

# 2023 PARTS AND SALES CATALOG



## Spray Advantage

*“EVERYTHING YOU NEED FOR FERTILIZER AND CHEMICAL APPLICATION”*



Local: 701-775-8089 Fax: 701-775-8217

Toll Free: 866-775-8089

[www.sprayadvantage.com](http://www.sprayadvantage.com)

# TERMS & CONDITIONS

## Special Information You Need to Know...

**Defective Material:** Our liability is limited to the value of the defective materials.

- \* Claims for damaged or expenses resulting from the use of any product furnished by or through Spray Advantage are not allowed.
- \* Parts furnished to Spray Advantage by other manufacturers for resale or assembly by the company is subject to the warranty of the manufacturer.
- \* Warranty claims will be processed by Spray Advantage under that suppliers company's warranty when items are returned to Spray Advantage.
- \* Freight charges are not covered under warranty policies.

**Returned Items:** If for any reason a return is necessary, please advise Spray Advantage in advance for the reason of the return.

**\*Returned goods must be in salable condition and be accompanied by an invoice or sales order.**

**\*Merchandise must be returned within 15 days or a restocking charge may be imposed.**

We reserve the right to treat any returns as store credit only.

**\* NON-STOCK or SPECIAL ORDER items are NONRETURNABLE.**

**\* NO RETURNS OF ANY CUT LENGTH OF HOSE.**

**\* 20% RESTOCKING FEE ON ALL ELECTRICAL COMPONENTS.**

**\* NO RETURNS AFTER 30 DAYS.**

**Credit and Billing:** Orders will ship on open account for customers that have prior approved credit status. All invoices 30 days past due will be subject to a service charge of 1-1/2% per month (18% Annual) on the unpaid balance until final payment is received.

All checks written in payment of merchandise must be made payable to Spray Advantage.

Credit for returns will be applied to original invoice and then to oldest open invoice.

Overpayment will be applied to oldest open invoice.

Major credit cards are accepted. (VISA, Mastercard, Discover & American Express.)

**Taxes:** Pricing in catalog does not include state or local tax.

Taxes will be charged unless an up-to-date/completed Certificate of Resale or Certificate of Exemption is on file with Spray Advantage.

**Shipping:** All prices within this catalog are FOB shipping point. Normally the shipping point is our warehouse, but we reserve the right to ship from other points at our discretion. Shipping charges are the responsibility of the customer. We ship Spee Dee Delivery, UPS and USPS.

**\* On all orders received before 3p.m., we will make every effort to ship them same day.**

**\* All orders received after 3p.m., will be shipped the next day.**

**NOTE:** Prices shown in this catalog are current to the best of our knowledge.

**However, prices may change at any time without notice or obligation.**

**PRICES CHARGED WILL BE CURRENT AT THE TIME OF SHIPMENT.**

**Not responsible for typographical errors.**

# TABLE OF CONTENTS

## CHECK VALVES

PVC CHECK VALVES

## CONTROL VALVES

MICRO-TRAK SERVO VALVE  
RAVEN CONTROL VALVES

## CONVEYORS & AUGERS

HUTCHINSON/MAYRATH

## CROPSAVERS

CROPSAVERS

## ELECTRONICS

AGCAM REAR VISION SYSTEM  
KB CENTER LOAD  
KB DRIVER LINX  
KB HARVEST MONITOR  
KB INJECTION MONITOR  
KB START/STOP SWITCH  
MICRO-TRAK CUSTOM SYSTEMS  
MICRO-TRAK MONITORS  
MICRO-TRAK NH3 CONTROLLERS  
MICRO-TRAK RATE CONTROLLERS  
MICRO-TRAK REPLACEMENT PARTS  
MICRO-TRAK ELECTRIC PUMP DRIVE  
OVERVIEW REAR VISION SYSTEM  
RAVEN CABLES & PARTS  
RAVEN CHEMICAL INJECTION  
RAVEN CONTROLLERS  
TIR CONTROLLER  
TEEJET/MIDTECH GPS PRODUCTS  
TEEJET CONTROLLERS & PARTS  
TEXAS INDUSTRIAL REMCOR  
VISION WORKS  
WILGER FLOW MONITOR

## FIRE NOZZLE

FIRE NOZZLE

## FITTINGS

CAM-LEVER COUPLERS ALUMINUM  
CAM-LEVER COUPLERS POLY  
GARDEN HOSE  
MANIFOLD - BANJO  
PIPE SEALERS  
POLY  
PUSH-ON TUBE  
SCHEDULE 80 POLY  
STAINLESS STEEL  
STEEL

## FLAGS FIELD MARKING

BIO & COLORED

## FLOW METERS

MICRO-TRAK  
RAVEN  
TEEJET

## FOAM MARKERS

FOAM MARKERS & PARTS

## FORMULAS

USEFUL FORMULAS & INFO

## GAUGES

ANHYDROUS AMMONIA  
BACKMOUNT  
GLYCERINE FILLED  
SPRAYER  
GAUGE ADAPTERS  
CHEMICAL ISOLATOR

## GRAIN CARTS & SEED TENDERS

87 MERIDIAN SEED TENDER  
J & M GRAIN CART

## HOSE

48 ANHYDROUS AMMONIA  
BRAIDED VINYL  
CHEMICAL TRANSFER  
DISCHARGE  
EVA TUBING  
LINEAR GAUGE TUBING  
PVC SPRAY  
RUBBER SPRAY  
10 SIGHT GAUGE  
SUCTION

## HOSE ACCESSORIES

5 HOSE REELS  
7 PLASTIC HOSE CLAMP  
8 T-BOLT HOSE CLAMP  
7 WORM GEAR HOSE CLAMP

## MISCELLANEOUS

38-39 AUTOBATCH METER  
31-32 DRY/LIQUID APPLICATOR  
35 TILLAGE TOOLS

## MICRO-MATIC COUPLERS

46 MACRO VALVE  
43-45, 82, 84 DRUM VALVE

## NH3

52-53 ACME ADAPTER  
55 ACME COUPLER  
16 PIONEER COUPLER  
42 RELIEF VALVE  
LIQUIFIER  
TORPEDO-HITCH  
211 TUBES & KNIVES  
216 VERTICAL DAM MANIFOLDS  
219 APPLICATION ACCESSORIES

## NOZZLE ACCESSORIES

67 ADAPTERS  
68-69 NOZZLE BODIES TEEJET  
62 NOZZLE BODIES QUICK TEEJET/PUSH-ON  
70-74 NOZZLE CLAMPS  
66 WILGER NOZZLE BODIES  
56-61  
88-89  
56-61  
56, 63-66  
56, 63-66

## PTO ADAPTERS

PTO ADAPTER

## PUMPS

11 CENTRIFUGAL PUMP-ACE  
CENTRIFUGAL PUMP-HYPRO  
CHEMICAL TRANSFER PUMP  
39 DEF PUMP  
47 DIAPHRAGM PUMP-HYPRO  
53 EVERFLO PUMP  
FUEL TRANSFER PUMP  
MANIFOLD  
11 ROLLER PUMP-HYPRO  
SHURFLO PUMP/PARTS  
TRANSFER PUMP-BANJO  
JOHN BLUE

## PUMP REPAIR PARTS

182-189 CENTRIFUGAL PARTS-ACE  
169-174 CENTRIFUGAL PARTS-HYPRO  
175-178 DIAPHRAGM PARTS-HYPRO  
161-165 ROLLER-HYPRO

## RADAR

55 MICRO-TRAK ASTRO  
RAVEN  
TEEJET

## RINSE NOZZLES

EDUCTOR NOZZLE  
JET RINSE  
RINSING NOZZLE-SPRAYING SYSTEMS

## SAFETY EQUIPMENT

220 COVERALLS  
221 GLOVES  
GOGGLES  
RESPIRATOR

## SPRAY ACCESSORIES

92 COVERALLS  
91 GLOVES  
93 GOGGLES  
92-93 JET RINSE  
89 PLANTER KITS  
90 RESPIRATOR  
91 WILGER FLOW TUBES  
90-91

## SPRAY GUNS

FIRE NOZZLE  
FUEL NOZZLE  
HYPRO GUN  
TEEJET GUNS & TIPS

## SPRAY TIPS

CAPS & GASKETS  
NITRO BARS  
ORIFICES  
SCREENS & STRAINERS  
TIPS-TEEJET  
TIPS-WILGER COMBO-JET

## SPRAYERS

ATV SPRAYER  
FIELD BOSS  
FIRE RANGER  
FOAM RANGER  
HAND SPRAYER  
LAWN SPRAYER  
MASTER GARDEN SPRAYER  
UTV SPRAYER

## STRAINERS

KLEEN FLO LAKE STRAINER  
LINE STRAINER-HYPRO  
MANIFOLD STRAINER-BANJO  
STRAINER-TEEJET  
T & Y STRAINER-BANJO

## TANKS

AGRI-PRODUCTS TRACTOR MOUNTED  
DEF TANK  
DEMCO TRACTOR MOUNTED  
DIESEL TANK  
INDUCTORS & ACCESSORIES  
NURSE TANK  
POLY TANK  
PORTABLE STORAGE  
SAFETY RINSE TANK  
TANK ACCESSORIES  
TRANSPORT  
BATCHMASTER

## TRAILER/FUELMATE

FUELMATE

## VALVES

12 VOLT CONTROL & SHUT-OFF  
BOOM CONTROL VALVE  
PRESSURE RELIEF & THROTTLING

## VALVES, BALL

BALL VALVE-BOLTED  
BALL VALVE-NORWESCO  
UNION VALVE  
BRASS VALVE  
ELECTRIC BALL VALVE-BANJO  
ELECTRIC SOLENOID  
MICRO VALVE  
STAINLESS STEEL BALL VALVE  
VALVE PARTS-BANJO



# NEW PRODUCTS

## HIGH-FLOW DURA-METER NOW AVAILABLE IN 2" & 3"



**DP-HFM2V (VITON) \$1,440.00 A**

**DP-HFM3V (VITON) \$1,750.00 A**

- \* The High-Flow Dura-Meter is made of impact resistant Lexan faceplate, so it holds up to the toughest treatment. It can also withstand impacts common in the agricultural market and beyond. Made with 100% moisture-sealed circuitry, the meter is impervious to water intrusion.
- \* This High-Flow meter can be calibrated to achieve +/- 0.5% accuracy and significantly reduce Straight Inlet/Outlet requirements. The (2) 9V batteries provide power that allows you to stay in the field longer. It is over-molded with Santoprene and filled with gel, so the face-plate has improved shock resistance.
- \* The High-Flow Dura-Meter uses an industry leading menu driven backlit display, so it is easiest of all chemical meters on the market to use in all light conditions. Also, it is plumbed both for in-line and 90 degree applications, adding to its versatility. 2" M220 manifold flanged meter body that allows for multiple plumbing options.
- \* In addition to the rich features, a 2 Year Maintenance Program and warranty come standard.

# NEW PRODUCTS



## Visum Fertilizer

### Wireless sensor for dry fertilizer and small grain monitoring

- \* Quick and easy installation
- \* Identifies row flow blockage
- \* Wireless with zero service parts
- \* Very little modifications to existing equipment
- \* Resistant to dust, dirt, water and corrosion

#### j.assy Monitor

Monitor up to 99 rows

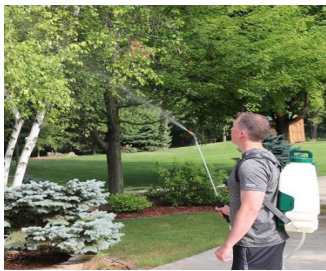
#### ISOBUS Display

You can plug it into your ISO display



\*\*\*CALL FOR PRICING AND SYSTEM DESIGN\*\*\*

## 4 GALLON BACKPACK SPOT SPRAYER



No pumping Or Wires



Enclosed Battery



Sturdy 4" Lid For Gun Storage/Transportation



Adjustable Shoulder Straps For Comfort

**BPS-REV401 \$130.00 P**

### Rechargeable Lithium-Ion Backpack Sprayer - Revolt Series

Designed for the homeowner & commercial user, this rechargeable lithium-ion sprayer is light as a feather & has incredible comfort with adjustable shoulder straps. No pumping or wires are required, making it more convenient than ever to move about with your spraying. Featuring and Everflo 1.0 GPM diaphragm pump that is isolated internally in backpack. Equipped with a standard pistol grip spray gun that goes from stream to mist, a sturdy 4" fill lid for gun storage and transportation, a translucent tank for easy filling, a 5' braided nylon hose for hard to reach areas, and an easy to reach lighted power switch. Approved for use with Round-Up and other agricultural brand herbicides and insecticides. Backed by a two-year warranty on pump & components.

Reach up to 18' vertically and 20' horizontally.





# KB PRODUCTS

## CENTER LOAD



KB-CL \$725.00 Y



- \* KB Manufacturing, LLC, has designed a new aid for loading trucks, carts or other vessels.
- \* The primary purpose is to more evenly place product for improved stability.
- \* Light indicators provide dual signals to both the loader and loadee.
- \* Every unit is measured with sonar prior to loading, establishing a customized center point.
- \* A green light illuminates when the optimal load is achieved. When the loading area is too far in or out, a red light will be illuminated.
- \* System is designed to help reduce operator fatigue and allow more attention on proper harvester settings.



Sensor is mounted on the loading equipment, such as a harvester. The sensor, along with microcontroller board, determine the distance for optimal placement for a centered load. ***This unit is used in conjunction with KBMFG patented Drive Linx System.*** This alerts the driver in the unit being loaded to move in the direction of the wireless display unit. The operator can adjust the distance and load zone from the comfort of their cab. This helps reduce operator stress and also helps maintain a safer, center loaded truck, cart or vessel.

Patent Pending.



## DRIVER LINX



### Wireless Direction Light

KB-LINX \$630.00 NET  
(1 Transmitter, 2 Receivers)



### Wireless External Light

KB-LINXEW \$585.00 NET  
(Wireless Light)

#### ADDITIONAL:

KB-LINXT \$250.00 NET (Transmitter)      KB-LINXR \$250.00 NET (Receiver)

KB-LINXEW/KIT \$835.00 NET  
(Wireless Light, 1 Transmitter)

#### FEATURES:

- \* Transmitter runs off of a 9-Volt battery.
- \* Easily transfer between equipment pieces.
- \* Visual light shows direction of movement desired.
- \* Mounts on dash for easy viewing.
- \* Receiver powered by plugging into a cigarette lighter.
- \* Units are small and install in minutes.
- \* Buzzer alarm to alert driver of a change.

#### PRODUCT USE:

Loading trucks, grain carts and beet carts for harvest.  
 Loading and unloading of railcars or trucks at elevators and warehouses.  
 Mining, highway departments, agriculture warehouses and many other loading and unloading facilities.  
 Communicating between two or more vehicles when visibility is obstructed

## “Taking you in the right direction”

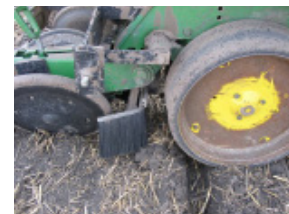
### BOX SCRAPER



KB-SCRAPER4      KB-SCRAPER6  
 4' \$1,325.00 NET      6' \$1,575.00 NET

Pull behind ATV or garden tractor.  
 Level or fill driveways, yards, beaches and riding arenas.  
 No hydraulics needed.  
 Easy to use controls.  
 Electric actuator raises and lowers scraper height.

### INSECTICIDE WINDSHIELD



KB-WS \$80.00 NET

Helps with proper placement of insecticide in the rows.  
 Field residue/lumps dirt flow through.  
 For John Deere and Monosem planters.



# KB PRODUCTS

## START-STOP APPLICATION SWITCH

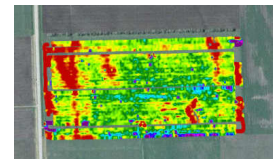


**KB-SC \$450.00 Y**

**Have you ever forgotten to flip a switch on th start an application of a product?  
Have you ever accidentally left the switch on?**

Reduce you chance on leaving a switch on and burning your crops. This motion activated switch starts the application of the product when your machinery starts moving. Application stops when you stop. An Override switch allows the operator to turn the system on when stopping to check flow to the rows or check calibration. A status light allows the operator to visually see when the system is in an active state or non-active state. Safe and easy to operate.

## HARVEST MONITOR



**KB-HARVESTM - CALL FOR PRICING**

The Harvest Monitor was developed to aid in the loading of trucks and also to see variability within the fields. The monitor tracks truck weights and can be tarred after each load.

KB Manufacturing has teamed up with GK Technology to combine software and hardware for a conveyor type yield monitor.

Now you can track and view areas of your field that are not as productive or areas that produce higher yields. Are the areas affected by water damage, disease issues, variety change, fertilizer change, plant populations, or other field conditions? Yield monitoring can validate some of the choices that you make.





## DIGITAL RPM MONITOR



### KB-SHAFT - CALL FOR PRICING

This unit will monitor up to 10 shafts. It will alert the operator of shaft speeds that have slowed down or stopped. The minimum shaft speeds can be set by the operator. If two or more shafts are below the set speed the alarm will sound for a few seconds and the alarm light will stay on. This feature allows for reducing the PTO speeds on the end of a pass with out a continuing alarm sound. The monitor can scan each channel and display the speed of each shaft.

## DIRECT INJECTION MONITOR



- \* Ability to monitor up to four platforms or products at the same time.
- \* Monitoring may be done by manual touch or automatic scan mode.
- \* Audible low-limit alarm to warn the operator of low products.
- \* LCD screen with back lighting for easy viewing.
- \* Optional product platforms that securely attach to sprayer.

### KB-INJECTIONM - CALL FOR PRICING

## Maximizing your yield starts by treating your seed.

### Dry Applicator

To obtain the best use of your treatments, you need to treat the seed as close to planting as possible. The CT Dry Powder Applicator does just that - it can be used in-field or while filling the seed tender. Our patented CT Dry Powder Applicator will meter talc, inoculants, graphite or any dry product evenly and accurately. This applicator applies your seed treatments in the field when you are ready to plant. The CT Dry Power Applicator can mount above an auger or conveyor and treats seeds just before they are planted. Seeds will be evenly coated as they travel to the planting devise. You can also purchase an auger system that will move the dry product from the applicator to the hopper before the seed enters the conveyor, auger or air delivery system. This system can also be set up to treat seed ahead of planting time.

<b>PART# CTDRY6-12</b> (6 gallon, 12-Volt)	<b>\$2,560.00 NET</b>
<b>PART# CTDRY6-110</b> (6 gallon, 110 motor)	<b>\$3,775.00 NET</b>
<b>PART# CTDRY14-110</b> (14 gallon, 110 motor)	<b>\$4,155.00 NET</b>
<b>PART# CTDRY21-110</b> (21 gallon, 110 motor)	<b>\$4,425.00 NET</b>



- \* hands free system
- \* Stainless steel cone
- \* Waterproof variable speed controller

### Liquid Applicator

To obtain the best use of your treatments, you need to treat the seed as close to planting as possible. The CT Liquid Applicator does just that - it can be used in-field or while filling the seed tender. Our CT Liquid Applicator can be used to evenly apply any liquid seed treatment that can be farmer applied or applied with applicable license. This applicator applies your seed treatments in the field when you are ready to plant.

<b>PART# CTLIQUID5</b> (5 gallon, 12-Volt)	<b>\$1,200.00 NET</b>
<b>PART# CTLIQUID10</b> (10 gallon, 12-Volt)	<b>\$1,410.00 NET</b>



- \* continuous agitation pump
- \* drain for easy clean out
- \* in-line clear bowl filter
- \* pressure gauge, adjustable ball valve and orifice for rate regulation

- \* **Dry and liquid applicators can be used separately or together**
- \* **Allow farmers to apply products needed at time of planting**
  - \* **Saves farmers labor, time and money**
  - \* **Can be used with any seed delivery system**



# Are you driving over your money?

## CROPSAVER ADVANTAGES:

- \* REDUCE TRAMPLING LOSS BY 80-90%
- \* A SET OF CROPDIVIDERS WILL PAY FOR THEMSELVES AFTER SPRAYING LESS THAN 1,000 ACRES
- \* CAN BE USED IN A VARIETY OF SOLID SEEDED AND ROW SEEDED CROPS
- \* SAVES FLAG LEAF DAMAGE WHEN SPRAYING FUNGICIDES AND HERBICIDES
- \* CAN ALSO BE USED FOR DESICCATING OR PREHARVEST BURN DOWN
- \* EASIER SWATHING, COMBINING AND TILLAGE WHEN GRAIN IS NOT TRAMPLED

## Tridekon has 6 Cropsaver Cone Models - All interchangeable



**Standard Narrow Cones**  
are the most commonly used.



**Standard Wide Cones**  
are for sprayers with wide tires.



**Chopped Cones**  
have the tops cut off for clearance on some sprayers.



**Short Cones**  
are recommended for the rear tires on articulating machines and models with clearance issues.



**Bean Cones**  
are designed to run low in the crop enabling it to get under vines. Recommended for beans and other row crop.



**Step Cones**  
are available for machines where the sprayer's ladder interferes with the Cropsaver.

## CALL FOR PRICING



# FOAM MARKERS



## SUPER MARKER FEATURES:

- \* 12V DC Operated
- \* 3-Position Switch Enclosed in Weatherproof Cover
  - \* Two Stage Foam Generation
  - \* Boom end Mounted Foam Chamber
- \* 150' delivery hose (FM14/FM25 Only)
- \* 4" Fluorescent Drop Boots for Visibility

PART#	DESCRIPTION	PRICE
FM-14	14 GALLON MARKER COMPLETE	999.00 A
FM-25	25 GALLON MARKER COMPLETE	1,020.60 A
FOAM	GALLON FOAM CONCENTRATE	66.50 Y
UNFOAMERG	GALLON ANTIFOAMING AGENT	62.00 NET
UNFOAMERQ	QUART ANTIFOAMING AGENT	33.25 NET
CFM1009	DROP BOOT ASSEMBLY Fm14 & Fm25	22.40 Y

## NON-PRESSURIZED SYSTEM SIMPLY ADD WATER AND FOAM CONCENTRATE



## FIELD MARKING FLAG



PART#	DESCRIPTION	PRICE
FFC	6' FIELD FLAG ORANGE w/9" x 11" PENNANT (1)	10.50 Y
FLAGBIO	WHITE BIODEGRADABLE WOODEN DOWEL (48)	34.00 Y
FLAGB	BLUE FIELD FLAG (100)	28.00 S
FLAGO	ORANGE FIELD FLAG (100)	28.00 S
FLAGW	WHITE FIELD FLAG (100)	28.00 S

# DEMCO TRACTOR MOUNTED TANKS

## SIDE MOUNT TANK UNITS FOR JOHN DEERE TRACK DRIVE TRACTORS



### FEATURES:

- \* Two 350 or 500 gallon high capacity side mount tanks with 16" fill-well.
- \* Better visibility - tanks are mounted longitudinal for superb visibility.
- \* Comfortable transport width.

## QUICK TACH IN-LINE SIDE MOUNT TANK UNITS



### FEATURES:

- \* Demco's in-line tanks are available in two sizes: 200 or 300 gallon capacities. They feature dual jet agitator, sump, molded sight gauge and fill-well with a no-splash cover. The 300 gallon tank has poly baffle.
- \* High clearance brackets allow for approximately 30" of ground clearance. TRANSPORT WIDTH: 16'6"

## 600 GALLON QUICK TACH - 4WD articulating tractor



### FEATURES:

- \* Two 300 gallon tanks. They feature dual jet agitation, sump, molded sight gauge and 12" fillwell with no-splash cover.
- \* High clearance brackets include saddles, tank bands, carrier brackets and all necessary bolts for a complete installation. 22-25" ground clearance. TRANSPORT WIDTH: 15'

## 400 & 500 GALLON REAR MOUNT SPRAYER UNITS

### FEATURES:

- \* 300, 400 or 500 gallon tank with jet agitation, molded sight gauge, sump and fillwell with no-splash cover.
- \* Rear mount brackets are complete with saddles, tank straps and all necessary bolts.
- \* Category 2 or 3 rear mount brackets may be used with "Quick Attach" three point hookup.
- \* Large convenient platform with safety rail and ladder for easy filling of tank.
- \* Retractable built in ground stand for storage when empty.
- \* A clean water tank is conveniently mounted on the rear mount unit.
- \* Available with single section electric control for disc spray kits or three section electric controls for boom spraying.



**CALL FOR PRICING**

# Agri-Products Inc.



## FEATURES:

- \* Parallel mounting of tanks allows for excellent cab visibility
- \* All steel components are powder coat paint
- \* Tank mounts are available to accommodate inboard and outboard trac tractors and tractors with front duals
- \* Front-mounted tanks are available on all wheeled tractors
- \* All tanks carry a 3-year limited warranty
- \* Manufacturer limitations and specs are taken into consideration in this design
- \* Tank mounts are also available for tractors with FRONT DUALS
- \* 500 gallon side mounts are available on some models

## CALL FOR PRICING

## FEATURES:

- \* These tanks are offered in 300-gallon only
- \* All steel components are powder coat painted
- \* 3-year limited warranty
- \* Actual mounting varies with different models
- \* Installation is simple and fast
- \* Manufacturer limitations and specs are taken into consideration in this design
- \* Front-mounted tanks are available on most tractors





The AgCam camera system is the most durable, dependable and user friendly camera system available to the agricultural, industrial and public works market today.

## SINGLE & DOUBLE CAMERA KITS



- \* 3.6mm AHD cameras - 1 Single, 2 Double
- \* 7" OR 9" LED Analog High Definition monitor w/4 camera inputs
- \* A total of 80' of power/video cable for each camera (1 - 60' & 1 - 20')
- \* Remote
- \* 12v cigarette lighter power adaptor
- \* A/C power adaptor

### 7" CAMERA KITS

PART# DMAC-H7C1 \$1,164.00 Y

PART# DMAC-H7C2 \$1,796.00 Y

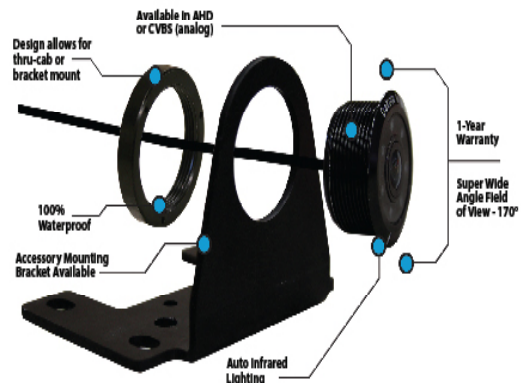
### 9" CAMERA KITS

PART# DMAC-H9C1 \$1,317.00 Y

PART# DMAC-H9C2 \$1,950.00 Y

## BOBCAT CAMERA KIT

- \* True HD Resolution (720P)
- \* 16:9 aspect ratio so image doesn't need to be "stretched" to match monitors
- \* Improved color & clarity over standard analog video cameras
- \* Increased ability to interpret shadowed areas, allowing for a large viewing area
- \* Built-in, high-quality CCD camera with high-performance lighting
- \* Auto on IR Lighting
- \* Standard camera lens features a 170\* wide angle horizontal field of view
- \* Kit includes 7" monitor w/bracket, 10' power video



PART# DMRZ-SH7C1 \$964.00 Y



## SINGLE & DOUBLE CAMERA KITS

As Dakota Micro's entry level camera system, OverView offers quality construction, versatility, and an impressive list of features with an affordable price tag.



- \* 2.9mm OverView Camera - 1 Single, 2 Double
- \* 7" OverView LED Backlit Monitor - Stand & Remote
- \* 20' of power/video cable for each camera
- \* 12v cigarette lighter power adaptor

### 7" CAMERA KITS

PART# DMOV-7M-C1 \$457.00 Y

PART# DMOV-7M-C2 \$649.00 Y

## OVERVIEW ALL IN ONE DIGITAL WIRELESS KIT

PART# DMOV-DW7MC2 \$667.00 Y



### INCLUDES:

- \* OverView 7in DIGITAL Wireless Monitor
- \* 2 - OverView Digital Wireless Cameras
- \* 12V Cigarette Lighter Power Adaptor
- \* 2 - 12V Hardwire Power Adaptor
- \* 3 - 5dBi Wireless Antennas

### FEATURES:

- \* BUILT IN *DIGITAL* WIRELESS ELIMINATES THE NEED FOR EXTRA COMPONENTS
- \* UP TO 1/4 MILE RANGE WITH LINE OF SIGHT
- \* VIEW CAMERAS ONE AT A TIME OR SIDE BY SIDE
- \* CAPABLE OF DISPLAYING 2 DIGITAL WIRELESS CAMERAS
- \* BUILT IN INFRARED NIGHT VISION ALLOWS FOR VIEWING UP TO 45+ FEET
- \* NOT INTERCHANGEABLE WITH DAKOTA MICRO ANALOG WIRELESS PRODUCTS





## 5" Monitor Complete Kit



**VWIC500-L \$199.00 Y**

5" Digital LCD monitor  
with suction cup mount.  
License plate cam and 30' cable.  
Great for backing up to  
trailers with your pick-up truck.

## 7" Monitor Complete Kit



**VWIC700 \$329.00 Y**

7" LCD Monitor.  
Durable camera w/magnet  
Larger screen and two camera inputs

## 10" Monitor Complete Kit



**VWIC104V2 \$729.00 Y**

2 Cameras w/magnets  
10" LCD Quad Monitor  
700 TVL Resolution  
IP 68 Durability Rating



**VWIC104V4 \$969.00 Y**

4 Cameras w/magnets  
10" LCD Quad Monitor  
700 TVL Resolution  
IP 68 Durability Rating

**ALSO AVAILABLE WIRELESS**

# ATV SPRAYERS

## ATV Kit



### FEATURES:

- Adjustable Boom
- TeeJet & Banjo Plumbing Parts
- 5.3GPM Remco 12V Pump
- Inline TeeJet Strainer to Protect Pump
- Spray Wand & 20' Hose
- Glycerin Filled Gauge & Pressure Regulator
- Drain Valve
- 20 Gallon Tank w/Sump
- 12' Boom

Part # ATVKIT-20/160 \$1,154.89 Y

## ATV Mini-Sprayer



### FEATURES:

- Commercial Quality
- 50 Gallon Low Profile Tru-Kleen Tank
- 16.5 x 6.5 x 8 High Flotation Turf Tires
- Tank has molded Anti-Vortex Baffles
- All Terrain Design
- Hose Reel, 50' Hose
- Spray Wand
- 12' Boom
- 4HP Honda w/22 GPM Centrifugal Pump

Part # ATVMINI \$3,096.07 Y

## ATV Maxi-Sprayer



### FEATURES:

- 110 or 150 Gallon Tank
- 20' or 30' Booms
- Walking Tandem Axles
- Axles Adjust for Row Spacing (60" - 80")
- Pull by a Small Utility Tractor or UTV
- 4HP Honda w/22.5GPM Centrifugal Pump
- Auto Boom Breakaway
- Adjustable Boom Height
- High Flotation Tires (20 x 20 x 8)
- Hose Reel & Spray Wand for Spot Spraying
- Optional - Electric Control

Part # ATVMAX-20 \$5,817.55 Y

Part # ATVMAX-30 \$6,189.86 Y

# DELUXE BROADCAST SPRAYER



## UTV Deluxe Broadcast Sprayer 50 Gallon

- \* 3.0 GPM EVERFLO Pump
- \* Deluxe Adjustable Spray Gun
- \* 15' Rubber Hose to Spray Gun
- \* Chemical Resistant polyethylene Tank
  - \* All Steel Frame and Boom
  - \* 10' Coverage
- \* 3 Section 6 Nozzle Folding Boom
- \* 12V Connection Cables Included

**Part# UTV50-620 \$890.00 Y**

# ATV, LAWN & TRAILER SPRAYERS



## ATV Sprayer 25 Gallon

- \* 7' Boom Standard
- \* Chemical Resistant polyethylene Tank
- \* 5" Fill Lid w/Tether
- \* Variable Pressure Regulator
- \* Adjustable Brackets for Perfect Boom Height
- \* 12V Connection Cables
- \* 18" lever Handgun w/15ft hose
- \* Adjustable Cone Spray Nozzle
- \* Ideal for applying Insecticides & Herbicides
- \* Round-up Ready
- \* 10' Boom Available

Part# ATV25      \$340.00 Y  
Part# ATV25-420      \$385.00 Y

## Lawn Sprayer 40 & 60 Gallon

- \* Chemical Resistant polyethylene Tank
- \* On-Off Boom Control
- \* 3 section folding break away boom
- \* 10' Boom Spray 40 Gal
- \* 12' Boom Spray 60 Gal
- \* Deluxe Handgun
- \* Adjustable Cone Spray Nozzle
- \* Ideal for applying Insecticides & Herbicides
- \* Round-up Ready

Part# LS40-620      \$815.00 Y  
Part# LS60-820      \$1,050.00 Y

## Trailer Sprayer 15 & 25 Gallon

- \* Chemical Resistant polyethylene Tank
- \* 5" Fill Lid w/Tether
- \* Steel powder coated frame w/10" pneumatic tires
- \* 80" Boom Spray Coverage
- \* 12V Connection Cables with switch
- \* 18" lever Handgun w/15ft hose
- \* Adjustable Cone Spray Nozzle
- \* Ideal for applying Insecticides & Herbicides
- \* Round-up Ready

Part# LS25ND      \$430.00 Y

# FIELD BOSS/BOOMS



## BOSS 365

SFB060FG225GH \$3,159.31 Y  
SFB100FG225GH \$3,293.23 Y

### New design 100% drain-able tank

Easily clean your tank to avoid mixing chemical when spraying.

### Easily load and unload your sprayer

Each Field Boss comes with integrated fork points for loading and unloading.

### Control your boom from your seat

The spring loaded control arm allows you to manage your boom options.



## XSTREAM

SFB060FG290EX \$3,722.62 Y  
SFB100FG290EX \$3,860.50 Y

### New automatic shut-off filter

You can now clean the filter at any time without having to empty the tank.

### Low profile tank for extra stability

Keep your liquid close to the ground to keep your center of gravity low.

### Heavy duty 100% poly hose reel

Easy to wind, this hose reel is constructed to withstand many years of rugged use.



## ECOLITE

SFB060FG712V \$2,623.56 Y  
SFB100FG712V \$2,808.71 Y

### Control your pump from your seat

Switch your pump off when it is not in use to reduce wearing.

### Attach any Enduraplas boom in minutes

You have boom spraying in mind, we have a quick and easy solution.

### 12 volt pump performance

If you're looking for a quiet, efficient pump option, this is your answer.

## attach any enduraplas boom in minutes



### POLY BOOM 13 Feet

ASBP13GY \$699.88 Y



### STEEL BOOM 12, 20, 26 & 30 Feet

ASBS12SS \$531.81 Y  
ASBS20SS \$991.40 Y  
ASBS26XKIT \$249.49 Y  
ASBS30XKIT \$318.54 Y



### BOOMLESS 24 & 30 Feet

ASBB24 \$177.27 Y  
ASBB30 \$353.22 Y



### RECEIVER HITCH AZFRH001 \$410.61 Y

# PICKUP/UTV SPRAYERS

## PRO MASTER 725



### FEATURES:

- 200, 250, 300 & 400 Gallon sump bottom tank for easy drainage
- high pressure honda pump
- adjustable spraying pattern

SPM200FG725	\$8,414.31 Y
SPM250FG725	\$8,485.23 Y
SPM300FG725	\$8,697.94 Y
SPM400FG725	\$8,768.85 Y

## PRO MASTER 580E



### FEATURES:

- 100, 200, 250, 300 & 400 Gallon space saving compact design
- complete with 100' of high pressure hose
- manual pressure regulator & gauge

SPM100FG580E	\$8,150.04 Y
SPM200FG580E	\$8,839.17 Y
SPM250FG580E	\$8,697.94 Y
SPM300FG580E	\$9,051.16 Y
SPM400FG580E	\$9,192.98 Y



## FIRE BOSS

### FEATURES:

- 60 & 100 Gallon
- easy wind hose reel
- compact space saving design
- Honda engine

SMFB060FG120GH	\$4,067.96 Y
SMFB100FG120GH	\$4,136.26 Y



## FIRE RANGER

### FEATURES:

- 250, 300 & 400 Gallon
- integrated quick fill system
- high flow fire nozzle
- slide into the back of your pickup

SMF250FG120GH	\$4,813.86 Y
SMF300FG120GH	\$5,513.70 Y
SMF400FG120GH	\$5,654.19 Y



## FOAM BOSS

### FEATURES:

- 60 & 100 Gallon
- frame includes integrated fork points
- use foam to suppress fire/using less water
- built in foam gauge to change amount of foam

SMFFB060FG120GH	\$4,867.14 Y
SMFFB100FG120GH	\$5,012.69 Y



## FOAM RANGER

### FEATURES:

- 250, 300 & 400 Gallon
- foam for creating long lasting fire breaks
- special air induction nozzle
- a built in foam tank and foam gauge

SMFF250FG120GH	\$6,759.81 Y
SMFF300FG120GH	\$7,022.43 Y
SMFF400FG120GH	\$7,423.65 Y

Other pull-type trailer sprayers available.  
Marshal Trailers & 12 Volt Trailers also available.



# NURSE TRAILERS



**PIN MOUNTED NURSE TRAILER**

**STANDARD BENEFITS:**

- \*Long lasting powder coat finish on steel
- \*Thick tank sidewalls provide superior strength
- \*Pin-mounted tank system eliminates wear point on tank
- \*Heavy Duty 2" x 6" tube steel frame on 800 & 1000 gallon trailers
- \*Heavy Duty 2" x 8" tube steel frame on 1600 gallon trailers



**CONE BOTTOM NURSE TRAILER**

**STANDARD BENEFITS:**

- \*15 degree cone-bottom for total evacuation
- \*Heavy Duty 2" x 6" tubular steel frame
- \*Long-lasting powder coat finish on steel
- \*Ribbed sidewall tank for extra strength
- \*Green color deters algae growth
- \*Slipper-spring suspension using leaf springs for smoother ride



**TRAILER SHOWN INCLUDES:  
4' EXTENDED WOODEN DECK,  
MIXING CONE KIT,  
PUMP KIT & PUMP COVER**

## CALL FOR PRICING



# TRANSPORTABLE STORAGE TRAILERS

A perfect portable storage solution for someone that requires liquid in different spots at different times. With new design features, these cone trailers offer a range of user-friendly benefits.

Available in double and triple cone tanks.

- \* Industry leading Ribbed Wall tank warranty.  
You can depend on each Ribbed Wall tank to work as hard as you do.
- \* Unique jacking system.  
Ergonomic jack height with center pull hydraulic ram.
- \* Heavy duty power coated frame.  
Extra strong tube frame with built-in hose storage brackets.
- \* A complete drainage system.  
Pump position allows you to fully drain all hoses.



CALL FOR PRICING

# FREESTANDING TRANSPORT TANKS



### LIFTING-LUGS

Built-in and engineered to take the \*weight of the tank, these make lifting the tank on and off the trailer a breeze.

### THICK-WALL DESIGN

Extra-thick walls provide unmatched strength and durability.

### PIN-MOUNT SYSTEM

The molded-in mounting lugs combined with heavy-duty steel pins will keep this tank fixed without movement. No hoops. No bands. No maintenance.



These freestanding Transport Tanks feature horizontal legs and are widely considered the most secure transport tank in the market. With the Pin-Mount advantage, these tanks are secured with double the number of fasteners than other tanks for similar use.

Available in sizes:  
110 gallon to 4,500 gallon.

4 colors to choose from  
Green & Black are standard  
Yellow & White are special order.

### ANTI-SPLASH STAINLESS LID

Lockable and spill-proof, this lid keeps liquid in while traveling on rough terrain. (Only on tanks 1,600 gallons and larger).

### SINGLE-PIECE CONSTRUCTION

Rotationally-molded in a single mold means the tank is seamless, water-tight and leak-proof.

### AUTO-DRAIN SUMP BASE

The sloped tank base channels every ounce of liquid to the drain. Just where it should go.

CALL FOR PRICING



# POLY TANKS

## FLAT BOTTOM, CONE BOTTOM

Enduraplas **Flat Bottom Storage** tanks use high-quality polyethylene and are built to store liquids like water, liquid fertilizer, waste vegetable oil, agricultural chemicals, liquid feed, industrial chemicals and more. These tanks are designed for indoor and outdoor applications and are easy and cost-effective to install.



FLAT BOTTOM STORAGE				
PART#	GALLONS	CAPACITY	H x D	PRICE
THV1000	1,000	1,000	65 x 80	1,485.26 Y
THV1550	1,550	1,700	80 x 85	1,807.82 Y
THV1650	1,650	1,731	75 x 90	1,985.13 Y
THV1750	1,750	2,009	92 x 85	2,088.22 Y
THV2000	2,000	2,276	93 x 90	2,551.02 Y
THV2100	2,100	2,208	100 x 85	2,551.02 Y
THV2500	2,500	2,680	113 x 90	2,913.77 Y
THV3000	3,000	3,126	125 x 90	3,570.36 Y
THV05000	5,000	5,500	150 x 110	7,370.60 Y
THV6000	6,000	6,500	179 x 110	10,180.85 Y
THV7011	7,011	7,011	126 x 144	10,484.32 Y
THV08000	8,000	8,150	142 x 144	13,569.11 Y
THV10000	10,000	10,400	178 x 144	16,303.46 Y



**FEATURES:**

UV STABILIZED POLYETHYLENE  
 STRONG LID STRUCTURE/VENTED  
 SUITABLE FOR LIQUID FERTILIZER  
 4 POSITIVE TIE DOWN POINTS  
 MOLDED IN CALIBRATION  
 2" STANDARD FITTING (1000 - 2500)  
 3" STANDARD FITTING (3000 - 10000)

**TANK COLORS:**  
 GREEN & BLACK STANDARD  
 YELLOW & WHITE UPON REQUEST

Enduraplas **Cone Bottom Storage** tanks range in capacity from 550 to 10,000 gallons. They feature heavy-duty plastic construction, durable steel frame, four positive tie down points and a 15-degree conical bottom that can be emptied quickly. We also offer trailer configurations for portable cone-bottom tank storage.

CONE BOTTOM W/STAND				
PART#	GALLONS	CAPACITY	H x D	PRICE
THC01550K	1,550	1,550	95 x 85	4,288.37 Y
THC02500K	2,500	2,680	130 x 90	6,301.84 Y
THC03000K	3,000	3,126	146 x 90	6,958.42 Y
THC05000K	5,000	5,500	89 x 85	12,059.05 Y
THC10000K	10,000	10,400	93 x 90	25,711.12 Y



PRICING ON ALL POLY TANKS ARE SUBJECT TO CHANGE, PLEASE CALL FOR CURRENT PRICING AND AVAILABILITY



# POLY TANKS FREESTANDING, LEG

Enduraplas **Freestanding Transport** tanks are widely considered the most secure transport tank in the market. With the Pin Mount advantage, these tanks are secured with double the number of fasteners than other tanks for similar use.



FREESTANDING				
PART#	GALLONS	CAPACITY	L x W x H	PRICE
THF01600	1600	1600	130 x 71 x 59	4,517.80 Y
THF02200	2200	2200	130 x 71 x 72	6,449.84 Y
THF02500	2500	2500	130 x 87 x 75	8,128.22 Y
THF03200	3200	3200	145 x 97 x 79	9,237.65 Y
THF04500	4500	4500	179 x 95 x 84	14,577.48 Y



LEG			
PART#	GALLON	D x L	PRICE
LT-15S	15	14x30	127.69 A
LT-25S	25	16x34	134.64 A
LT-65W	65	24x39	286.01 A
LT-70W	70**	24x39	329.47 A
LT-125W	125	32x44	466.97 A
LT-165W	165	32x54	577.05 A
LT-225W	225	38x52	666.26 A
LT-335W	335	44x56	811.35 A
LT-535W	535	48x78	1,301.67 A

S = SUMP W = WITHOUT SUMP

PRICING ON ALL POLY TANKS ARE SUBJECT TO CHANGE, PLEASE CALL FOR CURRENT PRICING AND AVAILABILITY

# POLY TANKS

## ELLIPTICAL, HORIZONTAL, VERTICAL & PICK-UP

ELLIPTICAL			
PART#	GALLONS	WxLxH	PRICE
ET-200	200	41x66x26	647.71 A
ET-300	300	48x70x30	819.41 A
ET-400	400	57x70x36	910.29 A
ET-500	500	57x82x36	1,130.46 A
ET-750	750	69x89x42	1,532.30 A
ET-850	850	69x89x46	1,738.10 A
ET-1000	1000	78x90x49	1,954.09 A



CRADLES FOR ET		
PART#	BANDS	PRICE
CET-200	3" x 61"	568.23 A
CET-300	3" x 74"	648.97 A
CET-400	4" x 88"	757.97 A
CET-500	4" x 88"	875.54 A
CET-750	4" x 91"	1,420.48 A
CET-850	4" x 99"	1,428.63 A
CET-1000	4" x 105"	1,940.87 A

HORIZONTAL			
PART#	GALLONS	D x L	PRICE
HT-25	25	23x22	144.95 A
HT-55	55	23x38	215.66 A
HT-95	95	24x56	347.99 A
HT-110	110	30x44	353.98 A
HT-15032	150	32x52	435.26 A
HT-20032	200	32x68	517.46 A
HT-20038	200	38x51	517.46 A
HT-300	300	38x76	663.05 A
HT-500	500	48x79	901.79 A



CRADLES FOR HT		
PART#	BANDS	PRICE
CHT-25	1.5" x 50"	112.01 A
CHT-55	2" x 50.5"	122.56 A
CHT-95	2" x 51.5"	216.33 A
CHT-110	2.75" x 60"	245.66 A
CHT-150	2.75" x 56"	342.87 A
CHT-20032	2.75" x 57"	498.72 A
CHT-20038	2.75" x 65"	474.80 A
CHT-300	2.75" x 69.5"	573.42 A
CHT-500	2.75" x 86.5"	698.65 A



VERTICAL			
PART#	GALLONS	D x H	PRICE
VT-65	65	23x42	229.29 A
VT-100	100	28x45	330.95 A
VT-110	110	32x41	344.69 A
VT-175	175	31x61	425.68 A
VT-225	225	31x76	566.84 A
VT-265	265	31x88	620.97 A
VT-300	300	42x55	606.75 A
VT-425	425	42x75	781.62 A
VT-550	550	52x66	887.31 A

PICK-UP TANKS			
PART#	GALLON	W x H	PRICE
PUT-200	200	52x30	426.11 A
PUT-305	305 LP	60 x 58 x 30	709.66 A
PUT-350	350	62x34	649.39 A
PUT-450	450	62 x 41	756.66 A

TANK CLEANER & NEUTRALIZER		
PART#	DESCRIPTION	PRICE
ALLCLEAR	DECONTAMINATOR GAL	34.75 NET
CUTRINE	ALGAECIDE GAL	17.50 Y

PRICING ON ALL POLY TANKS ARE SUBJECT TO CHANGE, PLEASE CALL FOR CURRENT PRICING AND AVAILABILITY



# INDUCTORS & RINSE TANK

**“KIT INCLUDES - 2” FITTINGS”**

1-Close Nipple, 2 Hose Barbs,  
1-Threaded Tee & Valve



**FULL DRAIN INDUCTOR TANKS  
NO BULKHEAD FITTING MEANS  
COMPLETE TANK DRAINAGE.**

INDUCTORS		
PART#	DESCRIPTION	PRICE
ATK-15	15 GAL TANK (1-1/2")	143.29 A
ATKS-15	15 GAL STAND	124.97 A
ATK15KIT	15 GAL KIT	332.25 A
ATK-30	30 GAL TANK (1-1/2")	185.15 A
ATKS-30/55	30 GAL STAND	132.60 A
ATK30KIT	30 GAL KIT	379.38 A
ATK-40	40 GAL TANK (2")	261.47 A
ATKS-40/85	40 GAL STAND	230.78 A
ATKTS-40/85	40 GAL TALL STAND	247.62 A
ATK40KIT	40 GAL KIT	542.00 A
ATK-55	55 GAL TANK (1-1/2")	241.91 A
ATKS-30/55	55 GAL STAND	132.60 A
ATK55KIT	55 GAL KIT	433.44 A
ATK-60MAG	60 GAL MAG TANK (2")	285.39 A
ATKS-40/85	60 GAL MAG STAND	230.78 A
ATKTS-40/85	60 GAL TALL MAG STAND	247.62 A
ATK60MAGKIT	60 GAL MAG KIT	564.75 A
ATK-85	85 GAL TANK (2")	341.40 A
ATKS-40/85	85 GAL STAND	230.78 A
ATKTS-40/85	85 GAL TALL STAND	247.62 A
ATK85KIT	85 GAL KIT	622.05 A
ATK-110	110 GAL TANK (2")	402.09 A
ATKS-110	110 GAL STAND	230.78 A
ATK110KIT	110 GAL KIT	679.85 A
TKI (12V)	20 GAL INOCULATOR 12V	756.22 A
TKI-115V	20 GAL INOCULATOR 115V	856.22 A

## RINSE TANK



RT-9-KIT (SHOWN)

RINSE TANKS		
PART#	DESCRIPTION	PRICE
RT-2.5	2.5 Gal Rinse Tank	64.25 A
RT-3	3 Gal Rinse Tank	66.90 A
RT-4	4 Gal Rinse Tank	99.84 A
RT-5	5 Gal Rinse Tank	99.48 A
RT-9-KIT	9 Gal Tank/Valve/Compartment	145.60 A
RT-10	10 Gal Rinse Tank	137.88 A
RT-20	20 Gal Rinse Tank	141.37 A
RT-35	35 Gal Rinse Tank	178.37 A
RT-56	56 Gal Rinse Tank	246.07 A

PRICING ON ALL POLY TANKS ARE SUBJECT TO CHANGE, PLEASE CALL FOR CURRENT PRICING AND AVAILABILITY

# TANK ACCESSORIES

POLY TANK LIDS		
PART#	DESCRIPTION	PRICE
60002	8" w/AIR VENT	23.47 S
60003	8" RING ONLY	10.71 S
60011	16" w/AIR VENT	42.40 S
60012	16" RING ONLY	13.41 S
60019	4" w/AIR VENT (AIR VENT FOR 16" LID)	17.76 S
60032	8" w/RING & AIR VENT	32.86 S
60038	16" w/RING & AIR VENT	50.21 S
60322	5" w/BALL CHECK AIR VENT (Prior 2/1/00)	17.76 S
60365	16" VENTLESS	46.33 S
60367	16" VENTLESS w/RING	52.18 S
61727	AIR VENT FOR 8" ONLY (snap on)	7.96 S
62531	LANYARD	1.78 S
62532	16" HINGED w/RING & AIR VENT	154.57 S



POLY BULKHEAD FITTINGS				
PART#	DESCRIPTION	HOLE SIZE	PRICE	
BHF12	1/2" BULKHEAD	1-5/8"	11.94 D	
BHF34	3/4" BULKHEAD	1-5/8"	11.94 D	
BHF100	1" BULKHEAD	2-1/4"	14.20 D	
BHF114	1-1/4" BULKHEAD	2-1/4"	16.54 D	
BHF112	1-1/2" BULKHEAD	3"	25.44 D	
BHF200	2" BULKHEAD	3"	25.44 D	
BHF220	2" FP BULKHEAD	3-1/4"	32.54 D	
BHF300	3" BULKHEAD	4-1/2"	54.51 D	
MTF220BD	2" MANIFOLD FLANGE	3-1/4"	35.83 D	
MTF300BD	3" MANIFOLD FLANGE	4-1/4"	61.10 D	
62834	1/2" HD DOUBLE THREAD BULKHEAD	1-7/16"	9.07 S	
60401	3/4" DOUBLE THREAD BULKHEAD	1-7/16"	7.10 S	
62798	3/4" HD DOUBLE THREAD BULKHEAD	1-5/8"	9.43 S	
60427	1" DOUBLE THREAD BULKHEAD	2-1/4"	9.07 S	
60403	1-1/4" DOUBLE THREAD BULKHEAD	2-1/4"	8.89 S	
63065	1-1/4" ANIT-VORTEX BULKHEAD	2-1/4"	11.35 S	
60124	1-1/2" DOUBLE THREAD BULKHEAD	3"	13.61 S	
60405	2" DOUBLE THREAD BULKHEAD	3"	12.95 S	



POLY SIPHON TUBES		
PART#	DESCRIPTION	PRICE
BHST200	2" SIPHON TUBE	25.85 D
BHST300	3" SIPHON TUBE	38.21 D



# TANK ACCESSORIES

VORTEX CAP			
PART#	DESCRIPTION	HOLE SIZE	PRICE
VC230	2" ANTI VORTEX W/12 MESH SCREEN	2"	23.18 D
VC330	3" ANTI VORTEX W/10 MESH SCREEN	3"	39.21 D
TF100AV	1" ANTI VORTEX TANK FLANGES	2-1/4"	31.16 D
TF125AV	1-1/4" ANTI VORTEX TANK FLANGES	2-1/4"	31.16 D
TF150AV	1-1/2" ANTI VORTEX TANK FLANGES	3"	38.98 D
TF200AV	2" ANTI VORTEX TANK FLANGES	3"	38.98 D



BUTRESS X MALE ADAPTER		
PART#	DESCRIPTION	PRICE
TA283	2" Butress x 2" Male NPT w/Santoprene Gasket	25.57 D
TA283QD	2" Butress x 2" Male Adapter QDC w/Santoprene Gasket	19.90 D

POLY SWIVEL		
PART#	DESCRIPTION	PRICE
BSW100	1" SWIVEL	18.18 D
BSW150	1-1/2" SWIVEL	22.26 D
BSW200	2" SWIVEL	24.94 D
BSW220	2" FP SWIVEL	41.53 D



POLY DRUM FAUCET		
PART#	DESCRIPTION	PRICE
D1050	3/4" FAUCET	6.05 R
D1050-2	2" FAUCET	40.95 R



WATER CONTROL VALVES		
PART#	DESCRIPTION	PRICE
HVFLOAT	1" WATER LEVEL VALVE 8-140 PSI 1" FPT	40.50 R
HVKIT	TANK FLOAT KIT	60.50 R
P09	HV REPLACEMENT SCREEN	4.50 NET
K4	HV REPAIR KIT	17.95 NET
RJV20-HF-LP	3/4" FLOW ROJO FLOAT VALVE	69.75 Y



POLY MANIFOLD		
PART#	DESCRIPTION	PRICE
TM075/050	8 Station Manifold 3/4" Inlet x 1/2" Outlet, Gauge Port	44.58 D

TANK REPAIR		
PART#	DESCRIPTION	PRICE
60221	POLY WELDING GUN & ROD	421.31 S
61879	POLY WELDING ROD - 30'	88.91 S



# ***RECIRCULATING BATCH MASTER***

\*\* Ideal for mixing DRY chemical

- 3 point recirculating tank
- 2" or 3" plumbing options

**Pump sold separately**



PART#	GALLONS
BatchMaster65	65
BatchMaster100	100
BatchMaster200	200

**CALL FOR PRICING**

## ***INDUCTOR ACCESSORIES***



1. **Cone Rinse** - washes chemical out of ENTIRE tank
2. **Anti-Vortex Plate** - eliminates swirl in tank
3. **Jug Rinse** - leaves no wasted chemical in chemical tank
4. **Tank Agitation** - evenly mixes chemical
5. **Jug Cutter** - stainless steel blade used to open, empty and rinse chemical container (16" lid required)
6. **Rinse Valves** - Top (a) - Cone Rinse, Bottom (b) - Jug Rinse

# BLOCKAGE MONITOR



## SAFEGUARD HAS YOUR BACK

Applying liquid fertilizer used to be a pain in the neck. Not anymore. You no longer have to watch your back for application blockages.

With SafeGuard's in-cab audible alarm and visual display, you'll instantly hear and see what you've been missing. SafeGuard's around-the-clock protection continuously monitors your application. SafeGuard instantly informs you of liquid blockages and pinpoints their location, arming you with the knowledge and power to fix them immediately to stop yield reduction and profit loss dead in their tracks. Take back control of your application and put more dollars in your pocket.

## CALL FOR PRICING





# MICRO-TRAK MONITORS

## SHAFT-TRAK



Monitors up to 6 independent shafts simultaneously, or up to 6 lin level sensors or a combination of up to 3 shaft and 3 bin levels.

### FEATURES:

PART#	# SHAFTS	PRICE
01323	0	672.00 R
01330	1	749.00 R
01331	2	859.00 R
01332	3	905.00 R
01333	4	978.00 R
01334	5	1,057.00 R
01335	6	1,130.00 R

- \*The simplest of all monitors - simply install sensors and turn on power settings or calibration are required
- \*Immediate notification when shaft RPM drops below 45 or level in the bin drops below the bin level sensor
- \*Standard with Hall-effect (non-mechanical) magnetic shaft speed sensor
- \*Visual and audible alarms
- \*Eliminate unseeded areas
- \*Save money and time by seeding once
- \*Avoid embarrassing and costly skips

## DUAL ISOMOD - RATE CONTROLLER FOR ISOBUS

Flexible, powerful, automatic rate controller - features Single or Dual channel control and multi-section capabilities. It is ISOBUS ready, connecting easily to existing control systems and utilizing an in-cab ISO terminal for setup and control.

- \* Advanced rate control combined with flexible channel configuration options - choose from Normal, Parallel and Injection modes.
- \* Powerful Multifunction outputs to control on/off valve for Master, Relief, Flow Trigger or Flush functions.

Designed from the ground up to meet the unique needs of today's precision farmers.

**Part# 01845 \$2,366.00 R**

Dual ISOmod kit - Single Product Rate Control  
(Includes: module, power cable & channel 1 cable)

**Part# 01993 \$2,630.00 R**

Dual ISOmod kit - Dual Product Rate Control  
(Includes: module, power cable & Channel 1 & 2 cables)



PART#	ISOmod Kit Parts	PRICE
19667	Dual ISOmod Module	2,107.00 R
19604	Dual ISOmod Bulkhead Harness 2'	671.05 R
19605	Dual ISOmod Channel 1 Branch Cable 10'	314.64 R
19606	Dual ISOmod Channel 2 Branch Cable 10'	314.00 R
19669	Dual ISOmod 6-section Branch Cable 10'	316.00 R
19670	Dual ISOmod 12-section Branch Cable 10'	574.00 R



**MICRO-TRAK<sup>®</sup>**  
SYSTEMS, INC.

# AUTOMATIC RATE CONTROLLERS



## SPRAYMATE II

PART# 01340 \$2,157.00 R

## SPRAYMATE Plus

PART# 01352 \$2,632.00 R



### FEATURES :

- \*All-in-one design with built-in controls for up to 3 separate boom sections
- \*Master control switch standard
- \*Standard On/Off power switch
- \*Flash memory for simple customizing
- \*Bulit-in capability for future VRA
- \*Added NH3 and Turf units
- \*Records area and volume in 3 independent pairs of counters so individual jobs may be tracked
- \*Tank counter shows amount remaining in tank
- \*Enhanced reliability, precision and accuracy
- \*Inline/bypass for servos
- \*Troubleshooting enhancements including “No Speed” and “No Flow” messages
- \*On-the-go rate adjustment
- \*Push-button auto/manual feature for spot treatments
- \*Minimum flow feature to ensure proper application pattern as ground speed slows to extremes
- \*Precise rate control regardless of field condition
- \*Solenoid and ball valve compatible
- \*Flow-based control
- \*Controls electric and hydraulic valves/motors
- \*NH3 compatible

# CALC-AN-ACRE II

### FEATURES:

- \*Accurate Speed, Area and Distance Measurement
- \*Includes Hall-effect speed sensor, mounting hardware and weatherproof connections
- \*Wide range of use - sprayers, tractors, ATV's, trucks, floaters, etc.
- \*Provides improved chemical efficiency and accuracy
- \*Area Per Hour & Accumulated Hour functions to track progress, plan work, and schedule maintenance
- \*Width Reduction function to measure the effective area of active boom sections
- \*Provides shaft RPM readout (with optional Shaft Sensor Kit)
- \*Push-button run/hold
- \*Distance measurement
- \*3 independent area counters
- \*Displays true ground speed to 1/10 mph



PART# 01000 \$588.00 R



# Plus SERIES

## AUTOMATIC RATE CONTROLLERS



**RATEKING Plus**

PART# 01878 \$1,801.00 R



**RATEKING DUAL Plus**

PART# 01899 \$3,074.00 R

### New and Expanded Features

- \* Flow or Pressure Based Control
  - \* Pressure Monitoring
- \* PWM or Servo Control to accommodate different PWM devices
- \* Adjustable PWM Minimum and Maximum Pulse Width to prevent motor stalling or over pressure
  - \* Multifunction Output can be set to Control an On/Off Valve for Master, Relief, Flow Trigger or flush functions
  - \* Closed or Open Loop Control offer the option of running without a flowmeter
- \* Custom Data Position offers the ability to monitor VRA activity or live PWM activity
  - \* Calibration Lockout prevents inadvertent Calibration changes
    - \* Selectable Control Valve Polarity
    - \* Selectable Section Valve Polarity
    - \* Rate Error LED
  - \* Selectable Rate Alarm Percentage
  - \* Selected Hold State
- \* Dedicated Increase/Decrease Rate Buttons
  - \* Three-Way Section Valve Control
  - \* Selectable Start & Speed Time

# AUTOMATIC NH3 RATE CONTROLLERS

Designed specifically to control anhydrous ammonia.

**MT-NH3 II**

**FEATURES:**

- \*Built-in capability for future VRA
- \*Records area and volume in 3 independent pairs of counters so individual jobs may be tracked
- \*Enhanced reliability, precision and accuracy
- \*Troubleshooting enhancements including “No Speed” and “No Flow” messages
- \*Provides a complete picture of critical application functions and an accurate record of work performed
- \*Includes console/main valve ON/OFF switch with safety lock
- \*Application Rate Actual “N” - Displays the amount of actual “N” applied per unit area
- \*Flow Rate - Displays the amount of NH3 applied per minute
- \*Total NH3 - Records the total amount of NH3 applied (3 counters)
- \*Area Per Hour - Tracks work progress
- \*Ground Speed



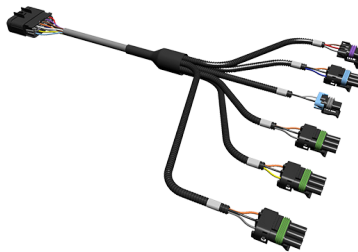
**PART# 01144 \$1,467.00 R**

## DirectConnect KITS

Micro-Trak’s Liquid and NH3 Kits are now **COMPLETELY** compatible with all Major controllers in the industry.

---Easily connect your Micro-Trak system to---

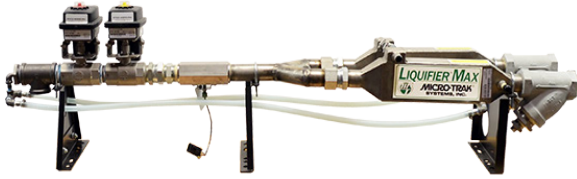
- |            |              |
|------------|--------------|
| * Topcon   | * John Deere |
| * Trimble  | * Raven      |
| * AgLeader | * Case       |



Micro-Trak is constantly growing our compatibility list. If you do not see your brand, simply give us a call for the latest list available.



## LIQUIFIER MAX



**Specifications:**

- \*70 GPM @ 100 psi Tank Pressure  
(21,000 lbs NH3/hr)
- \*40 GPM @ 40 psi Tank Pressure  
(12,000 lbs NH3/hr)

**Features:**

- \*High capacity stainless steel heat exchanger rated up to 21,000 lbs NH3/hr
- \*Extended application window means superior performance even in extremely cold weather
- \*Increased capacity - Colder Temps - Larger Toolbars

## LIQUIFIER



**Specification:**

- \*40 GPM @ 100 psi Tank Pressure  
(12,000 lbs NH3/hr)
- \*25 GPM @ 40 psi Tank Pressure  
(7,500 lbs NH3/hr)

**Feature:**

- \*Stainless steel heat exchanger rated up to 12,000 lbs NH3/hr
- \*Straight-through design means superior performance even in extremely cold weather

# CALL FOR PRICING

## LIQUIFIER JUNIOR



**Specifications:**

- \*23 GPM at 100 psi Tank Pressure  
(6,000 lbs NH3/hr)
- \*15 GPM at 40 psi Tank Pressure  
(3,750 lbs NH3/hr)

**Features:**

- \*Stainless steel heat exchanger rated up to 6,000 lbs NH3/hr
- \*Economically priced
- \*Compact design

**NH3500 Low Rate Kit Available:**

- \*Stainless steel heat exchange rated for 600 to 2800 lbs NH3/hr

## LIQUIFIER ULTRA LOW RATE



**Specifications:**

- \*11 GPM @ 100 psi Tank Pressure

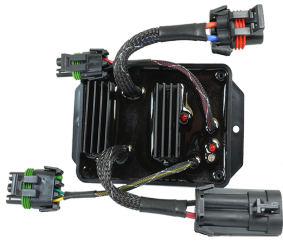
**Features:**

- \*Stainless steel heat exchanger rated for 600 to 2800\*\* lbs NH3/hr
- \*\*Delivery rates are dependent on tank pressure and plumbing



**MICRO-TRAK<sup>®</sup>**  
SYSTEMS, INC.

## 12-Volt Pump Flow Control



PART# 01757 \$1,321.00 R  
STANDARD  
PART# 01758 \$1,321.00 R  
PWM

The Electric Motor Drive (EMD) enables all of our rate controllers, SpayMate II, MT-2405F II, SprayMate Plus, RateKing Plus, RateKing Dual Plus and RoadMaster, to control the rate of flow by regulating the speed of a 12 volt pump. It can also be integrated into most major-brand control systems.

**Precise, accurate and effective control** of application rate is accomplished with the EMD. It is ideal for controlling low-rate starter fertilizer and seed drills and planters.

The EMD replaces the electric servo valve and will control most 12v pumps with up to a max of 40 amps.

The system can be purchased as a part of a customized kit complete with control console, speed sensor and flowmeter, or if you presently own one of the controllers listed above, you can just add the EMD Kit and use your existing console and components.

**Installation is easy;** install on your planter sprayer set up or custom ATV.

## Astro GPS Speed Sensors



PART# 01410 Astro II \$506.00 R  
PART# 01425 Astro 5 \$676.00 R

**Two models to choose from:  
the economic Astro II or super-fast Astro 5**

### Great Price. Compact. Accurate. Durable.

- \* The Astro GPS Speed Sensors are a direct replacement for magnetic wheel speed sensors or radar guns and can interface to most brands of monitors and controllers.
- \* The magnetic mount bracket is standard and allows for quick installation and easy transfer from one vehicle to another. Optional vacuum mount kits available.
- \* Not affected by crop canopies or adverse ground conditions.
- \* Improve productivity and efficiency!

### The Astro includes 2 red status lights on the interface module:

- \* **POWER:** turns on when power is applied to the unit.
- \* **VALID GPS:** blinks when the GPS receiver is working but has not yet acquired satellites.

## MC-25 MANUAL CONTROLLER

PART# 01068 \$592.00 R



### Applications:

- \* Control motor speed on any 12-volt pump to vary output
- \* Provides accuracy over a wide range of RPM's
- \* Used for low volume starter fertilizer on drills and planters

### Features:

- \* Manual Speed Control for 12-Volt Pumps
- \* Built-in circuit breaker
- \* Available with or without pressure gauge bracket
- \* Mounts in the tractor cab for easy access
- \* On/Off Control Switch with power indicator lamp
- \* 10' and 20' Motor Extension Cables Available



## At-plant Electric System Control

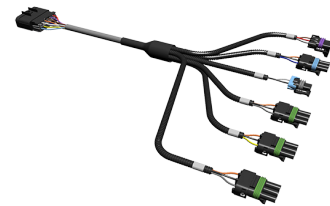
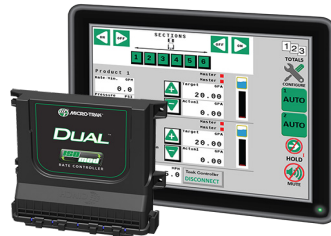
- \* Precision control, simplified plumbing and maximum range
- \* Reduce unexpected maintenance on your planters liquid system
- \* 2 products can be controlled with single controller
- \*\*All with the ease of electric pumps

### Choose your controller

- single or dual product Plus Series Controller
- DUAL ISOmod Controller
- DirectConnect Interface to 3rd party control module

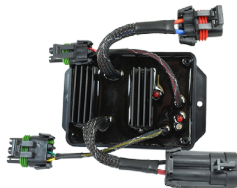
John Deere  
Trimble

Case IH  
AgLeader



### To Complete System

- single or dual pump kit
- PWM Electric Motor Driver
- Flowmeter



**Simplify your liquid system while MAXIMIZING performance!**  
**Call for pricing.**

# CUSTOMIZED SYSTEMS

CHOOSE ONE FROM EACH CATEGORY TO CUSTOM BUILD  
 A COMPLETE SYSTEM TO FIT YOUR APPLICATION



A. CONSOLE WITH MAIN HARNESS		
PART#	DESCRIPTION	PRICE
01341	SPRAYMATE II	1,029.00 R
01226	MT-2405F WITH UNIVERSAL HARNESS	813.00 R
01878	RATEKING Plus	1,801.00 R
01899	RATEKING DUAL Plus	3,074.00 R



B. GROUND SPEED SENSOR		
PART#	DESCRIPTION	PRICE
14214	RADAR ADAPTER FOR JOHN DEERE 7000, 8000 & 9000 SERIES	121.00 R
14215	RADAR INTERFACE DICKEY-JOHN AMP CONNECTOR	183.00 R
14217	RADAR INTERFACE DICKEY-JOHN DEUTCH CONNECTOR	183.00 R
14218	RADAR INTERFACE DICKEY-JOHN FORD CONNECTOR	183.00 R
14219	RADAR INTERFACE DICKEY-JOHN PACKARD CONNECTOR	183.00 R
14220	RADAR INTERFACE PHILIPS/MAGNAVOX	183.00 R
14221	RADAR INTERFACE RAVEN	183.00 R
01531	MAGNETIC SPEED SENSOR KIT	258.00 R



C. FLOWMETER KITS		
PART#	DESCRIPTION	PRICE
01500	FM500 POLY FLOWMETER KIT (1/2" FPT .5-5 GPM)	497.00 R
01501	FM750GFN NYLON FLOWMETER KIT (3/4" FPT 2-40 GPM)	497.00 R
01504	FM750SS STAINLESS FLOWMETER KIT (3/4" FPT 2-40 GPM)	895.00 R
01505	FM1000SS STAINLESS FLOWMETER KIT (1" FPT 3.5-70 GPM)	971.00 R
01515	FLOWMASTER 270 POLY FLOWMETER KIT (2" FLANGE 2-70 GPM)	815.00 R
01506	FM1500SS STAINLESS FLOWMETER KIT (1-1/2" FPT 10-130 GPM)	1,277.00 R



D. LIQUID FLOW CONTROL (SERVO) VALVE KIT		
PART#	DESCRIPTION	PRICE
19093	1" SERVO VALVE KIT 150 PSI	410.00 R
19096	1" FLANGED SERVO VALVE KIT	574.00 R







## REPLACEMENT PARTS

### MAIN HARNESSES

PART#	CABLE	USED WITH	PRICE
10415	Main Wiring Harness	MT-3000	482.58 R
14318	Power & Boom Harness	MT-3405 & 9000	492.22 R
14319	Console Boom Branch Harness	MT-3405 & 9000	269.86 R
14320	Flow, Servo, R/H Harness	MT-3405 & 9000	188.18 R
14313 F	Flow, Servo, Boom Harness	Spraymate II	295.61 R
11039	NH3 Main Harness	MT-3000	398.36 R
11037	NH3 Flow, Servo, Shutoff Cable	MT-3000	123.59 R
13273	NH3 Flow, Servo, Shutoff Cable	All current consoles	482.51 R

### FLOWMETER PARTS

PART#	DESCRIPTION	PRICE
10137	Teflon gasket FM750SS, FM750N, FM1000SS	8.16 R
10605	O-ring FM500	5.54 R
14836	Turbine FM750GFN, N, SS, FM1000SS, FM1500SS	149.13 R
13783	Quad O-ring FM750GFN	26.78 R
20182	Turbine FM500	109.92 R
11277	Bearing, Gasket Kit FM750, FM1000, FM1500	96.16 R

### NH3 SYSTEM PARTS

PART#	DESCRIPTION	PRICE
10899	FM750N Flowmeter (NH3500)	1,061.19 R
12274	FM1500SS Flowmeter (Liquifier)	1,251.00 R
19102	NH3 Servo Valve	1,450.00 R
10233	Steel Vapor Tube	61.96 R
11008	3/8" FPT x 3/8" Vapor Tube (NH3500)	28.47 R
11009	3/4" MPT x 3/8" Vapor Tube (NH3500)	29.35 R

### MOUNTING ACCESSORIES

PART#	DESCRIPTION	PRICE
10049	Mounting Bracket 84C Calc, FlowTrak	13.32 R
13181	Console Mounting Kit (base products)	33.46 R
13254	Console Mounting Kit MT-9000	63.87 R
10013	Mounting Bracket Speed Sensor	16.24 R
10080	Magnet Clip	10.71 R
12069	Magent Kit (6 magnets for speed)	17.54 R

### FLOWMETER SENSOR CABLES

PART#	USED WITH	PRICE
10132	84C FlowTrak	109.10 R
10417	MT-3000/5000	91.31 R
13096	All current consoles	127.24 R

### MAGNETIC SPEED SENSOR CABLES

PART#	USED WITH	PRICE
10074	84C Calc, FlowTrak	107.22 R
10416	MT-3000/5000	71.46 R
13096	All Current Consoles	127.24 R



# EXTENSION CABLES

## METRIPAK EXTENSION CABLES

PART#	DESCRIPTION	PRICE
13200	2-pin - 5' M/P Extension	71.01 R
13201	2-pin - 10' M/P Extension	76.66 R
13202	2-pin - 15' M/P Extension	82.87 R
13203	2-pin - 20' M/P Extension	86.50 R
13204	2-pin - 25' M/P Extension	93.59 R
13205	3-pin - 5' M/P Extension	78.48 R
13206	3-pin - 10' M/P Extension	83.78 R
13207	3-pin - 15' M/P Extension	94.19 R
13208	3-pin - 20' M/P Extension	100.18 R
13209	3-pin - 25' M/P Extension	106.92 R
14146	7-pin - 5' M/P Extension	186.32 R
14147	7-pin - 10' M/P Extension	269.56 R
14103	7-pin - 15' M/P Extension	348.63 R
14236	7-pin - 20' M/P Extension	423.70 R
14237	7-pin - 25' M/P Extension	494.26 R
13220	10-pin - 5' M/P Extension	136.39 R
13221	10-pin - 10' M/P Extension	162.88 R
13222	10-pin - 15' M/P Extension	186.24 R
13223	10-pin - 20' M/P Extension	223.09 R
13224	10-pin - 25' M/P Extension	262.86 R
14142	10-pin - 50' M/P Extension	485.01 R
14363	10-pin - 5' M/P 5/5 Extension	144.34 R
14316	10-pin - 10' M/P 5/5 Extension	214.02 R
14317	10-pin - 15' M/P 5/5 Extension	257.29 R
14364	10-pin - 20' M/P 5/5 Extension	316.08 R
14365	10-pin - 25' M/P 5/5 Extension	371.66 R
14419	10-pin - 50' M/P 5/5 Extension	638.06 R

## WEATHERPAK EXTENSION CABLES

PART#	DESCRIPTION	PRICE
11560	2-pin - 5' W/P Extension	56.14 R
11561	2-pin - 10' W/P Extension	65.21 R
11671	2-pin - 15' W/P Extension	70.95 R
11672	2-pin - 20' W/P Extension	72.46 R
10450	3-pin - 5' W/P Extension	73.23 R
10449	3-pin - 10' W/P Extension	82.09 R
10876	3-pin - 15' W/P Extension	93.60 R
10829	3-pin - 20' W/P Extension	103.58 R
11462	3-pin - 25' W/P Extension	113.36 R
11050	6-pin - 5' W/P Extension	132.65 R
11051	6-pin - 10' W/P Extension	164.46 R
11052	6-pin - 20' W/P Extension	230.67 R





# Wilger Electronic Flow Monitoring (EFM) System

## Designed for AgChemical & Liquid Applications

The Wilger Electronic Flowmeter (EFM) is a fully serviceable electronic flowmeter & monitoring system specifically designed for agricultural chemical & liquid applications. Like visual ball flow indicators, the EFM system monitors variations in flow rate, but has the patented electronic flowmeters feature stabilizing jets for improved flow rate accuracy and consistency across a broad flow range. Plus, as part of Wilger's O-ring seal (ORS) fittings, the EFM can be easily configured as a new system or retrofitted into an existing visual flow indicator system as an electronic upgrade. Relying on wireless ECU technology and a user-friendly Android interface, the Wilger EFM eliminates sole reliance on visual flowmeter monitoring--delivering real-time, row-by-row monitoring accuracy and precision performance even in dark conditions.



## System Highlights:

- \* Monitoring up to 196 meters on up to 10 sections
- \* Customizing & monitor up to 3 products simultaneously
- \* Compact & low maintenance--components are completely serviceable & replaceable
- \* ORS design enables retrofit installation into existing systems
- \* Eliminates visibility difficulties when applying dark liquids or during dark/dusty conditions
- \* Keyed Deutsch connectors ensure correct connections
- \* Easy to install, Easy to use--wireless WI-FI connection to in-cab Android tablet (no data required); Tablet not included
- \* Stabilizing jets accurately measure flow rates of 0.024 - 1.5 US GPM

**\*\* CALL FOR SYSTEM DESIGN AND PRICING\*\***

# CR7



The CR7 is a 7-inch lightweight field computer with customizable in-job layouts. A simple widget concept, easily accessible settings, and ISO Universal Terminal and Task Controller capabilities make this mighty unit an affordable, plug-and-play system. The CR7 is compatible with Slingshot file transfer and remote support, SmarTrax autosteering, AccuBoom, Raven serial consoles, and more.



## FEATURES & BENEFITS

- \* Multiple language support and customizable units
  - \* Simplified, customizable widget layout
  - \* Ability to access settings page from inside a job
    - \* Map-based navigation
- \* Auto field boundaries keep you organized automatically
  - \* Interactive field/job list and map view
- \* Slingshot-ready for file transfer, remote support, and OTA software updates
- \* Compatible with Raven AccuBoom, control consoles, and external lightbar support
- \* ISO Virtual Terminal and Task Controller functionality via unlock or subscription
  - \* Straight A-B, A plus heading, pivot, contour, and last pass guidance
- \* Compatible with autosteer products including SmarTrax and SmarTrax MD
  - \* Sub-meter single frequency GPS and GLONASS with compatible receiver
  - \* Scalable GPS upgrades and VRA unlocks with compatible receiver

## CALL FOR PRICING



# RAVEN RATE CONTROL MODULE

The RCM uses Raven's innovative control algorithms to make it the most precise application controller on the market today.

It fits a variety of applications - up to five product liquid and granular control, NH3 (including Accu-Flow HP+), air cart and generic applicators. Sixteen-section control eliminates expensive skips and overlaps for all phases of your operation, from spraying to NH3, and fertilizer application to planting.

RCM is the ultimate advancement in precision and efficiency, and the next solution for your operation's success.

## Features & Benefits



- \* Easily navigate and manage multiple products, tallies and sensor data
- \* Diagnostic tests and reading to easily calibrate, tune and troubleshoot system
- \* Compatible with ISOBUS Universal Terminals and Task Controllers
- \* Multi language support
- \* IP 67 environmental rating for the harshest of environmental conditions
- \* Dynamically configure run screen based on operator preferences to show most relevant data during operation

PART#	DESCRIPTION - Module & ISOBUS Harness, Kit	PRICE
117-7100-001	RCM Level 0, Gen 3 harness	6,293.75 P
117-7100-002	RCM Level 1, Gen 3 harness	7,184.38 P
117-7100-003	RCM Level 2, Gen 3 harness	8,454.92 P
117-7100-004	RCM Level 0, Gen 1 harness	5,937.50 P
117-7100-005	RCM Level 1, Gen 1 harness	6,828.13 P
117-7100-006	RCM Level 2, Gen 1 harness	8,112.51 P
PART#	DESCRIPTION - Raven Flow Cables (All adapter harnesses work with John Deere Rate Control 2000)	PRICE
115-7347-055	6' Liquid, 6 Section Weatherpack	875.19 P
115-7347-054	6' Liquid, 10 Section Weatherpack	914.38 P
115-7347-051	6' NH3, Single Section	676.78 P
115-7347-005	6' NH3, 3 Section	1,404.22 P
115-7347-004	6' NH3, 6 Section	1,821.60 P
PART#	DESCRIPTION - Adapter Cabels	PRICE
115-7347-008	47 pin to 37 pin (RCM to Greenstar cable)	531.65 P
115-7347-012	47 pin to 16 pin (RCM to Raven SCS cable)	561.69 P
21400	37 pin to 16 pin (Greenstar to Raven SCS cable)	218.50 P

# SPRAY CONTROLLERS



PART#	DESCRIPTION	PRICE
063-0171-183	440 CONSOLE 3-BOOM	1,718.75 P
063-0171-220	450 CONSOLE 6-BOOM	2,899.88 P

## RAVEN SCS 440/450 SPRAYER CONTROL

RAVEN SCS 440/450 SPRAYER CONTROLLERS PROVIDE PRECISION SINGLE PRODUCT AUTOMATIC RATE CONTROL WITH THE FLEXIBILITY OF UP TO 7 BOOM SECTION INPUTS. TWO SEPARATE APPLICATION RATES CAN BE PROGRAMMED INTO THE CONTROLLERS AND SELECTED ON-THE-GO WITH THE FLIP OF A SWITCH. APPLICATION RATES CAN BE OVERRIDDEN TO ACCOMMODATE SPOT SPRAYING NEEDS EVEN WHEN IN AUTOMATIC.

THE SCS 440/450 CONSOLES ARE GPS COMPATIBLE FOR VARIABLE RATE APPLICATION AND DATA LOGGING. ALL LOGGED DATA CAN BE DOWNLOADED FOR USE IN DETERMINING FUTURE APPLICATION INFORMATION. USER FRIENDLY PROGRAMMING, NONVOLATILE MEMORY, EASY TO READ LIGHTED DISPLAY AND DATA LOCK, COMBINED WITH THE RELIABILITY, ACCURACY AND AFFORDABILITY OF RAVEN SYSTEMS MAKE THESE CONSOLES THE RIGHT CHOICE FOR SINGLE PRODUCT CHEMICAL APPLICATION.

# SPRAY CONTROLLERS

## RAVEN SCS 4400+ CONSOLE



### SCS 4400+ CONSOLE

**PART# 117-0159-924**  
**\$3,754.87 P**

**FOR YOUR CONVENIENCE AND SIMPLICITY, THE RAVEN SCS4400+ GIVES YOU SPRAYER CONTROL AND DATA LOGGING IN THE SAME UNIT.**

- EASY TO READ DISPLAY
- GROUND SPEED COMPENSATED AUTO RATE CONTROL
- GPS COMPATIBLE
- 3-10 BOOM CONTROL
- LOW-LIMIT FUNCTION
- MULTIPLE AUDIBLE ALARMS
- DATALOG AS-APPLIED MAPS TO COMPACT FLASH
- 1/4 MONOCHROME DISPLAY
- 2 PROGRAMMABLE PRESET RATES
- PROGRAM DATA LOGGER THROUGH KEYPAD
- SERIAL INTERFACE CAPABILITIES
- COLLECTS ON-THE-GO APPLICATION INFORMATION
- EASY TO INSTALL AND OPERATE
- STORES INFORMATION IN SHAPEFILE OR ASCII FORMAT
- CONNECTS TO ANY NEW OR EXISTING GPS RECEIVER
- COMPATIBLE WITH COMMON MAPPING PROGRAMS
- AVAILABLE WITH BASIC MAP-VIEWING SOFTWARE

## RAVEN ICD INJECTION PUMPS, SIDEKICK PRO



The new Sidekick Pro injection system has all the benefits of the standard Sidekick system but has a more advanced system design. The system uses a high resolution encoder for smooth pump control. The new automatic closed-system calibration is simple and fast. No more catch tests. The Sidekick Pro is compatible with the Raven line of field computers and the SCS 4000 series and SCS 5000 series spray consoles.

PART#	DESCRIPTION	PRICE
063-0173-771	ICD pump, with tank, 1-40 oz/min	8,993.50 P
063-0173-772	ICD pump, with tank, 5-200 oz/min	8,993.50 P
063-0173-780	ICD pump, less tank, 5-200 oz/min	8,098.75 P
063-0173-781	ICD pump, less tank, 1-40 oz/min	8,098.75 P

# SPEED SENSORS, FLOWMETERS & FLOWMAX 220

## RAVEN RADAR & SPEED SENSORS



PART#	DESCRIPTION	PRICE
063-0159-484	WHEEL DRIVE SPEED SENSOR	592.63 P
063-0159-730	DRIVE SHAFT SENSOR	528.00 P
063-0171-669	FLOWMETER SENSOR	307.92 P
063-0172-004	FLOWMETER SENSOR (HIGH PULSE)	339.63 P

## RAVEN FLOWMETERS



**RFM-60P**

NEW PART#	OLD PART#	DESCRIPTION	PORT	PRICE
063-0172-058	063-0172-040	.3 TO 15 GPM POLY	M200 FLANGED	586.51 P
063-0171-958	063-0171-793	1 TO 60 GPM POLY	M200 FLANGED	803.35 P

**RFM-15**



**RFM100**

**RFM200**



NEW PART#	OLD PART#	DESCRIPTION	PORT	PRICE
063-0173-578	063-0171-066	5 TO 100 GPM POLY	BANJO FLANGED	1,188.69 P
063-0159-579	063-0159-751	15 TO 200 GPM	3" FPT X 3" FPT	1,876.88 P



**RFM-60S**

NEW PART#	OLD PART#	DESCRIPTION	PORT	PRICE
063-0173-867	063-0171-666	1 TO 60 GPM STAINLESS	1-1/2" FPT	1,280.13 P

## FLOW MAX 220 & 221



The Flow Max digital Flow Meter makes monitoring flow from the nurse truck to your sprayer easy and convenient. Flow Max's digital display is easy to view and the controls are located directly on the meter, right where you need it.

PART# 063-0173-653 \$1,449.94 P



# CONTROL VALVES

## POLY BUTTERFLY VALVES



ALL POLYPROPYLENE CONSTRUCTION  
 FEATURES HIGH TORQUE,  
 12V DC MOTOR.  
 175 PSI RATING FOR USE WITH  
 CHEMICALS  
 AND LIQUID FERTILIZERS

PART#	DESCRIPTION	PRICE
063-0171-894	1-1/2" Valve	595.65 P
063-0171-120	3/4" Valve	327.87 P
063-0171-896	1-1/2" Valve Banjo Flanged	627.00 P
063-0172-125	1" Valve w/1" FPT Banjo Flanged	530.34 P

## PWM HYDRAULIC VALVE

PART#	DESCRIPTION	PRICE
063-0171-842	0-10 GPM	1,354.38 P



## NH3 VALVES

1" CARBON STEEL BUTTERFLY VALVE, 12-VOLT FOR USE WITH HIGH VOLUME APPLICATIONS, 400 PSI RATING. VITON O-RINGS & SEALS. (SHOWN)



NEW PART#	OLD PART#	DESCRIPTION	PRICE
063-0173-877	063-0172-977	Control Valve 1"	986.22 P
063-0173-876	063-0172-978	On-Off Butterfly Valve 1"	979.69 P
063-0173-878	063-0172-979	Fast Valve 1"	1,389.08 P

## BOOM VALVES

PART#	DESCRIPTION	PRICE
063-0171-926	SINGLE	382.74 P
063-0171-928	3 SECTION	1,123.38 P



**FEATURES:**  
 Inlet Size Mates with M200 Series Banjo Fitting  
 Outlet Size is 3/4" Female NPT or Mates with M100 Series  
 Max Working Pressure is 175 PSI  
 Flow is 40 GPM at 10 PSI Pressure Drop. CV is 13  
 Plunger Style Valve for complete shut-off

## RAVEN CONTROL CABLE COMPONENTS

SCS 440 PART#	DESCRIPTION - 6 PIN MOLDED CONNECTOR	PRICE
115-0159-418	Console Cable 10'	591.70 P
115-0159-404	Flow Control 6'	383.40 P
115-0159-405	Flow Control 12'	472.46 P
115-0159-409	Flow Control Extension 12'	433.22 P
115-0159-414	Flow Control Extension 24'	522.27 P
SCS 440/450	DESCRIPTION - 16 PIN AMP CONNECTOR W/WEATHER PACK	PRICE
115-0171-085	Console Cable 10'	644.55 P
115-0159-858	Flow Control, 3 Boom 6'	495.10 P
115-0171-055	Flow Control, 3 Boom 12'	623.41 P
115-0171-086	Flow Control, 6 Boom 6'	674.73 P
115-0171-129	Flow Control, 6 Boom 12'	729.07 P
115-0159-856	Flow Control Extension 12'	686.81 P
115-0159-857	Flow Control Extension 24'	674.73 P
SCS 440/450	DESCRIPTION - 16 PIN AMP CONNECTOR W/SPADE ENDS	PRICE
115-0159-859	Flow Control, 3 Boom 12'	507.18 P
115-0159-495	Flow Control, 7 Boom 6'	393.97 P
115-0159-496	Flow Control, 7 Boom 12'	505.68 P
SCS 440/450	DESCRIPTION - NH3	PRICE
115-0171-800	Flow Control, Single Section 12'	700.38 P
115-0171-836	Flow Control, 3 Section 12'	1,396.24 P
115-0171-807	Adapter, Old Flow to New NH3 Control	226.41 P
115-0171-808	Adapter, Old Flow to New NH3 On/Off	226.41 P



## RADAR SPEED SENSOR INTERFACE CABLES

RADAR TYPE	VEHICLE TYPE	CONSOLE W/REV. "E" OR LATER	PRICE "E"
Raven Radar to 3rd Party Adapter	John Deere	115-0159-550	149.57 P
	Case-IH	115-0159-551	281.30 P
3rd Party Radar to Raven Speed Sensor Cable	Dickey-John/Vansco	115-0159-529	416.60 P
	Ford Gen/Vers/New Holland	115-0159-709	255.24 P
	John Deere w/Magnavox Radar	115-0159-519	370.37 P
	7000/8000/9000/10 & 20 Series	115-0159-700	190.00 P
	30 Series	215 100	142.50 P
	Starfire to Raven	215 007	190.00 P
	Case IH MX or STX in Cab	115-0159-517 115MXR	433.22 P 85.00 P
	CAT Challenger 65 or 75 Series	115-0159-518	300.51 P
	65 C/D, 75 C/D, 85D Row Crop	115-0159-627	218.19 P



\*\*1990 Model year or later w/factory installed performance monitor.

# SENTRY 6120



PART#	DESCRIPTION	PRICE
90-02846	Sentry 6120 System w/US Lighter Cable	1,295.57 Y
90-02848	Sentry 6120 System w/Battery Leads	1,302.33 Y
75-30118	Console, Sentry 6120	930.24 Y
404-0045	Extension Cable, 18'/5m	132.20 Y
404-0039	Extension Cable, 25'/8m	146.30 Y



- \* Provides real time operating pressure and corresponding droplet size category feedback for liquid applications
  - \* Bright backlight adjustable touch screen
- \* Image-based Tip Series and Tip Capacity settings allow for simple one-touch selection to choose your spray tip
- \* Tip Capacity selection setting uses ISO color coding as well as text for easy identification and selection
- \* Low Alarm and High Alarm alert operator when system pressure drops below or rises above the current pressure set point
  - \* Choose your unit of measurement setting: either US or metric
  - \* Save up to five spray tips to your “favorites” for quick setting retrieval



# UNIPILOT

PART#	DESCRIPTION	PRICE
91-02400	Kit, UniPilot System w/SCM, ESM and mounting bracket	8,082.85 Y

- \* Easy to Use and Even Easier to Install - Simply install a single, universal bracket onto the steering column and mount the UniPilot motor
- \* Improved Portability for Year-Round Use - UniPilot utilizes a universal mounting kit to fit wide range of vehicles. UniPilot can also be moved between vehicles with minimal effort; allowing you to maximize your investment and utilize it for multiple operations throughout the growing season
  - \* UniPilot Adapts to Your Field Conditions and Your Location Tilt compensation and gyro-stabilization are standard features that automatically correct side slope positional errors and ensure accuracy in all your field operations

# MANUAL CONTROLS & VALVES



## 744A Manual Sprayer Control

- Manual spray controller in a compact package
- Choice of Dry or Liquid filled gauge
- Heavy-duty switches with LED indicators
- Available in a variety of kit forms using solenoid valves
- Directo Valve shutoff ball valves are ordered separately

744A MANUAL CONTROL KITS				
PART#	Control Kit#	Qty per/kit	Kits using 144A & 244C Valves	Price
90-50161	AAK744A-100L-30S	1	744A-100L-3 Sprayer Control Unit	500.76 R
		1	244C-3/4 Pressure regulating valve No valve	
90-50163	AAK744A-100L-33S	1	744A-100L-3 Sprayer Control Unit	802.74 R
		1	244C-3/4 Pressure regulating valve	
		3	144A Directo Valve Boom Section Valves	
90-50177	AAK744A-100L-33P	1	744A-100L-3 Sprayer Control Unit	1,083.68 R
		1	244C-3/4 Pressure regulating valve	
		3	144P Directo Valve Boom Section Valves	

SPRAYING SYSTEMS SOLENOID VALVES					
PART#	INLET	OUTLET	MAX PSI	GPM	PRICE
AA144A-1	3/4"	1/2"	100	10	223.92 S
AA144A-2	3/4"	1/2"	100	10	453.59 S
AA144A-3	3/4"	1/2"	100	10	683.31 S
AA144P-1	3/4"	1/2"	100	10	308.59 S
AA144P-3	3/4"	1/2"	100	10	925.49 S



AA144A-1



AA144A-3



AA144P-3

## PRESSURE REGULATING BUTTERFLY VALVE

### Butterfly Valve for 744A

The TeeJet butterfly valve provides remote pressure control and features a two-wire lead for use in 12 VDC systems. Its quality design features good consumption of 0.15 amp and 3/4" NPT or BSPT (F) connections.

#### Features:

Pressure drop of 5 PSI (0.35 bar) for 45 GPM (170 l/min) flow.  
Maximum operating pressure is 100 PSI (7 bars).



PART# AA244C-3/4 \$163.87 S

# FLOW, PRESSURE & SPEED SENSORS

TEEJET SPEED SENSORS		
PART#	DESCRIPTION	PRICE
16-40007	Wheel speed sensor kit (2 magnets)	469.16 R
16-40012	Wheel speed sensor kit (4 magnets)	603.59 R
16-40003	Wheel speed sensor only	185.26 R
16-40013	Single magnet assembly	103.73 R
16-40004	Proximity speed sensor	129.83 R

## Proximity Sensor



TeeJet proximity sensors are reliable and easy to use because they do not require magnets and will produce a signal from any metal object.

- \*Built-in LED at sensor.
- \*Weather resistant connector.
- \*Reverse polarity protected.

## Magnetic Sensor



The Magnetic speed sensor kit is designed for versatility and long life. All components are plated steel or aluminum, and each sensor is equipped with a built-in test light and waterproof connectors.

- \*Built-in LED at sensor.
- \*Weather resistant connector.
- \*Reverse polarity protected.

TEEJET FLOWMETERS & PRESSURE SENSORS			
PART#	DESCRIPTION	RANGE	PRICE
90-50230	Kit, 801 Flowmeter w/1" hose barb	2.5-60 GPM	629.23 R
90-50231	Kit, 801 Flowmeter w/3/4" hose barb	2.5-60 GPM	629.23 R
90-50232	Kit, 801 Flowmeter w/1-1/4" hose barb	2.5-60 GPM	629.23 R
90-50233	Kit, 801 Flowmeter w/1-1/4" NPTF	2.5-60 GPM	629.23 R
57-10080	1/2" STD flowmeter w/1/2" hose barb	0.8-8 GPM	815.29 R
57-10096	3/4" STD flowmeter w/3/4" hose barb	1.9-37 GPM	824.84 R
57-10068	1" STD flowmeter w/1" hose barb	2.6-52.8 GPM	725.14 R
57-10081	1-1/2" STD flowmeter w/1-1/2" hose barb	9.2-92.5 GPM	854.95 R
57-10097	2" STD flowmeter w/2" hose barb	19-400 GPM	1,222.11 R
90-02476	Pressure sender, 1/4" NPT	0-145 PSI	395.08 R
90-02482	Pressure sender, 1/4" NPT	0-363 PSI	392.18 R



801  
FLOWMETER



STANDARD  
FLOWMETER



PRESSURE SENSOR

# SPRAY CONTROLLERS



RC1B WP Boon Control System  
w/Regulator Switch  
100 PSI Gauge  
1560A Regulator

**PART# RC1BWP**  
**\$542.71 Y**



RC1B WP 3 Boom Control System  
w/Regulator Switch  
100 PSI Gauge  
1999A WP (3 Valve Bank)  
Mounting Bracket  
1541A Regulator

**PART# 2040WP3**  
**\$1,189.85 Y**



**RC-10N**

Remote Control System with 1560A pressure regulator, with solenoid shutoff valve.

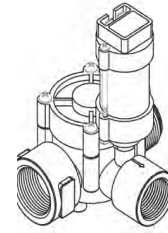
**PART# RC-10N \$412.28 Y**



**1560A Pressure Regulator**

Recommended for flow rates up to 50GPM.  
3/4" NPT Female Inlet/Outlet  
3/4" Orifice

**PART# 1560A \$174.24 D**



**1999A Solenoid Valve**

12-Volt DC Electric Boom Shutoff Valves have 1" NPT female outlete, 1" male bypass outlet and 3/4" NPT female boom line outlet for high volume applications at minimum pressure loss (pressure drop is only 5 PSI at 18 GPM). Max operating pressure, 175 PSI and 18 GPM.

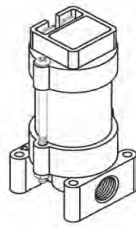
**PART# 1999A-1 \$204.80 D**



**Chemical Isolator**

with mounting bracket and 1/8" female NPT threads without tube fittings.

**PART# GI-18 \$25.00 NET**

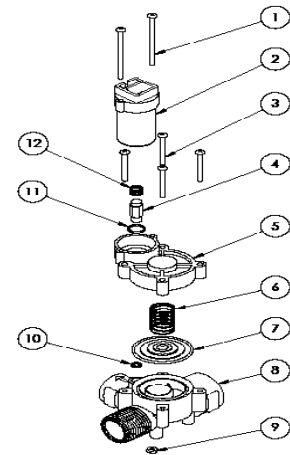


**2201A Solenoid Valve**

.148 Dia. Orifice, .45 CV Rating  
1GPM, 125 PSI, 12-Volt DC, 1.1 Amp.  
This is a good choice when large flow and high pressure are required.

**PART# 2201A \$114.69 D**

**PART# 2201 \$20.00 NET**



**2501B Solenoid Valve**

Use these valves anytime you need direct \ shut-off control with no bypass.

12 Volt DC shut-off  
1/2" NPT Female Inlet/Outlet,  
6 GPM, 150 PSI

**PART# 2501B \$150.04 D**

**2504A Solenoid Valve**

3WAY, 12 Volt  
2GPM, 75 PSI  
Weatherpack

**PART# 2504BWP \$169.85 D**



**2202A Solenoid Valve**





Ideal for small sprayers.  
1/4" NPT Female Inlet  
1.4" NPT Female Outlet  
Weatherpack Connection

**PART# 2202AWP \$101.83 D**





1999A PARTS			
REF#	PART#	DESCRIPTION	PRICE
8	1962	Valve Body	39.23 A
7	*1974	Viton Diaphragm Assembly, Standard	51.71 A
7	#2109	Aflas Diaphragm Assembly, Optional	72.49 A
6	*#1975	Spring	7.97 A
5	1963	Valve Cover	45.40 A
10	*#1976	Viton "O" Ring 010	4.93 A
1	5305	6-32 x 2 5/8 Screw (Req 2)	2.57 A
9	5306	Hex Nut (Req 2)	1.14 A
11	*#1977	Viton "O" Ring 014	5.57 A
4	*2239	Plunger w/Viton Seat, Standard	35.20 A
4	#2240	Plunger w/Aflas Seat, Optional	39.87 A
12	*#1979	Plunger Spring	8.11 A
2	2515	Coil Assembly	95.12 A
2A	2520	Coil Assembly, Weather Pack	97.31 A
3	5307	No. 8 x 1 1/2" Screw (Req 4)	2.52 A
	2168	"O" Ring 022	3.65 A
	2517	Viton Repair Kit - *	69.85 A
	2518	Aflas Repair Kit - #	100.54 A




# HOSE BARBS POLY, STEEL & STAINLESS

POLYPROPYLENE		SCHD 80		STEEL		STAINLESS	
							
PART#	PRICE	PART#	PRICE	PART#	PRICE	PART#	PRICE
HB1814	0.55 D						
HB1838	0.55 D						
HB14	0.55 D	BHB14	1.50 D			HB14SS	5.87 D
FHB14	2.06 D						
HB1438	0.55 D	BHB1438	1.50 D			HB1438SS	5.87 D
FHB1438	2.06 D						
HB1412	0.55 D	BHB1412	1.81 D			HB1412SS	5.87 D
HB3814	0.55 D	BHB3814	.83 D				
FHB3814	2.37 D						
HB38	0.55 D	BHB38	1.63 D			HB38SS	7.46 D
FHB38	2.37 D						
HB3812	0.63 D	BHB3812	1.63 D			HB3812SS	7.46 D
FHB3812	2.37 D						
HB3858	0.63 D						
HB1214	0.63 D	BHB1214	1.37 D				
HB1238	0.63 D	BHB1238	1.63 D			HB1238SS	11.42 D
HB12	0.63 D	BHB12	1.37 D	HB12S	5.25 D	HB12SS	9.45 D
FHB12	2.06 D						
HB1258	0.63 D						
HB1234	0.63 D	BHB1234	1.81 D			HB1234SS	10.32 D
HB12100	1.98 D						
HB3414	0.75 D						
HB3438	0.75 D	BHB3438	1.81 D				
HB3412	0.75 D	BHB3412	1.81 D				
HB3458	0.75 D	BHB3458	2.20 D				
HB34	0.75 D	BHB34	1.50 D	HB34S	6.25 D	HB34SS	10.46 D
FHB34	2.53 D	BFHB34	4.45 D				
HB34100	1.44 D	BHB34100	2.20 D			HB34100SS	11.97 D
		BFHB34100	3.71 D				
HB10034	1.35 D	BHB10034	2.20 D				
HB100	1.76 D	BHB100	1.86 D	HB100S	7.35 D	HB100SS	15.79 D
		BFHB100	3.13 D				
		BHB100114	2.72 D				
		BHB11434	2.28 D				
		BHB114100	2.72 D				
		BHB114	2.72 D	HB114S	10.05 D	HB114SS	21.33 D
		BHB114112	5.19 D				
		BHB112100	4.07 D				
		BHB112114	4.07 D				
		BHB112	3.80 D	HB112S	11.95 D	HB112SS	27.66 D
		BHB112200	6.98 D				
		BHB200112	5.82 D				
		BHB200	4.63 D	HB200S	18.95 D	HB200SS	47.24 D
				HB212S	19.95 D		
		BHB300	14.97 D	HB300S	28.95 D	HB300SS	172.98 D
		BHB400	37.61 D				



# POLY - HOSE BARB/MENDER ELBOWS

POLYPROPYLENE		SCHD 80		POLYPROPYLENE/SCHD 80		SWEEP	
							
PART#	PRICE	PART#	PRICE	PART#	PRICE	PART#	PRICE
HBE1814	0.86 D						
HBE1838	0.88 D						
HBE14	0.88 D	BHBE14	1.81 D	HME14	0.82 D		
HBE1438	0.91 D	BHBE1438	1.81 D				
FHBE1438	2.15 D						
HBE1412	0.92 D	BHBE1412	1.81 D				
HBE1458	1.67 D						
HBE3814	0.90 D						
HBE38	0.99 D	BHBE38	2.29 D	HME38	0.88 D		
HBE3812	0.96 D						
FHBE3812	1.99 D						
HBE3858	1.05 D						
HBE1214	1.00 D						
HBE1238	0.98 D	BHBE1238	1.81 D				
HBE12	0.98 D	BHBE12	1.81 D	HME12	0.87 D		
HBE1258	1.16 D						
HBE1234	1.20 D	BHBE1234	1.81 D				
HBE12100	1.93 D			HME58	0.85 D		
HBE3438	1.24 D						
HBE3414	1.13 D						
HBE3412	1.30 D	BHBE3412	2.29 D				
FHBE3412	1.99 D						
HBE3458	1.36 D						
HBE34	1.36 D	BHBE34	1.90 D	HME34	1.18 D	HB075SW90	5.10 D
FHBE34	1.89 D						
HBE34100	1.54 D	BHBE34100	2.29 D				
HBE10012	1.48 D						
HBE10034	1.58 D	BHBE10034	2.93 D	BHME100	3.02 D		
HBE100	1.61 D	BHBE100	2.42 D	HME100	1.69 D	HB100SW90	6.60 D
		BHBE100114	3.57 D				
		BHBE114100	3.57 D				
		BHBE114	3.57 D	HME114	7.69 D	HB125SW90	10.53 D
		BHBE114112	10.30 D				
		BHBE112114	10.30 D				
		BHBE112	8.58 D	HME112	7.37 D	HB150SW90	11.26 D
				BHME200114	14.98 S		
		BHBE200112	11.28 D				
		BHBE200	9.40 D	HME200	14.37 D	HB200SW90	11.86 D
		BHBE300	45.41 D			HB300SW90	40.66 D

# MENDERS, TEES & Y HOSE BARBS - POLY

MENDERS			
POLYPROPYLENE		SCHD 80	
			
PART#	PRICE	PART#	PRICE
HM18	0.39 D		
HM14	0.52 D		
HM38	0.55 D	BHM38	1.68 D
HM1238	0.65 D		
HM12	0.60 D	BHM12	1.73 D
HM58	0.65 D		
HM5812	0.67 D		
HM34	0.77 D	BHM34	1.88 D
HM100	0.98 D	BHM100	2.29 D
		BHM114	2.58 D
		BHM112	4.55 D
		BHM200	5.72 D
		BHM300	17.86 D

HOSE BARB TEES			
POLYPROPYLENE		SCHD 80	
			
PART#	PRICE	PART#	PRICE
HBT18	0.75 D		
HBT14	1.01 D		
HBT38	0.92 D	BHBT38	2.02 D
HBT3812	0.96 D		
HBT1238	0.96 D		
HBT12	0.96 D	BHBT12	3.14 D
HBT1234	3.91 D	BHBT1234	3.14 D
HBT58	1.16 D		
HBT3412	1.93 D	BHBT3412	3.14 D
HBT34	1.19 D	BHBT34	3.14 D
		BHBT34100	2.68 D
		BHBT10034	2.76 D
HBT100	1.33 D	BHBT100	3.31 D
HBT114	3.67 D	BHBT200	12.59 D
HBT112	3.80 D	BHBT300	35.00 D
HBT200	13.00 D		

1/4" GAUGE TEE		"Y" HOSE BARB	
			
PART#	PRICE	PART#	PRICE
GTT12	3.97 D		
GTT34	4.57 D		
BGTT34	24.24 D		
BGTT100	24.24 D	YHB38	3.08 D
		YHB12	3.08 D




HOSEBARB CROSS	
BHBC1234	20.06 D


MALE THREADED TEE	
	
MTT12	3.70 D

HOSEBARB x MALE THREAD	
	
PART#	BHBEL150/100-90
PRICE	27.54 D

MPT x HOSE BARB TEE		FPT x HOSE BARB TEE	
POLYPROPYLENE		POLYPROPYLENE	
			
PART#	PRICE	PART#	PRICE
HBTM14	1.05 D		
HBTM1438	0.98 D		
HBTM1412	0.99 D		
HBTM38	0.99 D		
HBTM3812	1.10 D		
HBTM1238	1.10 D		
HBTM12	1.16 D		
HBTM1234	1.88 D		
HBTM3412	1.88 D		
HBTM34	1.97 D	HBTF34	3.21 D
HBTM34100	1.97 D		
		HBTF34114	3.21 D
BHBTM100	9.16 D		
BHBTM112100	22.97 D		
BHBTM112	43.99 D		


# POLY - BUSHINGS & NIPPLES

CLOSE & REDUCING NIPPLES			
POLYPROPYLENE		SCHD 80	
			
PART#	PRICE	PART#	PRICE
CN18	.53 D	BCN18	.62 D
CN14	.53 D	BCN14	1.62 D
CN38	.53 D	BCN38	1.74 D
CN12	.60 D	BCN12	2.06 D
CN34	.76 D	BCN34	2.06 D
CN100	1.12 D	BCN100	2.22 D
		BCN114	2.69 D
		BCN112	4.11 D
		BCN200	4.66 D
		BCN300	14.61 D
RCN1418	.53 D		
RCN3818	.55 D		
RCN3814	.55 D		
RCN1218	.60 D		
RCN1214	.60 D		
RCN1238	.60 D	BRCN1238	2.74 D
RCN3438	.70 D		
RCN3412	.70 D	BRCN3412	2.94 D
		BRCN10012	3.78 D
		BRCN10034	3.44 D
		BRCN11434	3.98 D
		BRCN114100	3.60 D
		BRCN112100	4.26 D
		BRCN112114	3.83 D
		BRCN200114	5.20 D
		BRCN200112	4.24 D
		BRCN300200	14.55 D


REDUCER BUSHINGS			
POLYPROPYLENE		SCHD 80	
			
PART#	PRICE	PART#	PRICE
RB3818	1.81 D		
RB3814	1.33 D	BRB3814	3.60 D
RB1214	1.53 D	BRB1214	3.00 D
RB1238	1.33 D	BRB1238	3.60 D
RB3418	1.75 D		
RB3414	1.65 D	BRB3414	3.60 D
RB3438	1.65 D	BRB3438	3.60 D
RB3412	1.65 D	BRB3412	3.60 D
		BRB10014	3.83 D
RB10012	1.23 D	BRB10012	3.83 D
RB10034	1.43 D	BRB10034	3.17 D
		BRB11434	3.83 D
		BRB114100	3.83 D
		BRB11234	5.06 D
		BRB112100	5.06 D
		BRB112114	5.06 D
		BRB20034	4.57 D
		BRB200100	4.57 D
		BRB200114	5.50 D
		BRB200112	4.57 D
		BRB300112	22.91 D
		BRB300200	19.10 D
		BRB400300	35.54 D

PIPE SIZE COMPARISON		
PART# CONTAINS	PIPE SIZE	APPROX. INCHES OUTSIDE
18	1/8"	1/4"
14	1/4"	1/2"
38	3/8"	5/8"
12	1/2"	3/4"
34	3/4"	1"
100	1"	1-1/4"
114	1-1/4"	1-5/8"
112	1-1/2"	2"
200	2"	2-3/8"
300	3"	3-1/2"
400	4"	4-1/2"

# POLY - CAPS, PLUGS, COUPLERS CROSSES & TEES

PLUGS			
POLYPROPYLENE		SCHD 80	
			
PART#	PRICE	PART#	PRICE
PL18	.46 D		
PL14	.50 D	BPL14	3.80 D
PL38	.52 D	BPL38	3.80 D
PL12	.56 D	BPL12	3.83 D
PL34	.63 D	BPL34	3.83 D
PL100	.84 D	BPL100	3.83 D
		BPL114	5.02 D
		BPL112	5.02 D
		BPL200	5.08 D
		BPL300	23.98 D



THREADED TEES & CROSSES			
POLYPROPYLENE		SCHD 80	
			
PART#	PRICE	PART#	PRICE
TT14	3.82 D	BTT14	5.14 D
		BTT38	5.32 D
TT12	3.59 D	BTT12	4.66 D
TT34	5.31 D	BTT34	5.00 D
		BTT100	7.21 D
		BTT114	9.98 D
		BTT112	11.93 D
		BTT200	14.86 D
		BTT300	70.75 D
CROSSES			
		BCR12	24.44 D
		BCR34	24.44 D
		BCR100	24.44 D
		BCR114	36.43 D
		BCR112	36.43 D
		BCR200	37.18 D

CAPS			
POLYPROPYLENE		SCHD 80	
			
PART#	PRICE	PART#	PRICE
CAP14	.50 D		
CAP12	.50 D	BCAP12	7.40 D
CAP38	.50 D	BCAP38	2.94 D
CAP34	.60 D	BCAP34	7.40 D
		BCAP100	6.15 D
		BCAP114	8.30 D
		BCAP112	10.46 D
		BCAP200	12.12 D
		BCAP300	43.38 D

POLYPROPYLENE			
POLYPROPYLENE		SCHD 80	
			
PART#	PRICE	PART#	PRICE
CP18	3.36 D		
CP14	3.36 D	BCP14	4.90 D
CP38	3.36 D	BCP38	5.50 D
CP12	3.80 D	BCP12	5.50 D
CP34	3.80 D	BCP34	5.50 D
		BCP100	5.21 D
		BCP114	8.44 D
		BCP112	11.69 D
		BCP200	13.34 D
		BCP300	37.75 D
RCP1438	3.17 D		
RCP1238	3.17 D		
RCP3438	3.17 D		
RCP3412	3.19 D		
		BRCP10034	8.14 D
		BRCP112100	13.84 D
		BRCP112114	13.84 D
		BRCP20012	14.71 D
		BRCP200100	12.26 D
		BRCP200114	14.71 D
		BRCP200112	12.26 D
		BRCP300200	43.50 D

# POLY - ELBOWS & NIPPLES

STREET ELBOWS 90°			
POLYPROPYLENE		SCHD 80	
			
PART#	PRICE	PART#	PRICE
SE14	2.17 D	BSE14	3.95 D
SE38	3.25 D	BSE38	4.63 D
SE12	2.30 D	BSE12	4.20 D
SE34	3.25 D	BSE34	4.48 D
		BSE100	5.32 D
		BSE114	7.30 D
		BSE112	10.35 D
		BSE200	12.29 D
		BSE300	62.52 D
THREADED ELBOWS 90°			
POLYPROPYLENE		SCHD 80	
			
PART#	PRICE	PART#	PRICE
		BTE14	3.95 D
		BTE38	5.34 D
TE12	4.76 D	BTE12	4.82 D
TE34	4.10 D	BTE34	4.36 D
		BTE100	5.12 D
		BTE114	7.67 D
		BTE112	12.04 D
		BTE200	11.93 D
		BTE300	60.63 D
THREADED ELBOW 45°			
POLYPROPYLENE		SCHD 80	
			
PART#	PRICE	PART#	PRICE
		BTE100-45	16.57 D

STREET ELBOWS 45°			
POLYPROPYLENE		SCHD 80	
			
PART#	PRICE	PART#	PRICE
SE14-45	3.10 D		
SE34-45	3.17 D	BSE34-45	8.66 D
		BSE100-45	11.65 D
		BSE114-45	14.42 D
		BSE112-45	15.39 D
		BSE200-45	16.58 D
		BSE300-45	68.69 D
PIPE NIPPLES			
PVC		SCHD 80	
			
DESCRIPTION	PART#	PRICE	
1/2" PIPE x 3" LONG	BN12-3	3.46 D	
1/2" PIPE x 12" L PVC	BN12-12	4.95 S	
3/4" PIPE x 4" LONG	BN34-4	3.60 D	
3/4" PIPE x 6" LONG	BN34-6	4.23 D	
1" PIPE x 4" LONG	BN100-4	3.83 D	
1" PIPE x 6" LONG	BN100-6	4.74 D	
1" PIPE x 12" L PVC	BN100-12	7.95 S	
1-1/4" PIPE x 4" LONG	BN114-4	4.74 D	
1-1/4" PIPE X 6" LONG	BN114-6	5.40 D	
1-1/2" PIPE x 3" LONG	BN112-3	6.10 D	
1-1/2" PIPE x 4" LONG	BN112-4	10.16 D	
1-1/2" PIPE x 5" LONG	BN112-5	11.37 D	
1-1/2" PIPE x 6" LONG	BN112-6	11.94 D	
2" PIPE x 4" LONG	BN200-4	9.82 D	
2" PIPE x 6" LONG	BN200-6	11.47 D	
2" PIPE x 12" L PVC	BN200-12	13.70 S	
3" PIPE x 4" LONG	BN300-4	21.74 D	
3" PIPE x 6" LONG	BN300-6	28.31 D	

# GARDEN HOSE FITTINGS



GARDEN HOSE FITTINGS		
PART#	DESCRIPTION	PRICE
GHFT075A	3/4" Adapter x 3/4" Garden Hose Female Thread	6.34 D
GHMT075B	3/4" Coupler x 3/4" Garden Hose Male Thread	19.62 D
GHFT075D	3/4" Coupler x 3/4" Garden Hose Female Thread	22.24 D
GHMT075F	3/4" Adapter x 3/4" Garden Hose Male Thread	6.34 D
GHFT075MPT	3/4" Male NPT x 3/4" Garden Hose Female Thread	5.47 D
GHMT075FPT	3/4" Female NPT x 3/4" Garden Hose Male Thread	5.47 D
GHMT075MPT	3/4" Male NPT x 3/4" Garden Hose Male Thread	6.34 D



WASHERS		
PART#		PRICE
GW107	Filter Washer	0.59 S
GW300	Sta-Put Washer	0.13 S



VALVES		
PART#		PRICE
GLA3	Shut-off	3.50 S
GLA23	"Y"	4.61 S



FEMALE GARDEN HOSE X MPT		
SIZE	PART#	PRICE
3/4"	GMP34	2.45 S



SWIVEL NUT MPT		
SIZE	PART#	PRICE
3/4"	SN34	1.24 S
1"	SN100	3.34 S



MALE GARDEN HOSE X BARB		
SIZE	PART#	PRICE
1/4"	GHB14	0.85 S
3/8"	GHB38	0.83 S
1/2"	GHB12	0.84 S
5/8"	GHB58	0.84 S
3/4"	GHB34	0.84 S



FEMALE GH X MALE GH		
SIZE	PART#	PRICE
3/4"	GMP34	2.44 S



MALE GARDEN HOSE X MPT		
SIZE	PART#	PRICE
3/8"	GMM38	.88 S
1/2"	GMM12	.85 S
3/4"	GMM34	1.00 S



FEMALE GH END CAP		
SIZE	PART#	PRICE
3/4"	GEC34	0.79 S



HOSE SHANK		
SIZE	PART#	PRICE
1/4"	HS14	.53 S
3/8"	HS38	.58 S
1/2"	HS12	.59 S
5/8"	HS58	.59 S
3/4"	HS34	.59 S
1"	HS100	1.14 S



FEMALE GARDEN HOSE X FPT		
SIZE	PART#	PRICE
1/2"	GFF12	2.44 S



MALE GARDEN HOSE X FPT		
SIZE	PART#	PRICE
1/4"	GFP14	2.49 S
1/2"	GFP12	2.51 S
3/4"	GFP34	2.44 S



FEMALE GH SWIVEL NUT		
SIZE	PART#	PRICE
3/4"	GSN34	.66 S

# STEEL & STAINLESS BUSHINGS & COUPLERS



## BRASS FITTINGS ALSO AVAILABLE

REDUCER BUSHINGS			
STEEL SCHD 40		STAINLESS	
			
PART#	PRICE	PART#	PRICE
RB1418S	1.84 D	RB1418SS	2.70 D
RB3814S	3.82 D	RB3814SS	2.95 D
RB1214S	3.82 D	RB1214SS	3.75 D
RB1238S	2.82 D	RB1238SS	3.75 D
		RB3418SS	5.48 D
RB3414S	3.80 D	RB3414SS	5.48 D
RB3438S	3.80 D	RB3438SS	6.57 D
RB3412S	3.80 D	RB3412SS	5.48 D
RB10012S	5.95 D	RB10012SS	7.60 D
RB10034S	3.95 D	RB10034SS	7.60 D
		RB11434SS	16.32 D
RB114100S	5.11 D	RB114100SS	13.60 D
RB112100S	5.83 D	RB112100SS	19.53 D
RB112114S	5.83 D	RB112114SS	19.53 D
RB200100S	7.76 D	RB200100SS	24.83 D
RB200112S	7.76 D	RB200112SS	24.83 D
RB212200S	18.95 D	RB212200SS	51.06 D
RB300112S	17.46 D	RB300112SS	78.24 D
RB300200S	17.46 D	RB300200SS	65.20 D
RB400300S	33.57 D		

COUPLERS		REDUCER COUPLER	
STEEL SCHD 40		STAINLESS	STEEL
			
PART#	PRICE	PART#	PRICE
CP14S	3.57 D	CP14SS	2.90 D
CP38S	3.57 D	CP38SS	3.38 D
CP12S	3.57 D	CP12SS	4.78 D
CP34S	3.57 D	CP34SS	6.90 D
CP100S	5.25 D	CP100SS	10.48 D
CP114S	6.64 D	CP114SS	16.65 D
CP112S	8.84 D	CP112SS	19.75 D
CP200S	12.87 D	CP200SS	37.85 D
CP300S	47.39 D	CP300SS	79.00 D
		RCP1418S	4.62 D
		RCP1214S	4.62 D
		RCP3412S	4.75 D
		RCP10034S	5.90 D
		RCP114100S	6.63 D
		RCP112100S	9.70 D
		RCP200114S	13.88 D
		RCP200112S	13.88 D
		RCP212112S	36.11 D



# STEEL & STAINLESS STREET & THREADED ELBOWS BRASS FITTINGS ALSO AVAILABLE

STREET ELBOWS 90°			
STEEL SCHD 40		STAINLESS	
			
PART#	PRICE	PART#	PRICE
SE14S	4.32 D	SE14SS	5.33 D
SE38S	4.32 D	SE38SS	6.41 D
SE12S	4.32 D	SE12SS	7.56 D
SE34S	4.32 D	SE34SS	10.49 D
SE100S	6.30 D	SE100SS	18.14 D
SE114S	9.50 D	SE114SS	26.35 D
SE112S	12.65 D	SE112SS	31.16 D
SE200S	20.52 D	SE200SS	42.21 D
SE300S	77.25 D	SE300SS	118.26 D

THREADED ELBOWS 90°			
STEEL SCHD 40		STAINLESS	
			
PART#	PRICE	PART#	PRICE
TE18S	1.75 D	TE18SS	4.15 D
TE14S	3.33 D	TE14SS	4.15 D
TE38S	3.33 D	TE38SS	5.15 D
TE12S	3.33 D	TE12SS	5.50 D
TE34S	3.33 D	TE34SS	7.88 D
TE100S	5.05 D	TE100SS	11.15 D
TE114S	8.17 D	TE114SS	19.58 D
TE112S	10.78 D	TE112SS	26.05 D
TE200S	18.45 D	TE200SS	33.05 D
TE300S	59.70 D	TE300SS	95.93 D

PIPE SIZE COMPARISON		
PART# CONTAINS	PIPE SIZE	APPROX. INCHES OUTSIDE
18	1/8"	1/4"
14	1/4"	1/2"
38	3/8"	5/8"
12	1/2"	3/4"
34	3/4"	1"
100	1"	1-1/4"
114	1-1/4"	1-5/8"
112	1-1/2"	2"
200	2"	2-3/8"
300	3"	3-1/2"
400	4"	4-1/2"

# STEEL & STAINLESS NIPPLES, UNIONS & CROSSES

## BRASS FITTINGS ALSO AVAILABLE




PIPE NIPPLE			
STEEL SCHD 40		STAINLESS	
			
PART#	PRICE	PART#	PRICE
CN14S	2.15 D	CN14SS	3.10 D
CN38S	2.15 D	CN38SS	3.10 D
CN12S	2.15 D	CN12SS	3.25 D
CN12S-2	1.74 D	CN12-2SS	4.53 D
CN12S-212	1.83 D	CN12-212SS	5.43 D
CN12S-3	1.97 D	CN12-3SS	6.33 D
CN12S-4	2.42 D	CN12-4SS	8.15 D
CN34S	2.15 D	CN34SS	5.07 D
CN34S-2	2.25 D	CN34-2SS	6.48 D
CN34S-3	2.52 D	CN34-3SS	9.09 D
CN100S	3.70 D	CN100SS	5.50 D
CN100S-3	3.70 D	CN100-3SS	9.68 D
CN100S-4	4.35 D	CN100-4SS	14.97 D
CN100S-6	6.10 D	CN100-6SS	21.69 D
CN114S	3.90 D	CN114SS	7.50 D
CN112S	4.78 D	CN112SS	9.15 D
CN200S	6.50 D	CN200SS	14.20 D
CN300S	24.13 S	CN300SS	44.75 D

UNIONS			
STEEL		STAINLESS	
			
PART#	PRICE	PART#	PRICE
UN14S	16.28 D	UN14SS	14.00 D
UN38S	11.00 D	UN38SS	14.28 D
UN12S	11.00 D	UN12SS	15.45 D
UN34S	13.35 D	UN34SS	19.58 D
UN100S	17.18 D	UN100SS	29.55 D
UN114S	21.70 D	UN114SS	51.23 D
UN112S	28.08 D	UN112SS	57.95 D
UN200S	40.00 D	UN200SS	69.38 D
UN300S	117.05 D	UN300SS	236.63 D

CROSSES			
STEEL		STAINLESS	
			
PART#	PRICE	PART#	PRICE
CR14S	9.72 D	CR14SS	9.75 D
CR38S	9.90 D	CR38SS	11.55 D
CR12S	11.25 D	CR12SS	14.23 D
CR34S	12.48 D	CR34SS	24.33 D
CR100S	16.93 D	CR100SS	36.00 D
CR114S	27.45 D	CR114SS	42.75 D
CR112S	33.98 D	CR112SS	52.95 D
CR200S	56.30 D	CR200SS	75.80 D
CR300S	147.55 D	CR300SS	235.33 D

# STEEL & STAINLESS TEES, PLUGS & CAPS BRASS FITTINGS ALSO AVAILABLE

TEES			
STEEL		STAINLESS	
			
PART#	PRICE	PART#	PRICE
TT14S	4.80 D	TT14SS	5.58 D
TT38S	4.80 D	TT38SS	7.08 D
TT12S	3.25 D	TT12SS	7.54 D
TT34S	4.40 D	TT34SS	11.85 D
TT100S	7.75 D	TT100SS	15.08 D
TT114S	12.55 D	TT114SS	30.00 D
TT112S	15.63 D	TT112SS	37.28 D
TT200S	25.80 D	TT200SS	47.90 D
TT300S	78.95 D	TT300SS	148.03 D

PLUGS				CAPS	
HOLLOW STEEL		STAINLESS		STAINLESS	
					
PART#	PRICE	PART#	PRICE	PART#	PRICE
PL14S	2.05 D	PL14SS	2.12 D	C14SS	3.00 D
PL38S	2.40 D	PL38SS	2.83 D	C38SS	3.53 D
PL12S	2.99 D	PL12SS	4.05 D	C12SS	3.65 D
PL34S	2.99 D	PL34SS	4.95 D	C34SS	4.58 D
PL100S	2.99 D	PL100SS	6.25 D	C100SS	6.88 D
PL114S	3.60 D	PL114SS	12.43 D	C114SS	12.43 D
PL112S	4.78 D	PL112SS	14.83 D	C112SS	16.33 D
PL200S	7.50 D	PL200SS	17.55 D	C200SS	20.80 D
PL300S	15.33 D	PL300SS	42.03 D	C300SS	51.88 D

## THREAD SEALANT, TAPE & LIQUID



PART#	DESCRIPTION	PRICE
LT2	PTFE 2oz TUBE	18.87 R
LT8	PTFE 1/2 PINT	41.01 R
TTAPE	TEFLON TAPE 1/2" x 520"	1.63 S
TTAPEW	TEFLON TAPE 3/4" x 520"	2.95 S
RE31780	TRU BLUE 2oz TUBE	11.03 D
RE31551	TRU BLUE PINT	33.56 D

PART#	DESCRIPTION	PRICE
RE25790	RECTORSEAL #5 TUBE	8.64 R
RE25631	RECTORSEAL #5 1/4 PINT	15.10 R
RE25551	RECTORSEAL #5 1/2 PINT	21.50 R
RE25431	RECTORSEAL #5 PINT	33.59 R
RE28651	RECTORSEAL #21 1/2 PINT	25.00 R
RE28541	RECTORSEAL #21 PINT	39.50 R

# CAM LEVER COUPLERS ALUMINUM



"A" MALE ADAPTER		
SIZE	PART#	PRICE
1-1/2"	A112A	8.75 R
2"	A2A	11.72 R
2-1/2"	A212A	25.66 R
3"	A3A	18.59 R
4"	A4A	24.60 R
6"	A6A	58.25 S



"B" FEMALE COUPLER		
SIZE	PART#	PRICE
1-1/2"	A112B	18.01 R
2"	A2B	20.85 R
2-1/2"	A212B	49.45 R
3"	A3B	34.85 R
4"	A4B	45.16 R
6"	A6B	86.80 S



"C" FEMALE COUPLER		
SIZE	PART#	PRICE
1-1/2"	A112C	15.81 R
2"	A2C	23.16 R
2-1/2"	A212C	39.93 R
3"	A3C	39.93 R
4"	A4C	60.80 R
6"	A6C	104.15 S



"D" FEMALE ADAPTER		
SIZE	PART#	PRICE
1-1/2"	A112D	19.55 R
2"	A2D	21.34 R
2-1/2"	A212D	36.85 R
3"	A3D	36.25 R
4"	A4D	50.66 R
6"	A6D	109.50 S



"DC" DUST CAP		
SIZE	PART#	PRICE
1-1/2"	A112DC	26.92 R
2"	A2DC	19.50 R
2-1/2"	A212DC	34.79 R
3"	A3DC	32.75 R
4"	A4DC	45.43 R
6"	A6DC	81.83 S



"DP" DUST PLUG		
SIZE	PART#	PRICE
1-1/2"	A112DP	7.70 R
2"	A2DP	9.60 R
2-1/2"	A212DP	15.70 R
3"	A3DP	16.64 R
4"	A4DP	27.14 R
6"	A6DP	70.25 S



"E" MALE ADAPTER		
SIZE	PART#	PRICE
1-1/2"	A112E	12.35 R
2"	A2E	13.17 R
2-1/2"	A212E	31.38 R
3"	A3E	28.33 R
4"	A4E	45.65 R
6"	A6E	76.30 S



"F" MALE ADAPTER		
SIZE	PART#	PRICE
1-1/2"	A112F	10.62 R
2"	A2F	13.17 R
2-1/2"	A212F	27.45 R
3"	A3F	28.63 R
4"	A4F	43.34 R
6"	A6F	76.30 S

# CAM LEVER COUPLERS - POLY



MALE ADAPTER X FPT "A"		
PART #	DESCRIPTION	PRICE
B12A	3/4" x 1/2" FPT	6.98 D
B34A14	3/4" x 1/4" FPT	6.98 D
B34A	3/4"	5.83 D
B100A	1"	5.83 D
B100A114	1" x 1-1/4" FPT	5.83 D
B114A	1-1/2" x 1-1/4" FPT	7.94 D
B112A	1-1/2"	6.61 D
B200A	2"	7.80 D
300200A	2" x 3" FPT	14.68 D
B300A	3"	18.82 D
B400A	4"	34.47 D



FEMALE COUPLER X MPT "B"		
PART #	DESCRIPTION	PRICE
B12B	3/4" x 1/2" MPT	15.98 D
B34B	3/4"	13.32 D
B100B	1"	15.30 D
B100B114	1" X 1-1/4" MPT	15.30 D
B114B	1-1/2" x 1-1/4" MPT	21.53 D
B112B	1-1/2"	17.94 D
B200B	2"	21.83 D
B300B	3"	36.70 D
303B	3" Extended Thread	47.06 D
B400B	4"	87.60 D



FEMALE COUPLER X BARB "C"		
PART #	DESCRIPTION	PRICE
B12C	3/4" x 1/2" HS	13.32 D
B34C	3/4"	13.32 D
B100C	1"	15.30 D
B100C114	1" X 1-1/4" HS	15.30 D
B114C	1-1/2" x 1-1/4" HS	21.55 D
B112C	1-1/2"	17.94 D
B200C	2"	21.83 D
B300C	3"	36.70 D
303C	3" w/3 Arms	47.06 D
B400C	4"	72.70 D



MALE ADAPTER X FPT "90A"		
PART #	DESCRIPTION	PRICE
150A90	1-1/2"	12.52 D
200A90	2"	14.28 D



FEMALE COUPLER X MPT "90B"		
PART#	DESCRIPTION	PRICE
200B90	2"	31.97 D



FEMALE COUPLER X BARB "90C"		
PART #	DESCRIPTION	PRICE
150C90	1-1/2"	25.78 D
200C90	2"	26.62 D



FEMALE COUPLER X MALE ADAPTER		
PART #	DESCRIPTION	PRICE
303B200A	3" X 2"	65.53 D



CAP "DC"		
PART #	DESCRIPTION	PRICE
B12CAP	3/4"	13.32 D
B34CAP	3/4"	13.32 D
B100CAP	1" - 1-1/4"	14.70 D
B112CAP	1-1/2"	17.94 D
B200CAP	2"	21.83 D
B300CAP	3"	36.70 D
B400CAP	4"	53.02 D



PLUG "DP"		
PART #	DESCRIPTION	PRICE
B12PL	3/4"	6.30 D
B34PL	3/4"	6.30 D
B100PL	1" & 1-1/4"	6.05 D
B112PL	1-1/2"	8.11 D
B200PL	2"	9.14 D
B300PL	3"	19.14 D
B400PL	4"	27.09 D
PLUG w/HANDLE		
200PLH	2"	16.45 D
300PLH	3"	25.10 D

# CAM LEVER COUPLERS - POLY



FEMALE COUPLER X FPT "D"		
PART #	DESCRIPTION	PRICE
B12D	3/4" x 1/2" FPT	13.32 D
B34D	3/4"	13.32 D
B100D	1"	15.30 D
B100D114	1" X 1-1/4" FPT	15.30 D
B114D	1-1/2" x 1-1/4" FPT	21.53 D
B112D	1-1/2"	17.94 D
B200D	2"	21.83 D
300200D	3" x 2" FPT	31.78 D
B300D	3"	36.70 D
B400D	4"	72.70 D



FEMALE COUPLER X FPT "90D"		
PART #	DESCRIPTION	PRICE
150D90	1-1/2"	25.78 D
200D90	2"	26.62 D



MALE ADAPTER X BARB "E"		
PART #	DESCRIPTION	PRICE
B12E	3/4" x 1/2" HS	6.30 D
B34E	3/4"	6.30 D
B100E	1"	6.98 D
B100E114	1" X 1-1/4" HS	6.98 D
B114E	1-1/2" x 1-1/4" HS	8.42 D
B112E	1-1/2"	7.02 D
B200E	2"	9.22 D
B300E	3"	24.13 D
B400E	4"	34.47 D



MALE ADAPTER X MPT "F"		
PART #	DESCRIPTION	PRICE
B12F	3/4" x 1/2" MPT	6.30 D
B34F	3/4"	6.30 D
B100F	1"	6.98 D
B100F114	1" X 1-1/4" MPT	6.98 D
B114F	1-1/2" x 1-1/4" MPT	8.42 D
B112F	1-1/2"	7.02 D
B200F	2"	9.20 D
B300F	3"	24.13 D
300200F	2" x 3" MPT	14.68 D
B400F	4"	34.47 D



MALE ADAPTER X MPT "45F"		
PART #	DESCRIPTION	PRICE
200F45	2"	25.19 D



MALE ADAPTER X MPT "90F"		
PART #	DESCRIPTION	PRICE
150F90	1-1/2"	15.00 D
200F90	2"	13.39 D



SPOOL ADAPTER		
PART #	DESCRIPTION	PRICE
200FF	2"	24.00 D
300F200F	3" X 2"	57.66 D
300FF	3"	57.66 D

CAM LEVER PARTS		
PART #	GASKET	PRICE
034G	3/4" EPDM	1.19 S
100G	1" EPDM	1.19 S
100GV	1" VITON	13.35 S
150G	1-1/2" EPDM	1.26 S
150GV	1-1/2" VITON	13.89 S
150GXT	1-1/2" EPDM Thick	2.28 S
200G	2" EPDM	1.33 S
200GV	2" VITON	21.51 S
200GXT	2" EPDM Thick	2.82 S
300G	3" EPDM	1.82 S
300GV	3" VITON	29.52 S
300GXT	3" EPDM Thick	3.77 S
400G	4" EPDM	4.31 S

CAM ARM w/RING		
PART #	DESCRIPTION	PRICE
100K	1" & 1-1/4"	5.10 S
150(200)K	1-1/2" & 2"	6.90 S
300K	3"	9.78 S

PINS & RINGS		
PART #	DESCRIPTION	PRICE
75P	1/2" & 3/4"	1.26 S
100P	1" & 1-1/4"	1.26 S
200P	1-1/2" & 2"	1.31 S
300P	3" & 4"	2.74 S
100RING	1/2", 3/4", 1" & 1-1/4"	1.12 S
150RING	1-1/2", 2" & 3"	1.12 S

SHIMS		
PART #	DESCRIPTION	PRICE
034S	1/2" & 3/4"	1.28 S
100S	1"	1.36 S
112S	1-1/4" & 1-1/2"	2.66 S
200S	2"	1.30 S
300S	3"	2.24 S

LANYARD		
PART #	DESCRIPTION	PRICE
V20207	11" Lanyard	3.44 S



90° SWEEP MALE ADAPTER X MPT		
PART #	PART #	PRICE
200FSW90	2"	14.32 D
300FSW90	3"	38.98 D

# MANIFOLD FITTINGS



FLANGE X MALE ADAPTER		
SIZE	PART#	PRICE
1" X 1"	M100A	7.42 D
2" X 2"	M200A	9.90 D
2"FP X 2"	M220A	10.91 D
3" X 3"	M300A	21.12 D



FLANGE X HB 45°		
SIZE	PART#	PRICE
1" X 1"	M100BRB45	16.68 D
2" X 1-1/2"	M200150BRB45	20.06 D
2" X 2"	M200BRB45	23.55 D
2"FP X 2"	M220BRB45	22.69 D
3" X 3"	M300BRB45	79.16 D



FLANGED COUPLER / COUPLER W/PORT		
SIZE	PART#	PRICE
1" X 1"	M100CPG	6.85 D
2" X 2"	M200CPG	14.58 D
2" X 2"FP	M220CPG	16.38 D
2" X 2"FP X 3" w/port	M220CPG3G	42.27 D
2" X 2"FP X 6"	M220CPG6	23.02 D
3" X 3"FP	M300CPG	19.31 D
3" X 3"FP X 7"	M300CPG7	22.76 D
3" X 3"FP X 12"	M300CPG12	118.02 D



FLANGE X MALE ADAPTER SWEEP		
SIZE	PART #	PRICE
2"FP	M220ASWP90	16.42 D
3"	M300ASWP90	82.84 D



FLANGE X HB ELBOW 90°		
SIZE	PART#	PRICE
1" X 3/4"	M100075BRB90	3.38 D
1" X 1"	M100BRB90	3.38 D
1" X 1-1/4"	M100125BRB90	3.38 D
1" X 1-1/2"	M100150BRB90	20.38 D
2" X 1"	M200100BRB90	11.27 D
2" X 1-1/4"	M200125BRB90	11.27 D
2" X 1-1/2"	M200150BRB90	10.26 D
2" X 2"	M200BRB90	11.27 D
2"FP X 1-1/2"	M220150BRB90	11.27 D
2" FP X 2"	M220BRB90	11.27 D
3" X 2"	M300220BRB90	18.62 D
3" X 3"	M300BRB90	45.28 D



45° FLANGED COUPLING		
SIZE	PART#	PRICE
1" X 1"	M100CPG45	12.64 D
2" X 2"	M200CPG45	14.90 D
2" X 2"FP	M220CPG45	17.98 D
3" X 3"FP	M300CPG45	73.50 D



FLANGE X HOSE BAR		
SIZE	PART #	PRICE
1" X 1/2"	M100050BRB	2.60 D
1" X 3/4"	M100075BRB	2.78 D
1" X 1"	M100BRB	2.78 D
1" X 1-1/4"	M100125BRB	2.78 D
2" X 1"	M200100BRB	6.10 D
2" X 1-1/4"	M200125BRB	6.30 D
2" X 1-1/2"	M200150BRB	5.54 D
2" X 2"	M200BRB	6.10 D
2"FP X 1"	M220100BRB	7.48 D
2"FP X 1-1/4"	M220125BRB	6.10 D
2"FP X 1-1/2"	M220150BRB	6.10 D
2"FP X 2"FP	M220BRB	5.54 D
3" X 2"	M300220BRB	18.73 D
3" X 3"	M300BRB	16.94 D



FLANGE X HOSE BARB SWEEP		
SIZE	PART #	PRICE
1"	M100BRB SWP90	17.02 D
1" w/gauge port	M100BRB SWPG90	17.70 D
1" X 1-1/4"	M100125BRB SWP90	14.44 D
2"FP	M220BRB SWP90	38.73 D
3"	M300BRB SWP90	75.31 D



90° FLANGED COUPLING		
SIZE	PART#	PRICE
1" X 1"	M100CPG90	8.51 D
2" X 2"	M200CPG90	14.23 D
2" X 2"SH	M200CPG90SH	14.23 D
2" X 2"FP	M220CPG90	12.94 D
3" X 3"FP	M300CPG90	61.43 D

# MANIFOLD FITTINGS



FLANGE REDUCER COUPLER		
SIZE	PART#	PRICE
2" X 1"	M200100CPG	16.54 D
2"FP X 1"	M220100CPG	18.21 D
2"FP X 2"	M220200CPG	18.21 D
3" X 2"	M300200CPG	42.50 D
3" X 2"FP	M300220CPG	68.62 D



FLANGE X FEMALE PIPE		
SIZE	PART#	PRICE
1" X 1/2"	M100050FPT	2.86 D
1" X 3/4"	M100075FPT	2.86 D
1" X 1"	M100FPT	5.38 D
2" X 2"	M200FPT	15.61 D
2"FP X 2"	M220FPT	25.15 D
3" X 3"	M300FPT	40.50 D



FLANGE X MALE THREAD		
SIZE	PART#	PRICE
1" X 3/4"	M100075MPT	3.21 D
1" X 1"	M100MPT	3.21 D
1" X 1-1/4"	M100125MPT	3.21 D
2" X 1-1/4"	M200125MPT	5.39 D
2" X 1-1/2"	M200150MPT	5.39 D
2" X 2"	M200MPT	5.39 D
2"FP X 2"	M220MPT	5.39 D
3" X 3"	M300MPT	14.97 D



FLANGED CROSS		
SIZE	PART#	PRICE
1"	M100CR	22.95 D
2"	M200CR	37.42 D
2"FP	M220CR	41.16 D
3"	M300CR	82.76 D



FLANGE X PVC GLUE SOCKET		
SIZE	PART#	PRICE
2"FP X 2"	M221GSA	16.50 D
3"FP X 3"	M301GSA	25.90 D



FLANGE X MALE NPT - SS		
SIZE	PART#	PRICE
1" X 1"	M100MPTSS	32.42 D
2" X 1-1/4"	M200125MPTSS	55.54 D
2" X 1-1/2"	M200150MPTSS	50.90 D
2" X 2"	M200MPTSS	70.73 D
2"FP X 1-1/2"	M220150MPTSS	73.91 D
2"FP X 2"	M220MPTSS	73.25 D
3" X 2"FP	M300220MPTSS	201.68 D
3" X 3"	M300MPTSS	126.95 D



FLANGE X FEMALE QDC		
SIZE	PART#	PRICE
2"FP	M220D	25.01 D
3"FP	M303D	47.99 D



FLANGE X HB TEE		
SIZE	PART#	PRICE
1" X 1"	M100100HBT	9.72 D
1" X 1-1/4"	M100125HBT	12.32 D
2"FP X 2"	M220200HBT	18.03 D
3" X 3"	M300300HBT	39.28 D



FLANGE X MPT SWEEP		
SIZE	PART #	PRICE
2"FP	M220MPTSWP90	18.05 D
3"	M300MPTSWP90	82.84 D



# MANIFOLD FITTINGS



FLANGED CHECK VALVE		
SIZE	PART#	PRICE
1"	MCV100	21.83 D
2"	MCV200	28.26 D
2"FP	MCV221	37.17 D
3"	MCV300	56.58 D



PLUG W & W/O GAUGE PORT		
SIZE	PART#	PRICE
1"	M100PLG	3.21 D
2"	M200PLG	5.39 D
2"FP	M220PLG	6.82 D
3"	M300PLG	18.21 D
1" W-1/4"	M100PLG025	12.61 D
2" W-1/4"	M200PLG025	16.30 D
2" W-3/8"	M200PLG038	17.81 D
2" W-1/2"	M200PLG050	16.30 D
2" W-3/4"	M200PLG075	16.30 D
2" W-1"	M200PLG100	16.30 D
2"FP W-3/4"	M220PLG075	24.83 D
3" W-3/4"	M300PLG075	29.46 D
3" W-1"	M300PLG100	30.37 D



FLANGE X FLANGE SWEEP		
SIZE	PART#	PRICE
1"	M100SWP90	15.65 D
1" w/port	M100SWPG90	19.47 D
2"	M200SWP90	17.78 D
2"FP x 2"	M220SWP90	16.42 D
2"FP w/port	M220SWPG90	18.94 D
2"FP x 2"	M220200SWP90	19.19 D
3" x 2" FP	M300220SWP90	75.31 D
3"	M300SWP90	68.66 D
3" w/port	M300SWPG90	82.84 D



1" Manifold Pressure Spike Valves		
PART#	PRESSURE	PRICE
MPRV100-100	100 PSI	91.76 D
MPRV100-125	125 PSI	91.76 D



MANIFOLD SWIVEL		
SIZE	PART #	PRICE
2"FP	MSW220	45.59 D



FLANGE X SOCKET WELD -SS		
SIZE	PART#	PRICE
1" X 1"	M100SWFSS	32.44 D
2" X 2"	M200SWFSS	89.22 D
2"FP X 2"	M220SWFSS	86.59 D
2"FP X 2" X 3-3/4"	M220375SWFSS	151.13 D
3" X 3"	M300SWFSS	145.62 D
3" X 3" X 3-3/4"	M300375SWFSS	248.14 D



FLANGED TEE		
SIZE	PART#	PRICE
1"	M100TEE	7.82 D
2" X 1"	M200100TEE	15.78 D
2"	M200TEE	14.97 D
2"FP X 1"	M220100TEE	16.66 D
2"FP X 2"	M220200TEE	25.38 D
2"FP	M220TEE	14.97 D
3"	M300TEE	70.53 D

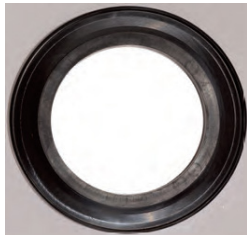
# MANIFOLD FITTINGS



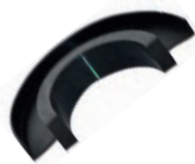
3" MANIFOLD Y		
SIZE	PART #	PRICE
3" FP x 2"FP	M300220WYCG	111.46 D



FLANGED "Y" COUPLER		
SIZE	PART#	PRICE
2"FP	M220Y45	72.79 D
2"FP w/port	M220YG45	86.82 D
3"FP	M300Y45	145.85 D
3"FP w/port	M300YG45	152.42 D



GASKET FLANGE		
SIZE	PART #	PRICE
1"	FG100	2.08 D
1-1/2"	FG200	2.22 D
2"FP	FG220	2.27 D
3"	FG300	3.25 D



FLANGE CLAMPS		
SIZE	PART#	PRICE
1"	FC100	7.50 S
2"	FC200	8.76 S
2"FP	FC220	9.11 S
3"	FC300	12.57 S



BOLTED FLANGE CLAMPS		
SIZE	PART#	PRICE
2"FP	FC220B	52.76 D
3"	FC300B	59.46 D



T-BOLT FLANGE CLAMPS		
SIZE	PART#	PRICE
2"FP	FC220TB	33.16 D
3"	FC300TB	34.65 D



GASKETS REGULAR		
SIZE	PART#	PRICE
1"	M100GV	6.93 D



GASKETS RIB		
SIZE	PART#	PRICE
1"	M101G	1.99 D
2"	M201G	2.34 D
2"FP	M221G	2.51 D
3"	M301G	2.72 D



U-BOLTS		
SIZE	PART#	PRICE
100 SERIES	UB100	27.28 D
200 SERIES	UB202	27.28 D
220 SERIES	UB220	28.81 D

# MANIFOLD FITTINGS & BOOM NOZZLE ADAPTER



FLANGE FLOW METER		
SIZE	PART #	PRICE
1"	MFM100	982.68 D
2" FP	MFM220	1,116.56 D
3" FP	MFM300	1,401.34 D



## FLOW METER

- \*Displays overall total volume & batch total volume
- \*Flow rate allows for Gallons or Liters Per Minute
- \*Self calibrating meter
- \*Measures water & most conductive liquids
- \*No moving parts to fail during use
- \*Magnetic style meter with stainless steel electrodes



VENTURI		
PART#	DESCRIPTION	PRICE
MHV200	2" Manifold Poly Venturi 1-1/2" Port	145.18 A
MHV220A	2"FP Manifold Poly Venturi	145.90 A

BOOM NOZZLE PIPE ADAPTER		
PART#	DESCRIPTION	PRICE
M100PA	1" Flanged Pipe Adapter	54.02 D
M100PAT	1" Flanged Pipe Adapter Tee	60.06 D
M100PAC	1" Flanged Pipe Adapter Cap	56.13 D



MANIFOLD INDUCTOR SYSTEM		
PART#	DESCRIPTION	PRICE
MIS220	2" FP Flange x Flange - Assembled	482.22 A
MIS300	3" FP Flange x Flange - Assembled	923.88 A

# MANIFOLD VALVES



## 4 & 6 BOLT MANIFOLD VALVES

4 & 6 Bolt Manifold Valves				
PART#	DESCRIPTION	PIPE SIZE	OPENING	PRICE
MV100CF	1" x 1" Flange Ball Valve	1"	1"	49.86 D
MV200CF	2" x 2" Flange Ball Valve	2"	1-1/2"	68.69 D
MV220CF	2" x 2"FP Flange Ball Valve	2"	2"	91.54 D
MV300	3" x 3" Flange Ball Valve	3"	2-1/2"	150.28 D
MV300CF	3" x 3"FP Flange Ball Valve	3"	3"	217.82 D



## MANIFOLD "STUBBY" VALVES



Manifold Stubby Valves				
PART#	DESCRIPTION	SIZE	OPENING	PRICE
VSMT200CF	2" Flange x 2" Male NPT	2"	1-1/2"	82.22 D
VSF200CF	2" Flange x 2" Male Adapter	2"	1-1/2"	70.58 D
MVS220FP	2"FP Flange x 2" Female NPT	2"	2"	102.22 D
MVSF220FP	2"FP Flange x 2" Male Adapter	2"	2"	85.19 D
MVS220CF	2"FP Flange x 2"FP Flange	2"	2"	85.19 D
MVSMT220FP	2"FP Flange x 2" Male NPT	2"	2"	85.19 D
MVSF300	3" Flange x 3" Male Adapter	3"	2-1/2"	169.48 D
MVSF300FP	3"FP Flange x 3" Male Adapter	3"	3"	212.18 D
MVSMT300	3" Flange x 3" Male NPT	3"	2-1/2"	217.61 D
MVS300CF	3" Flange x 3" Flange	3"	2-1/2"	169.48 D
MVS300CFFP	3"FP Flange x 3"FP Flange	3"	3"	207.32 D

## MANIFOLD "STUBBY" VALVES "STAINLESS STEEL"

SS Manifold Valves				
PART#	DESCRIPTION	PIPE SIZE	OPENING	PRICE
MVS220HSFP	2" FP Flange x 2" FP Flange	2"	2"	217.66 D
MVSF220HSFP	2" FP Flange x 2" Male NPT	2"	2"	194.98 D
MVSMT220HSFP	2"FP NPT x 2" Male Flange	2"	2"	194.98 D
MVS300HSFP	3" FP Flange x 3" FP Flange	3"	3"	407.90 D
MVSF300HSFP	3" FP Flange x 3" Male Adapter	3"	3"	365.38 D
MVSMT300HSFP	3" FP Flange x 3" Male NPT	3"	3"	407.90 D



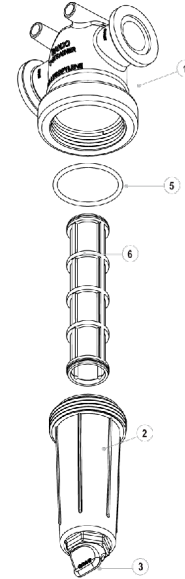
## BOTTOM & SIDE LOAD VALVES



3-Way Manifold Ball Valves				
PART#	DESCRIPTION	FLANGE SIZE	OPENING	PRICE
MV100BL	1" Flange Bottom Load	1"	1"	78.50 D
MV200BL	2" Flange Bottom Load	2"	1-1/2"	89.90 D
MV220BL	2"FP Flange Bottom Load	2"	2"	130.11 D
MV300BL	3" Flange Bottom Load	3"	3"	348.82 D
MV100SL	1" Flange Side Load	1"	1"	78.50 D
MV200SL	2" Flange Side Load	2"	1-1/2"	101.50 D
MV220SL	2"FP Flange Side Load	2"	2"	130.11 D

# MANIFOLD STRAINERS

## 1" & 1-1/2" T STRAINER



1" & 1-1/2" MANIFOLD T STRAINER				
PART #	SIZE	MESH	MAX PSI	PRICE
MLST100-30	1"	30	300	52.81 D
MLST100-50	1"	50	300	52.81 D
MLST100-80	1"	80	300	52.81 D
MLST100-100	1"	100	300	52.81 D
MLST150-30	2"	30	250	98.32 D
MLST150-50	2"	50	250	89.39 D
MLST150-80	2"	80	250	98.32 D
MLST150-100	2"	100	250	98.32 D

MANIFOLD 1" T REPLACEMENT PARTS			
ITEM	PART #	DESCRIPTION	PRICE
1	MLST100-H	1" T Head	18.72 D
2	BLST100-B	1" T Bowl, Drain Plug, O-ring	17.51 D
3	12777	1/2" Plug	3.41 D
4	UV15163	O-ring	1.18 D
5	BLST100-G	1" EPDM Gasket	4.63 D
6	BLST116	16 Mesh Screen BROWN RED	26.04 D
6	BLST130	30 Mesh Screen FLAME RED	26.06 D
6	BLST150	50 Mesh Screen GENTIAN BLUE	23.70 D
6	BLST180	80 Mesh Screen ZINC YELLOW	23.70 D
6	BLST1100	100 Mesh Screen TRAFFIC GREEN	25.46 D
KIT	MLST100-HB	Kit Includes Items 1-5	34.30 D



MANIFOLD 1-1/2" T REPLACEMENT PARTS			
ITEM	PART #	DESCRIPTION	PRICE
1	MLST150-H	1-1/2" T Body	36.87 D
2	BLST150-B	2" T Bowl, Drain Plug, O-ring	29.31 D
3	BLSQ200-PL	1-1/2" Plug	3.97 D
4	BLSQ200-R	O-ring	1.26 D
5	BLST150-G	1-1/2" EPDM Gasket	4.63 D
6	BLST1516	16 Mesh Screen BROWN RED	40.04 D
6	BLST1530	30 Mesh Screen FLAME RED	40.04 D
6	BLST1550	50 Mesh Screen GENTIAN BLUE	40.04 D
6	BLST1580	80 Mesh Screen ZINC YELLOW	40.04 D
6	BLST15100	100 Mesh Screen TRAFFIC GREEN	40.04 D
KIT	MLST150-HB	kit Includes Items 1-5	64.24 D

# MANIFOLD STRAINERS

## 1" Y STRAINER



## 2" Y STRAINER

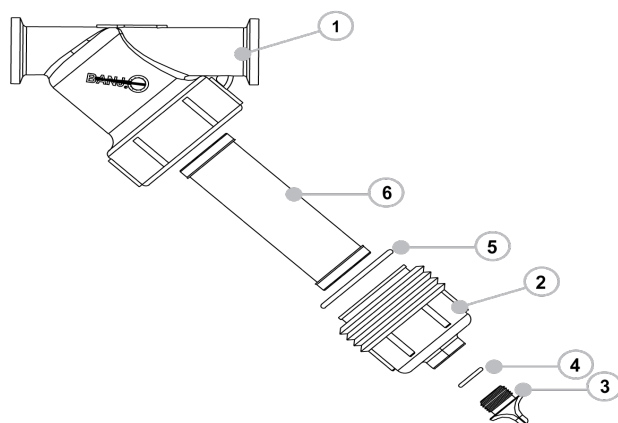


1" MANIFOLD Y STRAINER				
PART #	SIZE	MESH	MAX PSI	PRICE
MLS100-80	1"	80	225	49.64 D

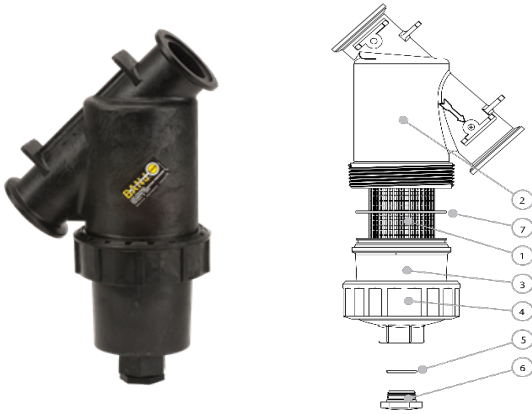
1" REPLACEMENT PARTS			
ITEM	PART#	DESCRIPTION	PRICE
1	MLS100B	1" Y Body	22.12 D
2	BLS100-C1	Bowl, Drain Plug, O-ring	17.57 D
3	12777	1/2" Plug	3.41 D
4	UV15163	O-ring	1.18 D
5	BLS100-G	1" EPDM Gasket	4.63 D
6	BLS120	20 Mesh Screen BEIGE	29.89 D
6	BLS140	40 Mesh Screen BROWN	29.89 D
6	BLS150	50 Mesh Screen GENTIAN BLUE	29.89 D
6	BLS180	80 Mesh Screen ZINC YELLOW	27.17 D
KIT	MLS100BC	Kit Includes Items 1-5	24.38 D

2" MANIFOLD "Y" STRAINER				
PART #	SIZE	MESH	MAX PSI	PRICE
MLS200-06	2"	6	225	112.99 D
MLS200-12	2"	12	225	112.99 D
MLS200-20	2"	20	225	112.99 D
MLS200-30	2"	30	225	102.73 D
MLS200-50	2"	50	225	112.99 D
MLS200-80	2"	80	225	112.99 D

2" REPLACEMENT PARTS			
ITEM	PART #	DESCRIPTION	PRICE
1	MLS200B	2" Y Body	30.57 D
2	BLS150-C	Bowl, Drain Plug, O-ring	30.57 D
3	BLSQ200-PL	2" Plug	3.97 D
4	BLSQ200-R	O-ring	1.26 D
5	BLS150-G	2" EPDM Gasket	4.63 D
6	BLS206	6 Mesh Screen WHITE	59.12 D
6	BLS212	12 Mesh Screen BLACK	54.74 D
6	BLS220	20 Mesh Screen BEIGE	54.74 D
6	BLS230	30 Mesh Screen FLAME RED	53.74 D
6	BLS250	50 Mesh Screen GENTIAN BLUE	53.74 D
6	BLS280	80 Mesh Screen ZINC YELLOW	53.74 D
6	BLS2100	100 Mesh Screen TRAFFIC GREEN	59.12 D
6	BLS2120	120 Mesh Screen BLACK	59.12 D
KIT	MLS200BC	Kit Includes Items 1-5	51.75 D



## 2" FULL PORT Y STRAINER



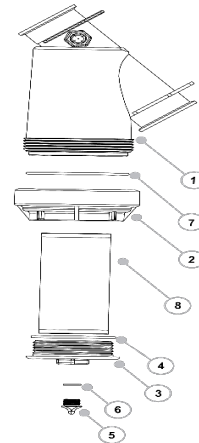
2" FP MANIFOLD Y STRAINER				
PART #	SIZE	MESH	MAX PSI	PRICE
MLS222-04	2" FP	4	225	156.78 D
MLS222-10	2" FP	10	225	172.46 D
MLS222-16	2" FP	16	225	172.46 D
MLS222-30	2" FP	30	225	156.78 D
MLS222-50	2" FP	50	225	156.78 D
MLS222-80	2" FP	80	225	172.46 D

MANIFOLD 2" FP REPLACEMENT PARTS			
ITEM	PART #	DESCRIPTION	PRICE
1	BLST210SS	10 SS Mesh Screen	81.36 D
1	BLST216SS	16SS Mesh Screen	81.36 D
1	BLST230SS	30 SS Mesh Screen	73.96 D
1	BLST250SS	50 SS Mesh Screen	73.96 D
1	MLS250SS	50 SS Mesh Perforated Screen	117.87 D
1	BLST280SS	80 SS Mesh Screen	81.36 D
1	MLS280SS	80 SS Mesh Perforated Screen	117.87 D
1	BLST2100SS	100 SS Mesh Screen	81.36 D
2	MLS222B	2" Flanged Y Strainer Body	52.73 D
3	MLS220C1	2" Flanged Y Strainer Cap	34.30 D
4	MLS220R1	2" Flanged Y Strainer Ring	19.35 D
5	BLSQ200-R	2" Plug Gasket	1.26 D
6	BLSQ200-PL	2" Plug	3.97 D
7	MLS220G1	2" Body Gasket	5.10 D
KIT	MLS222BC	Kit Includes Items 2-7	93.54 D

## 3" Y STRAINER



3" MANIFOLD Y STRAINER				
PART #	SIZE	MESH	MAX PSI	PRICE
MLS300-12	3"	12	100	630.50 D
MLS300-20	3"	20	100	573.19 D
MLS300-50	3"	50	100	573.19 D



3" FLANGED Y STRAINER REPLACEMENT PARTS			
ITEM	PART #	DESCRIPTION	PRICE
1	MLS300B1	3" Flanged Y Strainer Body	385.51 D
2	MLS300CAP	3" Flanged Y Strainer Cap	212.50 D
3	BLS300EC	3" End Cap	40.55 D
4	MLS300ECG	3" EPDM End Cap Gasket	16.37 D
5	13777	3/4" Plug	5.24 D
6	13778	O-ring	2.23 D
7	MLS300G	3" EPDM Cap Gasket	8.47 D
8	BLS308	8 SS Mesh Screen	177.98 D
8	BLS312	12 SS Mesh Screen	177.98 D
8	BLS320	20 SS Mesh Screen	161.78 D
8	BLS350	50 SS Mesh Screen	161.78 D
KIT	MLS300BC	Kit Includes Items 1-7	511.39 D

**\*WARNING: 3" "Y" Strainer to be used on suction side or non-pressure side in all applications.**

## SINGLE UNION VALVE



SINGLE UNION POLY BALL VALVE			
PART#	THREAD SIZE	PORT SIZE	PRICE
UV12	1/2"	1/2"	17.37 S
UV34	3/4"	3/4"	20.30 S
UV100	1"	1"	24.51 S
UV114	1-1/4"	1-1/4"	40.21 S
UV112	1-1/2"	1-1/2"	50.21 S
UV200	2"	2"	65.66 S
UV300	3"	3"	188.97 S
SINGLE UNION NOZZLE STYLE			
PART#	THREAD SIZE	PORT SIZE	PRICE
UV100-45	1"	1"	25.55 S

## MULTI-PORT VALVE



TRUE-UNION MULTI-PORT BALL VALVE			
PART#	THREAD SIZE	PORT SIZE	PRICE
UV34MP	3/4"	3/4"	55.89 S
SINGLE UNION MULTI-PORT BALL VALVE			
PART#	THREAD SIZE	PORT SIZE	PRICE
UV200MP	2"	2"	79.19 S



# BALL VALVES

## 4-BOLT POLY BALL VALVE



4-BOLT POLY BALL VALVE			
PART#	THREAD SIZE	PORT SIZE	PRICE
BV12FP	1/2"	1/2"	40.83 S
BV34FP	3/4"	3/4"	40.83 S
BV100FP	1"	1"	47.83 S
BV114FP	1-1/4"	1-1/4"	60.32 S
BV112FP	1-1/2"	1-1/2"	60.32 S
62046	2" Male x 2" Female	1-1/2"	61.02 S

## 6-BOLT POLY BALL VALVE



6-BOLT POLY VALVE			
PART#	THREAD SIZE	PORT SIZE	PRICE
BV200FP	2"	2"	86.01 S
BV300FP	3"	3"	203.58 S
BV400FP	4"	4"	434.44 S

## 6-BOLT MALE X FEMALE



6-BOLT FULL PORT MALE X FEMALE POLY BALL VALVE			
PART#	THREAD SIZE	PORT SIZE	PRICE
61876	2"	2"	86.01 S
62047	3"	3"	203.58 S

## 6-BOLT NOZZLE STYLE



6-BOLT NOZZLE STYLE POLY BALL VALE			
PART#	THREAD SIZE	PORT SIZE	PRICE
60544	1-1/2" FULL	1-1/2"	82.51 S
60545	2"	1-1/2"	84.48 S
60546	2" FULL	2"	117.61 S

# COMPACT BALL VALVES

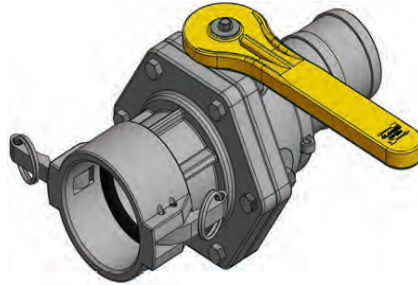


COMPACT BOLTED VALVE FP MALE X FEMALE			
PART#	THREAD SIZE	PORT SIZE	PRICE
62286	2"	2"	68.67 S
COMPACT BOLTED VALVE FP FEMALE X FEMALE			
62287	2"	2"	68.67 S
COMPACT BOLTED VALVE FP FEMALE X MALE ADAPTER			
62314	2"	2"	68.67 S
COMPACT BOLTED VALVE FP MALE X MALE ADAPTER			
62288	2"	2"	68.67 S



# 6 BOLT VSVALVES

HOSE BARB x FEMALE COUPLER VALVE		
PART #	Description	Price
VSHBD204FP	2" Hose Barb x 2" Female Coupler Full Port	93.20 D
VSHBD300FP	3" Hose Barb x 3" Female Coupler Full Port	221.83 D



FLANGE x FEMALE COUPLER VALVE		
PART #	Description	Price
MVSD220FP	2" Flange x 2" Female Coupler Full Port	93.20 D
MVSD300FP	3" Flange x 3" Female Coupler Full Port	221.83 D



METAL VALVE HANDLE Fits V125FP, V150, V200, V300, V300FP	
PART #	PRICE
V25272	29.33 D





VSFHB204FP \$77.25 D  
2" Male Cam Adapter x 2" Hose Barb



VA200FP \$111.00 D  
2" FP Nozzle Valve w 90° Sweep

VSFHB300FP \$199.89 D  
3" Male Cam Adapter x 3" Hose Barb

200CSWP90 \$29.51 D  
2" Female Coupler x 2" Hose Barb Sweep

M220300HBT \$36.14 D  
2" FP Flange x 3" Hose Barb Tee



EASY-FILL VALVES			
PART#	DESCRIPTION	MAX PSI	PRICE
VSBHB204FP	2" FP EASY-FILL VALVE	150	108.56 D
VHBHB205FP	2" FP EASY-FILL VALVE W/CARRY HANDLE	150	132.44 D
VSBHB304FP	3" FP EASY-FILL VALVE	100	257.53 D
VSBHB305FP	3" FP EASY-FILL VALVE W/CARRY HANDLE	100	281.41 D
H25053	2" & 3" CARRY HANDLE		23.89 D

# BOLTED VALVES

4-BOLT POLY VALVE			
PART#	THREAD SIZE	PORT SIZE	PRICE
BBV050	1/2"	3/4"	45.24 D
BBV075	3/4"	3/4"	45.24 D
BBV100FP	1"	1"	49.86 D
BBV125FP	1-1/4"	1-1/4"	64.10 D
BBV204FP	2"	2"	83.30 D



6-BOLT POLY VALVE			
PART#	THREAD SIZE	PORT SIZE	PRICE
BBV200FP	2"	2-1/16"	87.86 D
BBV300FP	3"	3"	209.95 D
BBV400	4"	3-1/2"	458.86 D



BOLTED POLY NOZZLE VALVE			
PART#	THREAD SIZE	PORT SIZE	PRICE
BBVA150	1-1/2"	1-1/2"	77.18 D
BBVA200	2"	1-1/2"	77.18 D
BBVA200FP	2"	2-1/16"	112.36 D




# "STUBBY" VALVES



"STUBBY" BALL VALVE & 2" FULL PORT ADAPTER VALVE			
PART#	DESCRIPTION	PORT SIZE	PRICE
BVSM200	2" MPT x 2" FPT	1.5"	70.58 D
BVSF200	2" MALE ADAPTER x 2" FPT	1.5"	70.58 D
BVSFMT200	2" MALE ADAPTER x 2" MPT	1.5"	75.08 D
BVSM204FP	2" MPT x 2" FPT	2"	85.19 D
BVSF204FP	2" MALE ADAPTER x 2" FPT	2"	85.19 D
BVSFMT204FP	2" MALE ADAPTER x 2" MPT	2"	85.19 D
BVS204FP	2" FPT x 2" FPT	2"	85.20 D
BVSF300	3" FPT x 3" MALE ADAPTER	2.5"	169.48 D
BVSFMT300	3" MPT x 3" MALE ADAPTER	2.5"	169.48 D

# STAINLESS STEEL STRAINER SCREENS

T - STRAINER SCREEN			
Part#	SIZE	Mesh	Price
LST130SS	3/4" & 1"	30	27.55 D
LST150SS	3/4" & 1"	50	27.55 D
LST180SS	3/4" & 1"	80	27.55 D
LST1100SS	3/4" & 1"	100	29.59 D
LST1530SS	1-1/2" & 2"	30	45.97 D
LST1550SS	1-1/2" & 2"	50	45.97 D
LST1580SS	1-1/2" & 2"	80	45.97 D
LST15100SS	1-1/2" & 2"	100	45.97 D



Y - STRAINER SCREEN			
Part#	SIZE	Mesh	Price
LS720SS	1/2" & 3/4"	20	34.74 D
LS740SS	1/2" & 3/4"	40	34.74 D
LS780SS	1/2" & 3/4"	80	34.74 D
LS120SS	1" & 1-1/4"	20	34.74 D
LS140SS	1" & 1-1/4"	40	34.74 D
LS180SS	1" & 1-1/4"	80	34.74 D
LS212SS	1-1/2" & 2"	12	62.66 D
LS220SS	1-1/2" & 2"	20	62.66 D
LS230SS	1-1/2" & 2"	30	62.66 D
LS250SS	1-1/2" & 2"	50	62.66 D
LS280SS	1-1/2" & 2"	80	62.66 D

**Interchangeable with other brands**

# 3-WAY BALL VALVE & REPLACEMENT PARTS



**BOTTOM LOAD:**  
DIRECTIONAL FLOW, RIGHT OR LEFT  
AND CAN BE TURNED OFF

**SIDE LOAD:**  
DIRECTIONAL FLOW, RIGHT OR LEFT  
AND CANNOT BE TURNED OFF



**BANJO 3-WAY VALVES FEATURE:**

- PRECISION MOLDED IN GLASS REINFORCED POLYPROPYLENE
- PTFE BUSHINGS & SEATS
- BALL IS DIAMOND TURNED AFTER MOLDING
- STAINLESS STEEL BOLTS

3-WAY BOTTOM LOAD			
PART#	THREAD SIZE	PORT SIZE	PRICE
BBV075BL	3/4"	1"	65.31 D
BBV100BL	1"	1"	65.31 D
BBV125BL	1-1/4"	1-1/2"	101.50 D
BBV150BL	1-1/2"	1-1/2"	101.50 D
BBV200BL	2"	2"	125.41 D

3-WAY SIDE LOAD			
PART#	THREAD SIZE	PORT SIZE	PRICE
BBV075SL	3/4"	1"	65.31 D
BBV100SL	1"	1"	65.31 D
BBV125SL	1-1/4"	1-1/2"	101.50 D
BBV150SL	1-1/2"	1-1/2"	101.50 D
BBV200SL	2"	2"	125.41 D

3-WAY BALL VALVE REPLACEMENT PARTS										
ITEM	SIZE AND DESCRIPTION									
VALVE	075BL	075SL	100BL	100SL	125BL	125SL	150BL	150SL	200BL	200SL
	VALVE BODY									
PART#	V07354B									V25354S
PRICE										21.53 D
	END PLATE									
PART#	V07357	V07357	V10257	V10257			V20257	V20257	V25356	V25356
PRICE			14.89 D	14.89 D			17.09 S	17.09 S	23.73 S	23.73 S
	STEM									
PART#	V10151A	V10151A	V10151A	V10151A	V20151M	V20151M	V20151M	V20151M	V25151B	V25151B
PRICE					10.47 S	10.47 S	10.47 S	10.47 S		
	HANDLE									
PART#	V10353TB	V10153A	V10353TB	V10153A	V10353TB	V20153	V10353TB	V20153	V25353B	V25153SH
PRICE		6.18 D	6.12 D	6.18 D	6.12 D	10.47 D	6.12 D	10.47 D	17.09 D	17.09 D
	BALL									
PART#	V10355B	V10355S	V10355B	V10355S	V20355B	V20355S	V20355B	V20355S	V25355B	V25355S
PRICE	9.38 D	9.38 D	9.38 D	9.38 D	16.00 D	16.00 D	16.00 D	16.00 D	20.42 D	20.42 D
	BALL SEATS									
PART#	V10258	V10258	V10258	V10258					V25258	V25258
PRICE	8.23 D	8.23 D	8.23 D	8.23 D					15.92 D	15.92 D
	THRUST BUSHING									
PART#	V10060	V10060	V10060	V10060	V20060	V20060	V20060	V20060	V25060	V25060
PRICE	1.86 D	1.86 S	1.86 S	1.86 D	2.53 D	2.53 D	2.53 D	2.53 D		
	STEM BUSHING									
PART#	V10159	V10159	V10159	V10159	V20159	V20159	V20159	V20159	V25160	V25160
PRICE	3.08 D	3.08 D	3.089 D	3.08 D	4.50 D	4.50 D	4.50 D	4.50 D		
	STEM O-RING									
PART#					V20163	V20163	V20163	V20163	V25163	V25163
PRICE					3.19 D	3.19 D	3.19 D	3.19 D		
	VALVE BODY O-RING									
PART#	V10264	V10264	V10264	V10264	V20264	V20264	V20264	V20264	V25264	V25264
PRICE	9.07 D	9.07 D	9.07 D	9.07 D	11.53 D	11.53 D	11.53 D	11.53 D		

# SINGLE UNION VALVE

## FEATURES:

- \* Glass reinforced polypropylene for strength & resistance
- \* EPDM O-rings handle fertilizers & chemicals
- \* Maximum operating pressure 100 P.S.I. at 70°F
- \* PTFE seats for smooth operation & sealing
- \* Double O-rings in stem for extra sealing

SINGLE UNION POLY BALL VALVE				
PART#	DESCRIPTION	THREAD SIZE	PORT SIZE	PRICE
BUV050FP	1/2" UNION VALVE	1/2"	1/2"	22.03 D
BUV075FP	3/4" UNION VALVE	3/4"	3/4"	22.03 D
BUV100FP	1" UNION VALVE	1"	1"	27.55 D
MSUV100FP	1" MANIFOLD UNION VALVE	1"	1"	27.55 D
BUV125FP	1-1/4" UNION VALVE	1-1/4"	1-1/4"	47.28 D
BUV150FP	1-1/2" UNION VALVE	1-1/2"	1-1/2"	46.95 D
BUV200FP	2" UNION VALVE	2"	2"	59.62 D



# POLY MICRO VALVE



HOSEBARB MICRO VALE		
PART#	DESCRIPTION	PRICE
LVHB38V	3/8" Hosebarb	26.69 D
LVHB12V	1/2" Hosebarb	26.69 D
LVHB34V	3/4" Hosebarb	26.69 D



MICRO HOSEBARB X MALE NPT		
PART#	DESCRIPTION	PRICE
LVHB3812MTV	3/8" Hosebarb x 1/2" Male NPT	26.69 D
LVHB34MTV	3/4" Hosebarb x 3/4" Male NPT	26.69 D
LVHB34100MTV	3/4" Hosebarb x 1" Male NPT	26.69 D



MICRO FEMALE NPT/MANIFOLD		
PART#	DESCRIPTION	PRICE
LV14V	1/4" Female NPT	26.69 D
LV38V	3/8" Female NPT	26.69 D
LV12V	1/2" Female NPT	26.69 D
LV12SLV	1/2" Side Load	36.30 D



MICRO FEMALE/MALE NPT		
PART#	DESCRIPTION	PRICE
LV14MTV	1/4" Female x Male NPT	26.69 D
LV38MTV	3/8" Female x Male NPT	26.69 D
LV3812MTV	3/8" Female x 1/2" Male NPT	26.69 D
LV12MTV	1/2" Female x Male NPT	26.69 D
LV12100MTV	1/2" Female x 1" Male NPT	30.54 D

# LOCKING MICRO VALVES



MICRO VALVES W/LOCKING HANDLE		
PART#	DESCRIPTION	PRICE
LV3812MTLV	3/8" Female x 1/2" Male NPT	36.30 D
LV12SLLV	1/2" Side Load	45.92 D
LV12100MTLV	1/2" Female x 1" Male NPT	40.15 D
LVHB34100MTLV	3/4" Hose Barb x 1" Male NPT	40.15 D

# STAINLESS, BRASS & PVC CHECK VALVES

**BRASS BALL VALVES**  
**CHROME PLATED TO RESIST CORROSION**  
**TEFLON SEATS & VITON SEALS**  
**RATED AT 300 PSI**  
**LEVER OR BUTTERFLY HANDLE**

BRASS BALL VALVE		
PART#	DESCRIPTION	PRICE
90FFB18	1/8" FPT x 1/8" FPT	16.70 S
90FMB18	1/4" FPT x 1/4" MPT	16.70 S
90FFB14	1/4" FPT x 1/4" FPT	14.41 S
90FFL14	1/4" FPT x 1/4" FPT	14.41 S
90FMB14	1/4" FPT x 1/4" MPT	14.41 S
90FML14	1/4" FPT x 1/4" MPT	14.41 S
90FFB38	3/8" FPT x 3/8" FPT	14.41 S
90FFL38	3/8" FPT x 3/8" FPT	14.41 S
90FMB38	3/8" FPT x 3/8" MPT	14.41 S
90FML38	3/8" FPT x 3/8" MPT	14.41 S
90FFB12	1/2" FPT x 1/2" FPT	17.84 S
90FFL12	1/2" FPT x 1/2" FPT	17.84 S
90FMB12	1/2" FPT x 1/2" MPT	17.84 S
90FML12	1/2" FPT x 1/2" MPT	17.84 S

B=BUTTERFLY L-LEVER



**STAINLESS STEEL BALL VALVES**  
**FULL PORT 316 STAINLESS STEEL**  
**VALVE WITH LOCKING HANDLES**  
**RATED AT 1000 PSI**



STAINLESS STEEL BALL VALVE		
PART#	SIZE	PRICE
SSBV14	1/4"	36.43 S
SSBV38	3/8"	35.40 S
SSBV12	1/2"	38.68 S
SSBV34	3/4"	46.98 S
SSBV100	1"	71.73 S
SSBV114	1-1/4"	103.90 S
SSBV112	1-1/2"	141.20 S
SSBV200	2"	194.29 S
SSBV300	3"	525.98 S

**FULL PORT BRASS BALL VALVES**  
**CHROME PLATED BRASS BALL**  
**TEFLON SEATS & SEALS**  
**RATED AT 600 PSI**



BRASS BALL VALVE		
PART#	SIZE	PRICE
BV14BR	1/4"	14.54 S
BV38BR	3/8"	13.88 S
BV12BR	1/2"	20.39 S
BV34BR	3/4"	26.48 S
BV100BR	1"	45.12 S
BV114BR	1-1/4"	80.92 S
BV112BR	1-1/2"	110.72 S
BV200BR	2"	140.50 S
BV300BR	3"	509.19 S

## PVC CHECK VALVES



PVC CHECK VALVE			
PART#	INLET SIZE	OUTLET SIZE	PRICE
CV12	1/2" FPT	1/2" FPT	9.18 S
BCV12	1/2" FPT	1/2" FPT	21.22 D
CV34	3/4" FPT	3/4" FPT	11.25 S
CV100	1" FPT	1" FPT	15.03 S
BCV100MT	1" MPT x FPT		22.36 D
BCV100	1" FPT	1" FPT	26.82 D
CV114	1-1/4" FPT	1-1/4" FPT	20.00 S
CV112	1-1/2" FPT	1-1/2" FPT	20.75 S
CV200	2" FPT	2" FPT	25.85 S
BCV221	2"FP FPT	2"FP FPT	37.18 D
BCV300	3" FPT	3" FPT	54.70 D
BCV301	3" FPT	3" FPT	53.92 D



# PUSH-IN TUBING FITTINGS



MALE CONNECTOR			
PART#	Tube OD	NPTF	PRICE
JGMC24	1/4"	1/8"	4.62 \$
JGMC44	1/4"	1/4"	3.48 \$
JGMC64	1/4"	3/8"	5.25 \$
JGMC45	5/16"	1/4"	5.70 \$
JGMC65	5/16"	3/8"	8.19 \$
JGMC46	3/8"	1/4"	5.75 \$
JGMC66	3/8"	3/8"	6.55 \$
JGMC86	3/8"	1/2"	9.10 \$
JGMC68	1/2"	3/8"	8.15 \$
JGMC88	1/2"	1/2"	8.55 \$



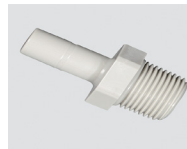
TEE UNION			
PART#	Run OD	Stem OD	PRICE
JGUT44	1/4"	1/4"	6.85 \$
JGUT55	5/16"	5/16"	6.95 \$
JGUT46	3/8"	1/4"	9.41 \$
JGUT66	3/8"	3/8"	8.40 \$
JGUT68	1/2"	3/8"	10.10 \$
JGUT88	1/2"	1/2"	10.25 \$



TUBE ELBOW BARB CONNECTOR			
PART#	Stem OD	Tube OD	PRICE
JGTEBC44	1/4"	1/4"	3.60 \$
JGTEBC45	1/4"	5/16"	
JGTEBC54	5/16"	1/4"	
JGTEBC55	5/16"	5/16"	
JGTEBC64	3/8"	1/4"	4.35 \$
JGTEBC65	3/8"	5/16"	



ELBOW UNION			
PART#	Tube OD	Tube OD	PRICE
JGUL44	1/4"	1/4"	5.15 \$
JGUL45	5/16"	1/4"	6.30 \$
JGUL55	5/16"	5/16"	
JGUL46	3/8"	1/4"	8.15 \$
JGUL66	3/8"	3/8"	8.25 \$
JGUL68	1/2"	3/8"	10.10 \$
JGUL88	1/2"	1/2"	9.96 \$



STEM ADAPTER			
PART#	Stem OD	NPTF	PRICE
JGSA24	1/4"	1/8"	1.71 \$
JGSA44	1/4"	1/4"	1.71 \$
JGSA45	5/16"	1/4"	
JGSA65	5/16"	3/8"	2.13 \$
JGSA46	3/8"	1/4"	2.13 \$
JGSA66	3/8"	3/8"	3.54 \$
JGSA68	1/2"	3/8"	6.96 \$
JGSA88	1/2"	1/2"	3.64 \$



FEMALE ADAPTER			
PART#	Tube OD	NPTF	PRICE
JGFC24	1/4"	1/8"	
JGFC44	1/4"	1/4"	7.30 \$
JGFC25	5/16"	1/8"	
JGFC45	5/16"	1/4"	7.50 \$
JGFC26	3/8"	1/8"	
JGFC64	3/8"	1/4"	7.94 \$



MALE ELBOW			
PART#	Tube OD	NPTF	PRICE
JGME24	1/4"	1/8"	4.65 \$
JGME44	1/4"	1/4"	5.30 \$
JGME64	1/4"	3/8"	5.99 \$
JGME45	5/16"	1/4"	5.20 \$
JGME65	5/16"	3/8"	5.20 \$
JGME46	3/8"	1/4"	6.55 \$
JGME66	3/8"	3/8"	8.95 \$
JGME68	1/2"	3/8"	11.59 \$
JGME88	1/2"	1/2"	



TUBE BARB CONNECTOR			
PART#	Stem OD	Tube OD	PRICE
JGTBC44	1/4"	1/4"	2.58 \$
JGTBC45	1/4"	5/16"	
JGTBC54	5/16"	1/4"	
JGTBC55	5/16"	5/16"	
JGTBC56	5/16"	3/8"	3.48 \$
JGTBC64	3/8"	1/4"	3.20 \$
JGTBC66	3/8"	3/8"	3.85 \$
JGTBC68	3/8"	1/2"	5.10 \$
JGTBC86	1/2"	3/8"	4.05 \$
JGTBC88	1/2"	1/2"	8.75 \$



TWO WAY DIVIDER			
PART#	Tube In	Tube Out	PRICE
JGTWD44	1/4"	1/4"	6.80 \$
JGTWD55	5/16"	5/16"	6.80 \$
JGTWD66	3/8"	3/8"	7.00 \$
JGTWD88	1/2"	1/2"	8.43 \$



TUBE END STOP		
PART#	Tube OD	PRICE
JGTES4	1/4"	3.09 \$
JGTES5	5/16"	2.85 \$
JGTES6	3/8"	6.06 \$
JGTES8	1/2"	

# PUSH-IN TUBING FITTINGS



CROSS		
PART#	Tube OD	PRICE
JGCR4	1/4"	
JGCR5	5/16"	
JGCR6	3/8"	
JGCR8	1/2"	



CHECK VALVE			
PART#	Tube OD	Tube OD	PRICE
CV4	1/4"	1/4"	
CV5	5/16"	5/16"	
CV6	3/8"	3/8"	
CV8	1/2"	1/2"	



VALVE UNION CONNECTOR			
PART#	Tube OD	Tube OD	PRICE
CVUC4	1/4"	1/4"	
CVUC6	3/8"	3/8"	



UNION CONNECTOR			
PART#	Tube OD	Tube OD	PRICE
JGUC44	1/4"	1/4"	5.76 \$
JGUC45	5/16"	1/4"	7.86 \$
JGUC55	5/16"	5/16"	5.52 \$
JGUC46	3/8"	1/4"	6.15 \$
JGUC56	3/8"	5/16"	
JGUC66	3/8"	3/8"	6.30 \$
JGUC68	1/2"	3/8"	9.89 \$
JGUC88	1/2"	1/2"	9.09 \$



TUBE CUTTER		
PART#		PRICE
44103218		23.58 R
REPLACEMENT BLADES		
PART#		PRICE
44103219	5/PACK	9.11 R



HAND VALVE UNION			
PART#	Tube OD	Tube OD	PRICE
HVUC4	1/4"	1/4"	
HVUC6	3/8"	3/8"	
HVUC8	1/2"	1/2"	



1181



1182

CONNECTOR MODEL 1181		
PART#	SIZE	PRICE
1181	1/8"	4.57 R
UNION MODEL 1182		
PART#	SIZE	PRICE
1182	1/8"	6.60 R



PART#	DESCRIPTION	PSI	SIZE	OPENING	PRICE
LVPL14V	1/4" Female NPT Micro Valve	150	1/4"	3/8"	31.50 D
LVPL38V	3/8" Female NPT Micro Valve	150	3/8"	3/8"	31.50 D

LINEAR GAUGE TUBING			
PART#	DESCRIPTION	Price/Foot	Price/Roll
LGT14	1/4" Linear Gauge Tubing 250 PSI (100')	0.60 R	49.50 R
LGT516	5/16" Linear Gauge Tubing 150 PSI (100')	0.96 R	78.75 R
LGT38	3/8" Linear Gauge Tubing 170 PSI (100')	0.77 R	70.20 R
LGT12	1/2" Linear Gauge Tubing 170 PSI (100')	1.24 R	101.25 R

# HOSE

\*Add R to part number when ordering rolls.

## PVC WATER SUCTION HOSE



PVC WATER SUCTION HOSE				
Part#	Size ID	PSI	Price/Ft.	Price/Roll
PVC34	3/4"	100	2.09 R	171.00 R
PVC100	1"	90	2.33 R	195.00 R
PVC114	1-1/4"	70	2.75 R	223.45 R
PVC112	1-1/2"	70	3.38 R	280.00 R
PVC200	2"	60	5.00 R	2406.00 R
PVC212	2-1/2"	60	7.50 R	588.00 R
PVC300	3"	50	10.00 R	715.75 R
PVC400	4"	45	15.00 R	1284.00 R
PVC500	5"	45		SPECIAL ORDER
PVC600	6"	35		SPECIAL ORDER

A PVC suction discharge hose for water, light chemicals and pumping service in the agricultural, rental, construction, marine and irrigation industries.

A smooth bore hose made of flexible abrasion resistant extruded clear PVC with a rigid PVC helix.

*Standard roll length 100'.*

## EPDM FERTILIZER SOLUTION SUCTION HOSE (BUMBLE BEE)



EPDM FERTILIZER SOLUTION SUCTION HOSE				
Part#	Size ID	PSI	Price/Ft	Price/Roll
BEE100	1"	80	2.78 R	237.30 R
BEE114	1-1/4"	70	3.31 R	281.40 R
BEE112	1-1/2"	60	3.57 R	304.50 R
BEE200	2"	60	4.99 R	436.80 R
BEE300	3"	50	9.62 R	855.75 R
BEE400	4"	45		SPECIAL ORDER

A EPDM with polyethylene helix reinforcement that serves as a scuff strip. A light weight, rugged, flexible suction and discharge hose for the agricultural, rental, mining and construction industries.

Hose is resistant to diluted herbicides & fertilizers and has good flexibility even in cold weather.

*Standard roll length 100'.*

## REINFORCED EPDM FERTILIZER SUCTION HOSE (ENFORCER)



REINFORCED EPDM FERTILIZER SOLUTION SUCTION HOSE					
Part#	Size ID	PSI	Price/Ft	Price 50' Roll	Price 100' Roll
EFSH 114	1-1/4"		5.28 R		455.00 R
EFSH112	1-1/2"	100	6.37 R	300.00 R	550.00 R
EFSH200	2"	60	8.75 R	395.00 S	722.25 R
EFSH300	3"	50	16.25 R	675.00 S	1,325.00 R
EFSH400	4"	45			SPECIAL ORDER

A reinforced, flexible suction & discharge hose. Hose is resistant to diluted pesticides and has good flexibility even in cold weather.

*Standard roll length 100'.*

***DUE TO THE VOLATILITY OF THE PETROLEUM MARKET, HOSE PRICES ARE SUBJECT TO CHANGE.***

*\*Add R to part number when ordering rolls.*

## CHEM-FLEX X-LINK CHEMICAL SUCTION HOSE



CHEMFLEX X-LINK CHEMICAL SUCTION HOSE				
Part#	Size ID	PSI	Price/Ft	Price/Roll
XLINK114	1-1/4"	200	25.54 R	1,858.00 R
XLINK112	1-1/2"	200	25.69 R	1,868.00 R
XLINK200	2"	200	30.72 R	2,234.00 R
XLINK300	3"	150	46.83 R	3,746.00 R

Recommended for general undiluted chemical transfer.

Cover is EPDM that is abrasion and oil resistant. Tube is two plies of synthetic textile cord and a wire helix.

*Standard roll length 100'.*



## RUBBER SPRAY HOSE

RUBBER SPRAY HOSE - 2 SPIRAL POLYESTER YARN				
Part#	Size ID	PSI	Price/Ft	Price/Roll
RSH14	1/4"	200	1.05 R	76.10 R
RSH38	3/8"	200	1.24 R	83.21 R
RSH12	1/2"	200	1.73 R	115.00 R
RSH58	5/8"	200	2.26 R	
RSH34	3/4"	200	2.70 R	167.00 R
RSH100	1"	200	3.25 R	258.39 R
RSH200	2"	200	12.63 R	Call for Price

RUBBER SPRAY HOSE - 4 SPIRAL POLYESTER YARN				
Part#	Size ID	PSI	Price/Ft	Price/Roll
RSH14HD	1/4"	300	1.74 R	145.00 R
RSH38HD	3/8"	300	1.55 R	135.00 R
RSH12HD	1/2"	300	1.98 R	161.19 R
RSH58HD	5/8"	300	3.78 R	302.28 R
RSH34HD	3/4"	300	3.25 R	250.00 R
RSH100HD	1"	200	5.03 R	311.00 R
RSH114HD	1-1/4"	150	7.45 R	Call for Price
RSH112HD	1-1/2"	150	9.00 R	Call for Price

Black EPDM rubber with a 2 or 4 spiral yarn reinforced tube.

General purpose, flexible pressure hose for various agricultural, construction and industrial purposes.

*Standard roll length 100'.*

## EPDM RUBBER WIRE SUCTION HOSE



EPDM RUBBER WIRE SUCTION HOSE				
Part#	Size ID	PSI	Price/Ft	Price/Roll
RWS100	1"	150	11.23 R	Call for Price
RWS114	1-1/4"	150	10.37 R	Call for Price
RWS112	1-1/2"	150	10.40 R	Call for Price
RWS200	2"	120	12.50 R	Call for Price
RWS300	3"	85	16.08 R	1,286.00 S
RWS400	4"	75		1,956.00 S

A lightweight and flexible hose for the agricultural and industrial industries.

The smooth EPDM tube is adaptable as a material handling, vacuum or ducting hose.

Spiral helix wire adds flexibility and crush resistance.

EPDM cover is resistant to abrasion and rough handling conditions.

*Standard roll length 100'.*

***DUE TO THE VOLATILITY OF THE PETROLEUM MARKET, HOSE PRICES ARE SUBJECT TO CHANGE.***

# HOSE

*\*Add R to part number when ordering rolls.*

## PVC SIGHT GAUGE HOSE



Clear, flexible and lightweight tubing that provides full-flow viewing.  
 Temperature range: -20F to 150F.  
**Standard roll length 100' for 1/4" to 1"**  
**50' for 1-1/4" to 2".**

PVC SIGHT GAUGE HOSE				
Part#	Size ID	PSI	Price/Ft	Price/Roll
SGH316	3/16"			
SGH14	1/4"	70	.88 R	80.00 R
SGH38	3/8"	60	1.16 R	94.50 R
SGH12	1/2"	45	1.71 R	139.50 R
SGH58	5/8"	40	1.87 R	153.00 R
SGH34	3/4"	35	2.20 R	180.00 R
SGH100	1"	25	2.70 R	220.50 R
SGH114	1-1/4"	40	7.53 R	270.90 R
SGH112	1-1/2"	35	12.50 R	450.00 R
SGH200	2"	30	16.18 R	647.00 R

## BRAIDED VINYL TUBING



PVC sight gauge tubing with braided reinforcing. Use when a clear hose needing higher working pressure and reinforcement is required.

**Standard roll length: 100' for 1/4" to 3/4"**  
**100' for 1".**

BRAIDED VINYL TUBING				
Part#	Size ID	PSI	Price/Ft	Price/Roll
BSGH14	1/4"	250	.74 R	60.00 R
BSGH38	3/8"	225	.99 R	95.63 R
BSGH12	1/2"	200	1.38 R	123.14 R
BSGH58	5/8"	200	1.73 R	141.17 R
BSGH34	3/4"	150	1.87 R	183.52 R
BSGH100	1"	125	3.00 R	253.04 R
BSGH114	1-1/4"		6.29 R	
BSGH112	1-1/2"		7.56 R	

Profile formulated to comply with FDA requirements.  
 Clear Polyvinyl Chloride reinforced with a synthetic cord.  
 Temperature range: -20F to 150F.

## EVA TUBING



Used in agricultural, lawn and chemical transfer. Handles common herbicides and insecticide solutions. Used for the application of anhydrous ammonia, aqua ammonia, herbicides, phosphates and all liquid fertilizers.

**Standard roll length: 500' for 1/4" to 1/2"**  
**300' for 1/2"**  
**250' for 5/8" to 3/4"**  
**100' for 1"**

Ethyl vinyl acetate plastic tubing.  
 Good chemical and weather resistance.  
 Temperature range: -50F to 125F.

EVA TUBING				
Part#	Size ID	PSI	Price/Ft	Price/Roll
EVA14	1/4"		.69 R	
EVA14R5 (500')	1/4"			270.00 R
EVA38	3/8"	75	.96 R	
EVA38R5 (500')	3/8"	75		390.00 R
EVA38B (Black)	3/8"		.96 R	
EVA38BR5 (Black 500')				390.00 R
EVA12	1/2"	75	1.07 R	
EVA12R5 (500')	1/2"	75		400.00 R
EVA12B (Black)	1/2"		1.12 R	
EVA12BR5 (Black 500')	1/2"			415.00 R
EVA58	5/8"	75	1.36 R	
EVA58R1 (100')	5/8"	75		111.17 R
EVA34	3/4"	60	1.75 R	
EVA34R2.5 (250')	3/4"	60		365.63 R
EVA100	1"	60	2.28 R	
EVA100R (100')	1"	60		186.75 R

**DUE TO THE VOLATILITY OF THE PETROLEUM MARKET, HOSE PRICES ARE SUBJECT TO CHANGE.**

*\*Add R to part number when ordering rolls.*

## BRAIDED EVA TUBING



Used in agricultural, lawn and chemical transfer. Handles common herbicides and insecticide solutions. Used for the application of anhydrous ammonia, aqua ammonia, herbicides, phosphates and all liquid fertilizers.  
**Standard roll length: 300' for 1/4" to 3/4" 200' for 1"**

BRAIDED EVA TUBING				
Part#	Size ID	PSI	Price/Ft	Price/Roll
BEAV14	1/4"	250	1.35 R	330.75 R
BEVA38	3/8"	225	1.98 R	466.00 R
BEVA12	1/2"	200	2.26 R	523.50 R
BEVA58	5/8"	200	3.33 R	715.75 R
BEVA34	3/4"	150	3.58 R	847.50 R
BEVA100	1"	125	6.38 R	950.00 R

Ethyl vinyl acetate plastic tubing. Good chemical and weather resistance.  
 Temperature range: -50F to 125F.

## PVC DISCHARGE HOSE



Discharge hose for water, light chemicals and the pumping service in the agricultural, rental, construction, marine and irrigation industries. Strong, lightweight, non-water-absorbing and mildew-proof hose that rolls up flat for easy storage.  
**Standard roll length 300'.**

PVC DISCHARGE HOSE				
Part#	Size ID	PSI	Price/Ft	Price/Roll
PVCD114	1-1/4"	80	1.98 R	438.45 R
PVCD112	1-1/2"	75	1.07 R	263.25 R
PVCD200	2"	70	1.35 R	330.75 R
PVCD212	2-1/2"	60	2.64 R	648.00 R
PVCD300	3"	55	2.12 R	519.75 R
PVCD400	4"	45	3.00 R	825.00 R
PVCD600	6"	40	5.50 R	1,400.00 R
PVCD800	8"	35	SPECIAL ORDER	

Tube and cover are PVC reinforced with 3 ply polyester yarns.  
 Temperature range: -5F to 130F.

## PVC HEAVY-DUTY DISCHARGE HOSE



Discharge hose for water, light chemicals and the pumping service in the agricultural, rental, construction, marine and irrigation industries. Strong, lightweight, non-water-absorbing and mildew-proof hose that rolls up flat for easy storage.  
**Standard roll length 300'.**

PVC HEAVY-DUTY DISCHARGE HOSE				
Part#	Size ID	PSI	Price/Ft	Price/Roll
PVCDHD112	1-1/2"	150	1.95 R	515.00 R
PVCDHD200	2"	150	3.44 R	843.75 R
PVCDHD212	2-1/2"	150	8.45 R	1,825.20 R
PVCDHD300	3"	150	6.82 R	1,674.00 R
PVCDHD400	4"	150	7.80 R	1,995.00 R
PVCDHD600	6"	150	SPECIAL ORDER	
PVCDHD800	8"	115	SPECIAL ORDER	

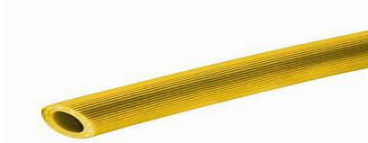
Tube and cover are PVC reinforced with 3 ply polyester yarns.  
 Temperature range: -5F to 130F

**DUE TO THE VOLATILITY OF THE PETROLEUM MARKET, HOSE PRICES ARE SUBJECT TO CHANGE.**

# HOSE

*\*Add R to part number when ordering rolls.*

## PVC SPRAY HOSE



PVC high pressure spray hose for use with fertilizer, herbicides and insecticides in both agricultural, lawn spray service, carpet cleaning and roof cleaning industries.

Standard roll length 300'.

PVC SPRAY HOSE				
Part#	Size ID	PSI	Price/Ft	Price/Roll
YPVC38	3/8"	600	1.73 R	425.00 R
YPVC12	1/2"	600	2.12 R	550.00 R
YPVC58	5/8"	600	5.14 R	1,122.00 R
YPVC34	3/4"	600	4.37 R	954.00 R

PVC Tube and cover, co-extrude with single braided synthetic cord. Black tube and yellow ribbed nonmarking cover, lightweight, flexible abrasion resistant hose.

## 620 WD DUCT HOSE



General ducting and blower applications.

For use with lightweight abrasives.

Construction : EPDM rubber, metal wire helix, smooth bore, slightly corrugated OD.

Rated for -40 to 220 degrees. Abrasion resistant yet very flexible.

100% rubber sidewall (no fabric).

620 WD DUCT HOSE			
Part#	Size ID	Working PSI	Price/Ft
620WD3	3"	12	9.40 P
620WD4	4"	9	9.70 P
620WD5	5"	7	12.32 P
620WD6	6"	6	15.56 P
620WD7	7"	5	18.36 P
620WD8	8"	4	20.32 P
620WD10	10"	3	24.82 P
620WD12	12"	3	28.98 P

***DUE TO THE VOLATILITY OF THE PETROLEUM MARKET, HOSE PRICES ARE SUBJECT TO CHANGE.***

## UNIVERSAL HOSE REEL

### ELECTRIC:

PART# HR200ESS (2") \$1,759.30 NET

PART# HR300ESS (3") \$2,571.20 NET

### FEATURES:

SPECIAL SEALED SWIVEL  
 SWIVEL 2" FULL PORT  
 POSITIVE TRANSPORT LOCK  
 LARGE HOSE CAPACITY  
 (65'- 2" OR 105' - 1-1/2")  
 EASY RETRIEVE (3-1 REDUCTION)  
 MOUNTS IN MINUTES  
 STAINLESS STEEL SWIVEL

### MANUAL:

PART# HR200SS (2") \$1,261.06 Y

### ADVANTAGES:

CRANK MOUNTS ON EITHER SIDE  
 LOAD FROM THE ROAD  
 DOUBLE OR TRIPLE HOSE LIFE  
 EXCELLENT HOSE STORAGE  
 REDUCE OPERATOR FATIGUE  
 STAINLESS STEEL SWIVEL

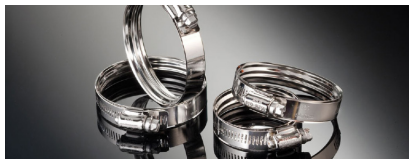


# HOSE CLAMPS



T-BOLT HOSE CLAMPS				
Part#	Min Dia	Max Dia	Size	Price
TC120	1.20"	1.34"	75 in-lbs	9.15 D
TBC150	1-3/8"	1-9/16"	1-1/2"	6.18 R
TBC175	1-5/8"	1-13/16"	1-3/4"	6.18 R
TBC188	1-3/4"	1-15/16"	1-7/8"	9.25 R
TBC200	1-7/8"	2-1/16"	2"	6.18 R
TBC225	2-1/8"	2-5/16"	2-1/4"	6.18 R
TBC238	2-1/4"	2-7/16"	2-3/8"	6.18 R
TBC250	2-3/8"	2-9/16"	2-1/2"	6.18 R
TBC256	2-11/32"	2-5/8"	2-9/16"	6.18 R
TBC263	2-13/16"	2-11/16"	2-5/8"	6.18 R
TBC275	2-17/32"	2-13/16"	2-13/16"	6.18 R
TBC300	2-25/32"	3-1/16"	3"	6.18 R
TBC312	2-29/32"	3-3/16"	3-1/8"	6.18 R
TBC325	3-1/32"	3-5/16"	3-1/4"	6.18 R
TBC350	3-9/32"	3-9/16"	3-1/2"	6.18 R
TBC375	3-17/32"	3-13/16"	3-3/4"	6.18 R
TBC400	3-25/32"	4-1/16"	4"	6.18 R
TBC450	4-9/32"	4-9/16"	4-1/2"	6.18 R
TBC475	4-17/32"	4-13/16"	4-3/4"	6.18 R

WORM GEAR HOSE CLAMPS			
Part#	Min Dia	Max Dia	Price
HCSS006	3/8"	7/8"	1.32 R
HCSS008	7/16"	1"	1.32 R
HCSS010	9/16"	1-1/16"	1.32 R
HCSS012	9/16"	1-1/4"	1.32 R
HCSS016	11/16"	1-1/2"	1.32 R
HCSS020	3/4"	1-3/4"	1.34 R
HCSS024	1-1/16"	2"	1.34 R
HCSS028	1-5/16"	2-1/4"	1.34 R
HCSS036	1-13/16"	2-3/4"	1.38 R
HCSS048	2-9/16"	3-1/2"	1.78 R
HCSS052	1-7/8"	3-3/4"	1.78 R
HCSS056	3-1/16"	4"	1.98 R
HCSS064	2-1/2"	4-1/2"	2.18 R
HCSS072	3-1/8"	5"	2.38 R
HCSS096	4-3/4"	6-1/2"	2.75 R
HCSS104	4"	7"	2.75 R



Micro Worm Gear Hose Clamps			
Part#	Min Dia	Max Dia	Price
HCSS5S	7/16"	11/16"	0.90 R
HCSS6S	1/4"	5/8"	0.90 R
HCSS8S	7/16"	1"	0.90 R

PRESSURE SEAL HD CLAMP			
Part#	Min Dia	Max Dia	Price
PC238	1.62"	2.12"	5.75 R
PC275	2.00"	2.50"	5.75 R
PC288	2.12"	2.62"	5.75 R
PC300	2.25"	2.75"	5.75 R
PC325	2.50"	3.00"	6.00 R
PC350	2.75"	3.25"	6.00 R
PC375	2.88"	3.50"	6.00 R
PC400	3.12"	3.75"	6.00 R
PC425	3.31"	4.00"	7.15 R
PC450	3.44"	4.25"	7.15 R
PC512	4.06"	4.87"	7.15 R

## Skin Saver

Protect users from cuts and scrapes.



SKIN SAVER			
PART#	USE ON	BAG QTY	PRICE
KSS500-10	Hose Clamp 1/2" Band Width	10	2.20 R
KSS625-10	Hose Clamp 5/8" Band Width	10	2.20 R
KSS562-100	Flange Clamp	10	2.20 R



# ***INSPECTION AND CARE OF ANHYDROUS AMMONIA HOSE***

## **IMPORTANT - READ CAREFULLY**

Anhydrous Ammonia hose has a limited life and the user must be alert to signs of impending failure. Periodic inspection and testing, as described in Rubber Manufacturers Association (RMA) publication IP-11-12, is recommended to detect signs indicating hose deterioration or loss of performance before conditions leading to malfunction or failure are reached.

All new hose assemblies should be inspected prior to use to determine if they have been damaged in storage or shipment. Hose subjected to severe usage - for example, dragged over sharp rock surfaces, or sharply bent in storage or continually exposed to weather - will deteriorate more rapidly than carefully handled hose. The hose should be visually inspected each day before use.

## **INSPECTION PROCEDURE:**

Lay out the full length of the hose in a clean and preferably dry area. Inspect the outside cover of the hose for blistering, excessive abrasion or cuts, and coupling slippage. This inspection will be made when the hose is not under pressure.

### **#1**

Cuts in hose cover which expose or damage the reinforcement are **cause for immediate replacement**.

Small cuts, nicks or gouges in the cover which do not go completely through the cover are not cause for replacement of the hose. Hose strength is controlled by plies of reinforcement, and for this reason, damage in this area cannot be tolerated.

**Note:** Pricking the hose cover is necessary for satisfactory hose performance. A uniformly pricked cover should not be viewed with alarm.

### **#2**

Damaged to the textile or wire braid is cause for immediate hose replacement. Wire braid reinforced hose that has been kinked or flattened, so as to permanently deform the wire braid in the depressurized state, **shall be removed from service**.

### **#3**

Blistered or loose outer cover is **cause for immediate hose replacement**.

### **#4**

Examine couplings for slippage. **Only permanently attached fittings are to be used with anhydrous ammonia hose. Bolt on or clamp on type fittings must not be used.**

## **WARNING:**

A failure in service can result in injury to personnel or damage to property. Do not use at temperatures or pressures above those recommended by Parker Dayco. Anhydrous ammonia is extremely volatile - and poisonous - in both liquid and gaseous (vapor) states. Contact with either state of anhydrous ammonia will burn skin and is especially damaging to the eyes and lungs. Improper hose applications or failure to inspect the hose may lead to life-threatening situations, poisonous gas leakages, fires or explosions. Do not use anhydrous ammonia hose for LP gas, natural gas or refrigeration applications. Do not use with male swivel couplings. Do not use LP gas hose for anhydrous ammonia applications.

**NOTE:** See price sheet for factory coupled assemblies.

**ASSEMBLIES ARE AVAILABLE WITH STAINLESS STEEL OR NYLON REINFORCEMENT WITH TWO M X M CRIMP-ON FITTINGS. APACHE COUPLED HOSES CARRY A PRORATED WARRANTY.**

**NOTE:** Warranty on bulk anhydrous ammonia hose is valid **ONLY** when coupled by a Parker Dayco certified coupler, using Parker Dayco specified couplings.

# ANHYDROUS AMMONIA HOSE

Anhydrous ammonia hose designed to handle NH3 to 350psi working pressure with 5:1 safety factor (175psi minimum burst).

Degradation resistant nylon reinforcement provided flexibility with high tensile strength.

Synthetic cover provides excellent ozone and abrasion resistance.

Compatible with N-Serve when used in recommended concentrations.

Meets or exceeds RMA/TFI/ANSI.

## Warning:

**For anhydrous ammonia use only. DO NOT use LP, natural gas or refrigeration applications. DO NOT use with male swivel couplings.**

**Tube:** Permeation resistant synthetic compound.

**Cover:** Perforated with green stripe.

**Reinforcement:** Multiple nylon braids.

**Branding:** (Side 1 embossed) Dayco USA 7262 Nylon Anhydrous Ammonia - (mfg year) - Remove no later than (year) - 350psi MAXWP RMA (s/n) - Caution Anhydrous Ammonia Use Only. (Side 2) Green identification stripe.



## NH3 HOSE ASSEMBLIES

NH3 HOSE ASSEMBLIES				NH3 HOSE ASSEMBLIES			
1" NH3 HOSE w/CRIMPED 1" MPT END				1-1/4" NH3 HOSE w/CRIMPED 1-1/4" MPT ENDS			
Part#	Size ID	Length	PSI	Part#	Size ID	Length	PSI
AAHA100-3	1"	3'	350	AAHA114-3	1-1/4"	3'	350
AAHA100-5	1"	5'	350	AAHA114-5	1-1/4"	5'	350
AAHA100-8	1"	8'	350	AAHA114-8	1-1/4"	8'	350
AAHA100-10	1"	10'	350	AAHA114-10	1-1/4"	10'	350
AAHA100-12	1"	12'	350	AAHA114-12	1-1/4"	12'	350
AAHA100-15	1"	15'	350	AAHA114-15	1-1/4"	15'	350
AAHA100-18	1"	18'	350	AAHA114-20	1-1/4"	20'	350
				AAHA114-25	1-1/4"	25'	350

**Custom sizes available: 1" , 1-1/4" & 1-1/2".  
NH3 hose w/crimped male pipe thread ends.  
Call for pricing.**

**DUE TO THE VOLATILITY OF THE PETROLEUM MARKET, HOSE PRICES ARE SUBJECT TO CHANGE.**

# PRESSURE GAUGES & ACCESSORIES

ANHYDROUS AMMONIA GAUGE			
Part#	Range	Dial Size	Price
AAG60-212	0-60 PSI	2-1/2"	24.84 S
AAG60-400	0-60 PSI	4"	48.83 S
AAG160-212	0-160 PSI	2-1/2"	24.84 S
AAG160-400	0-160 PSI	4"	48.83 S
AAG400-212	0-400 PSI	2-1/2"	24.84 S
AAG400-400	0-400 PSI	4"	48.83 S



ANHYDROUS AMMONIA

BACK MOUNT GAUGE			
Part#	Range	Dial Size	Price
BMSG30-112	0-30 PSI	1-1/2"	10.61 S
BMSG60-200	0-60 PSI	2"	11.48 S
BMSG60-212	0-60 PSI	2-1/2"	14.29 S
BMSG100-200	0-100 PSI	2"	11.48 S
BMSG100-212	0-100 PSI	2-1/2"	14.29 S
BMSG160-200	0-160 PSI	2"	11.48 S
BMSG200-212	0-200 PSI	2-1/2"	21.25 S



BACK MOUNT GAUGE

GLYCERIN FILLED GAUGE			
Part#	Range	Dial Size	Price
GSG15-400SS	15 PSI	4"	76.17 S
GSG60-212	60 PSI	2-1/2"	24.02 S
GSG60-400	60 PSI	4"	76.17 S
GSG60SS-212	60 PSI	2-1/2"	63.25 S
GSG60SS-400	60 PSI	4"	117.24 S
GSG100-212	100 PSI	2-1/2"	24.02 S
GSG100-400	100 PSI	4"	76.17 S
GSG100SS-212	100 PSI	2-1/2"	63.25 S
GSG100SS-400	100 PSI	4"	117.24 S
GSG150SS-212	150 PSI	2-1/2"	54.90 S
GBMSG160-400*	160 PSI	4"	76.17 S
GSG160-212	160 PSI	2-1/2"	24.02 S
GSG160-400	160 PSI	4"	76.17 S
GSG160SS-212	160 PSI	2-1/2"	63.25 S
GSG200-212	200 PSI	2-1/2"	24.02 S
GSG200-400	200 PSI	4"	76.17 S
GSG300-212	300 PSI	2-1/2"	24.02 S
GSG300SS-212	300 PSI	2-1/2"	63.25 S
GSG300SS-400	300 PSI	4"	117.24 S
GSG400-212	400 PSI	2-1/2"	24.02 S
GSG400-400	400 PSI	4"	76.17 S
GSG400SS-212	400 PSI	2-1/2"	63.25 S
GSG1000-212	1000 PSI	2-1/2"	24.02 S
GSG1500SS-212	1500 PSI	2-1/2"	63.25 S
GSG3000-212	3000 PSI	2-1/2"	24.02 S

\* Back Mount Gauge



GLYCERIN FILLED



SPRAYER GAUGE

SPRAYER GAUGE			
Part#	Range	Dial Size	Price
SG30-212	30 PSI	2-1/2"	13.45 S
SG60-200	60 PSI	2"	10.80 S
SG60-212	60 PSI	2-1/2"	13.45 S
SG60-400	60 PSI	4"	27.96 S
SG100-200	100 PSI	2"	10.80 S
SG100-212	100 PSI	2-1/2"	13.45 S
SG100-400	100 PSI	4"	27.96 S
SG160-112	160 PSI	1-1/2"	10.61 S
SG160-200	160 PSI	2"	10.80 S
SG160-212	160 PSI	2-1/2"	13.45 S
SG160-400	160 PSI	4"	27.96 S
SG200-212	200 PSI	2-1/2"	13.45 S
SG200-400	200 PSI	4"	27.96 S
SG300-200	300 PSI	2"	10.80 S
SG300-212	300 PSI	2-1/2"	13.45 S
SG400-212	400 PSI	2-1/2"	13.45 S
SG400-400	400 PSI	4"	35.86 S



VACUUM GAUGE

VACUUM GAUGE			
Part#	Range	Dial Size	Price
VG30-400	30 PSI	4"	35.86 S

REDUCING COUPLER			
Part#	FPT	MPT	Price
MF1814B	1/4"	1/8"	4.25 R



# HYPRO LINE STRAINERS

## HYPRO POLYPROPYLENE STRAINERS

HAVE A STAINLESS STEEL SCREEN AND EPDM GASKETS.

POLYPROPYLENE IS MOST RESISTANT TO ACIDS.

RATING: 80 PSI @ 70 DEGREES F.



HYPRO POLYPROPYLENE LINE STRAINERS			
Part#	NPT Thread	Mesh	Price
3350-0085A	1/4"F & 1/2"M	20ss	21.19 R
3350-0079A	1/4"F & 1/2"M	50ss	16.17 R
3350-0082A	1/4"F & 1/2"M	80ss	16.17 R
3350-0056A	1/2"	20ss	24.65 R
3350-0046A	1/2"	50ss	24.65 R
3350-0043A	1/2"	80 on 20ss	26.57 R
3350-0040A	3/4"	20ss	26.57 R
3350-0034A	3/4"	50ss	26.57 R
3350-0035A	3/4"	80 on 20ss	28.50 R
3350-0057A	1"	20ss	36.19 R
3350-0058A	1"	50ss	36.19 R
3350-0059A	1"	80 on 20ss	40.45 R
3350-0071A	1-1/4"	20ss	40.45 R
3350-0072A	1-1/4"	50ss	40.45 R
3350-0073A	1-1/4"	80 on 20ss	51.92 R
3350-0112A	1-1/2"	20ss	44.02 R
3350-0113A	1-1/2"	50ss	44.02 R
3350-0114A	1-1/2"	80 on 20ss	52.94 R

REPLACEMENT SCREENS	
Part#	Price
3800-0048 (20 Mesh)	8.32 R
3800-0046 (50 Mesh)	4.10 R
3800-0047 (80 Mesh)	8.10 R
3800-0029 (20 Mesh)	12.05 R
3800-0025 (50 Mesh)	10.19 R
3800-0026 (80/20 Mesh)	16.35 R
3800-0029 (20 Mesh)	12.05 R
3800-0025 (50 Mesh)	10.19 R
3800-0026 (80/20 Mesh)	16.35 R
3800-0040 (20 Mesh)	15.07 R
3800-0041 (50 Mesh)	15.07 R
3800-0042 (80/20 Mesh)	25.36 R
3800-0043 (20 Mesh)	15.07 R
3800-0044 (50 Mesh)	15.07 R
3800-0045 (80/20 Mesh)	28.68 R
3800-0065 (20 Mesh)	24.99 R
3800-0066 (50 Mesh)	22.07 R
3800-0067 (80/20 Mesh)	35.64 R

REPLACEMENT PARTS						
ITEM	SIZE AND DESCRIPTION					
	1/4"F & 1/8"M	1/2"	3/4"	1"	1-1/4"	1-1/2"
<b>Cap</b>						
PART#	3351-0035	3351-0037	3351-0038	3351-0040	3351-0041	3351-0042
PRICE	4.33 R	10.99 R	11.43 R	20.03 R	23.75 R	28.21 R
<b>Bowl</b>						
PART#	3351-0036	3351-0039	3351-0039	3351-0043	3351-0043	3351-0043
PRICE	4.00 R	7.48 R	7.48 R	29.41 R	29.41 R	29.41 R
<b>Gasket</b>						
PART#	1700-0090			1700-0092	1700-0092	1700-0092
PRICE	1.48 R			2.56 R	2.56 R	2.56 R

# Y-STRAINERS & SCREENS



### BANJO Y-LINE STRAINER FEATURES:

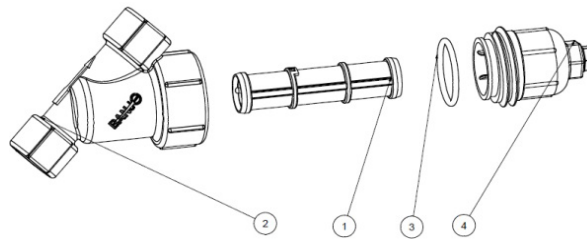
- \*MANUFACTURED FROM GLASS REINFORCED POLYPROPYLENE
- \*PRECISION MOLDED
- \*CORROSION RESISTANT
- \*SIZES FROM 1/2" TO 3"
- \*6 TO 80 MESH SCREENS
- \*CLEAN OUT PLUG ON 1-1/2", 2" & 3"
- \*EPDM GASKETS STANDARD
- \*PRESSURE RATINGS:
  - 1/2" TO 1-1/4" - 75 PSI
  - 1-1/2" TO 2" - 150 PSI
  - 3" - 75 PSI (SUCTION SIDE ONLY)



Y-LINE STRAINERS			
Part#	Size	Mesh	Price
BLS50-20	1/2"	20	45.31 D
BLS50-40	1/2"	40	41.18 D
BLS50-80	1/2"	80	45.31 D
BLS75-20	3/4"	20	41.18 D
BLS75-40	3/4"	40	41.18 D
BLS75-80	3/4"	80	45.31 D
BLS100-20	1"	20	45.31 D
BLS100-40	1"	40	45.31 D
BLS100-80	1"	80	45.31 D
BLS125-20	1-1/4"	20	45.31 D
BLS125-40	1-1/4"	40	45.31 D
BLS125-80	1-1/4"	80	49.74 D
BLS150-6	1-1/2"	6	99.68 D
BLS150-12	1-1/2"	12	90.63 D
BLS150-20	1-1/2"	20	90.63 D
BLS150-30	1-1/2"	30	99.68 D
BLS150-50	1-1/2"	50	90.63 D
BLS150-80	1-1/2"	80	99.68 D
BLS150-120	1-1/2"	120	99.68 D
BLS200-6	2"	6	99.68 D
BLS200-12	2"	12	90.63 D
BLS200-20	2"	20	90.63 D
BLS200-30	2"	30	90.63 D
BLS200-50	2"	50	90.63 D
BLS200-80	2"	80	90.63 D
BLS200-120	2"	120	99.68 D

Y-LINE STRAINER REPLACEMENT SCREENS							
ITEM	SIZE & DESCRIPTION						
	1/2"	3/4"	1"	1-1/4"	1-1/2"	2"	3"
<b>6 MESH (WHITE)</b>							
PART#					BLS206	BLS206	
PRICE					59.12 D	59.12 D	
<b>8 MESH</b>							
PART#							BLS308
PRICE							177.98 D
<b>12 MESH (BLACK)</b>							
PART#					BLS212	BLS212	BLS312
PRICE					54.74 D	54.74 D	177.98 D
<b>20 MESH (BEIGE)</b>							
PART#	BLS720	BLS720	BLS120	BLS120	BLS220	BLS220	BLS320
PRICE	29.89 D	29.89 D	29.89 D	29.89 D	53.79 D	53.79 D	161.78 D
<b>30 MESH (YELLOW) ***NEW COLOR - FLAME RED</b>							
PART#					BLS230	BLS230	
PRICE					53.74 D	53.74 D	
<b>40 MESH (BROWN)</b>							
PART#	BLS740	BLS740	BLS140	BLS140			
PRICE	27.17 D	27.17 D	29.89 D	29.89 D			
<b>50 MESH (RED) ***NEW COLOR - GENETIAN BLUE</b>							
PART#			BLS150	BLS150	BLS250	BLS250	BLS350
PRICE			29.89 D	29.89 D	53.74 D	53.74 D	161.78 D
<b>80 MESH (BLUE) ***NEW COLOR - ZINC YELLOW</b>							
PART#	BLS780	BLS780	BLS180	BLS180	BLS280	BLS280	
PRICE	29.89 D	29.89 D	27.17 D	27.17 D	53.74 D	53.74 D	
<b>120 MESH (BLACK)</b>							
PART#					BLS2120	BLS2120	
PRICE					59.12 D	59.12 D	

# Y-STRAINER PARTS, SUCTION BASKET & KLEEN FLO LAKE STRAINER



Y-LINE STRAINER REPLACEMENT PARTS						
ITEM	SIZE & DESCRIPTION					
	1/2"	3/4"	1"	1-1/4"	1-1/2"	2"
<b>Gasket</b>						
PART#	BLS75-G	BLS75-G	BLS100-G	BLS100-G	BLS150-G	BLS150-G
PRICE	3.50 D	3.50 D	4.63 D	4.63 D	4.63 D	4.63 D
<b>Gasket - Viton</b>						
PART#	BLS75-GV	BLS75-GV	BLS100-GV	BLS100-GV	BLS150-GV	BLS150-GV
PRICE	7.34 D	7.34 D	8.47 D	8.47 D	16.76 D	16.76 D
<b>Body, Cap &amp; Gasket</b>						
PART#		BLS75B/C1	BLS100B/C1	BLS125B/C1	BLS150B/C	BLS200B/C
PRICE		23.10 D	23.10 D	23.10 D	51.75 D	51.75 D
<b>Body</b>						
PART#						
PRICE						
<b>End Cap</b>						
PART#			BLS100-C1	BLS100-C1	BLS150-C	BLS150-C
PRICE			17.57 D	17.57 D	30.57 D	30.57 D
<b>Drain Plug</b>						
PART#	12723	12723	12777	12777	BLSQ200-PL	BLSQ200-PL
PRICE	2.34 D	2.34 D	3.71 D	3.71 D	3.97 D	3.97 D
<b>EPDM O-ring for Drain Plug</b>						
PART#	12724	12724	UV15163	UV15163	BLSQ200-R	BLSQ200-R
PRICE	1.06 D	1.06 D	1.18 D	1.18 D	1.26 D	1.26 D
<b>Viton O-ring for Drain Plug</b>						
PART#			UV15163V	UV15163V	BLSQ200-RV	BLSQ200-RV
PRICE			4.83 D	4.83 D	2.01 D	2.01 D

## KLEEN FLO LAKE STRAINER



THE KLEEN FLO LAKE STRAINER OUTLET IS 2" MNPT, THE SCREEN IS MADE OF RUSTPROOF FIBERGLASS NETTING. HOOKS BUILT IN TO MAIN FRAME ALLOW SUSPENDING OFF BOTTOM. GREAT FOR LAKES, SLOUGHS & RIVERS.

PART#	DESCRIPTION	PRICE
KLEENFLO1	2" KLEEN FLO LAKE STRAINER	86.00 Y
KLEENFLO2	REPLACEMENT SCREEN	28.75 Y

## SUCTION BASKET



SUCTION BASKET STRAINER		
PART#	DESCRIPTION	PRICE
200SBS	2" Female Thread Poly	24.60 D
200SBSS	2" Female Thread Plated Steel	31.65 R
300SBS	3" Female Thread Poly	55.04 D
300SBSS	3" Female Thread Plated Steel	46.98 R



# T-STRAINER & REPLACEMENT PARTS

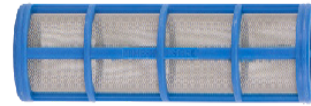


**BANJO T-LINE STRAINER FEATURES:**

- \*MANUFACTURED FROM GLASS REINFORCED POLYPROPYLENE
- \*CORROSION RESISTANT
- \*SIZES FROM 3/4" TO 1-1/2"
- \*CLEAN-OUT PLUG
- \*304 STAINLESS STEEL SCREENS
- \*EPDM GASKETS STANDARD, VITON AVAILABLE
- \*RATED TO 150 PSI @ 70F

T-LINE REPLACEMENT PARTS				
ITEM	SIZE & DESCRIPTION			
	3/4"	1"	1-1/4"	1-1/2"
<b>Head, Bowl &amp; Gasket</b>				
PART#	BLST75-HB	BLST100-HB	BLST125-HB	BLST150-HB
PRICE	29.31 D	29.31 D	64.24 D	64.24 D
<b>Head</b>				
PART#	BLST75-H	BLST100-H	BLST125-H	
PRICE	15.31 D	15.31 D	33.85 D	
<b>Bowl</b>				
PART#	BLST100-B	BLST100-B	BLST150-B	BLST150-B
PRICE	17.51 D	17.51 D	29.31 D	29.31 D
<b>Gasket</b>				
PART#	BLST100-G	BLST100-G	BLST150-G	BLST150-G
PRICE	4.63 D	4.63 D	4.63 D	4.63 D
<b>Viton Gasket</b>				
PART#	BLST100-GV	BLST100-GV	BLST150-GV	BLST150-GV
PRICE	9.60 D	9.60 D	10.72 D	10.72 D
<b>EPDM O-ring for Clean-Out Plug</b>				
PART#	UV15163	UV15163	BLSQ200-R	BLSQ200-R
PRICE	1.18 D	1.18 D	1.25 D	1.25 D
<b>Clean-Out Plug</b>				
PART#	12777	12777	BLSQ200-PL	BLSQ200-PL
PRICE	3.41 D	3.41 D	3.97 D	3.97 D
<b>Viton O-ring for Clean-Out Plug</b>				
PART#	UV15163V	UV15163V	BLSQ200-RV	BLSQ200-RV
PRICE	4.83 D	4.83 D	2.01 D	2.01 D
<b>Screen O-ring</b>				
PART#	13778	13778		
PRICE	2.23 D	2.23 D		

T-LINE STRAINERS			
Part#	Size	Mesh	Price
BLST75-16	3/4"	16	47.90 D
BLST75-30	3/4"	30	47.90 D
BLST75-50	3/4"	50	43.65 D
BLST75-80	3/4"	80	47.90 D
BLST75-100	3/4"	100	47.90 D
BLST100-16	1"	16	47.90 D
BLST100-30	1"	30	47.90 D
BLST100-50	1"	50	43.56 D
BLST100-80	1"	80	47.90 D
BLST100-100	1"	100	47.90 D
BLST125-16	1-1/4"	16	95.44 D
BLST125-30	1-1/4"	30	95.44 D
BLST125-50	1-1/4"	50	95.44 D
BLST125-80	1-1/4"	80	95.44 D
BLST150-30	1-1/2"	30	95.44 D
BLST150-50	1-1/2"	50	86.76 D
BLST150-80	1-1/2"	80	95.44 D
BLST150-100	1-1/2"	100	95.44 D



T-LINE STRAINER REPLACEMENT SCREEN				
ITEM	SIZE & DESCRIPTION			
	3/4"	1"	1-1/4"	1-1/2"
<b>16 MESH (GRAY) *** NEW COLOR - BROWN RED</b>				
PART#	BLST116	BLST116	BLST1516	BLST1516
PRICE	26.04 D	26.04 D	40.04 D	40.04 D
<b>30 MESH (YELLOW) ***NEW COLOR - FLAME RED</b>				
PART#	BLST130	BLST130	BLST1530	BLST1530
PRICE	26.06 D	26.06 D	40.04 D	40.04 D
<b>50 MESH (RED) ***NEW COLOR - GENETIAN BLUE</b>				
PART#	BLST150	BLST150	BLST1550	BLST1550
PRICE	23.70 D	23.70 D	40.04 D	40.04 D
<b>80 MESH (BLUE) ***NEW COLOR - ZINC YELLOW</b>				
PART#	BLST180	BLST180	BLST1580	BLST1580
PRICE	23.70 D	23.70 D	40.04 D	40.04 D
<b>100 MESH (GREEN) ***NEW COLOR - TRAFFIC GREEN</b>				
PART#	BLST1100	BLST1100	BLST15100	BLST15100
PRICE	25.46 D	25.46 D	40.04 D	40.04 D



# FLUSH-OUT LINE STRAINER

## & REPLACEMENT PARTS

AA126ML STRAINER			
PART#	SIZE	MESH	PRICE
AA126ML-3-30	3/4"	30	47.36 S
AA126ML-3-50	3/4"	50	47.36 S
AA126ML-3-80	3/4"	80	47.36 S
AA126ML-3-100	3/4"	100	47.36 S
AA126ML-4-30	1"	30	47.36 S
AA126ML-4-50	1"	50	47.36 S
AA126ML-4-80	1"	80	47.36 S
AA126ML-4-100	1"	100	47.36 S
AA126ML-5-30	1-1/4"	30	96.91 S
AA126ML-5-50	1-1/4"	50	96.91 S
AA126ML-5-80	1-1/4"	80	96.91 S
AA126ML-5-100	1-1/4"	100	96.91 S
AA126ML-6-30	1-1/2"	30	96.91 S
AA126ML-6-50	1-1/2"	50	96.91 S
AA126ML-6-80	1-1/2"	80	96.91 S
AA126ML-6-100	1-1/2"	100	96.91 S

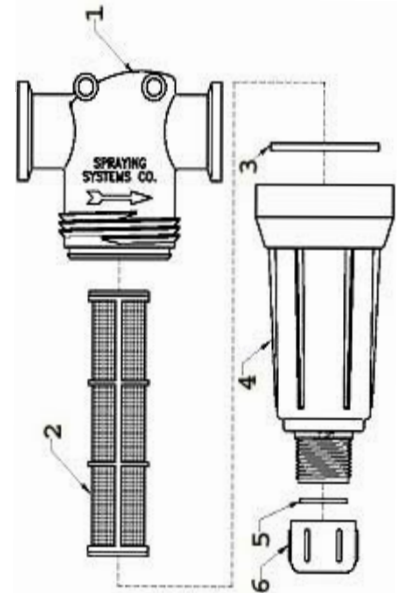
### AA126 Flush-out Line Strainer

#### Features:

- \*200 PSI maxium pressure
- \*Glass-filled polypropylene with EPDM gasket
- \*Screens made of 304SS are removable for cleaning
- \*Removable cap & o-ring for flush-out or self-cleaning
- \*Replaces AA124



REPLACEMENT PARTS				
ITEM	SIZE & DESCRIPTION			
	3/4"	1"	1-1/4"	1-1/2"
#1	Head			
PART#	CP50492-3/4-PP	CP50492-1-PP	CP63065-1-1/4-PP	CP63066-1-1/2-PP
PRICE	17.40 S	17.40 S	35.39 S	35.39 S
#2	Screen 30 Yellow - NEW COLOR - FLAME RED			
PART#	CP16903-3-SSPP	CP16903-3-SSPP	CP15941-2-SSPP	CP15941-2-SSPP
PRICE	19.03 S	19.03 S	26.80 S	26.80 S
#2	Screen 50 Red - NEW COLOR - GENTIAN BLUE			
PART#	CP16903-4-SSPP	CP16903-4-SSPP	CP15941-3-SSPP	CP15941-3-SSPP
PRICE	19.03 S	19.03 S	26.80 S	26.80 S
#2	Screen 80 Blue - NEW COLOR - ZINC YELLOW			
PART#	CP16903-5-SSPP	CP16903-5-SSPP	CP15941-4-SSPP	CP15941-4-SSPP
PRICE	19.03 S	19.03 S	26.80 S	26.80 S
#2	Screen 100 Green - NEW COLOR - TRAFFIC GREEN			
PART#	CP16903-6-SSPP	CP16903-6-SSPP	CP15941-5-SSPP	CP15941-5-SSPP
PRICE	19.03 S	19.03 S	26.80 S	26.80 S
#3	Gasket - Bowl			
PART#	CP50494-EPR	CP50494-EPR	CP48656-EPR	CP48656-EPR
PRICE	3.21 S	3.21 S	6.46 S	6.46 S
#4	Bowl			
PART#	CP50493-PP	CP50493-PP	CP48654-PP	CP48654-PP
PRICE	17.17 S	17.17 S	35.13 S	35.13 S
#5	Gasket - Cap			
PART#	CP63150-EPR	CP63150-EPR	CP63150-EPR	CP63150-EPR
PRICE	4.24 S	4.24 S	4.24 S	4.24 S
#6	Cap			
PART#	CP48655-PP	CP48655-PP	CP48655-PP	CP48655-PP
PRICE	6.27 S	6.27 S	6.27 S	6.27 S





## PRESSURE RELIEF & THROTTLING VALVES

### DIAPHRAGM-TYPE PRESSURE RELIEF/REGULATING VALVE

BYPASSES EXCESS LIQUID. CHOICE OF 1/2" AND 3/4" NPT SIZES. CHEMICAL RESISTANT DIAPHRAGM SEALS OFF OPERATING PARTS FROM CONTACT WITH CHEMICALS AND REMAINS RESILIENT FOR CHATTER-FREE, RESPONSIVE PRESSURE CONTROL.



**8460 FEATURES:**  
 STAINLESS SPRINGS  
 FULL FLOW  
 NYLON & ALUMINUM CONSTRUCTION

DIAPHRAGM RELIEF MODEL 8460			
PART#	SIZE	RATING PSI	PRICE
8460-1/2	1/2"	300	91.58 S
8460-3/4	3/4"	300	91.58 S

## PISTON-TYPE PRESSURE RELIEF/REGULATING VALVES

PISTON STYLE VALVES BYPASS EXCESS LIQUID. ADJUSTABLE TO MAINTAIN CONTROL OF LINE PRESSURE AT ANY PRESSURE WITHIN THE VALVE'S OPERATING RANGE. SELECTED PRESSURE SETTING FIRMLY HELD IN PLACE BY LOCK-NUT. EXTRA LARGE VALVE PASSAGES TO HANDLE LARGE FLOW.



**110 FEATURES:**  
 REMOVABLE BONNET FOR SERVICING WITHOUT VALVE REMOVAL  
 DUCTILE IRON, ALUMINUM OR BRASS CONSTRUCTION

PISTON TYPE RELIEF MODEL 110			
PART#	SIZE	RATING PSI	PRICE
AA110-114	1-1/4"	150	363.56 S
AA110-112	1-1/2"	150	363.56 S
AA110-114DI	1-1/4"	150	284.43 S
AA110-112DI	1-1/2"	150	284.43 S
AA110-114AL	1-1/4"	150	246.44 S
AA110-112AL	1-1/2"	150	246.44 S



**23520 FEATURES:**  
 POLYPROPYLENE CONSTRUCTION  
 PRESSURE TO 150 PSI (10 BAR)  
 10 PSI PRESSURE DROP AT 6 GPM 1/2"  
 10 PSI PRESSURE DROP AT 18 GPM 3/4"

PISTON STYLE THROTTLE VALVE MODEL 23520			
PART#	SIZE	RATING PSI	PRICE
23520-1/2-PP	1/2"	150	43.25 S
23520-3/4-PP	3/4"	150	43.25 S



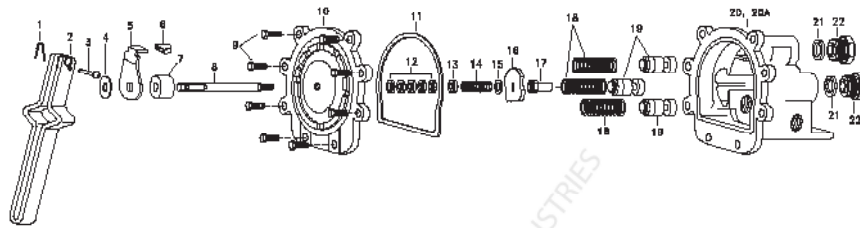
**23120 FEATURES:**  
 STAINLESS SPRING  
 EXCELLENT CHEMICAL RESISTANCE  
 1/4" PORT FOR PRESSURE GAUGE

PISTON STYLE RELIEF MODEL 23120			
PART#	SIZE	RATING PSI	PRICE
23120-1/2-PP	1/2"	150	49.91 S
23120-3/4-PP	3/4"	150	49.91 S

# BOOM CONTROL VALVE

*TeeJet Control Valve for the selective control of three-section boom sprayers at pressures up to 300 PSI.*

TEEVALVE BOOM CONTROL VALVE				
PART#	INLET	OUTLET	XTRA OUTLET	PRICE
AA17L	3/4" NPT	3/4" NPT	3/4" NPT	187.04 \$
AA17Y	1" NPT	3/4" NPT	3/4" NPT	187.04 \$



**USE TO OPEN ANY OF THREE BOOM LINES IN ANY COMBINATION.**

**RAISE LEVER TO OPEN, LOWER TO CLOSE WITHOUT CHANGING THE INDEXED POSITION.**

**ALUMINUM CONSTRUCTION WITH STAINLESS STEEL AND PLASTIC INTERNAL PARTS FOR MAXIMUM CORROSION RESISTANCE.**

AA17 PARTS			
REF#	PART#	DESCRIPTION	PRICE
1	CP8012-1/2SS	COTTER KEY	2.27 \$
2	CP6849-1-IZP	HANDLE	13.27 \$
3	CP7206-IZP	RIVET	7.91 \$
4	CP6976-IZP	WASHER SPRING	5.67 \$
5	CP12128-IZP	SHIELD	8.77 \$
6	CP12127-CE	SHIELD TIP	5.83 \$
7	CP12129-CE	SPACER	7.83 \$
8	CP6972-SS	STEM	15.63 \$
9	CP20607-IZP	SCREW (REQ 8)	3.26 \$
10	CP12126-AL	COVER PLATE	73.03 \$
11	CP6975-BU	GASKET BUNA-N	12.63 \$
12	CP5809-LEA	PACKING (REQ 5)	2.27 \$
13	CP12130-SS	PACKING GLAND	11.20 \$
14		MAIN SPRING	
15		WASHER SS	
16	CP6971-AL	SELECTOR CAM	6.34 \$
17		GUIDE NUT	
18	CP6959-SS	VALVE SPRING (REQ 3)	4.75 \$
19	CP6956-CE	VALVE STEM (REQ 3)	5.85 \$
20	CP6934-34-AL	BODY	85.06 \$
21	CP6958-POL	SEAT PLATE (REQ 3)	9.69 \$
22	CP7902-AL	OUTLET ADAPTER (REQ 3)	14.21 \$

# 12 VOLT CONTROL VALVES

## 12 VOLT SOLENOID VALVES



THESE VALVES ARE DIRECT ACTING WITH LARGE INTERNAL FLOW CHAMBERS WITHOUT PILOT HOLES WHICH REDUCE THE CHANCES OF PLUGGING. STAINLESS STEEL WETTED PARTS PROVIDE ADDITIONAL CORROSION RESISTANCE.

OPERATES ON 12VDC.

144A ENCAPSULATED SOLENOID CAN BE CHANGED WITHOUT REMOVING VALVE FROM SYSTEM.



### 144A ELECTRIC VALVE

### 145 & 146 ELECTRIC VALVE

SPRAYING SYSTEMS SOLENOID VALVE					
PART#	INLET	OUTLET	MAX PSI	GPM	PRICE
AA144A-1	3/4"	1/2"	100	10	223.92 \$
AA144A-2	3/4"	1/2"	100	10	453.59 \$
AA144A-3	3/4"	1/2"	100	10	683.31 \$
AA145H-1	1"	1"	100	15	512.65 \$

VALVE REPAIR KITS		
VALVE#	KIT#	PRICE
144-1	AB144-1-KIT	40.25 \$
144A-1	AB144A-1-KIT	40.25 \$
144A-1	AB144A-1-VI-KIT	60.18 \$
145H-1	AB145H-KIT	72.45 \$
244C	AB244C-KIT	16.60 \$

## 344B SHUT-OFF AND REGULATING BALL VALVES



- \*2 & 3 WAY VALVES AVAILABLE
- \*3/4" & 1" FNPT CONNECTIONS
- \*12 VOLT OPERATION
- \*WETTED PARTS ARE NYLON, POLYPROPYLENE, STAINLESS STEEL, TEFLON & VITON



SPRAYING SYSTEMS 12 VOLT SHUTOFF AND CONTROL VALVES							
PART#	OLD PART#	PORT SIZE	FLOW RATE	MAX PSI	TIME	TYPE	PRICE
344BEC-23-C	AA344AEC-2-3/4	3/4"	32 GPM	300	0.6 SEC	SHUTOFF	443.33 \$
344BEC-24-C	AA344AEC-2-1	1"	32 GPM	300	0.6 SEC	SHUTOFF	443.33 \$
344BEC-33-C	AA344AEC-3-3/4	3/4"	24 GPM	300	0.6 SEC	3-WAY	542.54 \$
344BEC-34-C	AA344AEC-3-1	1"	24 GPM	300	0.6 SEC	3-WAY	542.54 \$
344BRL-23-01C	AA344AE-2PR-34	3/4"	27 GPM	300	18 SEC	REGULATING	455.62 \$
344BRL-24-01C	AA344AE-2PR-1	1"	27 GPM	300	18 SEC	REGULATING	455.62 \$
344BRL-23-03C		3/4"	27 GPM	300	6 SEC	REGULATING	455.62 \$
344BRL-24-03C		1"	27 GPM	300	6 SEC	REGULATING	455.62 \$

# ELECTRIC VALVES

## MINI ELECTRIC VALVES

PART#	DESCRIPTION	PSI	SIZE	OPENING	PRICE
LEV038	3/8" Full Port Electric Valve	200	3/8"	3/8"	155.82 A
LEV050	1/2" Full Port Electric Valve	200	1/2"	15/32"	155.82 A



### FEATURES:

- \*12 Volt DC
- \* Stationary current draw: less than 0.04 amps
- \* Rotating current draw: less than 0.04 amps
- \* Stall current: 0.75 amps
- \* Response time: 1/3 sec open to close
- \* TFM seats
- \*EPDM seals
- \* Fiberglass reinforced polypropylene
- \* Integrated mounting slot
- \* Standard 3 wire configuration
- \*Max Pressure =200 PSI @ 70°F



## MINI MANIFOLD ELECTRIC VALVE

PART#	DESCRIPTION	PSI	SIZE	OPENING	PRICE
MLEV100	1" Electric Valve	200	1"	1/2"	166.30 A

## LEV SERIES ELECTRIC PUSH LOCK VALVES

### FEATURES:

- \*12 Volt DC
- \* Stationary current draw: less than 0.04 amps
- \* Rotating current draw: less than 0.04 amps
- \* Stall current: 0.75 amps
- \* Response time: 1/3 sec open to close
- \* TFM seats
- \*EPDM seals
- \* Fiberglass reinforced polypropylene
- \* Integrated mounting slot
- \* Standard 3 wire configuration
- \*Max Pressure 150 PSI

PART#	DESCRIPTION	PSI	SIZE	OPENING	PRICE
LEV38PL	3/8" FP Electric Valve	150	3/8"	3/8"	174.68 A





\*12-volt DC operated  
 \*316 stainless steel ball & stem  
 \*Fiberglass reinforced polypropylene

\*Open/Closed indicator  
 \*stainless steel hardware



## ON/OFF & REGULATING

EVX ON/OFF WELDED/BOLTED ELECTRIC VALVE								
WELDED		DESCRIPTION	MAX PSI	PIPE SIZE	OPENING THRU BALL	RESPONSE TIME IN SECONDS	BOLTED	
PART#	PRICE						PART#	PRICE
		3/4" VALVE	300	3/4"	1"	3/4	EVX071	399.64 A
		1" FP VALVE	300	1"	1"	3/4	EVX101	409.62 A
		1-1/4" STD VALVE	300	1-1/4"	1"	3/4	EVX121	399.64 A
		1-1/2" FP VALVE	300	1-1/2"	1-1/2"	1-1/2	EVX151	585.80 A
		2" STD VALVE	300	2"	1-1/2"	1-1/2	EVX201	585.80 A
		2" FP VALVE	250	2"	2"	1-1/2	EVX221	633.80 A
EVX300	1,152.52 A	3" FP VALVE	150	3"	3"	3		

EVX REGULATING WELDED/BOLTED ELECTRIC VALVE								
WELDED		DESCRIPTION	MAX PSI	PIPE SIZE	OPENING THRU BALL	RESPONSE TIME IN SECONDS	BOLTED	
PART#	PRICE						PART#	PRICE
		3/4" VALVE	300	3/4"	1"	3/4	EVXR071	409.62 A
EVXR100	583.48 R	1" FP VALVE	300	1"	1"	3/4	EVXR101	399.64 A
	S	1-1/4" STD VALVE	300	1-1/4"	1"	3/4	EVXR121	COMING SOON
		1-1/2" FP VALVE	300	1-1/2"	1-1/2"	1-1/2	EVXR151	732.25 A
	S	2" STD VALVE	300	2"	1-1/2"	1-1/2	EVXR201	COMING SOON
	S	2" FP VALVE	250	2"	2"	1-1/2	EVXR221	792.25 A
		3" FP VALVE	150	3"	3"	4	EVXR300	1,440.65 A

## BOTTOM & SIDE LOAD

EVX WELDED BOTTOM/SIDE LOAD ELECTRIC VALVE								
BOTTOM LOAD		DESCRIPTION	MAX PSI	PIPE SIZE	OPENING THRU BALL	RESPONSE TIME IN SECONDS	SIDE LOAD	
PART#	PRICE						PART#	PRICE
EVX075BL	460.32 A	3/4" FP VALVE	300	3/4"	1"	3/4	EVX075SL	467.72 A
EVX100BL	449.10 A	1" FP VALVE	300	1"	1"	3/4	EVX100SL	449.10 A
EVX125BL	460.32 A	1-1/4" FP VALVE	250	1-1/4"	1"	3/4	EVX125SL	449.10 A
EVX150BL	648.26 A	1-1/2" FP VALVE	250	1-1/2"	1-1/2"	1-1/2	EVX150SL	648.26 A
EVX200BL	648.26 A	2" STD VALVE	250	2"	1-1/2"	1-1/2	EVX200SL	648.26 A
EVX220BL	696.44 A	2" FP VALVE	150	2"	2"	1-1/2	EVX220SL	696.44 A

EVX BOLTED BOTTOM/SIDE LOAD REGULATING ELECTRIC VALVE								
BOTTOM LOAD		DESCRIPTION	MAX PSI	PIPE SIZE	OPENING THRU BALL	RESPONSE TIME IN SECONDS	SIDE LOAD	
PART#	PRICE						PART#	PRICE
EVXR075BL	COMING SOON	3/4" FP VALVE	300	3/4"	1"	3/4	EVXR075SL	COMING SOON
EVXR100BL	COMING SOON	1" FP VALVE	300	1"	1"	3/4	EVXR100SL	COMING SOON
EVXR125BL	COMING SOON	1-1/4" FP VALVE	300	1-1/4"	1"	3/4	EVXR125SL	COMING SOON
EVXR150BL	COMING SOON	1-1/2" FP VALVE	300	1-1/2"	1-1/2"	1-1/2	EVXR150SL	COMING SOON
EVXR200BL	COMING SOON	2" STD VALVE	250	2"	1-1/2"	1-1/2	EVXR200SL	COMING SOON
EVXR220BL	COMING SOON	2" FP VALVE	150	2"	2"	1-1/2	EVXR220SL	COMING SOON

# ELECTRIC BALL VALVES



- \*12-volt DC operated
- \*316 stainless steel ball & stem
- \*Fiberglass reinforced polypropylene

- \*Open/Closed indicator
- \*stainless steel hardware



## ON/OFF & REGULATING

MEVX ON/OFF WELDED/BOLTED ELECTRIC VALVE								
WELDED		DESCRIPTION	MAX PSI	PIPE SIZE	OPENING THRU BALL	RESPONSE TIME IN SECONDS	BOLTED	
PART#	PRICE						PART#	PRICE
MEVX100	409.63 A	1" FP VALVE	300	1"	1"	3/4	MEVX101	409.62 A
MEVX200	600.44 A	2" STD VALVE	300/250	2"	1-1/2"	1-1/2	MEVX201	600.44 A
MEVX220	633.80 A	2" FP VALVE	250/150	2"	2"	1-1/2	MEVX221	633.80 A
MEVX300	1,152.52 A	3" FP VALVE	150	3"	3"	3		

MEVX REGULATING WELDED/BOLTED ELECTRIC VALVE								
WELDED		DESCRIPTION	MAX PSI	PIPE SIZE	OPENING THRU BALL	RESPONSE TIME IN SECONDS	BOLTED	
PART#	PRICE						PART#	PRICE
MEVXR100	409.62 A	1" FP VALVE	300	1"	1"	4	MEVXR101	409.62 A
MEVXR200	600.44 A	2" STD VALVE	300/250	2"	1-1/2"	4	MEVXR201	COMING SOON
MEVXR220	633.80 A	2" FP VALVE	250/150	2"	2"	4	MEVXR221	COMING SOON
MEVXR300	1,152.52 A	3" FP VALVE	150	3"	3"	4		

## BOTTOM & SIDE LOAD

MEVX BOTTOM/SIDE LOAD ELECTRIC VALVE								
BOTTOM LOAD		DESCRIPTION	MAX PSI	PIPE SIZE	OPENING THRU BALL	RESPONSE TIME IN SECONDS	SIDE LOAD	
PART#	PRICE						PART#	PRICE
MEVX100BL	451.13 A	1" FP VALVE	300	1"	1"	3/4	MEVX100SL	460.32 A
MEVX200BL	651.19 A	2" STD VALVE	250	2"	1-1/2"	1-1/2	MEVX200SL	664.48 A
MEVX220BL	699.61 A	2" FP VALVE	125	2"	2"	1-1/2	MEVX220SL	713.86 A
MEVX300BL	1,242.44 A	3" FP VALVE	200	3"	3"	3		

MEVX BOTTOM/SIDE LOAD REGULATING ELECTRIC VALVE								
BOTTOM LOAD		DESCRIPTION	MAX PSI	PIPE SIZE	OPENING THRU BALL	RESPONSE TIME IN SECONDS	SIDE LOAD	
PART#	PRICE						PART#	PRICE
MEVXR100BL	COMING SOON	1" FP VALVE	300	1"	1"	3/4	MEVXR100SL	460.32 A
MEVXR200BL	COMING SOON	2" STD VALVE	300	2"	1-1/2"	1-1/2	MEVXR200SL	664.48 A
MEVXR220BL	COMING SOON	2" FP VALVE	250	2"	2"	1-1/2	MEVXR220SL	713.86 A
MEVXR300BL	COMING SOON	3" STD VALVE	150	3"	3"	3		

## MEVX 1" ON/OFF WELDED/BOLTED BANKED ELECTRIC VALVES

WELDED		DESCRIPTION	MAX PSI	FLANGE INLET SIZE	FLANGE OUTLET SIZE	BOLTED	
PART#	PRICE					PART#	PRICE
MEVX102	894.54 A	1" FP 2 BANK	300	2"	1"	MEVX1012	894.48 A
MEVX103	1,341.80 A	1" FP 3 BANK	300	2"	1"	MEVX1013	1,309.08 A
MEVX104	1,789.08 A	1" FP 4 BANK	300	2"	1"	MEVX1014	1,745.44 A



# QUICK TEEJET CAPS & GASKETS



	PART#		COMPATIBLE TIPS	PRICE
	TOP CAP & GASKET			
	OLD	CURRENT		
	25612-X-NYR	114441-X-CELR	TP Standard (0067-01), XR (01-08)	1.52 S
	CP25611-X-NY	CP114440-X-CE	DG, TT, TTJ60, AIXR, OC	1.08 S
		25610-X-NYR	TP Standard (10-20), XR (10-15)	1.72 S
		CP25609-X-NY		1.25 S
	25598-X-NYR	114443-X-CELR	TJ60, AI & AIUB, SJ3, DG TwinJet)	1.72 S
	CP25597-X-NY	CP114442-X-CE	TTI, AITTJ60 (02-06)	1.25 S
		98579-1-NYR	AI3070 & AITTJ60 (08-15)	2.83 S
		CP98578-1-NY		2.04 S
		25600-X-NYR	Tube FloodJet, TK-VS FloodJet	1.72 S
		CP25599-X-NY	TK-VP FloodJet	1.25 S
	25608-X-NYR	114445-X-CELR	TK FloodJet, FLFullJet, TX/TXA ConeJet	1.72 S
	CP25607-X-NY	CP114444-X-CE	TG Full Cone, Hose Shank, AITXA ConeJet, Disc/Core	1.25 S
		QJ4676-45-1/4-NYR	45* Quick TeeJet Cap with 1/4" NPT female thread outlet	6.44 S
		QJ4676-90-1/4-NYR	90* Quick TeeJet Cap with 1/8" NPT female thread outlet	6.44 S
		QJ4676-1/8-NYR	1/8" NPT female thread outlet	3.40 S
		QJ4676-1/4-NYR	1/4" NPT female thread outlet	3.40 S
	19843-NYR	114447-1-CELR	Shutoff Cap	3.25 S
		CP19438-EPR	Gasket (EPDM)	0.76 S
		CP19438-VI	Gasket (Viton)	3.05 S
		CP18999-EPR	Gasket (EPDM) Disc/Core	1.60 S
		CP18999-VI	Gasket (Viton) Disc/Core	9.64 S

NUMBER	COLOR
1	BLACK
2	WHITE
3	RED
4	BLUE
5	GREEN
6	YELLOW
7	BROWN
8	ORANGE
10	VIOLET

**ADD THE FOLLOWING  
NUMBER TO THE END OF THE  
CAP & GASKET PART NUMBER  
TO SPECIFY  
COLOR NEEDED.**

**EXAMPLE:  
CAP & GASKET IN RED  
25612-3**

**QUICK  
TEE-JET CAP**



**QUICK TEE-JET CAP & GASKET SET**

**SEAT GASKET  
CP19438-EPR  
(EPDM STANDARD)  
CP19438-VI  
(VITON OPTIONAL)**



# QJ-VR & PTC-VR

## VARIABLE RATE FERTILIZER ASSEMBLIES

**FEATURES:**

- \* Both QJ-VR and PTC-VR are ideal for installation on planters and toolbars for liquid fertilizer metering and applications.
- \* PTC-VR - nylon construction for excellent strength and chemical resistance.
- \* QJ-VR - acetal and nylon construction with choice of nylon or stainless steel hose barbs for strength and excellent chemical resistance.
- \* Simple, elastomer (EPDM) variable orifice for reliable, long-term operation.
- \* Recommended operating pressure: 10-100 PSI (0.7-7.0 bar).

**SIZE OPTIONS**

Model	Hose Size (I.D.)				Tubing Size (O.D.)		
	1/4"	5/16"	3/8"	1/2"	1/4"	5/16"	3/8"
QJ-VR-X0.5	X	X	X				
QJ-VR-X1.0	X	X	X				
QJ-VR-X2.0			X	X			
PTC-VR-X0.5					X	X	X
PTC-VR-X1.0					X	X	X
PTC-VR-X2.0						X	X

Note: 1/4" and 5/16" hose barb sizes offered in stainless steel only.  
 3/8" and 1/2" hose barbs offered in choice of stainless steel or nylon.



**PTC-VR PUSH-TO-CONNECT METERING ASSEMBLY**  
 \$38.58 S

Assembly	Liquid Pressure in PSI	Capacity 1 Nozzle in GPM	GPA for 20" Spacing (water)							
			4 MPH	5 MPH	6 MPH	8 MPH	10 MPH	12 MPH	16 MPH	20 MPH
QJ-VR-X0.5 & PTC-VR-X0.5	10	0.09	6.7	5.3	4.5	3.3	2.7	2.2	1.7	1.3
	20	0.13	9.7	7.7	6.4	4.8	3.9	3.2	2.4	1.9
	30	0.17	12.6	10.1	8.4	6.3	5.0	4.2	3.2	2.5
	40	0.21	15.6	12.5	10.4	7.8	6.2	5.2	3.9	3.1
	50	0.24	17.8	14.3	11.9	8.9	7.1	5.9	4.5	3.6
	60	0.29	22	17.2	14.4	10.8	8.6	7.2	5.4	4.3
	70	0.34	25	20	16.8	12.6	10.1	8.4	6.3	5.0
	80	0.40	30	24	19.8	14.9	11.9	9.9	7.4	5.9
	90	0.46	34	27	23	17.1	13.7	11.4	8.5	6.8
	100	0.54	40	32	27	20	16.0	13.4	10.0	8.0
QJ-VR-X1.0 & PTC-VR-X1.0	10	0.13	9.7	7.7	6.4	4.8	3.9	3.2	2.4	1.9
	20	0.21	15.6	12.5	10.4	7.8	6.2	5.2	3.9	3.1
	30	0.28	21	16.6	13.9	10.4	8.3	6.9	5.2	4.2
	40	0.35	26	21	17.3	13.0	10.4	8.7	6.5	5.2
	50	0.44	33	26	22	16.3	13.1	10.9	8.2	6.5
	60	0.53	39	31	26	19.7	15.7	13.1	9.8	7.9
	70	0.64	48	38	32	24	19.0	15.8	11.9	9.5
	80	0.77	57	46	38	29	23	19.1	14.3	11.4
	90	0.90	67	53	45	33	27	22	16.7	13.4
	100	1.03	76	61	51	38	31	25	19.1	15.3
QJ-VR-X2.0 & PTC-VR-X2.0	10	0.38	28	23	18.8	14.1	11.3	9.4	7.1	5.6
	20	0.57	42	34	28	21	16.9	14.1	10.6	8.5
	30	0.73	54	43	36	27	22	18.1	13.6	10.8
	40	0.87	65	52	43	32	26	22	16.1	12.9
	50	1.03	76	61	51	38	31	25	19.1	15.3
	60	1.20	89	71	59	45	36	30	22	17.8
	70	1.40	104	83	69	52	42	35	26	21
	80	1.61	120	96	80	60	48	40	30	24
	90	1.84	137	109	91	68	55	46	34	27
	100	2.07	154	123	102	77	61	51	38	31



**QJ-VR METERING ASSEMBLY**  
 Less Hose Barb \$33.20 S



**QJ-VR HOSE BARB METERING ASSEMBLY**  
 Stainless Hose Barb \$53.78 S  
 Nylon Hose Barb \$39.83 S



# SPRAY TIPS

## VISIFLO FLAT SPRAY TIP

**\*\*Always verify tips or orifices you received are the size which you require before using with chemical.  
Chemical rates need to be obtained from your chemical dealer.\*\***

USE A MINIMUM OF 30 PSI SPRAY PRESSURE FOR UNIFORM DISTRIBUTION. THIS PROVIDES MEDIUM SIZE DROPLETS FOR GOOD SOIL COVERAGE AS A PRE-EMERGE SURFACE APPLICATION. FOR POST-EMERGE CONTACT HERBICIDES USE 40 PSI AND HIGHER PRESSURE TO PROVIDE GOOD CANOPY PENETRATION AND SMALLER DROPLETS FOR FOLIAR COVERAGE. ADJUST HEIGHT FOR 30% OVERLAP.

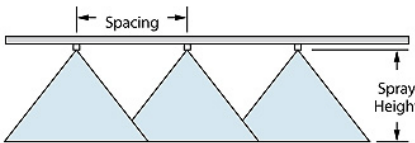


GOOD SPRAY PENETRATION  
UNIFORM COVERAGE  
SPRAY PRESSURE 30 TO 60 PSI

MATERIAL		
CODE	DESCRIPTION	PRICE
VS	VISIFLO SS	8.98 \$
VP	VISIFLO POLY	1.32 \$
HSS	HARDENED SS	21.25 \$
SS	SS	15.44 \$
	BRASS	6.04 \$

**HOW TO ORDER:**

- TP8002VS - Stainless Steel with VisiFlo color-coding
- TP11002-VP - Polymer with VisiFlo color-coding
- TP11002-HSS - Hardened Stainless Steel
- TP8002-SS - Stainless Steel
- TP8002 - Brass



OPTIMUM	
SPRAY HEIGHT	
65"	35"
80"	30"
110"	20"

\*AVAILABLE IN: BRASS, STAINLESS STEEL  
& HARDENED STAINLESS ONLY

	PSI	GPM	GPA 30" SPACING AT MPH							
			4	5	6	8	10	12	15	20
TP60050*	30	0.043	3.2	2.6	2.1	1.6	1.3	1.1	0.85	0.64
TP90050*	35	0.047	3.5	2.8	2.3	1.7	1.4	1.2	0.93	0.7
TP110050*	40	0.050	3.7	3	2.5	1.9	1.5	1.2	0.99	0.74
(300)	50	0.056	4.2	3.3	2.8	2.1	1.7	1.4	1.1	0.83
	60	0.061	4.5	3.6	3	2.3	1.8	1.5	1.2	0.91
TP60067*	30	0.058	4.3	3.4	2.9	2.2	1.7	1.4	1.1	0.9
TP90067*	35	0.063	4.7	3.7	3.1	2.3	1.9	1.6	1.2	0.9
TP110067*	40	0.067	5.0	4.0	3.3	2.5	2.0	1.7	1.3	1.0
(300)	50	0.075	5.6	4.5	3.7	2.8	2.2	1.9	1.5	1.1
	60	0.082	6.1	4.9	4.1	3.0	2.4	2.0	1.6	1.2
TP60074*	30	0.067	6.5	5.2	4.3	3.2	2.6	2.2	1.7	1.3
TP90074	35	0.094	7.0	5.6	4.7	3.5	2.8	2.3	1.9	1.4
TP11001	40	0.10	7.4	5.9	5.0	3.7	3.0	2.5	2.0	1.5
(300)	50	0.11	8.2	6.5	5.4	4.1	3.3	2.7	2.2	1.6
ORANGE	60	0.12	8.9	7.1	5.9	4.5	3.6	3.0	2.4	1.8
TP60013	30	0.13	9.7	7.7	6.4	4.8	3.9	3.2	2.6	1.9
TP90013	35	0.14	10.4	8.3	6.9	5.2	4.2	3.5	2.8	2.1
TP110013	40	0.15	11.1	8.9	7.4	5.6	4.5	3.7	3.0	2.2
(300)	50	0.17	12.6	10.1	8.4	6.3	5.0	4.2	3.4	2.5
GREEN	60	0.18	13.4	10.7	8.9	6.7	5.3	4.5	3.6	2.7
TP60022	30	0.17	12.6	10.1	8.4	6.3	5.0	4.2	3.4	2.5
TP90022	35	0.19	14.1	11.3	9.4	7.1	5.6	4.7	3.8	2.8
TP11002	40	0.2	14.9	11.9	9.9	7.4	5.9	5.0	4.0	3.0
(30)	50	0.22	16.3	13.1	10.9	8.2	6.5	5.4	4.4	3.3
YELLOW	60	0.24	17.8	14.3	11.9	8.9	7.1	5.9	4.8	3.6
TP60033	30	0.26	19.3	15.4	12.9	9.7	7.7	6.4	5.1	3.9
TP90033	35	0.28	21	16.6	13.9	10.4	8.3	6.9	5.5	4.2
TP11003	40	0.3	22	17.8	14.9	11.1	8.9	7.4	5.9	4.5
(30)	50	0.34	25	20	16.8	12.6	10.1	8.4	6.7	5.0
BLUE	60	0.37	27	22	18.3	13.7	11.0	9.2	7.3	5.5
TP60044	30	0.35	26	21	17.3	13.0	10.4	8.7	6.9	5.2
TP90044	35	0.37	27	22	18.3	13.7	11.0	9.2	7.3	5.5
TP11004	40	0.4	30	24	19.8	14.9	11.9	9.9	7.9	5.9
(30)	50	0.45	33	27	22	16.7	13.4	11.1	8.9	6.7
RED	60	0.49	36	29	24	18.2	14.6	12.1	9.7	7.3
TP60055	30	0.45	32	25	21	16.0	12.8	10.6	8.5	6.4
TP90055	35	0.47	35	28	23	17.4	14.0	11.6	9.3	7.0
TP11005	40	0.5	37	30	25	18.6	14.9	12.4	9.9	7.4
(30)	50	0.56	42	33	28	21	16.6	13.9	11.1	8.3
BROWN	60	0.61	45	36	30	23	18.1	15.1	12.1	9.1
TP60066	30	0.52	39	31	26	19.3	15.4	12.9	10.3	7.7
TP90066	35	0.56	42	33	28	21	16.6	13.9	11.1	8.3
TP11006	40	0.6	45	36	30	22	17.8	14.9	11.9	8.9
(30)	50	0.67	50	40	33	25	19.9	16.6	13.3	9.9
GRAY	60	0.75	54	43	36	27	22	18.1	14.5	10.8
TP60077	30	0.69	51	41	34	26	20	17.1	13.7	10.2
TP90077	35	0.75	56	45	37	28	22	18.6	14.9	11.1
TP11007	40	0.8	59	48	40	30	24	19.8	15.8	11.9
(30)	50	0.89	66	53	44	33	26	22	17.6	13.2
WHITE	60	0.98	73	58	49	36	29	24	19.4	14.6
TP6510*	30	0.87	65	52	43	32	26	22	17.2	12.9
	35	0.94	70	56	47	35	28	23	18.6	14
TP9010*	40	1	74	59	50	37	30	25	19.8	14.9
TP11010*	50	1.12	83	67	55	42	33	28	22	16.6
	60	1.22	91	72	60	45	36	30	24	18.1
	30	1.3	97	77	64	48	39	32	26	19.3
TP6515*	35	1.4	104	83	69	52	42	35	28	21
TP9015*	40	1.5	111	89	74	56	45	37	30	22
TP11015*	50	1.68	125	100	83	62	50	42	33	25
	60	1.84	137	109	91	68	55	46	36	27
	30	1.75	128	103	86	64	51	43	34	26
TP6520*	35	1.87	139	111	93	69	56	46	37	28
TP9020*	40	2	149	119	99	74	59	50	40	30
TP11020*	50	2.24	166	133	111	83	67	55	44	33
	60	2.45	182	146	121	91	73	61	49	36

# XR EXTENDED RANGE FLAT SPRAY TIP



**\*\*Always verify tips or orifices you received are the size which you require before using with chemical.  
Chemical rates need to be obtained from your chemical dealer.\*\***

AN EXCELLENT TIP FOR PRE-EMERGE SURFACE APPLIED CHEMICALS.  
AT MEDIUM PRESSURE (20-30 PSI) THE XR PRODUCES A MEDIUM SIZE DROPLET  
FOR GOOD SURFACE COVERAGE. EXCELLENT FOR POST-EMERGE SYSTEMIC  
HERBICIDES. AT LOWER PRESSURES (15-20 PSI) THE XR PRODUCES A LARGER  
DROPLET FOR LESS DRIFT.

MATERIAL		XR	XRC
CODE	DESCRIPTION	PRICE	PRICE
VS	VISIFLO SS	10.03 \$	11.25 \$
SS	STAINLESS	11.90 \$	N/A
VP	POLYMER	4.53 \$	5.38 \$
VK	CERAMIC VISIFLO	7.76 \$	9.39 \$

PART #	NO DEGREE	110 DEGREE	PSI	XR GPM	XRC GPM	GPA 20" SPACING AT MPH										
						4	5	6	8	10	12	13	20			
			15	0.99		4.3	3.8	3	2.3	1.8	1.3	1.1	0.9			
			20	0.97		3.9	3.4	2.5	2.0	1.5	1.1	0.9	0.7			
<b>XR001</b>	<b>XR1001</b>		30	0.96		3.5	3.1	2.3	1.8	1.3	1.0	0.8	0.6			
<b>OR</b>	<b>OR</b>		40	0.9		2.9	2.6	1.9	1.5	1.1	0.8	0.7	0.5			
<b>ORANGE</b>	<b>ORANGE</b>		50	0.81		2.4	2.1	1.6	1.2	0.9	0.7	0.6	0.4			
			60	0.72		1.9	1.7	1.3	1.0	0.7	0.6	0.5	0.3			
			15	0.892	0.892	4.8	4.3	3.2	2.5	1.9	1.4	1.1	0.8			
XR10015	XR110015		20	0.11	0.11	4.2	3.7	2.8	2.1	1.6	1.2	0.9	0.7			
XRC10015	XRC110015		30	0.13	0.13	3.7	3.3	2.4	1.8	1.3	1.0	0.7	0.5			
(100)	(100)		40	0.15	0.15	3.1	2.8	2.0	1.5	1.1	0.8	0.6	0.4			
GREEN	GREEN		50	0.17	0.17	2.6	2.3	1.7	1.2	0.9	0.7	0.5	0.3			
			60	0.18	0.18	2.1	1.9	1.4	1.0	0.7	0.6	0.4	0.3			
			15	0.92	0.92	4.9	4.4	3.3	2.6	1.9	1.4	1.1	0.8			
<b>XR002</b>	<b>XR1002</b>		20	0.94	0.94	4.4	3.9	2.9	2.2	1.6	1.2	0.9	0.7			
<b>XRC002</b>	<b>XRC1002</b>		30	0.97	0.97	3.9	3.5	2.6	2.0	1.4	1.1	0.8	0.6			
<b>OR</b>	<b>OR</b>		40	0.9	0.9	3.4	3.0	2.2	1.6	1.2	0.9	0.7	0.5			
<b>RED/GRN</b>	<b>RED/GRN</b>		50	0.82	0.82	2.9	2.6	1.9	1.4	1.0	0.8	0.6	0.4			
			60	0.74	0.74	2.4	2.1	1.6	1.1	0.8	0.6	0.5	0.3			
			15	0.13	0.13	11.1	9.9	7.4	5.6	4.3	3.3	2.5	1.8			
	XR110025		20	0.18	0.18	13.4	11.9	8.9	6.7	5.1	3.9	2.9	2.1			
	XRC110025		30	0.22	0.22	16.3	14.4	10.9	8.2	6.3	4.8	3.6	2.6			
(50)	(50)		40	0.25	0.25	18.6	16.5	12.4	9.3	7.1	5.4	4.1	3.0			
VIOLET	VIOLET		50	0.28	0.28	21	18.8	13.9	10.4	8.1	6.1	4.6	3.4			
			60	0.31	0.31	23	20.4	15.3	11.5	8.7	6.5	4.9	3.6			
			15	0.98	0.98	13.4	11.9	9	6.7	5.1	3.9	2.9	2.1			
<b>XR003</b>	<b>XR1003</b>		20	0.91	0.91	13.8	12.3	9.1	6.8	5.2	3.9	2.9	2.1			
<b>XRC003</b>	<b>XRC1003</b>		30	0.96	0.96	12.3	11.1	8.2	6.1	4.6	3.5	2.6	1.9			
<b>OR</b>	<b>OR</b>		40	0.9	0.9	11	9.9	7.3	5.4	4.1	3.1	2.3	1.7			
<b>BLUE</b>	<b>BLUE</b>		50	0.84	0.84	9.5	8.6	6.4	4.7	3.5	2.6	1.9	1.4			
			60	0.77	0.77	8	7.2	5.4	3.9	2.9	2.1	1.5	1.1			
			15	0.24	0.24	17.8	16.3	11.9	8.9	6.7	5.1	3.9	2.9			
XR1004	XR11004		20	0.28	0.28	21	18.8	13.9	10.4	8.1	6.1	4.6	3.4			
XRC1004	XRC11004		30	0.33	0.33	25	21	15.3	11.5	8.7	6.5	4.9	3.6			
(50)	(50)		40	0.4	0.4	30	24	18.1	13.9	10.4	7.9	5.9	4.3			
RED	RED		50	0.45	0.45	33	27	20	15.1	11.1	8.4	6.3	4.6			
			60	0.49	0.49	36	29	21	16.2	12.1	9.1	6.8	5.1			
			15	0.91	0.91	23	20.4	15.3	11.5	8.7	6.5	4.9	3.6			
<b>XR005</b>	<b>XR1005</b>		20	0.95	0.95	26	23	17.3	13	10	7.6	5.7	4.2			
<b>XRC005</b>	<b>XRC1005</b>		30	0.98	0.98	22	20	15	11	8.4	6.3	4.7	3.5			
<b>OR</b>	<b>OR</b>		40	0.9	0.9	18	16	12	9	6.8	5.1	3.8	2.8			
<b>BROWN</b>	<b>BROWN</b>		50	0.8	0.8	15	13	10	7.5	5.7	4.3	3.2	2.3			
			60	0.73	0.73	13	11	8.4	6.1	4.6	3.4	2.5	1.8			
			15	0.97	0.97	27	24	18.1	13.9	10.4	7.9	5.9	4.3			
XR1006	XR11006		20	0.42	0.42	31	28	21	15.6	12.1	9.1	6.8	5.1			
XRC1006	XRC11006		30	0.52	0.52	39	35	26	19.3	14.4	10.9	8.2	6.1			
(50)	(50)		40	0.6	0.6	45	40	30	22	17.1	12.9	9.7	7.2			
GRAY	GRAY		50	0.67	0.67	50	45	33	24	18.1	13.9	10.4	7.9			
			60	0.73	0.73	54	49	36	27	20	15.1	11.1	8.4			
			15	0.98	0.98	36	32	24	18.1	13.9	10.4	7.9	5.9			
<b>XR007</b>	<b>XR1007</b>		20	0.97	0.97	42	38	28	21	16.2	12.1	9.1	6.8			
<b>XRC007</b>	<b>XRC1007</b>		30	0.98	0.98	31	28	21	16	12	9	6.8	5.1			
<b>OR</b>	<b>OR</b>		40	0.9	0.9	25	22	16	12	9	6.8	5.1	3.8			
<b>WHITE</b>	<b>WHITE</b>		50	0.8	0.8	20	18	13	10	7.5	5.7	4.3	3.2			
			60	0.73	0.73	17	15	11	8	6	4.5	3.4	2.5			
			15	0.81	0.81	45	40	30	22	17.1	12.9	9.7	7.2			
			20	0.71	0.71	55	49	35	26	21	15.6	11.7	8.8			
XR1008	XR11008		30	0.87	0.87	65	59	43	32	24	18.1	13.9	10.4			
			40	1	1	74	67	50	37	28	21	15.6	11.7			
			50	1.12	1.12	83	75	55	42	32	24	18.1	13.9			
			60	1.22	1.22	91	82	60	45	34	26	20	15			
			15	0.91	0.91	60	54	40	30	22	17.1	12.9	9.7			
			20	0.8	0.8	79	71	52	39	29	22	16.6	12.4			
<b>XR009</b>	<b>XR1009</b>		30	1.1	1.1	97	88	64	48	36	27	20	15			
			40	1.1	1.1	111	100	74	55	42	32	24	18.1			
			50	1.2	1.2	125	113	83	61	46	34	26	20			
			60	1.34	1.34	137	124	91	67	50	37	28	21			



XR



XRC



# AIXR AIR INDUCTION XR FLAT SPRAY TIP

**\*\*Always verify tips or orifices you received are the size which you require before using with chemical.  
Chemical rates need to be obtained from your chemical dealer.\*\***

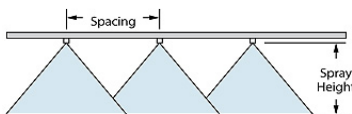
Tapered flat spray angle with air induction technology offers better drift management. Made of two-piece UHMWPE polymer construction providing excellent chemical resistance, including acids, as well as exceptional wear life. Depending on the chemical, produces large air-filled drops through a Venturi air aspirator. Removable pre-orifice.



**AIXR110XXVP**  
**\$10.45 S**



OPTIMUM SPRAY HEIGHT	
110°	20"



PART# 110 DEGREE	PSI	GPM	GPA 20" SPACING AT MPH							
			4	5	6	8	10	12	15	20
<b>AIXR110015</b> (100) GREEN	15	0.092	6.1	5.5	4.6	3.4	2.7	2.3	1.8	1.4
	20	0.11	8.3	6.5	5.4	4.1	3.3	2.7	2.2	1.6
	30	0.13	9.7	7.7	6.4	4.8	3.9	3.2	2.6	1.9
	40	0.15	11.1	8.9	7.4	5.6	4.5	3.7	3	2.3
	40	0.17	12.6	10.1	8.4	6.3	5	4.2	3.4	2.5
	60	0.18	13.4	10.7	8.9	6.7	5.3	4.5	3.6	2.7
	75	0.21	15.6	12.5	10.4	7.8	6.3	5.2	4.2	3.1
	90	0.23	17.1	13.7	11.4	8.5	6.8	5.7	4.6	3.4
AIXR11002 (50) YELLOW	15	0.12	8.9	7.1	5.9	4.5	3.6	3	2.4	1.8
	20	0.14	10.4	8.3	6.9	5.2	4.2	3.5	2.8	2.1
	30	0.17	12.6	10.1	8.4	6.3	5	4.2	3.4	2.5
	40	0.20	14.9	11.9	9.9	7.4	5.9	5	4	3
	50	0.22	16.3	13.1	10.9	8.2	6.5	5.4	4.4	3.3
	60	0.24	17.8	14.3	11.9	8.9	7.1	5.9	4.8	3.6
	75	0.27	20	16	13.4	10	8	6.7	5.3	4
	90	0.30	22	17.8	14.9	11.1	8.9	7.4	5.9	4.5
<b>AIXR110025</b> (50) PURPLE	15	0.15	11.1	8.9	7.4	5.6	4.5	3.7	3	2.3
	20	0.18	13.4	10.7	8.9	6.7	5.3	4.5	3.6	2.7
	30	0.22	16.3	13.1	10.9	8.2	6.5	5.4	4.4	3.3
	40	0.25	18.6	14.9	12.4	9.3	7.4	6.2	5	3.7
	50	0.28	21	16.6	13.9	10.4	8.3	6.9	5.5	4.2
	60	0.31	23	18.4	15.3	11.5	9.3	7.7	6.1	4.6
	75	0.34	25	20	16.8	12.6	10.4	8.4	6.7	5
	90	0.38	28	23	18.8	14.1	11.3	9.4	7.5	5.6
AIXR11003 (50) BLUE	15	0.18	13.4	10.7	8.9	6.7	5.3	4.5	3.6	2.7
	20	0.21	15.6	12.5	10.4	7.8	6.2	5.2	4.2	3.1
	30	0.26	19.3	15.4	12.9	9.7	7.7	6.4	5.1	3.9
	40	0.30	22	17.8	14.9	11.1	8.9	7.4	5.9	4.5
	50	0.34	25	20	16.8	12.6	10.1	8.4	6.7	5
	60	0.37	27	22	18.3	13.7	11	9.2	7.3	5.5
	75	0.41	30	24	20	15.2	12.2	10.1	8.1	6.1
	90	0.45	33	27	22	16.7	13.4	11.1	8.9	6.7
<b>AIXR11004</b> (50) RED	15	0.24	17.8	14.3	11.9	8.9	7.1	5.9	4.8	3.6
	20	0.28	21	16.6	13.9	10.4	8.3	6.9	5.5	4.2
	30	0.35	26	21	17.3	13	10.4	8.7	6.9	5.2
	40	0.40	30	24	19.8	14.9	11.9	9.9	7.9	5.9
	50	0.45	33	27	22	16.7	13.4	11.1	8.9	6.7
	60	0.49	36	29	24	18.2	14.6	12.1	9.7	7.3
	75	0.55	41	33	27	20	16.3	13.6	10.9	8.2
	90	0.60	45	36	30	22	17.8	14.9	11.9	8.9
AIXR11005 (50) BROWN	15	0.31	23	18.4	15.3	11.5	9.2	7.7	6.1	4.6
	20	0.35	26	21	17.3	13	10.4	8.7	6.9	5.2
	30	0.43	32	26	21	16	12.8	10.6	8.5	6.4
	40	0.50	37	30	25	18.6	14.9	12.4	9.9	7.4
	50	0.56	42	33	28	21	16.6	13.9	11.1	8.3
	60	0.61	45	36	30	23	18.1	15.1	12.1	9.1
	75	0.68	50	40	34	25	20	16.8	13.5	10.1
	90	0.75	56	45	37	28	22	18.6	14.9	11.1
<b>AIXR11006</b> (50) GRAY	15	0.37	27	22	18.3	13.7	11	9.2	7.3	5.5
	20	0.42	31	25	21	15.6	12.5	10.4	8.3	6.2
	30	0.52	39	31	26	19.3	15.4	12.9	10.3	7.7
	40	0.60	45	36	30	22	17.8	14.9	11.9	8.9
	50	0.67	50	40	33	25	19.9	16.6	13.3	9.9
	60	0.73	54	43	36	27	22	18.1	14.5	10.8
	75	0.82	61	49	41	30	24	20	16.3	12.2
	90	0.90	67	53	45	33	27	22	17.8	13.4

# TURBO, TURBO INDUCTION



# & TURBO TWINJET

**\*\*Always verify tips or orifices you received are the size which you require before using with chemical.  
Chemical rates need to be obtained from your chemical dealer.\*\***

**TURBO TEEJET:** TAPERED EDGE WIDE ANGLE FLAT SPRAY PATTERN FOR UNIFORM COVERAGE IN BROADCAST SPRAYING. BLOCKAGE-FREE PASSAGE MEANS LESS CLOGGING.  
**TURBO INDUCTION:** AIR INDUCTION, TAPERED FLAT SPRAY TIP PATTERN, MINIMAL PLUGGING. IDEAL FOR USE WITH AUTOMATIC SPRAYER CONTROLLERS.  
**TURBO TWINJET:** BEST SUITED FOR BROADCAST SPRAYING WHERE SUPERIOR LEAF COVERAGE AND CANOPY PENETRATION IS IMPORTANT.

110 DEGREE	PSI	TT GPM	TT1 GPM	TT360 GPM	GPA 30" SPACING AT MPG									
					4	5	6	8	10	12	15	20		
	15	0.061			4.5	3.6	3	2.3	1.8	1.5	1.3	0.9		
	20	0.071			5.3	4.2	3.5	2.6	2.1	1.8	1.4	1.1		
TT11001	30	0.087			6.5	5.2	4.3	3.2	2.6	2.2	1.7	1.3		
(100)	40	0.1			7.4	5.9	5	3.7	3	2.5	2	1.5		
ORANGE	50	0.11			8.2	6.5	5.4	4.1	3.3	2.7	2.1	1.6		
	60	0.12			8.9	7.1	5.9	4.5	3.6	3	2.4	1.8		
	15	0.092	0.092		6.1	5.5	4.6	3.4	2.7	2.3	1.8	1.4		
TT10015	20	0.11	0.11		6.2	6.5	5.4	4.1	3.3	2.7	2.2	1.6		
TT110015	30	0.13	0.13		6.7	7.7	6.4	4.8	3.9	3.2	2.6	1.9		
(100)	40	0.15	0.15		11.1	8.9	7.4	5.6	4.5	3.7	3	2.2		
GREEN	50	0.17	0.17		12.6	10.1	8.4	6.3	5	4.2	3.4	2.5		
	60	0.18	0.18		13.4	10.7	8.9	6.7	5.3	4.5	3.6	2.7		
TT11002	20	0.14	0.14		6.4	7.1	5.8	4.3	3.5	3	2.4	1.8		
TT11002	30	0.16	0.16	0.16	10.4	8.3	6.8	5.1	4.1	3.3	2.6	2.1		
(50)	40	0.17	0.17	0.17	13.8	10.1	8.4	6.3	5	4.2	3.4	2.5		
TT360-11002	40	0.26	0.3	0.3	14.8	11.9	10.1	7.4	5.8	4.7	3.8	2.9		
(100)	50	0.32	0.32	0.32	17.3	13.1	10.9	8.1	6.3	5.1	4.1	3.1		
YELLOW	60	0.34	0.34	0.34	17.8	14.3	11.9	8.9	7.1	5.8	4.8	3.7		
TT10025	15	0.15	0.15		11.1	8.9	7.4	5.6	4.5	3.7	3	2.2		
TT110025	20	0.18	0.18	0.18	13.4	10.7	8.9	6.7	5.3	4.5	3.6	2.7		
(50)	30	0.22	0.22	0.22	16.3	13.1	10.9	8.2	6.5	5.4	4.4	3.3		
TT360-10025	40	0.25	0.25	0.25	18.6	14.9	12.4	9.3	7.4	6.2	5	3.7		
(100)	50	0.28	0.28	0.28	21	16.6	13.9	10.4	8.3	6.9	5.5	4.2		
VIOLET	60	0.31	0.31	0.31	23	18.4	15.3	11.5	9.2	7.7	6.1	4.6		
TT11003	20	0.16	0.16		13.4	10.7	8.9	6.7	5.3	4.5	3.6	2.7		
TT11003	30	0.18	0.18	0.18	16.3	13.1	10.9	8.2	6.5	5.4	4.4	3.3		
(50)	40	0.2	0.2	0.2	19.3	15.4	12.9	9.5	7.5	6.1	5.1	3.9		
TT360-11003	40	0.36	0.3	0.3	21	17.8	14.9	11.1	8.8	7.4	5.8	4.3		
(100)	50	0.44	0.44	0.44	25	20	16.8	12.6	10.1	8.4	6.7	5		
BLUE	60	0.47	0.47	0.47	27	22	18.3	13.7	11	9.1	7.3	5.5		
TT11004	15	0.24	0.24		17.8	14.3	11.9	8.9	7.1	5.9	4.8	3.6		
TT11004	20	0.28	0.28	0.28	21	16.8	13.9	10.4	8.3	6.9	5.5	4.2		
(50)	30	0.35	0.35	0.35	26	21	17.3	13	10.4	8.7	6.9	5.2		
TT360-11004	40	0.40	0.4	0.4	30	24	19.8	14.9	11.9	9.9	7.9	5.9		
(100)	50	0.45	0.45	0.45	33	27	22	16.7	13.4	11.1	8.9	6.7		
RED	60	0.49	0.49	0.49	36	29	24	18.2	14.6	12.1	9.7	7.3		
TT11005	20	0.31	0.31		23	18.4	15.3	11.5	9.2	7.7	6.1	4.6		
TT11005	30	0.36	0.36	0.36	26	21	17.3	13	10.4	8.7	6.9	5.2		
(50)	40	0.42	0.42	0.42	32	26	21	16	12.6	10.4	8.3	6.2		
TT360-11005	40	0.56	0.3	0.3	37	28	23	18.4	14.9	12.4	9.8	7.4		
(100)	50	0.59	0.59	0.59	42	33	26	21	16.8	13.9	11.1	8.3		
BROWN	60	0.61	0.61	0.61	46	36	29	23	18.1	15.1	12.1	9.1		
TT11006	15	0.37	0.37		27	22	18.3	13.7	11	9.2	7.3	5.5		
TT11006	20	0.42	0.42	0.42	31	25	21	15.6	12.3	10.4	8.3	6.2		
(50)	30	0.52	0.52	0.52	39	31	26	19.3	15.4	12.9	10.3	7.7		
TT360-11006	40	0.60	0.6	0.6	45	36	30	22	17.8	14.9	11.9	8.9		
(100)	50	0.67	0.67	0.67	50	40	33	25	19.9	16.6	13.3	9.9		
GRAY	60	0.73	0.73	0.73	54	43	36	27	22	18.1	14.5	10.8		
	20	0.46			36	29	24	18.2	14.6	12.1	9.7	7.3		
TT11008	20	0.37			27	22	18.3	13.7	11	9.2	7.3	5.5		
(50)	30	0.46			33	27	22	16.7	13.4	11.1	8.9	6.7		
WHITE	40	0.56			37	28	23	18.4	14.9	12.4	9.8	7.4		
	50	0.66			42	33	26	21	16.8	13.9	11.1	8.3		
	60	0.69			46	36	29	23	18.1	15.1	12.1	9.1		
	70	0.76			51	40	33	25	19.9	16.6	13.3	9.9		



(TT)  
WIDE ANGLE  
FLAT SPRAY  
\$9.46 S



(TT1)  
FLAT SPRAY  
(015-06) \$16.18 S  
(08-10) \$18.91 S



(TTJ60)  
TWIN FLAT SPRAY  
\$11.34 S

**\*\*Always verify tips or orifices you received are the size which you require before using with chemical.  
Chemical rates need to be obtained from your chemical dealer.\*\***

STAINLESS STEEL INSERT PRODUCES TAPERED EDGE FLAT SPRAY PATTERN FOR UNIFORM COVERAGE IN BROADCAST SPRAYING. POLYMER INSERT HOLDER AND PRE-ORIFICE WITH VISIFLO COLOR-CODING. LARGER DROPLETS FOR LESS DRIFT. DEPENDING ON CHEMICAL, PRODUCES LARGE AIR-FILLED DROPS THROUGH THE USE OF A VENTURI AIR ASPIRATOR.



**AI**

MATERIAL		AI	AIC
CODE	DESCRIPTION	PRICE	PRICE
VS	VISIFLO SS	19.17 S	20.78 S
VP	POLYMER	N/A	9.63 S
VK	CERAMIC VISIFLO	N/A	16.93 S

**AIC**



110 DEGREE	PSI	GPM	SPACING AT MPH														
			4	5	6	7	8	9	10	12	14	16	18	20			
RED	30	0.13	19	19	14	13	10	10	10	10	10	10	10	10	10	10	10
RED	40	0.13	11.1	10	14	14	10	7	6	6	6	6	6	6	6	6	6
RED	50	0.17	10.1	10	14	14	10	7	6	6	6	6	6	6	6	6	6
RED	60	0.21	10.1	10	14	14	10	7	6	6	6	6	6	6	6	6	6
RED	75	0.31	10.1	10	14	14	10	7	6	6	6	6	6	6	6	6	6
RED	90	0.50	10.1	10	14	14	10	7	6	6	6	6	6	6	6	6	6
RED	100	0.17	12.6	11.1	14	14	10	7	6	6	6	6	6	6	6	6	6
RED	40	0.2	14.9	11.9	14.9	14.9	10	7	6	6	6	6	6	6	6	6	6
RED	50	0.22	16.3	13.1	16.9	16.9	10	7	6	6	6	6	6	6	6	6	6
RED	60	0.24	17.8	14.3	17.9	17.9	10	7	6	6	6	6	6	6	6	6	6
RED	75	0.27	20	16	20	20	10	7	6	6	6	6	6	6	6	6	6
RED	90	0.3	22	17.8	24.9	24.9	10	7	6	6	6	6	6	6	6	6	6
RED	30	0.33	10	10	10	10	10	10	10	10	10	10	10	10	10	10	10
RED	40	0.33	10	10	10	10	10	10	10	10	10	10	10	10	10	10	10
RED	50	0.38	10	10	10	10	10	10	10	10	10	10	10	10	10	10	10
RED	60	0.51	10	10	10	10	10	10	10	10	10	10	10	10	10	10	10
RED	75	0.54	10	10	10	10	10	10	10	10	10	10	10	10	10	10	10
RED	90	0.58	10	10	10	10	10	10	10	10	10	10	10	10	10	10	10
RED	100	0.58	10	10	10	10	10	10	10	10	10	10	10	10	10	10	10
RED	40	0.3	22	17.8	14.9	12.7	11.1	9.9	8.9	7.4	6.4	5.6	5	4.3	3.9	3.5	3.1
RED	50	0.34	25	20	16.8	14.4	12.6	11.2	10.1	8.4	7.2	6.3	5.6	5	4.3	3.9	3.5
RED	60	0.37	27	2	18.3	15.7	13.7	12.2	11	9.2	7.8	6.9	6.1	5.3	4.7	4.1	3.7
RED	75	0.41	30	24	20	17.4	15.2	13.5	12.2	10.1	8.7	7.6	6.8	6.1	5.3	4.7	4.1
RED	90	0.45	33	27	22	19.1	16.7	14.9	13.4	11.1	9.5	8.4	7.4	6.7	5.9	5.1	4.5
RED	30	0.50	10	10	10	10	10	10	10	10	10	10	10	10	10	10	10
RED	40	0.4	10	10	10	10	10	10	10	10	10	10	10	10	10	10	10
RED	50	0.50	10	10	10	10	10	10	10	10	10	10	10	10	10	10	10
RED	60	0.58	10	10	10	10	10	10	10	10	10	10	10	10	10	10	10
RED	75	0.50	10	10	10	10	10	10	10	10	10	10	10	10	10	10	10
RED	90	0.58	10	10	10	10	10	10	10	10	10	10	10	10	10	10	10
RED	100	0.63	10	10	10	10	10	10	10	10	10	10	10	10	10	10	10
RED	40	0.5	37	30	25	21	18.6	16.5	14.9	12.4	10.6	9.3	8.3	7.4	6.4	5.6	4.9
RED	50	0.56	42	33	28	24	21	18.5	16.6	13.9	11.9	10.4	9.2	8.3	7.4	6.4	5.6
RED	60	0.61	45	36	30	26	23	20	18.1	15.1	12.9	11.3	10.1	9.1	8.1	7.1	6.4
RED	75	0.68	50	40	34	29	25	22	20	16.8	14.4	12.6	11.2	10.1	9.1	8.1	7.1
RED	90	0.75	56	45	37	32	28	25	22	18.6	15.9	13.9	12.4	11.1	10.1	9.1	8.1
RED	30	0.50	10	10	10	10	10	10	10	10	10	10	10	10	10	10	10
RED	40	0.50	10	10	10	10	10	10	10	10	10	10	10	10	10	10	10
RED	50	0.58	10	10	10	10	10	10	10	10	10	10	10	10	10	10	10
RED	60	0.58	10	10	10	10	10	10	10	10	10	10	10	10	10	10	10
RED	75	0.58	10	10	10	10	10	10	10	10	10	10	10	10	10	10	10
RED	90	0.58	10	10	10	10	10	10	10	10	10	10	10	10	10	10	10
RED	100	0.58	10	10	10	10	10	10	10	10	10	10	10	10	10	10	10
RED	40	1	10	10	10	10	10	10	10	10	10	10	10	10	10	10	10
RED	50	1.1	10	10	10	10	10	10	10	10	10	10	10	10	10	10	10
RED	60	1.3	10	10	10	10	10	10	10	10	10	10	10	10	10	10	10
RED	75	1.5	10	10	10	10	10	10	10	10	10	10	10	10	10	10	10
RED	90	1.7	10	10	10	10	10	10	10	10	10	10	10	10	10	10	10

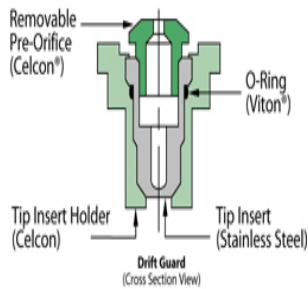
# DRIFT GUARD FLAT SPRAY TIP



**\*\*Always verify tips or orifices you received are the size which you require before using with chemical.  
Chemical rates need to be obtained from your chemical dealer.\*\***

**FEATURES:**

PRE-ORIFICE DESIGN PRODUCES LARGER DROPLETS AND REDUCES THE SMALL DRIFT PRONE DROPLETS, MINIMIZING OFF-TARGET SPRAY CONTAMINATION. TAPERED EDGE FLAT SPRAY PATTERN PROVIDES UNIFORM COVERAGE WHEN ADJACENT NOZZLE PATTERN ARE OVERLAPPED IN BROADCAST SPRAYING THE COLOR-CODED PRE-ORIFICE IS REMOVABLE FOR ANY NECESSARY CLEANING. AVAILABLE IN BOTH 80 AND 110 DEGREE SPRAY ANGLES WITH DURABLE STAINLESS STEEL ORIFICES.



OPTIMUM SPRAY HEIGHT	
80°	30"
110°	20"



MATERIAL		
CODE	DESCRIPTION	PRICE
VS	VISIFLO SS	13.88 S
VP	POLYMER	8.29 S

80 DEGREE	110 DEGREE	PSI	GPM	GPA 20" SPACING AT MPH										
				4	5	6	7	8	9	10	12	14	16	18
DG80015 (100) GREEN	DG110015 (100) GREEN	30	0.13	9.7	7.7	6.4	5.5	4.8	4.3	3.9	3.2	2.8	2.4	2.1
		35	0.14	10.4	8.3	6.9	5.9	5.2	4.6	4.2	3.5	3	2.6	2.3
		40	0.15	11.1	8.9	7.4	6.4	5.6	5	4.5	3.7	3.2	2.8	2.5
		50	0.17	12.6	10.1	8.4	7.2	6.3	5.6	5	4.2	3.6	3.2	2.8
		60	0.18	13.4	10.7	8.9	7.6	6.7	5.9	5.3	4.5	3.8	3.3	3
DG8002 (50) YELLOW	DG11002 (50) YELLOW	30	0.17	12.6	10.1	8.4	7.2	6.3	5.6	5	4.2	3.6	3.2	2.8
		35	0.19	14.1	11.3	9.4	8.1	7.1	6.3	5.6	4.7	4	3.5	3.1
		40	0.2	14.9	11.9	9.9	8.5	7.4	6.6	5.9	5	4.2	3.7	3.3
		50	0.22	16.3	13.1	10.9	9.3	8.2	7.3	6.5	5.4	4.7	4.1	3.6
DG8003 (50) BLUE	DG11003 (50) BLUE	30	0.26	19.3	15.4	12.9	11	9.7	8.6	7.7	6.4	5.5	4.8	4.3
		35	0.28	21	16.6	13.9	11.9	10.4	9.2	8.3	6.9	5.9	5.2	4.6
		40	0.3	22	17.8	14.9	12.7	11.1	9.9	8.9	7.4	6.4	5.6	5
		50	0.34	25	20	16.8	14.4	12.6	11.2	10.1	8.4	7.2	6.3	5.6
DG8004 (50) RED	DG11004 (50) RED	30	0.35	26	21	17.3	14.9	13	11.6	10.4	8.7	7.4	6.5	5.8
		35	0.37	27	22	18.3	15.7	13.7	12.2	11	9.2	7.8	6.9	6.1
		40	0.4	30	24	19.8	17	14.9	13.2	11.9	9.9	8.5	7.4	6.6
		50	0.45	33	27	22	19.1	16.7	14.9	13.4	11.1	9.5	8.4	7.4
DG8005 (50) BROWN	DG11005 (50) BROWN	30	0.43	32	26	21	18.2	16	14.2	12.8	10.6	9.1	8	7.1
		35	0.47	35	28	23	19.9	17.4	15.5	14	11.6	10	8.7	7.8
		40	0.5	37	30	25	21	18.6	16.5	14.9	12.4	10.6	9.3	8.3
		50	0.56	42	33	28	24	21	18.5	16.6	13.9	11.9	10.4	9.2
60	0.61	45	36	30	26	23	20	18.1	15.1	12.9	11.3	10.1		

# TURBO TEEJET® DUO

**\*\*Always verify tips or orifices you received are the size which you require before using with chemical.  
Chemical rates need to be obtained from your chemical dealer.\*\***

Excellent for both contact and systemic fungicides and insecticides - typical pressure 40 PSI and higher.  
Excellent for spraying post-emergence contact herbicides - typical pressure 40 PSI and higher.  
Very good for post-emerge systemic herbicide applications at lower end of optimum operating pressure range.  
Offers improved penetration and coverage as compared to a single flat spray tip of equal capacity.  
Offers larger droplet size and improved drift control.

## Features:

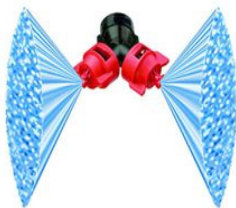
Dual angled spray patterns help to better penetrate crop canopy. Provides thorough leaf coverage.  
QJ90-2-NYR adapter utilizes Quick TeeJet inlet and outlet connections for fast and easy installation.  
Body and caps constructed of Nylon.  
Turbo TeeJet tip made of acetal for excellent wear life and chemical resistance.  
Quick TeeJet caps are color coded to match VisiFlo color coding of spray tip.



**DUAL OULET ONLY  
QJ90-2-NYR  
\$6.44 S**



**DUAL OUTLET  
W/CAP & TIPS  
\$28.07 S**



110 DEGREE	PSI	GPM	OPA 20° SPACING AT MPH							
			4	5	6	8	10	12	15	20
QJ90-	15	0.14	10.1	11.1	12.1	14.1	16.1	18.1	22.1	28.1
2XTT11001-VP	30	0.14	10.1	11.1	12.1	14.1	16.1	18.1	22.1	28.1
(100)	40	0.2	14.1	15.1	16.1	18.1	20.1	22.1	26.1	32.1
ORANGE	50	0.26	18.1	19.1	20.1	22.1	24.1	26.1	30.1	36.1
60	0.32	22.1	23.1	24.1	26.1	28.1	30.1	32.1	36.1	42.1
QJ90-	15	0.18	13.4	14.4	15.4	17.4	19.4	21.4	25.4	31.4
2XTT11003-VP	30	0.21	15.6	16.6	17.6	19.6	21.6	23.6	27.6	33.6
(100)	40	0.3	22	23	24	26	28	30	34	40
GREEN	50	0.34	25	26	27	29	31	33	37	43
60	0.37	27	28	29	31	33	35	37	41	47
QJ90-	15	0.22	16.7	17.7	18.7	20.7	22.7	24.7	28.7	34.7
2XTT11003-VP	30	0.26	19.3	20.3	21.3	23.3	25.3	27.3	31.3	37.3
(50)	40	0.4	27	28	29	31	33	35	39	45
YELLOW	50	0.49	34	35	36	38	40	42	46	52
60	0.58	41	42	43	45	47	49	53	59	65
QJ90-	15	0.31	23	24	25	27	29	31	35	41
2XTT11003-VP	30	0.35	26	27	28	30	32	34	38	44
(50)	40	0.43	32	33	34	36	38	40	44	50
VIOLET	50	0.56	42	43	44	46	48	50	54	60
60	0.61	45	46	47	49	51	53	57	63	69
QJ90-	15	0.32	24	25	26	28	30	32	36	42
2XTT11003-VP	30	0.38	29	30	31	33	35	37	41	47
(50)	40	0.5	37	38	39	41	43	45	49	55
BLUE	50	0.59	44	45	46	48	50	52	56	62
60	0.67	51	52	53	55	57	59	63	69	75
QJ90-	15	0.49	36	37	38	40	42	44	48	54
2XTT11004-VP	30	0.57	42	43	44	46	48	50	54	60
(50)	40	0.69	51	52	53	55	57	59	63	69
RED	50	0.89	66	67	68	70	72	74	78	84
60	0.98	73	74	75	77	79	81	85	91	97
QJ90-	15	0.61	45	46	47	49	51	53	57	63
2XTT11005-VP	30	0.69	51	52	53	55	57	59	63	69
(50)	40	1	60	61	62	64	66	68	72	78
BROWN	50	1.14	69	70	71	73	75	77	81	87
60	1.28	77	78	79	81	83	85	89	95	101
QJ90-	15	0.75	54	55	56	58	60	62	66	72
2XTT11006-VP	30	0.85	63	64	65	67	69	71	75	81
(50)	40	1.2	89	90	91	93	95	97	101	107
GRAY	50	1.34	99	100	101	103	105	107	111	117
60	1.47	109	110	111	113	115	117	121	127	133
QJ90-	15	0.84	60	61	62	64	66	68	72	78
2XTT11008-VP	30	1	69	70	71	73	75	77	81	87
(50)	40	1.4	100	101	102	104	106	108	112	118
WHITE	50	1.58	110	111	112	114	116	118	122	128
60	1.69	120	121	122	124	126	128	132	138	144

# STREAMJET SJ-7



**\*\*Always verify tips or orifices you received are the size which you require before using with chemical.  
Chemical rates need to be obtained from your chemical dealer.\*\***

## Excellent for application of liquid fertilizer.

### Features:

- Creates seven identical fluid streams of equal velocity and capacity.
- Excellent spray distribution quality.
- Removable metering orifice for easy cleaning.
- Offered in a variety of sizes for a wide range of application rates.
- VisiFlo® color-coding for easy capacity identification.
- All acetal construction for excellent chemical resistance.
- Recommended operating pressure: 20 - 60 PSI (1.5-4bar).



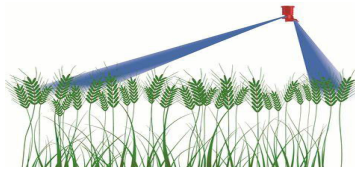
**PRICE: \$16.32 S**

	PSI	CFM	3	4	5	6	8	10	12	14	16	18
	20	0.1	9.9	7.4	5.9	5	3.7	3	2.3	2.1	1.9	1.7
SJ7-015-VP	30	0.12	11.9	8.9	7.1	5.9	4.5	3.6	3	2.5	2.2	2
(100)	40	0.15	14.9	11.1	8.9	7.4	5.6	4.5	3.7	3.2	2.8	2.5
GREEN	50	0.18	15.8	11.9	9.5	7.9	5.9	4.8	4	3.4	3	2.6
	60	0.18	17.8	13.4	10.7	8.9	6.7	5.3	4.5	3.8	3.3	3
	20	0.14	13.9	10.4	8.3	6.9	5.2	4.2	3.5	3	2.6	2.3
SJ7-02-VP	30	0.17	16.8	12.6	10	8.4	6.3	5	4.2	3.6	3.2	2.8
(50)	40	0.2	19.8	14.9	11.9	9.9	7.4	5.9	5	4.2	3.7	3.3
YELLOW	50	0.23	23	17.1	13.7	11.4	8.5	6.8	5.7	4.9	4.3	3.8
	60	0.25	25	18.6	14.9	12.4	9.3	7.4	6.2	5.3	4.6	4.1
	20	0.22	22	16.3	13.1	10.9	8.2	6.5	5.4	4.7	4.1	3.6
SJ7-03-VP	30	0.27	27	20	16	13.4	10	8	6.7	5.7	5	4.5
(50)	40	0.3	30	22	17.8	14.9	11.1	8.9	7.4	6.4	5.6	5
BLUE	50	0.33	33	25	19.6	16.3	12.3	9.8	8.2	7	6.1	5.4
	60	0.35	35	26	21	17.3	13	10.4	8.7	7.4	6.5	5.8
	20	0.3	30	22	17.8	14.9	11.1	8.9	7.4	6.4	5.6	5
SJ7-04-VP	30	0.35	35	26	21	17.3	13	10.4	8.7	7.4	6.5	5.8
(50)	40	0.4	40	30	24	19.8	14.9	11.9	9.9	8.5	7.4	6.6
RED	50	0.43	43	32	26	21	16	12.8	10.6	9.1	8	7.1
	60	0.46	46	34	27	23	17.1	13.7	11.4	9.8	8.5	7.6
	20	0.38	38	28	23	18.8	14.1	11.5	9.4	8.1	7.1	6.3
SJ7-05-VP	30	0.45	45	33	27	22	16.7	13.4	11.1	9.5	8.4	7.4
(50)	40	0.5	50	37	30	25	18.6	14.9	12.4	10.6	9.3	8.3
BROWN	50	0.54	53	40	32	27	20	16	13.4	11.5	10	8.9
	60	0.58	57	43	34	29	22	17.2	14.4	12.3	10.8	9.6
	20	0.45	45	33	27	22	16.7	13.4	11.1	9.5	8.4	7.4
SJ7-06-VP	30	0.54	53	40	32	27	20	16	13.4	11.5	10	8.9
(50)	40	0.6	59	45	36	30	22	17.8	14.9	12.7	11.1	9.9
GRAY	50	0.65	64	48	39	32	24	19.3	16.1	13.8	12.1	10.7
	60	0.7	69	52	42	35	26	21	17.3	14.9	13	11.6
	20	0.57	56	42	34	28	21	16.9	14.1	12.1	10.6	9.4
SJ7-08-VP	30	0.72	71	53	43	36	27	21	17.8	15.3	13.4	11.9
	40	0.8	79	59	48	40	30	24	19.8	17	14.9	13.2
WHITE	50	0.87	86	65	52	43	32	26	22	18.5	16.1	14.4
	60	0.93	92	69	55	46	35	28	23	19.7	17.3	15.3
	20	0.71	70	53	42	35	26	21	17.6	15.1	13.2	11.7
SJ7-10-VP	30	0.9	89	67	53	45	33	27	22	19.1	16.7	14.9
	40	1	99	74	59	50	37	30	25	21	18.6	16.5
LT BLUE	50	1.09	108	81	65	54	40	32	27	23	20	18
	60	1.16	115	86	69	57	43	34	29	23	22	19.1
	20	1.03	102	76	61	51	38	31	25	22	19.1	17
SJ7-15-VP	30	1.29	128	96	77	64	48	38	32	27	24	21
	40	1.5	149	111	89	74	56	45	37	32	28	25
LT GREEN	50	1.65	162	122	97	81	61	49	41	35	30	27
	60	1.76	174	131	105	87	65	52	44	37	33	29



## AIR INDUCTION DUAL PATTERN FLAT SPRAY

# AI3070



PART#	DESCRIPTION	PRICE
AI3070-XXVP	Tip	11.81 S
AIC3070-XXVP	Tip/Cap/Gasket	14.78 S

The AI3070 TeeJet dual spray, utilizing a patent-pending design, provides two spray patterns at complementary angles of 30\* and 70\* from vertical. The leading pattern provides canopy penetration while the trailing pattern provides thorough coverage across the top of crop canopy.

	PSI	GPM	GPA 20" SPACING AT MPH					
			4	5	6	8	10	12
	20	0.11	8.2	6.9	5.4	4.1	3.3	2.7
	30	0.13	9.7	7.7	6.4	4.8	3.9	3.2
AI3070-01VP	40	0.15	11.1	8.9	7.4	5.6	4.5	3.7
[100]	50	0.17	12.6	10.1	8.4	6.3	5	4.2
	60	0.18	13.4	10.7	8.9	6.7	5.3	4.5
	73	0.21	15.6	12.5	10.4	7.8	6.2	5.2
	90	0.23	17.1	13.7	11.4	8.5	6.8	5.7
	20	0.14	10.4	8.3	6.9	5.2	4.2	3.5
	30	0.17	12.6	10.1	8.4	6.3	5	4.2
AI3070-02VP	40	0.20	14.9	11.9	9.9	7.4	5.9	5
[100]	50	0.22	16.3	13.1	10.9	8.2	6.5	5.4
	60	0.24	17.8	14.3	11.9	8.9	7.1	5.9
	73	0.27	20	16	13.4	10	8	6.7
	90	0.30	22	17.8	14.9	11.1	8.9	7.4
	20	0.18	13.4	10.7	8.9	6.7	5.3	4.5
	30	0.22	16.3	13.1	10.9	8.2	6.5	5.4
AI3070-025VP	40	0.23	18.6	14.9	12.4	9.3	7.4	6.2
[100]	50	0.28	21	16.6	13.9	10.4	8.3	6.9
	60	0.31	23	18.4	15.3	11.5	9.2	7.7
	73	0.34	25	20	16.8	12.6	10.1	8.4
	90	0.38	28	23	18.8	14.1	11.3	9.4
	20	0.21	15.6	12.5	10.4	7.8	6.2	5.2
	30	0.26	19.3	15.4	12.9	9.7	7.7	6.4
AI3070-03VP	40	0.30	22	17.8	14.9	11.1	8.9	7.4
[30]	50	0.34	25	20	16.8	12.6	10.1	8.4
	60	0.37	27	22	18.3	13.7	11	9.2
	73	0.41	30	24	20	15.2	12.2	10.1
	90	0.45	33	27	22	16.7	13.4	11.1
	20	0.28	21	16.6	13.9	10.4	8.3	6.9
	30	0.33	26	21	17.3	13	10.4	8.7
AI3070-04VP	40	0.40	30	24	19.8	14.9	11.9	9.9
[30]	50	0.43	33	27	22	16.7	13.4	11.1
	60	0.49	36	29	24	18.2	14.6	12.1
	73	0.53	41	33	27	20	16.3	13.6
	90	0.60	45	36	30	22	17.8	14.9
	20	0.35	26	21	17.3	13	10.4	8.7
	30	0.43	32	26	21	16	12.8	10.6
AI3070-05VP	40	0.50	37	30	25	18.6	14.9	12.4
[30]	50	0.56	42	33	28	21	16.6	13.9
	60	0.61	45	36	30	23	18.1	15.1
	73	0.68	50	40	34	25	20	16.8
	90	0.75	56	43	37	28	22	18.6

# TWIN JET FLAT & FULL JET CONE SPRAY TIP



**FEATURES:**

PENETRATES CROP RESIDUE OR DENSE FOLIAGE.  
SMALLER DROPLETS FOR THOROUGH COVERAGE.  
BETTER SPRAY DISTRIBUTION ALONG BOOM  
THAN WITH HOLLOW CONE NOZZLES.



ALL VS TWINJET \$17.45 S

DEGREE	OPTIMUM SPRAY HEIGHT
80°	30"
110°	20"

PART #	80 DEGREE	110 DEGREE	PSI	GPM	GPA 20" SPACING AT MPH										
					4	5	6	7	8	9	10	12	14	16	18
TJ60-8002VS	TJ60-11002VS	30	0.17	12.6	10.1	8.4	7.2	6.3	5.6	5	4.2	3.6	3.2	2.8	2.5
(100)	(100)	40	0.2	14.9	11.9	9.9	8.5	7.4	6.6	5.9	5	4.2	3.7	3.3	3
YELLOW	YELLOW	50	0.22	16.3	13.1	10.9	9.3	8.2	7.3	6.5	5.4	4.7	4.1	3.6	3.3
		60	0.24	17.8	14.3	11.9	10.2	8.9	7.9	7.1	5.9	5.1	4.5	4	3.6
TJ60-8003VS	TJ60-11003VS	30	0.26	19.3	15.4	12.9	11	9.7	8.6	7.7	6.4	5.5	4.8	4.3	3.9
(100)	(100)	40	0.3	22	17.8	14.9	12.7	11.1	9.9	8.9	7.4	6.4	5.6	5	4.5
BLUE	BLUE	50	0.34	25	20	16.8	14.4	12.6	11.2	10.1	8.4	7.2	6.3	5.6	5
		60	0.37	27	22	18.3	15.7	13.7	12.2	11	9.2	7.8	6.9	6.1	5.5
TJ60-8004VS	TJ60-11004VS	30	0.35	26	21	17.3	14.9	13	11.6	10.4	8.7	7.4	6.5	5.8	5.2
(50)	(50)	40	0.4	30	24	19.8	17	14.9	13.2	11.9	9.9	8.5	7.4	6.6	5.9
RED	RED	50	0.45	33	27	22	19.1	16.7	14.9	13.4	11.1	9.5	8.4	7.4	6.7
		60	0.49	36	29	24	21	18.2	16.2	14.6	12.1	10.4	9.1	8.1	7.3
TJ60-8006VS	TJ60-11006VS	30	0.52	39	31	26	22	19.3	17.2	15.4	12.9	11	9.7	8.6	7.7
(50)	(50)	40	0.6	45	36	30	25	22	19.8	17.8	14.9	12.7	11.1	9.9	8.9
GRAY	GRAY	50	0.67	50	40	33	28	25	22	19.9	16.6	14.2	12.4	11.1	9.9
		60	0.73	54	43	36	31	27	24	22	18.1	15.5	13.6	12	10.8
TJ60-8008VS	TJ60-11008VS	30	0.69	51	41	34	29	26	23	20	17.1	14.6	12.8	11.4	10.2
(50)	(50)	40	0.8	59	48	40	34	30	26	24	19.8	17	14.9	13.2	11.9
WHITE	WHITE	50	0.89	66	53	44	38	33	29	26	22	18.9	16.5	14.7	13.2
		60	0.98	73	58	49	42	36	32	29	24	21	18.2	16.2	14.6

	PSI	GPM	GPA 40" SPACING AT MPH					
			3	4	5	6	7	7.5
BROWN	15	0.34	16.8	12.6	10.1	8.4	7.2	6.7
FL-5VS	20	0.38	18.8	14.1	11.3	9.4	8.1	7.5
FL-5VC	30	0.46	23	17.1	13.7	11.4	9.8	9.1
	40	0.52	26	19.3	15.4	12.9	11.0	10.3
GRAY	15	0.42	21	15.6	12.5	10.4	8.9	8.3
FL-6.5VS	20	0.48	24	17.8	14.3	11.9	10.2	9.5
FL-6.5VC	30	0.57	28	21	16.9	14.1	12.1	11.3
	40	0.65	32	24	19.3	16.1	13.8	12.9
WHITE	15	0.51	25	18.9	15.1	12.6	10.8	10.1
FL-8VS	20	0.58	29	22	17.2	14.4	12.3	11.5
FL-8VC	30	0.70	35	26	21	17.3	14.9	13.9
	40	0.79	39	29	23	19.6	16.8	15.6
BLUE	15	0.67	33	25	19.9	16.6	14.2	13.3
FL-10VS	20	0.76	38	28	23	18.8	16.1	15.0
FL-10VC	30	0.91	45	34	27	23	19.3	18.0
	40	1.00	50	37	30	25	21	19.8
GREEN	15	0.97	48	36	29	24	21	19.2
FL-15VS	20	1.11	55	41	33	27	24	22
FL-15VC	30	1.32	65	49	39	33	28	26
	40	1.50	74	56	45	37	32	30

## FULLJET WIDE ANGLE FULL CONE SPRAY TIP

**FEATURES:**

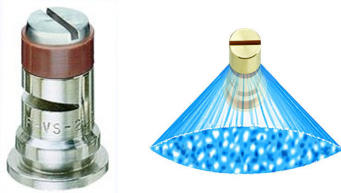
LARGE DROPLETS TO REDUCE DRIFT  
DISTRIBUTION OVER A RANGE OF PRESSURES (15 - 40 PSI)  
WIDE SPRAY ANGLE ALLOWS USE OF 40" SPACING



MATERIAL	DESCRIPTION	PRICE
VS	VISIFLO SS	17.08 \$
VC	VISIFLO CELCON	10.87 \$

# TURBO FLOODJET WIDE ANGLE FLAT SPRAY TIP

**\*\*Always verify tips or orifices you received are the size which you require before using with chemical.  
Chemical rates need to be obtained from your chemical dealer.\*\***

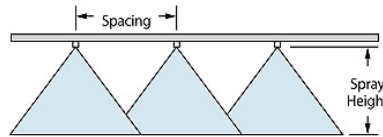


**EXCELLENT CHOICE FOR:  
PRE-EMERGE & SYSTEMIC HERBICIDES.  
SYSTEMIC FUNGICIDES & INSECTICIDES.**

**FEATURES:**

- \*\*EXCELLENT SPRAY DISTRIBUTION FOR UNIFORM COVERAGE ALONG THE BOOM.
- \*\*NOZZLE DESIGN INCORPORATES A PRE-ORIFICE TO PRODUCE LARGER DROPLETS FOR LESS DRIFT.
- \*\*LARGER ROUND ORIFICE REDUCES CLOGGING.
- \*\*STAINLESS STEEL WITH VISIFLO COLOR-CODING FOR EASY SIZE IDENTIFICATION.

MATERIAL	PRICE
CODE	PRICE
VS	18.96 S
VP	4.33 S



SPACING	OPTIMUM HEIGHT
20"	24"*
30"	30"*
40"	39"*

\*Wide angle spray nozzle height is influenced by nozzle orientation. The critical factor is to achieve a minimum 30% overlap.

	PSI	GPM	GPA 40" SPACING AT MPH										
			4	5	6	7	8	9	10	12	14	16	18
	10	0.20	7.4	5.9	5.0	4.2	3.7	3.3	3.0	2.5	2.1	1.9	1.7
TF-VS2	20	0.28	10.4	8.3	6.9	5.9	5.2	4.6	4.2	3.5	3.0	2.6	2.3
TF-VP2	30	0.35	13.0	10.4	8.7	7.4	6.5	5.8	5.2	4.3	3.7	3.2	2.9
RED	40	0.40	14.9	11.9	9.9	8.5	7.4	6.6	5.9	5.0	4.2	3.7	3.3
	10	0.25	9.3	7.4	6.2	5.3	4.6	4.1	3.7	3.1	2.7	2.3	2.1
TF-VS2.5	20	0.35	13.0	10.4	8.7	7.4	6.5	5.8	5.2	4.3	3.7	3.2	2.9
TF-VP2.5	30	0.43	16.0	12.8	10.6	9.1	8.0	7.1	6.4	5.3	4.6	4.0	3.5
BROWN	40	0.50	18.6	14.9	12.4	10.6	9.3	8.3	7.4	6.2	5.3	4.6	4.1
	10	0.30	11.1	8.9	7.4	6.4	5.6	5.0	4.5	3.7	3.2	2.8	2.5
TF-VS3	20	0.42	15.6	12.5	10.4	8.9	7.8	6.9	6.2	5.2	4.5	3.9	3.5
TF-VP3	30	0.52	19.3	15.4	12.9	11.0	9.7	8.6	7.7	6.4	5.5	4.8	4.3
GRAY	40	0.60	22	17.8	14.9	12.7	11.1	9.9	8.9	7.4	6.4	5.6	5.0
	10	0.40	14.9	11.9	9.9	8.5	7.4	6.6	5.9	5.0	4.2	3.7	3.3
TF-VS4	20	0.57	21	16.9	14.1	12.1	10.6	9.4	8.5	7.1	6.0	5.3	4.7
TF-VP4	30	0.69	26	20	17.1	14.6	12.8	11.4	10.2	8.5	7.3	6.4	5.7
WHITE	40	0.80	30	24	19.8	17.0	14.9	13.2	11.9	9.9	8.5	7.4	6.6
	10	0.50	18.6	14.9	12.4	10.6	9.3	8.3	7.4	6.2	5.3	4.6	4.1
TF-VS5	20	0.71	26	21	17.6	15.1	13.2	11.7	10.5	8.8	7.5	6.6	5.9
TF-VP5	30	0.87	32	26	22	18.5	16.1	14.4	12.9	10.8	9.2	8.1	7.2
BLUE	40	1.00	37	30	25	21	18.6	16.5	14.9	12.4	10.6	9.3	8.3
	10	0.75	28	22	18.6	15.9	13.9	12.4	11.1	9.3	8.0	7.0	6.2
TF-VS7.5	20	1.06	39	31	26	22	19.7	17.5	15.7	13.1	11.2	9.8	8.7
TF-VP7.5	30	1.30	48	39	32	28	24	21	19.3	16.1	13.8	12.1	10.7
GREEN	40	1.50	56	45	37	32	28	25	22	18.6	15.9	13.9	12.4
	10	1.00	37	30	25	21	18.6	16.5	14.9	12.4	10.6	9.3	8.3
TF-VS10	20	1.41	52	42	35	30	26	23	21	17.4	15.0	13.1	11.6
TF-VP10	30	1.73	64	51	43	37	32	29	26	21	18.4	16.1	14.3
BLACK	40	2.00	74	59	50	42	37	33	30	25	21	18.6	16.5

# FLOODJET WIDE ANGLE FLAT SPRAY TIPS & NOZZLES

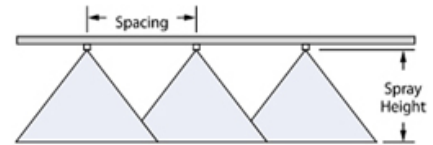


**\*\*Always verify tips or orifices you received are the size which you require before using with chemical.  
Chemical rates need to be obtained from your chemical dealer.\*\***

THE FLOODJET TIPS AND NOZZLES PRODUCE A VERY WIDE DEFLECTOR TYPE FLAT SPRAY PATTERN. ROUND ORIFICE MINIMIZES CLOGGING.

		PSI	GPM	GPA																			
				4	5	6	8	10	12	14	16	18	20	4	5	6	8	10	12	14	16	18	20
				mph	mph	mph	mph	mph	mph	mph	mph	mph	mph	mph	mph	mph	mph	mph	mph	mph	mph	mph	mph
TK-50	10K-50	10	0.05																				
		20	0.07	2.6	2.1	1.7	1.3	1.0	0.87	0.74	0.65	0.58	0.52										
		30	0.09	3.3	2.7	2.2	1.7	1.3	1.11	0.95	0.84	0.74	0.67										
TK-75	10K-75	10	0.08	3.0	2.4	2.0	1.5	1.2	0.99	0.85	0.74	0.66	0.59										
		20	0.11	4.1	3.3	2.7	2.0	1.6	1.4	1.2	1.0	0.91	0.82										
		30	0.13	4.8	3.9	3.2	2.4	1.9	1.6	1.4	1.2	1.1	0.97										
TK-1	10K-1	10	0.10	3.7	3.0	2.5	1.9	1.5	1.2	1.1	0.95	0.83	0.74										
		20	0.14	5.2	4.2	3.5	2.6	2.1	1.7	1.5	1.3	1.2	1.0										
		30	0.17	6.3	5.0	4.2	3.2	2.5	2.1	1.8	1.6	1.4	1.3										
TK-15	10K-15	10	0.10	3.7	3.0	2.5	1.9	1.5	1.2	1.1	0.95	0.83	0.74										
		20	0.21	7.8	6.2	5.2	3.9	3.1	2.6	2.2	1.9	1.7	1.6										
		30	0.26	9.7	7.7	6.4	4.8	3.9	3.2	2.8	2.4	2.1	1.9										
TK-V82	10K-V2	10	0.15	5.6	4.5	3.7	2.8	2.2	1.9	1.6	1.4	1.2	1.1										
		20	0.20	7.4	5.9	5.0	3.7	3.0	2.5	2.1	1.9	1.7	1.5										
		30	0.25	10.4	8.3	6.9	5.2	4.2	3.5	3.0	2.6	2.3	2.1										
TK-V82.5	10K-V2.5	10	0.25	9.3	7.4	6.2	4.6	3.7	3.1	2.7	2.3	2.1	1.9										
		20	0.35	13.0	10.4	8.7	6.5	5.2	4.3	3.7	3.2	2.9	2.6										
		30	0.43	16.0	12.8	10.6	8.0	6.4	5.3	4.6	4.0	3.5	3.2										
TK-V83	10K-V3	10	0.30	11.1	8.9	7.4	5.6	4.5	3.7	3.2	2.8	2.5	2.2										
		20	0.42	15.6	12.5	10.4	7.8	6.2	5.2	4.5	3.9	3.5	3.1										
		30	0.52	19.3	15.4	12.9	9.7	7.7	6.4	5.5	4.8	4.3	3.9										
TK-V84	10K-V4	10	0.40	14.9	11.9	9.9	7.4	5.9	5	4.2	3.7	3.3	3.0										
		20	0.57	21	16.9	14.1	10.6	8.5	7.1	6	5.3	4.7	4.2										
		30	0.69	26	20	17.1	12.8	10.2	8.5	7.3	6.4	5.7	5.1										
TK-V85	10K-V5	10	0.50	18.6	14.9	12.4	9.3	7.4	6.2	5.3	4.6	4.1	3.7										
		20	0.71	26	21	17.8	13.2	10.5	8.8	7.5	6.6	5.9	5.3										
		30	0.87	32	26	22	16.1	12.9	10.8	9.2	8.1	7.2	6.5										
TK-V87.5	10K-V5.5	10	0.75	28	22	18.6	13.9	11.1	9.3	8.0	7.0	6.2	5.6										
		20	1.06	39	31	26	19.7	15.7	13.1	11.2	9.8	8.7	7.9										
		30	1.30	48	39	32	24	19.3	16.1	13.8	12.1	10.7	9.7										
TK-V810	10K-V10	10	1.50	36	28	23	17.8	14.9	12.7	11.1	9.9	8.9											
		20	1.70	43	36	30	22	17.8	14.9	12.7	11.1	9.9	8.9										
		30	2.08	51	41	34	26	21	18.0	15.8	14.0	12.6											
TK-V11	10K-V11	10	1.50	36	28	23	17.8	14.9	12.7	11.1	9.9	8.9											
		20	2.12	79	63	52	39	31	26	22	19.3	17.2	15.4										
		30	2.60	97	77	64	48	39	32	28	24	21	19.3										
TK-V18	10K-V18	10	1.80	67	53	45	33	27	22	19.1	16.7	14.9	13.4										
		20	2.35	95	76	63	47	38	32	27	24	21	18.9										
		30	3.12	116	93	77	58	46	39	33	29	26	23										
TK-V20	10K-V20	10	2.00	74	59	50	37	30	25	21	18.6	16.5	14.9										
		20	2.83	105	84	70	53	42	35	30	26	23	21										
		30	3.46	128	103	86	64	51	43	37	32	29	26										
TK-V22	10K-V22	10	2.50	82	65	54	41	33	27	23	20	18.2	16.5										
		20	3.11	115	92	77	58	46	38	33	29	26	23										
		30	3.81	141	113	94	71	57	47	40	35	31	28										
TK-V24	10K-V24	10	2.40	89	71	59	45	36	30	25	22	19.8	17.8										
		20	3.39	126	101	84	63	50	42	36	31	28	25										
		30	4.16	154	124	103	77	62	51	44	39	34	31										

STYLE	DESCRIPTION	SIZE	PRICE
TKSS	ALL STAINLESS	.5-40	17.96 \$
TKVS	STAINLESS-VISIFLO		17.10 \$
1/4KSS	THREADED SS	1/4"	27.68 \$
3/8KSS	THREADED SS	3/8"	37.10 \$
1/8KSS	THREADED SS	1/8"	22.91 \$
QCK-SS	STAINLESS-VISIFLO	20-40	53.96 \$
QCK-SS	STAINLESS-VISIFLO	50-80	59.00 \$
QCK-SS	STAINLESS-VISIFLO	100-120	68.49 \$
QCK-SS	STAINLESS-VISIFLO	150-200	116.33 \$



THERE IS NO RECOMMENDED SPRAY HEIGHT FOR STANDARD FLOOD JET TIPS. RAISE OR LOWER SPRAY BOOM OR ROTATE NOZZLE BODIES TO DOUBLE OVERLAP SPRAY PATTERNS AND PROVIDE OPTIMUM COVERAGE ALONG BOOM.

# FLOODJET WIDE ANGLE FLAT SPRAY TIPS & NOZZLES



		PSI	GPM	MPA											
				4	5	6	8	10	12	14	16	18	20		
				rph	rph	rph	rph	rph	rph	rph	rph	rph	rph		
1/4K-27		10	2.7	67	53	45	33	27	22	19.1	16.7	14.9	13.4		
		20	3.8	94	75	63	47	38	31	27	24	21	18.8		
		30	4.7	116	93	78	58	47	39	33	29	26	23		
TK-30		40	5.4	134	107	89	67	53	43	38	33	30	27		
		10	3.0	74	59	50	37	30	25	21	18.3	16.5	14.9		
		20	4.2	104	83	69	52	42	35	30	26	23	21		
QCK-SS30		30	5.2	129	103	86	64	51	43	37	32	29	26		
		40	6.0	149	119	99	74	59	50	42	37	33	30		
		10	3.5	87	69	58	43	35	29	25	22	19.3	17.3		
TK-35		20	4.9	121	97	81	61	49	40	35	30	27	24		
		30	6.1	151	121	101	75	60	50	43	38	34	30		
		40	7.0	175	139	116	87	69	58	50	43	39	35		
TK-40		10	4.0	99	79	66	50	40	33	28	25	22	19.8		
		20	5.7	141	113	94	71	56	47	40	35	31	28		
		30	6.9	171	137	114	85	68	57	49	43	38	34		
QCK-SS40		40	8.0	198	158	132	99	79	66	57	50	44	40		
		10	4.5	111	89	74	56	45	37	32	28	25	22		
		20	6.4	158	127	106	79	63	53	45	40	35	32		
TK-45		30	7.8	193	154	129	97	77	64	55	48	43	39		
		40	9.0	223	178	149	111	89	74	64	56	50	45		
		10	5.0	124	99	83	62	50	41	35	31	28	25		
1/2K-50		20	7.1	176	141	117	88	70	59	50	44	39	35		
		30	8.7	215	172	144	108	86	72	62	54	48	43		
		40	10.0	248	198	165	124	99	83	71	62	55	50		
TK-50		10	6.0	149	119	99	74	59	50	42	37	33	30		
		20	8.5	210	168	140	105	84	70	60	53	47	42		
		30	10.4	257	206	172	129	103	86	74	64	57	51		
QCK-SS50		40	12.0	297	238	198	149	119	99	85	74	66	59		
		10	7.0	175	139	116	87	69	58	50	43	39	35		
		20	9.9	245	196	163	123	98	82	70	61	54	49		
TK-60		30	12.1	299	240	200	150	120	100	86	75	67	60		
		40	14.0	347	277	231	172	139	116	99	87	77	69		
		10	8.0	198	158	132	99	79	66	57	50	44	40		
1/2K-80		20	11.3	280	224	185	140	112	93	80	70	62	56		
		30	13.9	344	275	229	172	138	113	96	86	76	69		
		40	16.0	398	317	264	198	158	132	113	99	88	79		
TK-80		10	9.0	223	178	149	111	89	74	64	56	50	45		
		20	12.7	314	251	206	157	126	105	90	79	70	63		
		30	15.6	386	309	257	193	154	129	110	97	86	77		
QCK-SS80		40	18.0	446	356	297	223	178	149	127	111	99	89		
		10	10.0	248	198	165	124	99	83	70	62	55	50		
		20	14.1	349	279	233	174	140	116	100	87	78	70		
TK-100		30	17.3	428	345	285	214	171	143	122	107	95	86		
		40	20.0	493	396	330	248	198	165	141	124	110	99		
		10	11.0	272	218	182	136	109	91	78	68	61	54		
QCK-SS100		20	15.6	386	309	257	193	154	129	110	97	86	77		
		30	19.1	475	378	313	236	189	158	135	118	105	95		
		40	22.0	545	436	363	272	218	182	156	136	121	109		
TK-120		10	12.0	297	238	198	149	119	99	85	74	66	59		
		20	17.0	421	337	281	210	168	140	120	105	94	84		
		30	20.8	515	412	343	257	206	172	147	129	114	103		
QCK-SS120		40	24.0	594	475	396	297	238	198	170	149	132	119		
		10	14.0	347	277	231	173	139	116	99	87	77	69		
		20	19.8	490	392	327	245	196	163	140	123	109	98		
TK-140		30	24.2	589	479	399	299	240	200	171	150	133	120		
		40	28.0	693	554	462	347	277	231	198	173	154	139		
		10	15.0	371	297	248	185	149	124	106	93	83	74		
QCK-SS150		20	21.2	525	420	350	262	200	175	150	131	117	106		
		30	26.0	644	515	429	322	257	215	184	161	143	129		
		40	30.0	743	594	495	371	297	248	212	186	165	149		
TK-160		10	16.0	398	317	264	198	158	132	113	99	88	79		
		20	22.6	559	447	373	280	224	186	160	140	124	112		
		30	27.1	686	548	457	343	274	229	196	171	152	137		
QCK-SS180		40	32.0	792	634	528	396	317	264	226	198	176	158		
		10	18.0	446	356	297	223	178	149	127	111	99	89		
		20	25.3	631	505	421	316	252	200	180	158	140	126		
TK-210		30	31.2	772	618	515	386	309	257	221	193	172	154		
		40	36.0	891	713	594	446	356	297	253	223	196	178		
		10	21.0	520	416	347	260	208	173	149	130	116	104		
QCK-SS210		20	29.7	753	598	490	368	294	245	210	184	163	147		
		30	36.4	901	721	601	450	360	300	257	223	200	180		
		40	42.0	1040	832	693	520	416	347	297	260	231	208		

STYLE	DESCRIPTION	SIZE	PRICE
TKSS	ALL STAINLESS	.5-40	17.96 \$
TKVS	STAINLESS-VISIFLO		17.10 \$
1/4KSS	THREADED SS	1/4"	27.68 \$
3/8KSS	THREADED SS	3/8"	37.10 \$
1/8KSS	THREADED SS	1/8"	22.91 \$
QCK-SS	STAINLESS-VISIFLO	20-40	53.96 \$
QCK-SS	STAINLESS-VISIFLO	50-80	59.00 \$
QCK-SS	STAINLESS-VISIFLO	100-120	68.49 \$
QCK-SS	STAINLESS-VISIFLO	150-200	116.33 \$

# DISC-CORE TYPE FULL CONE SPRAY TIP



**\*\*Always verify tips or orifices you received are the size which you require before using with chemical.  
Chemical rates need to be obtained from your chemical dealer.\*\***

### ORIFICE DISCS:

AVAILABLE IN A VARIETY OF SIZES AND MATERIALS, CERAMIC FOR INCREASED WEAR LIFE, HARDENED STAINLESS STEEL, STAINLESS STEEL AND POLYMER.



### CORES:

STANDARD CORES ARE MADE OF BRASS, ALSO AVAILABLE IN CERAMIC, HARDENED STAINLESS STEEL, ALUMINUM AND NYLON. ALL CORES EXCEPT CERAMIC ARE MADE WITH READ "NIBS", BE SURE CORE IS ALWAYS PLACED WITH THE NIB FACING THE NOZZLE BODY.

PART #	DISC DESCRIPTION	PRICE
DCER-2	CERAMIC	5.93 \$
D2	HARDENED STAINLESS	2.17 \$
DE-2	STAINLESS	1.96 \$
DVP-2	POLYMER	1.39 \$

PART #	CORE DESCRIPTION	PRICE
DC-XX-CER	CERAMIC	9.00 \$
DC-XX-HSS	HARDENED STAINLESS	8.93 \$
DC-XX	BRASS	3.75 \$
DC-XX-NY	NYLON	1.96 \$

DISC	CORE	SIZE	GPM										SPRAY ANGLE		
			10	20	30	40	60	80	100	150	200	300	20	40	80
			PSI	PSI	PSI	PSI	PSI	PSI	PSI	PSI	PSI	PSI	PSI	PSI	PSI
DI	DC31	.031"	0.08	0.11	0.13	0.15	0.18	0.20	0.23	0.27	0.31	0.37	49°	47°	43°
D1.5	DC31	.036"	0.10	0.14	0.17	0.19	0.23	0.26	0.29	0.35	0.40	0.48	57°	65°	53°
D2	DC31	.041"	0.12	0.16	0.19	0.22	0.26	0.30	0.33	0.40	0.45	0.55	62°	63°	61°
D3	DC31	.047"	0.13	0.18	0.21	0.24	0.29	0.33	0.37	0.44	0.50	0.60	63°	65°	63°
D1.5	DC33	.031"	0.09	0.11	0.12	0.14	0.17	0.20	0.22	0.26	0.30	0.37	27°	32°	35°
D1.5	DC33	.036"	0.12	0.15	0.17	0.19	0.23	0.26	0.30	0.36	0.41	0.50	37°	43°	45°
D2	DC33	.041"	0.13	0.17	0.21	0.24	0.29	0.33	0.37	0.45	0.52	0.63	45°	52°	55°
D3	DC33	.047"	0.15	0.21	0.25	0.29	0.36	0.41	0.45	0.55	0.63	0.76	48°	54°	57°
D4	DC33	.063"	0.20	0.28	0.34	0.39	0.47	0.54	0.60	0.73	0.83	1.02	50°	56°	61°
D1.5	DC35	.031"	0.08	0.11	0.13	0.14	0.17	0.20	0.22	0.26	0.29	0.35	19°	23°	26°
D1.5	DC35	.036"	0.10	0.14	0.17	0.19	0.23	0.26	0.29	0.34	0.39	0.46	23°	27°	29°
D2	DC35	.041"	0.14	0.18	0.24	0.25	0.30	0.34	0.37	0.45	0.51	0.60	40°	44°	47°
D3	DC35	.047"	0.16	0.22	0.26	0.30	0.36	0.41	0.45	0.55	0.62	0.74	45°	50°	52°
D4	DC35	.063"	0.27	0.37	0.44	0.50	0.60	0.70	0.79	0.93	1.10	1.30	68°	70°	71°
D5	DC35	.078"	0.34	0.48	0.58	0.66	0.80	0.92	1.00	1.20	1.40	1.70	67°	69°	71°
D2	DC56	.041"			0.21	0.25	0.30	0.35	0.39	0.47	0.55	0.67		14°	17°
D3	DC56	.047"			0.29	0.34	0.41	0.48	0.53	0.65	0.75	0.92		20°	23°
D4	DC56	.063"		0.39	0.48	0.55	0.67	0.78	0.87	1.06	1.23	1.51	20°	26°	29°
D5	DC56	.078"	0.38	0.54	0.66	0.76	0.93	1.08	1.20	1.47	1.69	2.08	26°	32°	34°
D6	DC56	.094"	0.55	0.78	0.95	1.10	1.35	1.55	1.74	2.13	2.46	3.02	34°	39°	41°
D7	DC56	.109"	0.76	1.07	1.32	1.52	1.86	2.15	2.40	2.94	3.40	4.16	45°	52°	54°
D8	DC56	.125"	0.96	1.36	1.67	1.93	2.36	2.73	3.05	3.73	4.32	5.28	52°	57°	59°
D10	DC56	.156"	1.35	1.91	2.34	2.70	3.31	3.82	4.26	5.22	6.03	7.39	62°	65°	67°

## DISC-CORE TYPE HOLLOW CONE SPRAY TIP

\*\*Always verify tips or orifices you received are the size which you require before using with chemical.  
Chemical rates need to be obtained from your chemical dealer.\*\*

### TYPICAL ASSEMBLY W/CERAMIC DISC & CORE



PART #	DISC DESCRIPTION	PRICE
DCER-2	CERAMIC	5.93 \$
D2	HARDENED STAINLESS	2.17 \$
DE-2	STAINLESS	1.96 \$
DVP-2	POLYMER	1.39 \$

PART #	CORE DESCRIPTION	PRICE
DC-XX-CER	CERAMIC	9.00 \$
DC-XX-HSS	HARDENED STAINLESS	8.93 \$
DC-XX	BRASS	3.75 \$
DC-XX-NY	NYLON	1.96 \$

DISC	CORE	SIZE	GPM										SPRAY ANGLE			
			10 PSI	20 PSI	30 PSI	40 PSI	60 PSI	80 PSI	100 PSI	150 PSI	200 PSI	300 PSI	20 PSI	40 PSI	80 PSI	
D1	DC13	.031"			<b>0.059</b>	<b>0.066</b>	<b>0.070</b>	<b>0.078</b>	<b>0.088</b>	<b>0.097</b>	<b>0.115</b>	<b>0.128</b>	<b>0.153</b>	31°	42°	
D1.5	DC13	.036"		0.057	0.067	0.075	0.088	0.098	0.110	0.127	0.142	0.167	38°	55°	68°	
D2	DC13	.041"		0.064	0.075	0.08	0.10	0.11	0.12	0.14	0.16	0.18	0.20	49°	67°	72°
D3	DC13	.047"		0.071	0.08	0.09	0.11	0.12	0.13	0.16	0.18	0.20	0.23	53°	70°	75°
D4	DC13	.063"	0.070	0.09	0.11	0.12	0.14	0.16	0.17	0.20	0.23	0.27	0.29	69°	79°	83°
D11	DC23	.051"			<b>0.084</b>	<b>0.092</b>	<b>0.100</b>	<b>0.109</b>	<b>0.124</b>	<b>0.137</b>	<b>0.159</b>	<b>0.184</b>	47°	56°		
D11.5	DC23	.058"		0.090	0.096	0.106	0.113	0.117	0.130	0.153	0.175	0.210	54°	51°	62°	
D12	DC23	.061"		0.078	0.092	0.10	0.13	0.14	0.16	0.19	0.21	0.23	51°	63°	70°	
D13	DC23	.067"	0.065	0.087	0.10	0.13	0.14	0.16	0.18	0.21	0.24	0.28	0.30	56°	69°	75°
D4	DC23	.063"	0.082	0.113	0.14	0.15	0.19	0.21	0.23	0.28	0.32	0.38	0.38	68°	82°	87°
D5	DC23	.078"	0.095	0.15	0.16	0.18	0.22	0.25	0.28	0.34	0.36	0.46	0.46	79°	89°	94°
D6	DC23	.094"	0.112	0.15	0.19	0.21	0.26	0.29	0.32	0.39	0.45	0.54	0.54	84°	93°	98°
D1.5	DC23	.051"			0.088	0.101	0.122	0.138	0.156	0.185	0.210	0.255				
D11	DC23	.058"			<b>0.118</b>	<b>0.133</b>	<b>0.163</b>	<b>0.180</b>	<b>0.203</b>	<b>0.240</b>	<b>0.280</b>	<b>0.33</b>	56°	68°		
D12	DC23	.061"		0.13	0.14	0.16	0.19	0.23	0.25	0.29	0.34	0.41	50°	51°	56°	
D13	DC23	.067"	0.10	0.14	0.17	0.19	0.23	0.26	0.29	0.35	0.40	0.48	52°	61°	67°	
D4	DC23	.063"	0.13	0.21	0.23	0.29	0.33	0.40	0.43	0.49	0.63	0.73	67°	74	80	
D5	DC23	.078"	0.18	0.25	0.30	0.35	0.42	0.48	0.54	0.65	0.75	0.90	73°	79°	84°	
D6	DC23	.094"	0.23	0.32	0.39	0.44	0.54	0.62	0.70	0.85	0.97	1.19	79°	85°	89°	
D7	DC23	.109"	0.26	0.37	0.45	0.52	0.63	0.75	0.81	0.98	1.18	1.37	83°	91°	93°	
D8	DC23	.125"	0.31	0.43	0.53	0.61	0.75	0.89	0.97	1.19	1.36	1.68	91°	96°	97°	
D10	DC23	.136"	0.38	0.54	0.65	0.76	0.93	1.07	1.21	1.48	1.71	2.10	97°	102°	105°	
D13	DC23	.186"	0.46	0.61	0.80	0.93	1.15	1.33	1.47	1.81	2.09	2.53	105°	109°	112°	
D14	DC23	.219"	0.51	0.72	0.98	1.13	1.36	1.47	1.65	2.03	2.34	2.89	106°	115°	114°	
D1	DC43	.051"				<b>0.123</b>	<b>0.136</b>	<b>0.170</b>	<b>0.190</b>	<b>0.23</b>	<b>0.27</b>	<b>0.310</b>	22°	34°		
D1.5	DC43	.036"			0.14	0.16	0.20	0.25	0.25	0.31	0.35	0.43		33°	44°	
D2	DC43	.041"		0.14	0.18	0.20	0.25	0.28	0.32	0.38	0.44	0.53	32°	46°	55°	
D3	DC43	.047"		0.17	0.20	0.25	0.28	0.35	0.36	0.44	0.51	0.62	40°	55°	60°	
D4	DC43	.063"	0.18	0.25	0.31	0.36	0.45	0.50	0.56	0.68	0.78	0.95	62°	69°	72°	
D5	DC43	.078"	0.23	0.32	0.39	0.45	0.55	0.64	0.71	0.86	0.99	1.23	67°	75°	78°	
D6	DC43	.094"	0.28	0.41	0.50	0.56	0.72	0.83	0.93	1.13	1.23	1.54	75°	79°	81°	
D7	DC43	.109"	0.33	0.48	0.58	0.68	0.84	0.97	1.11	1.35	1.57	1.94	81°	88°	87°	
D8	DC43	.125"	0.41	0.58	0.72	0.84	1.04	1.21	1.35	1.68	1.94	2.40	88°	98°	98°	
D10	DC43	.136"	0.54	0.77	0.94	1.10	1.35	1.57	1.77	2.18	2.50	3.10	90°	93°	93°	
D12	DC43	.186"	0.67	0.95	1.17	1.36	1.68	1.95	2.20	2.69	3.11	3.80	97°	100°	102°	
D14	DC43	.218"	0.75	1.07	1.32	1.53	1.89	2.19	2.45	3.00	3.49	4.30	101°	104°	105°	
D16	DC43	.250"	0.86	1.25	1.54	1.79	2.20	2.57	2.89	3.54	4.11	5.20	108°	111°	112°	
D1	DC46	.051"				0.145	0.178	0.205	0.25	0.28	0.32	0.39	13°	15°		
D1.5	DC46	.036"				0.215	0.260	0.300	0.35	0.41	0.46	0.56	17°	17°		
D2	DC46	.041"			0.24	0.27	0.33	0.37	0.42	0.50	0.57	0.68	18°	21°		
D3	DC46	.047"	0.23	0.28	0.32	0.39	0.45	0.51	0.61	0.70	0.86	14°	20°	24°		

# QUICK TURBO FLOODJET WIDE ANGLE FLAT SPRAY TIP



**FEATURES:**

PATENTED TURBULENCE CHAMBER CREATES A DRAMATIC IMPROVEMENT PATTERN UNIFORMITY.  
 PRE-ORIFICE DESIGN PRODUCES LARGER DROPLETS FOR REDUCED DRIFT.  
 LARGE ROUND ORIFICE REDUCES CLOGGING.  
 GROOVED SIDE MOLDING FOR AUTOMATIC ALIGNMENT WITH ANY QUICK COUPLER.  
 STAINLESS STEEL WITH COLOR-CODING FOR EASY SIZE IDENTIFICATION.  
 AVAILABLE IN STANDARD SIZES FROM 1.5 GPM TO 24 GPM AT PRESSURES OF 10 - 40 PSI.

PART	SIZE	PRICE
QCTF-VS-XX	15-80	50.18 S
QCTF-VS-XX	100-120	68.49 S

OPTIMUM SPRAY HEIGHT	
SPACING	HEIGHT
40"	40"
60"	60"



	PSI	GPM	GPA							
			4 mph	6 mph	8 mph	10 mph	12 mph	14 mph	16 mph	18 mph
QCTF-VS15	10	1.50	37	25	18.6	14.9	12.4	10.6	9.3	8.3
	20	2.12	52	35	26	21	17.5	15.0	13.1	11.7
	30	2.60	64	43	32	26	21	18.4	16.1	14.3
	40	3.00	74	50	37	30	25	21	18.6	16.5
QCTF-VS20	10	2.00	50	33	25	19.8	16.5	14.1	12.4	11.0
	20	2.83	70	47	35	28	23	20	17.5	15.6
	30	3.46	86	57	43	34	29	24	21	19.0
	40	4.00	99	66	50	40	33	28	25	22
QCTF-VS30	10	3.00	74	50	37	30	25	21	18.6	16.5
	20	4.24	105	70	52	42	35	30	26	23
	30	5.20	129	86	64	51	43	37	32	29
	40	6.00	149	99	74	59	50	42	37	33
QCTF-VS40	10	4.00	99	66	50	40	33	28	25	22
	20	5.66	140	93	70	56	47	40	35	31
	30	6.93	172	114	86	69	57	49	43	38
	40	8.00	198	132	99	79	66	57	50	44
QCTF-VS50	10	5.00	124	83	62	50	41	35	31	28
	20	7.07	175	117	78	70	58	50	44	39
	30	8.66	214	143	107	86	71	61	54	48
	40	10.00	248	165	124	99	83	71	62	55
QCTF-VS60	10	6.00	149	99	74	59	50	42	37	33
	20	8.49	210	140	105	84	70	60	53	47
	30	10.4	257	172	129	103	86	74	64	57
	40	12.0	297	198	149	119	99	85	74	66
QCTF-VS80	10	8.00	198	132	99	79	66	57	50	44
	20	11.3	280	186	140	112	93	80	70	62
	30	13.9	344	229	172	138	115	98	86	76
	40	16.0	396	264	198	158	132	113	99	88
QCTF-VS100	10	10.0	248	165	124	99	83	71	62	55
	20	14.1	349	233	174	140	116	100	87	78
	30	17.3	428	285	214	171	143	122	107	95
	40	20.0	495	330	248	198	165	141	124	110
QCTF-VS120	10	12.0	297	198	149	119	99	85	74	66
	20	17.0	421	281	210	168	140	120	105	94
	30	20.8	515	343	257	206	172	147	129	114
	40	24.0	594	396	297	238	198	170	149	132



## OFF-CENTER FLAT SPRAY TIP SMALL CAPACITIES

**\*\*Always verify tips or orifices you received are the size which you require before using with chemical.  
Chemical rates need to be obtained from your chemical dealer.\*\***



PART	PRICE
OC-02 THRU OC-16	16.02 S
OC-SS-02 THRU OC-SS-16	23.67 S



TEEJET OFF-CENTER SPRAY TIPS ARE COMMONLY INSTALLED IN DOUBLE AND SINGLE NOZZLE BODIES. BECAUSE THESE BODIES ARE ADJUSTABLE FOR ANGULAR POSITION, A WIDE SPRAY SWATH IS EASILY OBTAINED.

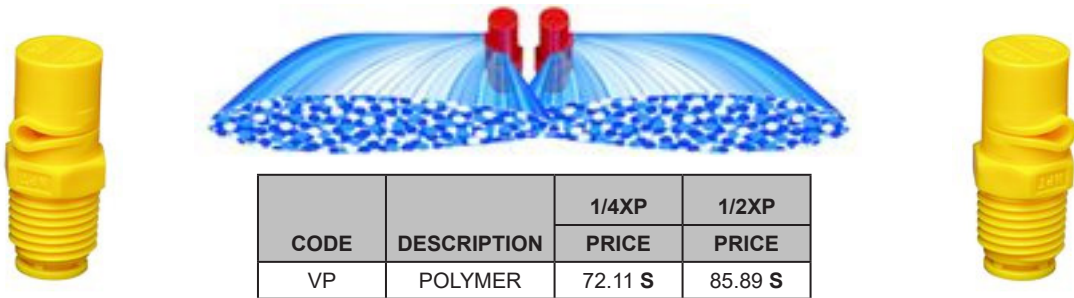
RECOMMENDED SPRAYING PRESSURES ARE 30-60 PSI (2-4 BAR).  
AVAILABLE IN STAINLESS STEEL AND BRASS.

	PSI	GPM	"H" = 18"				"H" = 24"					
			"W" in inches	GPA				"W" in inches	GPA			
				3 mph	4 mph	5 mph	6 mph		3 mph	4 mph	5 mph	6 mph
OC-02	30	0.17	68	5.0	3.7	3.0	2.5	75	4.5	3.4	2.7	2.2
	40	0.20	70	5.7	4.2	3.4	2.8	77	5.1	3.9	3.1	2.6
	60	0.24	72	6.6	5.0	4.0	3.3	78	6.1	4.6	3.7	3.0
OC-03	30	0.26	77	6.7	5.0	4.0	3.3	80	6.4	4.8	3.9	3.2
	40	0.30	80	7.4	5.6	4.5	3.7	83	7.2	5.4	4.3	3.6
	60	0.37	82	8.9	6.7	5.4	4.5	85	8.6	6.5	5.2	4.3
OC-04	30	0.35	91	7.6	5.7	4.6	3.8	93	7.5	5.6	4.5	3.7
	40	0.40	93	8.5	6.4	5.1	4.3	94	8.4	6.3	5.1	4.2
	60	0.49	94	10.3	7.7	6.2	5.2	95	10.2	7.7	6.1	5.1
OC-06	30	0.52	99	10.4	7.8	6.2	5.2	108	9.5	7.2	5.7	4.8
	40	0.60	101	11.8	8.8	7.1	5.9	110	10.8	8.1	6.5	5.4
	60	0.73	102	14.2	10.6	8.5	7.1	111	13.0	9.8	7.8	6.5
OC-08	30	0.69	100	13.7	10.2	8.2	6.8	110	12.4	9.3	7.5	6.2
	40	0.80	102	15.5	11.6	9.3	7.8	112	14.1	10.6	8.5	7.1
	60	0.98	104	18.7	14.0	11.2	9.3	113	17.2	12.9	10.3	8.6
OC-12	30	1.04	102	20	15.1	12.1	10.1	113	18.2	13.7	10.9	9.1
	40	1.20	104	23	17.1	13.7	11.4	115	21	15.5	12.4	10.3
	60	1.47	105	28	21	16.6	13.9	116	25	18.8	15.1	12.5
OC-16	30	1.39	132	21	15.6	12.5	10.4	142	19.4	14.5	11.6	9.7
	40	1.60	138	23	17.2	13.8	11.5	146	22	16.3	13.0	10.8
	60	1.96	143	27	20	16.3	13.6	148	26	19.7	15.7	13.1

# XPBOOMJET BOOMLESS FLAT SPRAY NOZZLE



PART#	PSI	TWO NOZZLE		NOZZLE SPACING 3"												
		GPM	24" HEIGHT	GPA FOR TWO NOZZLES AT MPH						36" HEIGHT	GPA FOR TWO NOZZLES AT MPH					
				4	6	8	10	15	20		4	6	8	10	15	20
1/4XP10R 1/4XP10L	80	1.62	17	10.3	8.8	6.3	4.1	3.3	2.1	80	8.8	6.3	4.4	3.3	2.3	1.8
	30	1.74	20	10.3	7.2	5.1	4.3	3.3	2.2	82	8.8	6.3	4.3	3.3	2.3	1.8
	40	1	22	11.3	7.8	5.8	4.8	3	2.3	88	8.8	6.3	4	4	2.8	1.8
	50	1.84	25	11.1	7.4	5.8	4.4	3	2.2	87	10.3	6.3	5.1	4.1	2.7	2.1
1/4XP20R 1/4XP20L	20	2.84	18	19.5	13	9.8	7.8	5.2	3.9	22	16	10.7	8	6.4	4.3	3.2
	30	3.5	23	18.8	12.6	9.4	7.5	5.2	3.8	24	18	12	9	7.2	4.8	3.6
	40	4	27	18.3	12.2	9.2	7.3	4.9	3.7	28	17.7	11.8	8.8	7.1	4.7	3.5
	50	4.5	29	19.2	12.8	9.6	7.7	5.1	3.8	30	18.8	12.4	9.3	7.4	5	3.7
	60	5	30	21	13.8	10.3	8.3	5.5	4.1	32	19.3	12.9	9.7	7.7	5.2	3.9
1/4XP25R 1/4XP25L	80	3.09	21	21	13.7	10.3	8.2	6.8	4.1	82	19.3	13.1	9.8	7.8	5.2	3.9
	30	4.09	24	22	14.5	11	8.8	6.9	4.4	87	19.3	13	9.8	7.8	5.2	3.9
	40	5	27	23	15.3	11.8	9.2	8.1	4.8	88	21	14.2	10.7	8.8	6.7	4.8
	50	6.8	29	24	15.5	11.7	9.4	8.2	4.7	89	22	14.1	11.3	9.1	6.1	4.8
	60	8	30	25	15.5	12.4	9.8	8.8	6	92	22	14.8	11.8	9.8	6.2	4.8
1/2XP40R 1/2XP40L	20	5.74	22	32	22	16.1	12.9	8.8	6.5	24	30	19.7	14.8	11.8	7.9	5.9
	30	7.08	28	34	22	16.8	13.4	9	6.7	29	30	20	15.1	12.1	8	6
	40	8	2	35	24	17.7	14.1	9.4	7.1	31	32	21	16	12.8	8.5	6.4
	50	9.1	30	38	25	18.8	15	10.1	7.5	32	35	23	17.8	14.1	9.4	7
	60	10	32	39	26	19.3	15.5	10.3	7.7	35	35	24	17.7	14.1	9.4	7.1
1/2XP60R 1/2XP60L	80	11.2	25	43	30	27	21	14.5	10.7	38	40	30	22	17.8	11.9	9.8
	30	15.7	30	47	30	26	20	14.1	11.3	39	41	31	23	18.7	12.3	10.3
	40	17	32	48	41	31	22	15.8	12.4	40	42	32	24	19	11.3	11.3
	50	17.8	33	49	44	33	23	17.8	13.1	40	43	33	24	19	11	11
	60	19.2	35	50	46	34	24	18.1	13.6	42	44	34	25	19.1	12.9	12.9



CODE	DESCRIPTION	1/4XP	1/2XP
		PRICE	PRICE
VP	POLYMER	72.11 S	85.89 S

PART#	PSI	ONE NOZZLE		NOZZLE SPACING 3"												
		GPM	24" HEIGHT	GPA FOR ONE NOZZLES AT MPH						36" HEIGHT	GPA FOR ONE NOZZLES AT MPH					
				4	6	8	10	15	20		4	6	8	10	15	20
1/4XP10R 1/4XP10L	80	0.91	8.8	10.3	8.8	6.3	4.1	3.3	2.1	80	8.8	6.3	4.4	3.3	2.3	1.8
	30	0.97	10	10.3	7.2	5.1	4.3	3.3	2.2	82	8.8	6.3	4.3	3.3	2.3	1.8
	40	1	11	11.3	7.8	5.8	4.8	3	2.3	88	8.8	6.3	4	4	2.8	1.8
	50	1.02	12.8	11.1	7.4	5.8	4.4	3	2.2	87	10.3	6.3	5.1	4.1	2.7	2.1
1/4XP20R 1/4XP20L	20	1.42	9	19.5	13	9.8	7.8	5.2	3.9	22	16	10.7	8	6.4	4.3	3.2
	30	1.75	11.5	18.8	12.6	9.4	7.5	5.2	3.8	24	18	12	9	7.2	4.8	3.6
	40	2	13.5	18.3	12.2	9.2	7.3	4.9	3.7	28	17.7	11.8	8.8	7.1	4.7	3.5
	50	2.25	14.5	19.2	12.8	9.6	7.7	5.1	3.8	30	18.8	12.4	9.3	7.4	5	3.7
	60	2.5	16	21	13.8	10.3	8.3	5.5	4.1	32	19.3	12.9	9.7	7.7	5.2	3.9
1/4XP25R 1/4XP25L	80	1.74	10.8	21	13.7	10.3	8.2	6.8	4.1	82	19.3	13.1	9.8	7.8	5.2	3.9
	30	2.39	12	22	14.5	11	8.8	6.9	4.4	87	19.3	13	9.8	7.8	5.2	3.9
	40	2.8	13.8	23	15.3	11.8	9.2	8.1	4.8	88	21	14.2	10.7	8.8	6.7	4.8
	50	2.78	14.8	24	15.5	11.7	9.4	8.2	4.7	89	22	14.1	11.3	9.1	6.1	4.8
	60	3	16	25	15.5	12.4	9.8	8.8	6	92	22	14.8	11.8	9.8	6.2	4.8
1/2XP40R 1/2XP40L	20	2.87	11	32	22	16.1	12.9	8.8	6.5	24	30	19.7	14.8	11.8	7.9	5.9
	30	3.53	13	34	22	16.8	13.4	9	6.7	29	30	20	15.1	12.1	8	6
	40	4	14	35	24	17.7	14.1	9.4	7.1	31	32	21	16	12.8	8.5	6.4
	50	4.55	15	38	25	18.8	15	10.1	7.5	32	35	23	17.8	14.1	9.4	7
	60	5	16	39	26	19.3	15.5	10.3	7.7	35	35	24	17.7	14.1	9.4	7.1
1/2XP60R 1/2XP60L	80	6.8	13	43	30	27	21	14.5	10.7	38	40	30	22	17.8	11.9	9.8
	30	9.69	16	47	30	26	20	14.1	11.3	39	41	31	23	18.7	12.3	10.3
	40	8	16	48	41	31	22	15.8	12.4	40	42	32	24	19	11.3	11.3
	50	8.75	16.8	49	44	33	23	17.8	13.1	40	43	33	24	19	11	11
	60	9.8	17.8	50	46	34	24	18.1	13.6	42	44	34	25	19.1	12.9	12.9

# EVEN FLAT SPRAY TIP

**\*\*Always verify tips or orifices you received are the size which you require before using with chemical.  
Chemical rates need to be obtained from your chemical dealer.\*\***

## FEATURES:



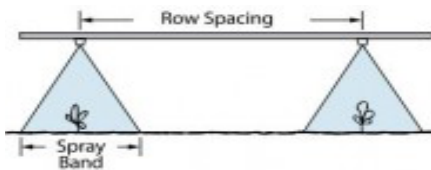
Ideal for banding over the row or in row middles.

Provides uniform distribution throughout the flat spray pattern.

Easily mounted on spray boom or planter.

Available with VisiFlo color-coding in stainless steel or all stainless steel, hardened stainless steel and brass.

MATERIAL		
CODE	DESCRIPTION	PRICE
VS	VISIFLO SS	8.98 S
SS	STAINLESS STEEL	15.72 S
	BRASS	6.14 S



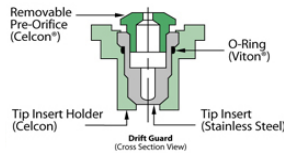
	PSI	GPM	GPA FOR 30" SPACING											
			3	3.5	4	4.5	5	5.5	6	6.5	7	7.5	8	8.5
TP4001E*	20	0.07	4.6	4.0	3.3	3.1	2.8	2.5	2.3	2.1	2.0	1.8	1.7	1.6
TP6501E*	30	0.09	5.9	5.1	4.5	4.0	3.6	3.2	3.0	2.7	2.5	2.4	2.2	2.1
ORANGE	40	0.10	6.6	5.7	5.0	4.4	4.0	3.6	3.3	3.0	2.8	2.6	2.5	2.3
TP9001E	50	0.11	7.3	6.2	5.4	4.8	4.4	4.0	3.6	3.4	3.1	2.9	2.7	2.6
TP9501E	60	0.12	7.9	6.8	5.9	5.3	4.8	4.3	4.0	3.7	3.4	3.2	3.0	2.8
TP4001SE*	20	0.11	7.3	6.2	5.4	4.8	4.4	4.0	3.6	3.4	3.1	2.9	2.7	2.6
TP6501SE*	30	0.13	8.6	7.4	6.4	5.7	5.1	4.7	4.3	4.0	3.7	3.4	3.2	3.0
GREEN	40	0.13	9.9	8.5	7.4	6.6	5.9	5.4	5.0	4.6	4.2	4.0	3.7	3.5
TP8001SE	50	0.17	11.2	9.6	8.4	7.5	6.7	6.1	5.6	5.2	4.8	4.5	4.2	4.0
TP9501SE	60	0.18	11.9	10.2	8.9	7.9	7.1	6.5	5.9	5.5	5.1	4.8	4.5	4.2
TP4002E*	20	0.14	9.2	7.9	6.9	6.2	5.5	5.0	4.6	4.3	4.0	3.7	3.5	3.3
TP6502E*	30	0.17	11.2	9.6	8.4	7.5	6.7	6.1	5.6	5.2	4.8	4.5	4.2	4.0
YELLOW	40	0.20	13.2	11.3	9.9	8.8	7.9	7.2	6.6	6.1	5.7	5.3	5.0	4.7
TP8002E	50	0.22	14.5	12.4	10.9	9.7	8.7	7.9	7.3	6.7	6.2	5.8	5.4	5.1
TP9502E	60	0.24	15.8	13.6	11.9	10.6	9.5	8.6	7.9	7.3	6.8	6.3	5.9	5.6
TP4003E*	20	0.21	13.9	11.9	10.4	9.2	8.3	7.6	6.9	6.4	5.9	5.5	5.2	4.9
TP6503E*	30	0.26	17.2	14.7	12.9	11.4	10.3	9.4	8.6	7.9	7.4	6.9	6.4	6.1
BLUE	40	0.30	19.8	17.0	14.9	13.2	11.9	10.8	9.9	9.1	8.3	7.9	7.4	7.0
TP8003E	50	0.34	22	19.2	16.8	15.0	13.5	12.2	11.2	10.4	9.6	9.0	8.4	7.9
TP9503E	60	0.37	24	21	18.3	16.3	14.7	13.3	12.2	11.3	10.5	9.8	9.2	8.6
TP4004E*	20	0.28	18.5	15.8	13.9	12.3	11.1	10.1	9.2	8.5	7.9	7.4	6.9	6.5
TP6504E*	30	0.35	23	19.8	17.3	15.4	13.9	12.6	11.6	10.7	9.9	9.2	8.7	8.2
RED	40	0.40	26	23	19.8	17.6	15.8	14.4	13.2	12.2	11.3	10.6	9.9	9.3
TP8004E	50	0.45	30	25	22	19.8	17.8	16.2	14.9	13.7	12.7	11.9	11.1	10.5
TP9504E	60	0.49	32	28	24	22	19.6	17.6	16.2	14.9	13.9	12.9	12.1	11.4
TP4005E*	20	0.35	23	19.8	17.3	15.4	13.9	12.6	11.6	10.7	9.9	9.2	8.7	8.2
TP6505E*	30	0.43	28	24	21	18.9	17.0	15.5	14.2	13.1	12.2	11.4	10.6	10.0
BROWN	40	0.50	33	28	25	22	19.8	18.0	16.5	15.2	14.1	13.2	12.4	11.6
TP8005E	50	0.56	37	32	28	25	22	20	18.5	17.1	15.8	14.8	13.9	13.0
TP9505E	60	0.61	40	35	30	27	24	22	20	18.6	17.3	16.1	15.1	14.2
TP4006E*	20	0.42	38	24	21	18.5	16.6	15.1	13.9	12.8	11.9	11.1	10.4	9.8
TP6506E*	30	0.52	34	29	26	23	21	18.7	17.2	15.8	14.7	13.7	12.9	12.1
GRAY	40	0.60	40	34	30	26	24	22	19.8	18.3	17.0	15.8	14.9	14.0
TP8006E	50	0.67	44	38	33	29	27	24	22	20	19.0	17.7	16.6	15.6
TP9506E	60	0.73	48	41	36	32	29	26	24	22	21	19.3	18.1	17.0
TP4008E*	20	0.57	38	32	28	25	23	21	18.8	17.4	16.1	15.0	14.1	13.3
TP6508E*	30	0.69	46	39	34	30	27	25	23	21	19.5	18.2	17.1	16.1
WHITE	40	0.80	53	45	40	35	32	29	26	24	23	21	19.8	18.6
TP8008E	50	0.89	59	50	44	39	35	32	29	27	25	23	22	21
TP11008E	60	0.98	65	55	49	43	39	35	32	30	28	26	24	23
TP4010E*	20	0.71	47	40	35	31	28	26	23	22	20	18.7	17.6	16.5
TP6510E*	30	0.87	57	49	43	38	34	31	29	27	25	23	22	20
TP8010E*	40	1.00	66	57	50	44	40	36	33	30	28	26	25	23
TP11010E*	50	1.12	74	63	55	49	44	40	37	34	32	30	28	26
	60	1.22	81	69	60	54	48	44	40	37	35	32	30	28
TP4015E*	20	1.05	70	60	52	47	42	38	35	32	30	28	26	25
TP6515E*	30	1.30	86	74	64	57	51	47	43	40	37	34	32	30
TP8015E*	40	1.50	99	85	74	66	59	54	50	46	42	40	37	35
TP11015E*	50	1.68	111	95	83	74	67	60	55	51	48	44	42	39
	60	1.84	121	104	91	81	73	66	61	56	52	49	46	43

BAND	SPRAY HEIGHT					GPA	
WIDTH	BY NOZZLE DEGREE					CONVERSION	
	40°	65°	80°	95°	110°	20"	30"
8"	11"	6"	5"	4"	3"	2.50	3.75
10"	14"	8"	6"	5"	4"	2.00	2.00
12"	16"	9"	7"	5"	4"	1.67	2.50
15"	21"	12"	9"	7"	5"	1.33	2.00

**TO FIND GPA RATE ON BAND WIDTHS, MULTIPLY THE TABULATED GPA FOR ROW SPACING BY CONVERSION FACTORS.**

# DRIFT GUARD EVEN FLAT SPRAY TIP

**\*\*Always verify tips or orifices you received are the size which you require before using with chemical.  
Chemical rates need to be obtained from your chemical dealer.\*\***

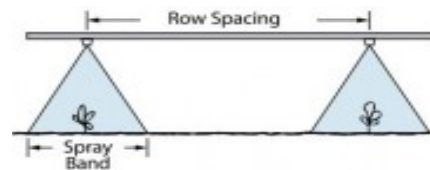


**FEATURES:**

- \*\*PRE-ORIFICE DESIGN PRODUCES LARGE DROPLETS TO REDUCE DRIFT.
- \*\*IDEAL FOR BANDING OVER THE ROW OR IN ROW MIDDLES.
- \*\*PROVIDES UNIFORM DISTRIBUTION THROUGHOUT THE FLAT SPRAY PATTERN.
- \*\*EASILY MOUNTED ON SPRAY BOOM OR PLANTER.

## DG TEEJET DRIFT GUARD \$13.88 S

BAND WIDTH	HEIGHT	GPA CONVERSION FACTOR 30"
8"	4"	3.8
10"	5"	3.0
12"	5"	2.5
15"	7"	2.0
18"	8"	1.7



TO FIND GPA RATE ON BAND WIDTHS, MULTIPLY THE TABULATED GPA FOR ROW SPACING BY CONVERSION FACTORS.

	PSI	GPM	OZ/ MIN.	GPA FOR 30" SPACING					
				3 mph	4 mph	5 mph	6 mph	7 mph	8 mph
DG95015EVS	30	0.13	17	8.6	6.4	5.1	4.3	3.7	3.2
	40	0.15	19	9.9	7.4	5.9	5.0	4.2	3.7
	50	0.17	22	11.2	8.4	6.7	5.6	4.8	4.2
	60	0.18	23	11.9	8.9	7.1	5.9	5.1	4.5
DG9502EVS	30	0.17	22	11.2	8.4	6.7	5.6	4.8	4.2
	40	0.2	26	13.2	9.9	7.9	6.6	5.7	5.0
	50	0.22	28	14.5	10.9	8.7	7.3	6.2	5.4
	60	0.24	31	15.8	11.9	9.5	7.9	6.8	5.9
DG9503EVS	30	0.26	33	17.2	12.9	10.3	8.6	7.4	6.4
	40	0.3	38	19.8	14.9	11.9	9.9	8.5	7.4
	50	0.34	44	22	16.8	13.5	11.2	9.6	8.4
	60	0.37	47	24	18.3	14.7	12.2	10.5	9.2
DG9504EVS	30	0.35	45	23	17.3	13.9	11.6	9.9	8.7
	40	0.4	51	26	19.8	15.8	13.2	11.3	9.9
	50	0.45	58	30	22	17.8	14.9	12.7	11.1
	60	0.49	63	32	24	19.4	16.2	13.9	12.1
DG9505EVS	30	0.43	55	28	21	17.0	14.2	12.2	10.6
	40	0.5	64	33	25	19.8	16.5	14.1	12.4
	50	0.56	72	37	28	22	18.5	15.8	13.9
	60	0.61	78	40	30	24	20	17.3	15.1

# AIR INDUCTION EVEN FLAT SPRAY TIP

**\*\*Always verify tips or orifices you received are the size which you require before using with chemical.  
Chemical rates need to be obtained from your chemical dealer.\*\***

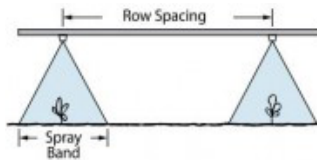


**FEATURES:**

- \*POLYMER INSERT HOLDER AND PRE-ORIFICE WITH VISIFLO COLOR-CODING.
- \*LARGER DROPLETS FOR LESS DRIFT.
- \*DEPENDING ON THE CHEMICAL, PRODUCES LARGE AIR-FILLED DROPS THROUGH THE USE OF A VENTURI AIR ASPIRATOR.

BAND	HEIGHT	GPA CONVERSION
WIDTH	95°	FACTOR 30"
8"	4"	3.8
10"	5"	3.0
12"	5"	2.5
15"	7"	2.0
18"	8"	1.7

## AI TEEJET EVEN \$19.62 S



TO FIND GPA RATE ON BAND WIDTHS, MULTIPLY THE TABULATED GPA FOR ROW SPACING BY CONVERSION FACTORS.

	PSI	1 NOZZLE GPM	1 NOZZLE OZ/ MIN.	GPA FOR 30" SPACING							
				4 mph	5 mph	8 mph	10 mph	12 mph	14 mph	16 mph	18 mph
AIR901SEVS GREEN	30	0.13	17	8.4	4.3	3.2	2.6	2.1	1.8	1.6	1.4
	40	0.15	19	7.4	5.0	3.7	3.0	2.5	2.1	1.9	1.7
	50	0.17	22	8.4	5.6	4.2	3.4	2.8	2.4	2.1	1.9
	60	0.18	23	8.9	5.9	4.5	3.6	3.0	2.5	2.2	2.0
	70	0.20	26	9.9	6.6	5.0	4.0	3.3	2.8	2.5	2.2
	80	0.21	27	10.4	6.9	5.2	4.2	3.5	3.0	2.6	2.3
	90	0.23	29	11.4	7.6	5.7	4.6	3.8	3.3	2.8	2.5
100	0.24	31	11.9	7.9	5.9	4.8	4.0	3.4	3.0	2.6	
AIR902SEVS YELLOW	30	0.17	22	8.4	5.6	4.2	3.4	2.8	2.4	2.1	1.9
	40	0.20	26	9.9	6.6	5.0	4.0	3.3	2.8	2.5	2.2
	50	0.22	28	10.9	7.3	5.4	4.4	3.6	3.1	2.7	2.4
	60	0.24	31	11.9	7.9	5.9	4.8	4.0	3.4	3.0	2.6
	70	0.26	33	12.9	8.6	6.4	5.1	4.3	3.7	3.2	2.9
	80	0.28	36	13.9	9.2	6.9	5.5	4.6	4.0	3.5	3.1
	90	0.30	38	14.9	9.9	7.4	5.9	5.0	4.2	3.7	3.3
100	0.32	41	15.8	10.6	7.9	6.3	5.3	4.5	4.0	3.5	
AIR902SEVS TEAL	30	0.22	28	10.9	7.3	5.4	4.4	3.6	3.1	2.7	2.4
	40	0.25	32	12.4	8.3	6.2	5.0	4.1	3.5	3.1	2.8
	50	0.28	36	13.9	9.2	6.9	5.5	4.6	4.0	3.5	3.1
	60	0.31	40	15.3	10.2	7.7	6.1	5.1	4.4	3.8	3.4
	70	0.33	42	16.3	10.9	8.2	6.5	5.4	4.7	4.1	3.6
	80	0.35	45	17.3	11.6	8.7	6.9	5.8	5.0	4.3	3.9
	90	0.38	49	18.8	12.5	9.4	7.5	6.3	5.4	4.7	4.2
100	0.40	51	19.8	13.2	9.9	7.9	6.6	5.7	5.0	4.4	
AIR903SEVS BLUE	30	0.26	33	12.9	8.6	6.4	5.1	4.3	3.7	3.2	2.9
	40	0.30	38	14.9	9.9	7.4	5.9	5	4.2	3.7	3.3
	50	0.34	44	16.8	11.2	8.4	6.7	5.6	4.8	4.2	3.7
	60	0.37	47	18.3	12.2	9.2	7.3	6.1	5.2	4.6	4.1
	70	0.40	51	19.8	13.2	9.9	7.9	6.6	5.7	5.0	4.4
	80	0.42	54	21	13.9	10.4	8.3	6.9	5.9	5.2	4.6
	90	0.45	58	22	14.9	11.1	8.9	7.4	6.4	5.6	5.0
100	0.47	60	23	15.5	11.6	9.3	7.8	6.6	5.8	5.2	
AIR904SEVS RED	30	0.35	45	17.3	11.6	8.7	6.9	5.8	5.0	4.3	3.9
	40	0.40	51	19.8	13.2	9.9	7.9	6.6	5.7	5.0	4.4
	50	0.45	58	22	14.9	11.1	8.9	7.4	6.4	5.6	5.0
	60	0.49	63	24	16.2	12.1	9.7	8.1	6.9	6.1	5.4
	70	0.53	68	26	17.5	13.1	10.5	8.7	7.5	6.6	5.8
	80	0.57	73	28	18.8	14.1	11.3	9.4	8.1	7.1	6.3
	90	0.60	77	30	19.8	14.9	11.9	9.9	8.5	7.4	6.6
100	0.63	81	31	21	15.6	12.5	10.4	8.9	7.8	6.9	
AIR904SEVS BROWN	30	0.43	55	21	14.2	10.8	8.5	7.1	6.1	5.3	4.7
	40	0.50	64	25	16.5	12.4	9.9	8.3	7.1	6.2	5.5
	50	0.56	72	28	18.5	13.9	11.1	9.2	7.9	6.9	6.2
	60	0.61	78	30	20	15.1	12.1	10.1	8.6	7.5	6.7
	70	0.66	84	33	22	16.3	13.1	10.9	9.3	8.2	7.3
	80	0.71	91	35	23	17.6	14.1	11.7	10.0	8.8	7.8
	90	0.75	96	37	25	18.6	14.9	12.4	10.6	9.3	8.3
100	0.79	101	39	26	19.6	15.6	13.0	11.2	9.8	8.7	

# TWINJET EVEN FLAT SPRAY TIP



**\*\*Always verify tips or orifices you received are the size which you require before using with chemical  
Chemical rates need to be obtained from your chemical dealer.\*\***

## TWINJET EVEN FLAT \$24.31 S

### FEATURES:

IDEAL FOR BANDING OVER OR BETWEEN CROP ROWS.  
PROVIDES UNIFORM DISTRIBUTION THROUGHOUT THE SPRAY PATTERN.  
AVAILABLE IN 80 AND 40 DEGREE TWIN FLAT SPRAY PATTERN.



	SPRAY HEIGHT BY		GPA
BAND	NOZZLE DEGREE		CONVERSION
WIDTH	40°	80°	30"
8"	11"	5"	3.8
10"	14"	6"	3.0
12"	16"	7"	2.5
15"	21"	9"	2.0

### 40 AND 80 DEGREE E SERIES

TwinJet even tips combine the advantages of twin flat spray patterns with even distribution across the pattern. The twin flat sprays provide improved coverage of crop or weed without sacrificing uniformity. The small droplet size makes this tip ideal for providing a through, penetrating coverage with post-emergence contact herbicides.

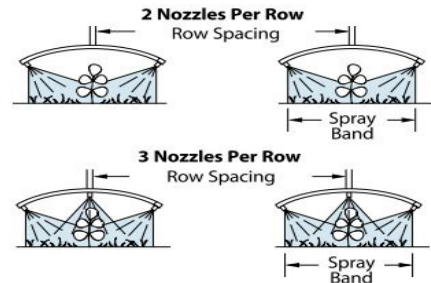
TO FIND GPA RATE ON BAND WIDTHS, MULTIPLY THE TABULATED GPA FOR ROW SPACING BY CONVERSION FACTORS.

	PSI	1	1	GPA FOR 30" SPACING					
		NOZZLE GPM	NOZZLE OZ/ MIN.	3	4	5	6	7	8
				mph	mph	mph	mph	mph	mph
TJ60-4002EVS TJ60-8002EVS	20	0.1	18	9.2	6.9	5.5	4.6	4.0	3.5
	30	0.2	22	11.2	8.4	6.7	5.6	4.8	4.2
	40	0.2	26	13.2	9.9	7.9	6.6	5.7	5.0
	50	0.2	28	14.5	10.9	8.7	7.3	6.2	5.4
TJ60-4003EVS TJ60-8003EVS	20	0.2	27	13.9	10.4	8.3	6.9	5.9	5.2
	30	0.3	33	17.2	12.9	10.3	8.6	7.4	6.4
	40	0.3	38	19.8	14.9	11.9	9.9	8.5	7.4
	50	0.3	44	22	16.8	13.5	11.2	9.6	8.4
TJ60-4004EVS TJ60-8004EVS	20	0.3	36	18.5	13.9	11.1	9.2	7.9	6.9
	30	0.4	45	23	17.3	13.9	11.6	9.9	8.7
	40	0.4	51	26	19.8	15.8	13.2	11.3	9.9
	50	0.5	58	30	22	17.8	14.9	12.7	11.1
TJ60-8006EVS	20	0.4	54	28	21	16.6	13.9	11.9	10.4
	30	0.5	67	34	26	21	17.2	14.7	12.9
	40	0.6	77	40	30	24	19.8	17.0	14.9
	50	0.7	86	44	33	27	22	19.0	16.6

# CONEJET VISIFLO HOLLOW CONE SPRAY TIP

**\*\*Always verify tips or orifices you received are the size which you require before using with chemical.  
Chemical rates need to be obtained from your chemical dealer.\*\***

MATERIAL		
CODE	DESCRIPTION	PRICE
TX-VSX	VISIFLO SS	9.47 S
TX-X	BRASS	8.47 S
TX-SSX	STAINLESS	53.01 S
TX-VKX	CERAMIC	8.57 S



BAND WIDTH	GPA CONVERSION
8"	3.8
10"	3.0
12"	2.5
15"	2.0
18"	1.7

**FEATURES:**

VISIFLO SS OR CERAMIC ORIFICE IN POLY BODY.  
SPRAY ANGLE 80 DEGREE.  
MAX PRESSURE 300PSI.  
IDEAL ROW BANDING WITH 2 OR 3 NOZZLES.

TO FIND GPA RATE ON BAND WIDTHS, MULTIPLY THE TABULATED GPA FOR ROW SPACING BY CONVERSION FACTORS.

	PSI	2		3					PSI	3		4				
		NOZZLE GPM	NOZZLE OZ/MIN.	3	4	5	6	7		NOZZLE GPM	NOZZLE OZ/MIN.	3	4	5	6	7
				mph	mph	mph	mph	mph			mph	mph	mph	mph	mph	
TX-551	40	0.033	4.2	2.2	1.6	1.3	1.1	0.95	40	0.050	6.4	3.3	2.5	2.0	1.7	1.4
	60	0.039	5.0	2.6	1.9	1.5	1.3	1.1	60	0.059	7.6	3.9	2.9	2.3	1.9	1.7
	75	0.043	5.5	2.8	2.1	1.7	1.4	1.2	75	0.065	8.3	4.3	3.2	2.6	2.1	1.8
	90	0.047	6.0	3.1	2.3	1.9	1.6	1.3	90	0.070	9.0	4.6	3.5	2.8	2.3	2.0
TX-552	40	0.067	8.6	4.4	3.3	2.7	2.2	1.9	40	0.100	13	6.6	5.0	4.0	3.3	2.8
	60	0.080	10	5.3	4.0	3.2	2.6	2.3	60	0.12	15	7.9	5.9	4.8	4.0	3.4
	75	0.088	11	5.8	4.4	3.5	2.9	2.5	75	0.13	17	8.6	6.4	5.1	4.3	3.7
	90	0.095	12	6.3	4.7	3.8	3.1	2.7	90	0.14	18	9.2	6.9	5.5	4.6	4.0
TX-553	40	0.10	13	6.8	5.0	4.0	3.3	2.8	40	0.15	19	9.9	7.4	5.9	5.0	4.2
	60	0.12	15	7.9	5.9	4.8	4.0	3.4	60	0.18	23	11.9	8.9	7.1	5.9	5.1
	75	0.13	17	8.6	6.4	5.1	4.3	3.7	75	0.20	26	13.2	9.9	7.9	6.6	5.7
	90	0.14	18	9.2	6.9	5.5	4.6	4.0	90	0.21	27	13.9	10.4	8.3	6.9	5.9
TX-554	40	0.16	20	10.6	7.9	6.3	5.3	4.5	120	0.24	31	15.8	11.9	9.5	7.9	6.8
	60	0.17	17	8.6	6.4	5.1	4.3	3.7	40	0.20	26	13.2	9.9	7.9	6.6	5.7
	75	0.18	23	11.9	8.9	7.1	5.9	5.1	75	0.27	35	17.8	13.4	10.7	8.9	7.6
	90	0.19	24	12.5	9.4	7.5	6.3	5.4	90	0.29	37	19.1	14.4	11.5	9.6	8.2
TX-555	40	0.22	28	14.5	10.9	8.7	7.3	6.2	120	0.33	42	22	16.3	13.1	10.9	9.3
	60	0.24	31	15.8	11.9	9.5	7.9	6.8	40	0.30	38	19.8	14.9	11.9	9.9	8.5
	75	0.27	35	17.8	13.4	10.7	8.9	7.6	60	0.36	46	24	17.8	14.3	11.9	10.2
	90	0.29	37	19.1	14.4	11.5	9.6	8.2	90	0.43	55	28	21	17.0	14.2	12.1
TX-556	40	0.33	42	22	16.3	13.1	10.9	9.3	120	0.50	64	33	25	19.8	16.5	14.1
	60	0.36	46	24	17.8	14.3	11.9	10.2	75	0.54	69	36	27	21	17.8	15.3
	90	0.39	50	26	19.3	15.4	12.9	11.0	90	0.59	76	39	29	23	19.5	16.7
	120	0.45	58	30	22	17.8	14.9	12.7	120	0.68	87	45	34	27	22	19.2
TX-558	40	0.40	51	28	19.8	15.8	13.2	11.3	40	0.60	78	40	30	24	20	17.3
	60	0.45	58	30	22	17.8	14.9	12.7	75	0.68	87	45	34	27	22	19.2
	90	0.49	63	32	24	19.4	16.2	13.9	90	0.74	95	49	37	29	24	21
	120	0.56	72	37	28	22	18.5	15.8	120	0.85	109	56	42	34	28	24
TX-5512	40	0.40	51	28	19.8	15.8	13.2	11.3	40	0.60	77	40	30	24	19.8	17.0
	60	0.49	63	32	24	19.4	16.2	13.9	60	0.73	93	48	36	29	24	21
	75	0.54	69	36	27	21	17.8	15.3	75	0.81	104	53	40	32	27	23
	90	0.59	76	39	29	23	19.5	16.7	90	0.88	113	58	44	35	29	25
TX-5518	40	0.68	87	45	34	27	22	19.2	120	1.00	129	67	50	40	33	29
	60	0.80	97	48	36	29	24	21	40	0.90	115	59	45	36	30	25
	75	0.82	105	54	41	32	27	23	75	1.23	157	80	60	49	41	35
	90	0.90	115	59	45	36	30	25	90	1.35	173	89	67	53	45	38
TX-5526	40	1.03	132	68	51	41	34	29	120	1.55	198	102	77	61	51	44
	60	1.11	141	73	54	43	36	31	40	1.30	166	85	64	51	43	37
	75	1.18	151	78	58	47	39	33	60	1.59	204	105	79	63	52	45
	90	1.30	166	86	64	51	43	37	75	1.78	228	117	88	70	59	50
TX-5526	40	1.49	191	98	74	59	49	42	90	1.94	248	128	96	77	64	55
	60	1.66	211	108	81	64	53	45	120	2.24	287	148	111	89	74	63

# FULL CONE & UNDERLEAF BANDING SPRAY TIP



TG-1 THRU TG-8  
\$13.05 S

3 NOZZLES PER ROW



Three Nozzles  
Per Row Spacing

PROVIDES COARSE SPRAY WITH FULL CONE PATTERN. USED FREQUENTLY FOR TOBACCO PLANT SUCKER CONTROL.

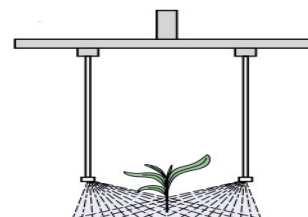
	PSI	GPM	1 NOZZLE OZ./MIN.	GPA 48" SPACING (THREE NOZZLES PER ROW)			
				2 mph	3 mph	4 mph	5 mph
TG-1	20	0.14	18	26	17.3	13.0	10.4
	30	0.16	20	30	19.8	14.9	11.9
	40	0.19	24	33	24	17.6	14.1
	60	0.23	29	43	28	21	17.1
TG-2	20	0.28	36	52	35	26	21
	30	0.33	42	61	41	31	25
	40	0.38	49	71	47	35	28
	60	0.46	59	85	57	43	34
TG-3	20	0.41	52	76	51	38	30
	30	0.50	64	93	62	46	37
	40	0.57	73	106	71	53	42
	60	0.68	87	126	84	63	50
TG-4	20	0.55	70	102	68	51	41
	30	0.66	84	125	82	61	49
	40	0.76	97	141	94	71	56
	60	0.91	116	169	113	84	68
TG-5	20	0.69	88	128	87	64	51
	30	0.84	108	156	104	78	62
	40	1.00	128	186	124	93	74
	60	1.16	148	215	144	108	86
TG-6	20	0.82	105	152	101	76	61
	30	0.99	127	184	123	92	74
	40	1.14	146	212	141	106	85
	60	1.37	175	254	170	127	102
TG-8	20	1.10	141	204	136	102	82
	30	1.33	170	247	165	123	99
	40	1.51	193	280	187	140	112
	60	1.82	255	358	225	169	135

## UB-UNDERLEAF BANDING SPRAY TIPS

UB-UNDERLEAF TIPS	PRICE
STAINLESS	40.52 S
BRASS	21.30 S



2 NOZZLES PER ROW



OFF CENTER TIP WITH TAPERED FLAT SPRAY CHARACTERISTICS. 85 DEGREE SPRAY ANGLE. IN BRASS OR STAINLESS. OPERATING PRESSURE IS 20 TO 60 PSI.

DIRECTED APPLICATION UNDER CROP CANOPY. NOZZLE SPACING 10"-2 TIPS PER ROW. ADJUST TIP HEIGHT AND NOZZLE ORIENTATION TO ACHIEVE DESIRED BAND WIDTH.

	PSI	2 NOZZLES		2 NOZZLES						
		GPM	OZ./MIN.	2 mph	3 mph	4 mph	5 mph	6 mph	7 mph	
D25143-UB 850075	20	0.11	14	10.9	7.3	5.4	4.4	3.6	3.1	
	30	0.13	17	12.9	8.6	6.4	5.1	4.3	3.7	
	40	0.15	19	14.9	9.9	7.4	5.9	5.0	4.2	
	60	0.17	22	16.9	11.2	8.4	6.7	5.6	4.8	
D25143-UB 8501	20	0.14	18	13.9	9.2	6.9	5.5	4.6	4	
	30	0.17	22	16.8	11.2	8.4	6.7	5.6	4.8	
	40	0.20	26	19.8	13.2	9.9	7.9	6.6	5.7	
	60	0.22	28	22	14.5	10.9	8.7	7.3	6.2	
D25143-UB 85015	20	0.21	27	21	13.9	10.4	8.3	6.9	5.9	
	30	0.26	33	26	17.2	12.9	10.3	8.6	7.4	
	40	0.30	38	30	19.8	14.9	11.9	9.9	8.5	
	60	0.34	44	34	22	16.8	13.5	11.2	9.6	
D25143-UB 8502	20	0.28	36	28	18.5	13.9	11.1	9.2	7.9	
	30	0.35	45	35	23	17.3	13.9	11.6	9.9	
	40	0.40	51	40	26	19.8	15.8	13.2	11.3	
	60	0.45	58	45	30	22	17.8	14.9	12.7	
D25143-UB 8503	20	0.42	54	42	28	21	16.6	13.9	11.9	
	30	0.52	67	51	34	26	21	17.2	14.7	
	40	0.60	77	59	40	30	24	19.8	17.0	
	60	0.67	86	66	44	33	27	22	19.0	
D25143-UB 8504	20	0.57	73	56	38	28	23	18.8	16.1	
	30	0.69	88	68	46	34	27	23	19.5	
	40	0.80	102	79	53	40	32	26	23	
	60	0.89	114	88	59	46	35	29	25	
	20	0.98	125	97	62	49	39	32	28	



# FLOW REGULATORS

**\*\*Always verify tips or orifices you received are the size which you require before using with chemical.  
Chemical rates need to be obtained from your chemical dealer.\*\***

FLOW REGULATORS ARE USUALLY MOUNTED BEHIND CULTIVATOR SHANKS FOR THE SUBSURFACE APPLICATION OF LIQUID FERTILIZERS AND SOIL FUMIGANTS. THEY ARE ALSO USED FOR ABOVE-GROUND STREAMING APPLICATIONS.



NOTE: Always insert Orifice Plate with side marked with number facing the outlet.

## ORIFICE PLATES - CP4916-8 THRU CP4916-250 \$4.53 S

TO DETERMINE THE ORIFICE PLATE NEEDED USE THE FOLLOWING EQUATION:

- W = Nozzle spacing (in inches) for broadcast spraying.
- = Spray width (in inches) for single nozzle, band spraying or boomless spraying.
- = Row spacing (in inches) divided by the number of nozzles per row for directed spraying.

ORIFICE PLATE	GPM			
	5 PSI	10 PSI	20 PSI	30 PSI
CP4916-8	0.003	0.004	0.006	0.007
CP4916-10	0.005	0.006	0.009	0.011
CP4916-12	0.007	0.009	0.013	0.016
CP4916-14	0.009	0.013	0.018	0.022
CP4916-15	0.010	0.014	0.020	0.025
CP4916-16	0.012	0.016	0.023	0.028
CP4619-18	0.015	0.021	0.030	0.036
CP4916-20	0.018	0.026	0.037	0.045
CP4916-22	0.022	0.031	0.043	0.053
CP4916-24	0.026	0.037	0.052	0.064
CP4916-25	0.028	0.040	0.056	0.068
CP4916-26	0.030	0.043	0.060	0.074
CP4916-27	0.032	0.045	0.064	0.078
CP4916-28	0.035	0.049	0.069	0.085
CP4916-29	0.038	0.054	0.076	0.093
CP4916-30	0.040	0.057	0.081	0.099
CP4916-31	0.043	0.061	0.087	0.106
CP4916-32	0.048	0.067	0.095	0.116
CP4916-34	0.052	0.074	0.104	0.127
CP4916-35	0.056	0.079	0.111	0.136
CP4916-37	0.061	0.086	0.121	0.149
CP4916-39	0.067	0.095	0.135	0.165
CP4916-40	0.072	0.102	0.144	0.177
CP4916-41	0.074	0.105	0.149	0.182
CP4916-43	0.081	0.115	0.163	0.200
CP4916-45	0.088	0.125	0.176	0.216
CP4916-46	0.095	0.135	0.191	0.233

ORIFICE PLATE	GPM			
	5 PSI	10 PSI	20 PSI	30PSI
CP4916-47	0.097	0.137	0.194	0.238
CP4916-48	0.101	0.143	0.202	0.247
CP4916-49	0.104	0.147	0.208	0.026
CP4916-51	0.116	0.164	0.232	0.284
CP4916-52	0.118	0.167	0.237	0.290
CP4916-54	0.127	0.180	0.255	0.312
CP4916-55	0.133	0.188	0.266	0.326
CP4916-57	0.141	0.200	0.283	0.346
CP4916-59	0.152	0.215	0.304	0.372
CP4916-61	0.166	0.233	0.330	0.404
CP4916-63	0.174	0.246	0.347	0.425
CP4916-65	0.185	0.261	0.369	0.452
CP4916-67	0.196	0.278	0.392	0.481
CP4916-68	0.203	0.287	0.405	0.496
CP4916-70	0.216	0.306	0.433	0.530
CP4916-72	0.226	0.320	0.453	0.554
CP4916-73	0.233	0.330	0.467	0.572
CP4916-75	0.245	0.347	0.491	0.601
CP4916-78	0.272	0.385	0.544	0.667
CP4916-80	0.280	0.397	0.561	0.687
CP4916-81	0.290	0.411	0.581	0.711
CP4916-83	0.317	0.449	0.634	0.777
CP4916-86	0.332	0.470	0.664	0.813
CP4916-89	0.346	0.490	0.693	0.849
CP4916-91	0.369	0.523	0.739	0.905
CP4916-93	0.387	0.547	0.774	0.947
CP4916-95	0.404	0.572	0.808	0.990

ORIFICE PLATE	GPM			
	5 PSI	10 PSI	20 PSI	30 PSI
CP4916-98	0.442	0.625	0.884	1.08
CP4916-103	0.461	0.653	0.923	1.13
CP4916-107	0.518	0.733	1.04	1.27
CP4916-110	0.548	0.775	1.10	1.34
CP4916-115	0.605	0.855	1.21	1.48
CP4916-120	0.629	0.890	1.26	1.54
CP4916-125	0.693	0.980	1.39	1.70
CP4916-128	0.721	1.02	1.44	1.77
CP4916-132	0.774	1.10	1.55	1.90
CP4916-136	0.840	1.19	1.68	2.06
CP4916-140	0.894	1.27	1.79	2.19
CP4916-144	0.926	1.31	1.85	2.27
CP4916-147	0.953	1.35	1.91	2.33
CP4916-151	1.04	1.47	2.08	2.55
CP4916-156	1.10	1.55	2.20	2.69
CP4916-161	1.15	1.63	2.31	2.83
CP4916-166	1.21	1.72	2.43	2.97
CP4916-170	1.30	1.84	2.61	3.19
CP4916-172	1.36	1.92	2.71	3.32
CP4916-177	1.41	2.00	2.83	3.46
CP4916-182	1.47	2.08	2.95	3.61
CP4916-187	1.56	2.21	3.12	3.82
CP4916-196	1.73	2.45	3.46	4.24
CP4916-205	1.88	2.65	3.75	4.59
CP4916-218	2.11	2.98	4.21	5.16
CP4916-234	2.45	3.47	4.91	6.01
CP4916-250	2.83	4.00	5.66	6.93

# QUICK TEEJET NOZZLE BODIES FOR DRY BOOM



## QJ360 NOZZLE BODY SERIES

- AVAILABLE WITH EITHER 3, 4 OR 5 POSITIONS FOR EASY CHANGE OF SPRAY TIPS OR QUICK BOOM FLUSHING.
- MAXIMUM OPERATING PRESSURE FOR 300PSI (20 BARS).
- POSITIVE SHUTOFF BETWEEN EACH SPRAY POSITION.
- AVAILABLE IN 1/2", 3/4" OR 1" SINGLE OR DOUBLE HOSE SHANKS.
- INCLUDES CHEMSAVER DIAPHRAGM CHECK VALVE FOR DRIP FREE SHUTOFF.
- DURABLE DESIGN MOUNTS BODY HIGH ON BOOM STRUCTURE FOR MAXIMUM PROTECTION.
- STANDARD EPDM DIAPHRAGM WITH VITON AVAILABLE AS AN OPTION.



**QJ363C**

PART#		NUMBER OF OUTLETS	TO FIT HOSE ID	PRICE
SINGLE	DOUBLE			
QJ363C-500-1-NYB	QJ363C-500-2-NYB	3	1/2"	27.97 S
QJ363C-750-1-NYB	QJ363C-750-2-NYB	3	3/4"	27.97 S
QJ363C-1000-1-NYB	QJ363C-1000-2-NYB	3	1"	27.97 S



**QJ364C**

PART#		NUMBER OF OUTLETS	TO FIT HOSE ID	PRICE
SINGLE	DOUBLE			
QJ364C-500-1-NYB	QJ364C-500-2-NYB	4	1/2"	27.97 S
QJ364C-750-1-NYB	QJ364C-750-2-NYB	4	3/4"	27.97 S
QJ364C-1000-1-NYB	QJ364C-1000-2-NYB	4	1"	27.97 S



**QJ365C**

PART#		NUMBER OF OUTLETS	TO FIT HOSE ID	PRICE
SINGLE	DOUBLE			
QJ365C-500-1-NYB	QJ365C-500-2-NYB	5	1/2"	27.97 S
QJ365C-750-1-NYB	QJ365C-750-2-NYB	5	3/4"	27.97 S
QJ365C-1000-1-NYB	QJ365C-1000-2-NYB	5	1"	27.97 S

## TRIPLE NOZZLE BODY FOR DRY BOOM



- \* PROVIDES 3 POSITIONS FOR EASY CHANGE OF SPRAY TIPS OR QUICK BOOM FLUSHING.
- \* MAXIMUM OPERATING PRESSURE OF 125PSI (9 BAR).
- \* POSITIVE SHUTOFF BETWEEN EACH SPRAY POSITION.
- \* AVAILABLE IN 1/2" & 3/4" SINGLE OR DOUBLE HOSE SHANKS.
- \* INCLUDES CHEMSAVER DIAPHRAGM CHECK VALVE FOR DRIP FREE SHUTOFF.
- \* CAN BE USED WITH ALL QUICK TEEJET CAPS.
- \* STANDARD EPDM DIAPHRAGM WITH VITON AVAILABLE AS AN OPTION.

PART#		TO FIT HOSE ID	PRICE
SINGLE	DOUBLE		
24230A-1-540-NYB	24230A-2-540-NYB	1/2"	30.78 S
24230A-1-785-NYB	24230A-2-785-NYB	3/4"	30.78 S

# QUICK TEEJET NOZZLE BODIES FOR DRY BOOM



**QJ100 SERIES**  
QUICK TEEJET NOZZLE ASSEMBLIES

Hose barb size to fit 3/8", 1/2" & 3/4" hose.  
Available in single, double & triple hose shanks.  
Maximum operating pressure 125psi (9 bar).

PART# SINGLE	HOSE ID	PRICE
18635-111-406-NYB	3/8"	5.81 S
18638-111-540-NYB	1/2"	5.81 S
18719-111-785-NYB	3/4"	5.81 S

PART# DOUBLE	HOSE ID	PRICE
18636-112-406-NYB	3/8"	5.81 S
18639-112-540-NYB	1/2"	5.81 S
18720-112-785-NYB	3/4"	5.81 S

PART# TRIPLE	HOSE ID	PRICE
18637-113-406-NYB	3/8"	5.81 S
18640-113-540-NYB	1/2"	5.81 S
18721-113-785-NYB	3/4"	5.81 S



**QJ200 SERIES**  
DIAPHRAGM CHECK VALVE  
QUICK TEEJET NOZZLE ASSEMBLIES

Drip-free shutoff. Opening pressure 10psi.  
Standard diaphragm EPDM, Viton available.  
Maximum operating pressure 125psi (9 bar).  
Hose barb sizes to fit 3/8", 1/2" & 3/4" hose.  
Available in single, double & triple hose shanks.

PART# SINGLE	HOSE ID	PRICE
19349-211-406-NYB	3/8"	14.33 S
19349-211-540-NYB	1/2"	14.33 S
19349-211-785-NYB	3/4"	14.33 S

PART# DOUBLE	HOSE ID	PRICE
19350-212-406-NYB	3/8"	14.33 S
19350-212-540-NYB	1/2"	14.33 S
19350-212-785-NYB	3/4"	14.33 S

PART# TRIPLE	HOSE ID	PRICE
19351-213-406-NYB	3/8"	14.33 S
19351-213-540-NYB	1/2"	14.33 S
19351-213-785-NYB	3/4"	14.33 S



**QJ300 SERIES**  
DIAPHRAGM CHECK VALVE  
QUICK TEEJET NOZZLE ASSEMBLIES

Low profile design allows maximum protection against damage.  
Available in single and double hose shanks.  
Hose barb sizes to fit 3/8", 1/2" & 3/4" hose.  
Drip-free shutoff. Opening pressure 10psi.  
Standard diaphragm EPDM, Viton available.  
Maximum operating pressure 300psi (20 bar).

PART# SINGLE	HOSE ID	PRICE
22251-311-375-NYB	3/8"	11.85 S
22251-311-500-NYB	1/2"	11.85 S
22251-311-750-NYB	3/4"	11.85 S

PART# DOUBLE	HOSE ID	PRICE
22252-312-375-NYB	3/8"	11.85 S
22252-312-500-NYB	1/2"	11.85 S
22252-312-750-NYB	3/4"	11.85 S

## QJ39685 SERIES QUICK TEEJET NOZZLE BODIES

**FEATURES:**

- USE WITH QUICK TEEJET CAPS
- HOSE SHANKS AVAILABLE IN SINGLE (LEFT OR RIGHT) & DOUBLE FOR 1/2" HOSE ID.
- DRIP-FREE SHUTOFF.
- MAXIMUM OPERATING PRESSURE 300psi.

PART#	DESCRIPTION	PRICE
QJ39685-1L-500-NYB	SINGLE LEFT	9.72 S
QJ39685-1R-500-NYB	SINGLE RIGHT	9.72 S
QJ39685 2-500-NYB	DOUBLE	9.72 S



# QUICK TEEJET NOZZLE BODIES FOR WET BOOMS



## QJ360 NOZZLE BODY SERIES

- AVAILABLE WITH EITHER 3, 4 OR 5 POSITIONS FOR EASY CHANGE OF SPRAY TIPS OR QUICK BOOM FLUSHING.
- MAXIMUM OPERATING PRESSURE OF 300PSI (20 BAR).
- POSITIVE SHUTOFF BETWEEN EACH SPRAY POSITION.
- AVAILABLE IN 1/2", 3/4" OR 1" PIPE CONNECTIONS.
- INCLUDES CHEMSAVER DIAPHRAGM CHECK VALVE FOR DRIP FREE SHUTOFF.
- STANDARD EPDM DIAPHRAGM WITH VITON AVAILABLE AS AN OPTION.

**QJ363C**



PART NUMBER	NUMBER OF OUTLETS	CLAMPS ON PIPE SIZE	PRICE
QJ363C-1/2-NYB	3	1/2"	22.40 S
QJ363C-3/4-NYB	3	3/4"	22.40 S
QJ363C-1-NYB	3	1"	22.40 S

**QJ364C**



PART NUMBER	NUMBER OF OUTLETS	CLAMPS ON PIPE SIZE	PRICE
QJ364C-1/2-NYB	4	1/2"	22.40 S
QJ364C-3/4-NYB	4	3/4"	22.40 S
QJ364C-1-NYB	4	1"	22.40 S

**QJ365C**



PART NUMBER	NUMBER OF OUTLETS	CLAMPS ON PIPE SIZE	PRICE
QJ365C-1/2-NYB	5	1/2"	22.40 S
QJ365C-3/4-NYB	5	3/4"	22.40 S
QJ365C-1-NYB	5	1"	22.40 S

### RAPID STOP

- \* New feature for QJ360C & QJ17560A
- \* Evacuates air trapped in booms
- \* Reduces boom shut-off times
- \* Does NOT require boom redesign

PART#	DESCRIPTION	PRICE
CP98583-3-1-SS	QJ360C	12.47 S
CP98583-2-1-SS	QJ17560A	12.47 S

## TYPE 24216 TRIPLE NOZZLE BODY

- PROVIDES 3 POSITIONS FOR EASY CHANGE OF SPRAY TIPS OR QUICK BOOM FLUSHING.
- MAXIMUM OPERATING PRESSURE OF 125PSI (9 BAR).
- POSITIVE SHUTOFF BETWEEN EACH SPRAY POSITION.
- AVAILABLE IN 1/2", 3/4" & 1" PIPE CONNECTIONS.
- INCLUDES CHEMSAVER DIAPHRAGM CHECK VALVE FOR DRIP-FREE SHUTOFF.
- CAN BE USED WITH ALL QUICK TEEJET CAPS.
- STANDARD EPDM DIAPHRAGM WITH VITON AVAILABLE AS AN OPTION.



**24216**

PART NUMBER	NUMBER OF OUTLETS	CLAMPS ON PIPE SIZE	PRICE
24216A-1/2-NYB	3	1/2"	29.98 S
24216A-3/4-NYB	3	3/4"	29.98 S
24216A-1-NYB	3	1"	29.98 S

## QJ380 & QJ380F WET BOOM BODIES



### QJ380 & QJ380F

Standard & Fertilizer (F) styles  
 Triple outlet turrets  
 3/4" and 1" wet boom sizes (wet only)  
 Max operating pressure 150psi (10 bar)  
**Applications:**  
 High speed self-propelled machines  
 High flow rate liquid fertilizer applications



PART#	NUMBER OF OUTLETS	CLAMPS ON PIPE SIZE	PRICE
QJ383-3/4-NYB	3	3/4"	44.30 S
QJ383-1-NYB	3	1"	44.30 S

PART#	NUMBER OF OUTLETS	CLAMPS ON PIPE SIZE	PRICE
QJ383F-3/4-NYB	3/F	3/4"	48.36 S
QJ383F-1-NYB	3/F	1"	48.36 S

### RAPID STOP

- \* New feature for QJ360C & QJ17560A
- \* Evacuates air trapped in booms
- \* Reduces boom shut-off times
- \* Improves start up times
- \* Does **NOT** require boom redesign
- \* Install 1 or 2 Rapid Stops per boom section



PART#	DESCRIPTION	PRICE
CP98583-3-1-SS	QJ360C	12.27 S
CP98583-2-1-SS	QJ17560A	12.27 S

### RETROFIT SEAL

Retrofit gasket for large hole booms  
 - Replace JD factory supplied bodies  
 - Fits existing booms with 11/16" holes  
 Molded VITON material



PART# CP98488-VI \$9.47 S

## POLYPROPYLENE SCHEDULE 80 PIPE

POLYPROPYLENE PIPE		
PART#	DESCRIPTION	PRICE
075-8-00P	3/4" no spacing	5.08 NET
075-8-20P	3/4" w/20" spacing, 3/8" holes	5.08 NET
100-8-00P	1" no spacing	6.37 NET
100-8-20P	1" w/20" spacing, 3/8" holes	6.37 NET



# QUICK TEEJET NOZZLE BODIES & ACCESSORIES



## TYPE QJ17560-NYB

	CLAMPS TO	
PART NUMBER	PIPE SIZE	PRICE
QJ17560A-1/2-NYB	1/2"	6.29 S
QJ17560A-3/4-NYB	3/4"	6.29 S
QJ17560A-1-NYB	1"	6.29 S

- CAN BE MOUNTED TO 1/2", 3/4" & 1" PIPE OR EQUIVALENT SIZE TUBING.
- 1/2" & 3/4" INCLUDE A MOUNTING HOLE IN CLAMP SUBASSEMBLY FOR MOUNTING TO FLAT SURFACE.
- ALLOWS SIDE MOUNTING TO FLAT SURFACE FOR PROTECTION OF NOZZLE BODY.
- FEATURES CHEMSAVER DRIP-FREE SHUTOFF.
- STANDARD EPDM DIAPHRAGM WITH OPTIONAL VITON AVAILABLE.
- MAXIMUM OPERATING PRESSURE OF 300psi (20 BAR).



## TYPE QJ7421-NYB

	CLAMPS TO	
PART NUMBER	PIPE SIZE	PRICE
QJ7421-1/2-NYB	1/2"	5.83 S
QJ7421-3/4-NYB	3/4"	5.83 S
QJ7421-1-NYB	1"	5.83 S

- CAN BE MOUNTED TO 1/2", 3/4" & 1" PIPE OR EQUIVALENT SIZE TUBING.
- 1/2" & 3/4" INCLUDE A MOUNTING HOLE IN CLAMP SUBASSEMBLY FOR MOUNTING TO FLAT SURFACE.
- MAXIMUM OPERATING PRESSURE OF 300psi (20 BAR).



## TYPE QJ22187-NYB

	CLAMPS TO	
PART NUMBER	PIPE SIZE	PRICE
QJ22187-1/2-NYB	1/2"	14.65 S
QJ22187-3/4-NYB	3/4"	14.65 S
QJ22187-1-NYB	1"	14.65 S

- CAN BE MOUNTED TO 1/2", 3/4" & 1" PIPE OR EQUIVALENT SIZE TUBING.
- 1/2" & 3/4" INCLUDE A MOUNTING HOLE IN CLAMP SUBASSEMBLY FOR MOUNTING TO FLAT SURFACE.
- ALLOWS SIDE MOUNTING TO FLAT SURFACE FOR PROTECTION OF NOZZLE BODY.
- FEATURES CHEMSAVER DRIP-FREE SHUTOFF.
- STANDARD EPDM DIAPHRAGM WITH OPTIONAL VITON AVAILABLE.
- MAXIMUM OPERATING PRESSURE OF 300psi (20 BAR).

## QJ8360-NYB, 300psi

ALLOWS HOOK-UP TO 1/4" FPT



PART#	TO FIT	PRICE
QJ8360-NYB	1/4" NPT	7.24 S

## QJ8355-NYB, 300psi

ALLOWS SIDE MOUNT



PART#	TO FIT	PRICE
QJ8355-1/4-NYB	1/4" NPT	14.52 S
QJ8355-1/8-NYB	1/8" NPT	14.52 S

## QJT8360-NYB, 300psi

FITS TEEJET THREAD



PART#	TO FIT	PRICE
QJT8360-NYB	11/16" - 16 TJ	7.88 S

## RAPID STOP

- \* New feature for QJ360C & QJ17560A
- \* Evacuates air trapped in booms
- \* Reduces boom shut-off times
- \* Does NOT require boom redesign

PART#	DESCRIPTION	PRICE
CP98583-3-1-SS	QJ360C	12.47 S
CP98583-2-1-SS	QJ17560A	12.47 S

# QUICK TEEJET

## PUSH TO CONNECT FITTINGS

### Features and Benefits:

- \* Available in both 1/4" and 3/8" tubing sizes
- \* For use with linear, low-density, polyethylene tubing
- \* Choice of body, cap, or body and cap combination
- \* Bodies feature proven Quick TeeJet diaphragm check valve available with a choice of opening pressures
- \* Allows flow shutoff to occur further downstream for improved fertilizer savings
- \* Orifice plate can be easily installed between body and cap for precise flow regulation
- \* Rugged nylon construction for reliability and excellent chemical resistance
- \* Compact, inline design for mounting in a variety of locations
- \* Integrated mounting lugs for easy installation using #10 or M5 screws or cable ties
- \* Flow rate of 2.5 GPM at 5 PSI pressure drop, 3.18 GPM at 10 PSI pressure drop
- \* Maximum pressure rating of 100 PSI



QUICK TEEJET PUSH TO CONNECT				
PART#	DESCRIPTION	OPENING PSI	HOSE OD	PRICE
QJ98595-1/4-2	PTC ASSEMBLY	2 PSI CHECK	1/4" OD HOSE	24.97 <b>S</b>
QJ98595-1/4-10	PTC ASSEMBLY	10 PSI CHECK	1/4" OD HOSE	24.97 <b>S</b>
QJ98594-3/8-2	PTC ASSEMBLY	2 PSI CHECK	3/8" OD HOSE	24.97 <b>S</b>
QJ98594-3/8-10	PTC ASSEMBLY	10 PSI CHECK	3/8" OD HOSE	24.97 <b>S</b>
QJ98592-1/4-2	PTC BODY	2 PSI CHECK	1/4" OD HOSE	16.87 <b>S</b>
QJ98592-1/4-10	PTC BODY	10 PSI CHECK	1/4" OD HOSE	16.87 <b>S</b>
QJ98590-3/8-2	PTC BODY	2 PSI CHECK	3/8" OD HOSE	16.87 <b>S</b>
QJ98590-3/8-10	PTC BODY	10 PSI CHECK	3/8" OD HOSE	16.87 <b>S</b>
QJ98588-1/4	PTC CAP	N/A	1/4" OD HOSE	8.14 <b>S</b>
QJ98586-3/8	PTC CAP	N/A	3/8" OD HOSE	8.14 <b>S</b>
QJ98598-90-1/4	90* CAP	N/A	1/4" OD HOSE	10.16 <b>S</b>
QJ98599-90-3/8	90* CAP	N/A	3/8" OD HOSE	10.16 <b>S</b>
CP18999-EPR	CAP GASKET	N/A	N/A	1.60 <b>S</b>

# QUICK TEEJET ADAPTERS & CLAMPS



CP21953



CP4620-FA

## CHEMSAVER END CAP

X=2#, 8#, 10#, 20#, 30#

PART#	DESCRIPTION	PRICE
21950-X-NYB	END CAP	5.24 S
CP21953-EPR	DIA EPDM	0.70 S
CP21953-VI	DIA VITON	2.16 S
CP4620-FA	DIA FAIRPRENE	0.70 S
CP98488-VI	RETRO SEAL	9.47 S
4200-0004E	HYPRO DIA EPDM	0.95 S
4200-0004V	HYPRO DIA VITON	3.15 S



QJ111 & QJ111SQ

PART#	TO FIT	PRICE
QJ111-1/2	1/2"	3.85 S
QJ111-3/4	3/4"	3.85 S
QJ111-1	1"	3.85 S
QJ111-11/4	1-1/4"	3.85 S

PART#	TO FIT	PRICE
QJ111SQ-34	3/4"	3.85 S
QJ111SQ-1	1"	3.85 S
QJ111SQ-114	1-1/4"	3.85 S
QJ111SQ-112	1-1/2"	3.85 S



AA111 & AA111SQ

PART#	TO FIT	PRICE
AA111-1/2	1/2"	6.56 S
AA111-3/4	3/4"	6.56 S
AA111-1	1"	6.56 S
AA111-11/4	1-1/4"	10.97 S

PART#	TO FIT	PRICE
AA111SQ-1	1"	7.53 S
AA111SQ-11/4	1-1/4"	11.33 S
AA111SQ-11/2	1-1/2"	13.47 S



QJ1/4T-NYB

ALLOWS USE OF QUICK TEEJET SYSTEM WITH 1/4" MALE CONNECTIONS. MAXIMUM OPERATING PRESSURE OF 300psi.

PART#	TO FIT	PRICE
QJ1/4T-NYB	1/4" FPT	3.98 S



QJT-NYB

ALLOWS USE OF TEEJET SYSTEM WITH STANDARD 11/16" - 16 TEEJET THREAD. MAXIMUM OPERATING PRESSURE OF 300psi.

PART#	TO FIT	PRICE
QJT-NYB	11/16" - 16 TJ	7.37 S



QJ1/4TT-NYB

ALLOWS USE OF QUICK TEEJET SYSTEM WITH 1/4" FEMALE CONNECTIONS. MAXIMUM OPERATING PRESSURE OF 300psi.

PART#	TO FIT	PRICE
QJ1/4TT-NYB	1/4" MPT	3.98 S



22674-1/4-NYB

ALLOWS USE OF QUICK TEEJET SYSTEM WITH 1/4" FEMALE CONNECTIONS.

PART#	TO FIT	PRICE
22674-1/4-NYB	1/4" MPT	3.98 S



## NOZZLE BODY ASSEMBLIES



NOZZLE THREAD TEE		
PART#	HB SIZE	PRICE
NTT38	3/8"	1.97 \$
NTT12	1/2"	2.02 \$
NTT58	5/8"	2.17 \$
NTT34	3/4"	2.17 \$



NOZZLE THREAD CROSS		
PART#	HB SIZE	PRICE
NTC38	3/8"	3.48 \$
NTC12	1/2"	2.95 \$
NTC34	3/4"	2.75 \$



NOZZLE THREAD ELBOW		
PART#	HB SIZE	PRICE
NTL38	3/8"	1.95 \$
NTL12	1/2"	1.95 \$
NTL58	5/8"	1.95 \$
NTL34	3/4"	2.16 \$



NOZZLE THREAD BARB		
PART#	HB SIZE	PRICE
NTB38	3/8"	1.30 \$
NTB12	1/2"	1.30 \$



NOZZLE THREAD NUT		
PART#	MATERIAL	PRICE
NTN	NYLON	.47 \$



NOZZLE CAP		
PART#	MATERIAL	PRICE
CP8027-NYB	NYLON	1.34 \$

## TEEJET SWIVEL BODY ASSEMBLIES

TEEJET SWIVEL NOZZLE BODY ASSEMBLIES ARE DESIGNED FOR USE IN ROW CROP SPRAYING TIPS. A LOCKNUT HOLDS THE SWIVEL BODIES FIRMLY IN POSITION FOR SELECTED SPRAY ANGLES, NOT AFFECTED BY JARRING OR VIBRATION. PART NUMBER INCLUDES BODY ONLY, NO TIPS, STRAINERS OR CAPS INCLUDED. AVAILABLE IN THREADED CAP AND QUICK TEEJET STYLES.



**QJ8600-2**



**8600**



**8600-2**



**5000**



**5540**



**QJ8600**

PART#	DESCRIPTION	PRICE
QJ8600-1/4-NYB	NYLON SINGLE SWIVEL W/QUICKJET	10.57 \$
QJ8600-2-1/4-NYB	NYLON DOUBLE SWIVEL W/QUICKJET	12.73 \$
8600-1/4T-NYB	NYLON SINGLE SWIVEL THREADED	12.26 \$
8600-2-1/4T-NYB	NYLON DOUBLE SWIVEL THREADED	14.79 \$
5000-1/4T	BRASS SINGLE SWIVEL FEMALE	25.54 \$
5540-1/4TT	BRASS SINGLE SWIVEL MALE	28.23 \$
4202-2-1/4T	BRASS DOUBLE SWIVEL	34.61 \$



**4202-2**

# HOSE SHANKS & ACCESSORIES



TEE CONNECTION WITH 1/4" FPT		
PART#	BARB SIZE	PRICE
13435-406-NYB	3/8"	6.34 S
13438-540-NYB	1/2"	6.34 S



ELBOW CONNECTION WITH 1/4" FPT		
PART#	BARB SIZE	PRICE
13434-406-NYB	3/8"	6.34 S
13437-540-NYB	1/2"	6.34 S



3-WAY CONNECTION WITH 1/4" FPT		
PART#	BARB SIZE	PRICE
13436-406-NYB	3/8"	6.34 S
13439-540-NYB	1/2"	6.34 S



USE TEEJET HOSE SHANKS FOR ATTACHING HOSE TO NOZZLE BODY. FITS ALL TEEJET NOZZLE CAPS, REPLACING SPRAY TIPS.

TEEJET HOSE SHANKS		
PART#	HOSE ID	PRICE
8400-14	1/4"	1.84 S
8400-38	3/8"	1.84 S
8400-12	1/2"	1.84 S



TEEJET SPLIT EYELET NOZZLE BODIES MOUNT ON 1/2", 3/4" & 1" PIPE. 25775 MOUNTS TO 9.5mm HOLE. 7421 MOUNTS TO 7.2mm HOLE.



TEEJET SPLIT EYELET NOZZLE BODIES			
PART#	MATERIAL	PIPE SIZE	PRICE
25775-1/2T-NYB	NYLON	1/2"	7.92 S
25775-3/4T-NYB	NYLON	3/4"	7.92 S
25775-1T-NYB	NYLON	1"	7.92 S
7421-1/2TSS	STAINLESS	1/2"	18.19 S
7421-3/4TSS	STAINLESS	3/4"	18.19 S
7421-1TSS	STAINLESS	1"	18.19 S



CP3942 IS USED TO TEMPORARILY SHUT-OFF SELECTED NOZZLES BY REPLACING SPRAY TIPS WITH THESE PLUG TIPS. BRASS OR STAINLESS.

TIP PLUGS		
PART#	MATERIAL	PRICE
CP3942SS	STAINLESS	1.00 S
CP3942	BRASS	0.68 S



4676 TEEJET OUTLET ADAPTER FITS THE OUTLETS OF TEEJET NOZZLE BODIES AS WELL AS THE OUTLETS OF VARIOUS GUN-JET SPRAY GUNS AND SHUT-OFF VALVES. USE FOR ATTACHING HOSE DROPS TO NOZZLES OR EXTENSIONS TO SPRAY GUNS. 11/16" -16 TJ NOZZLE THREAD X FNPT.

TEEJET OUTLET ADAPTER			
PART#	OUTLET SIZE	MATERIAL	PRICE
4676-14	1/4"	BRASS	4.07 S
4676-14-NYB	1/4"	NYLON	3.35 S
4676-14-SS	1/4"	STAINLESS	13.71 S



## TEEJET HOSE DROPS

CONNECT TO STANDARD AND QUICK TEEJET NOZZLE BODIES AND CAN ALSO BE USED WITH SWIVELS. AVAILABLE IN 15" & 24" LENGTHS. MAXIMUM OPERATING PRESSURE 125psi. QJ1/4T-NYB CAN BE ATTACHED TO HOSE DROPS FOR USE WITH QUICK TEEJET CAPS

TEEJET HOSE DROPS				
PART#	LENGTH	INLET CONNECTION	OUTLET CONNECTION	PRICE
21353-6-15-NYB	15"	QUICK TEEJET	1/4" MNPT	17.15 S
21353-6-24-NYB	24"	QUICK TEEJET	1/4" MNPT	17.15 S
21354-15-NYB	15"	11/16" -16 TJ THREAD	1/4" MNPT	11.34 S
21354-24-NYB	24"	11/16" -16 TJ THREAD	1/4" MNPT	12.63 S

# TIP STRAINERS



8079



5053

## STANDARD STRAINERS

STRAINERS PROTECT SPRAY TIP ORIFICES FROM CLOGGING AND DAMAGE.

TEEJET STANDARD TIP STRAINERS			
PART#	MESH	MATERIAL	PRICE
8079-PP-50	50	POLYPROPYLENE (RED) **NEW COLOR - GENTIAN BLUE	1.75 S
8079-PP-100	100	POLYPROPYLENE (GREEN) **NEW COLOR - TRAFFIC GREEN	1.75 S
5053-50-SS	50	BRASS	4.12 S
5053-100-SS	100	BRASS	4.12 S

## SLOTTED STRAINERS

SLOTTED ONE-PIECE STRAINERS FOR USE WITH LIQUID CONTAINING SUSPENDED SOLIDS.



4514



TEEJET SLOTTED STRAINERS			
PART#	MESH	MATERIAL	PRICE
4514-NY-10	50	NYLON (RED) **NEW COLOR - GENTIAN BLUE	1.85 S
4514-NY-20	25	NYLON (YELLOW) **NEW COLOR - FLAME RED	1.85 S
4514-NY-32	16	NYLON (GRAY) **NEW COLOR - BROWN RED	1.85 S
4514-10	50	BRASS	1.96 S
4514-20	25	BRASS	1.96 S
4514-32	16	BRASS	1.96 S



4193

## STRAINER AND CHECK VALVE

MINIMIZES NOZZLE DRIPPING; FITS ALL TEEJET NOZZLES. BALL CHECK OPENS AT 5 PSI. RECOMMENDED FOR FLOW RATES UP TO 8 GPM. NOT FOR USE WITH AI OR DG TIPS.

**NOTE:** USE OF THESE BALL CHECK VALVES RESULTS IN A PRESSURE DROP OF 5 PSI TO 10 PSI DEPENDING ON SPRING RATING.



TEEJET STRAINERS & CHECK VALVE			
PART#	MESH	MATERIAL	PRICE
4193A-PP-50	50	POLYPROPYLENE (RED) **NEW COLOR - GENTIAN BLUE	5.73 S
4193A-PP-100	100	POLYPROPYLENE (GREEN) **NEW COLOR - TRAFFIC GREEN	5.73 S
4193A-SS-50	50	STAINLESS	28.31 S
4193A-SS-100	100	STAINLESS	28.31 S
4193A-BR-50	50	BRASS	7.21 S
4193A-BR-100	100	BRASS	7.21 S

# SPRAY GUNS

## 22670-PP-1/4 TRIGGERJET

**FEATURES:**

- 22650 TRIGGERJET GUN
- TRIGGER LOCK
- 22665 EXTENSION 15" OR 24"
- 8079-PP-50 STRAINER
- 5500-PPB-X8 ADJUSTABLE TIP
- ACCEPTS ALL STANDARD SPRAY SYSTEMS
- TIPS AND STAINERS



PART#	MATERIAL	INLET	MAX PRESSURE	LENGTH	MAX FLOW	PRICE
22670-PP-15-1/4	POLYPROPYLENE	1/4" FNPT	150	15"	1.4 GPM	63.34 S
22670-PP-24-1/4	POLYPROPYLENE	1/4" FNPT	150	24"	1.4 GPM	73.01 S

## AA23L-7676 GUNJET

**FEATURES:**

- AA23-7676 GUNJET
- ALUMINUM ALLOY
- EXTENSION 18" OR 24"
- ACCEPTS ALL STANDARD SPRAY SYSTEMS
- TIPS AND STRAINERS



PART#	MATERIAL	INLET	MAX PRESSURE	LENGTH	MAX FLOW	PRICE
AA23L-7676-18	ALUMINUM	1/4" MNPS	250	18"	5 GPM	156.92 S
AA23L-7676-24	ALUMINUM	1/4" NPS	250	24"	5 GPM	166.32 S

## ADJUSTABLE CONEJET TIPS



PART#	MATERIAL	PRICE
5500-PPB-X5	POLY	12.78 S
5500-PPB-X6	POLY	12.78 S
5500-PPB-X8	POLY	12.78 S
5500-X3	BRASS	27.99 S
5500-X8	BRASS	27.99 S



**5500-PPB**

THE POLYPROPYLENE TIP HAS THE SAME PERFORMANCE CHARACTERISTICS AS THE BRASS TIP AND PROVIDES EXCELLENT CHEMICAL RESISTANCE. THIS TIP'S LIGHT WEIGHT MAKES IT WELL-SUITED FOR USE ON HANDHELD AND BACKPACK TYPE SPRAYERS.

**5500**

KNURLED BODY OF TIP ROTATES THROUGH A HALF TURN TO PROVIDE SPRAY SELECTION FROM WIDE ANGLE, FINELY ATOMIZED CONE SPRAY TO A STRAIGHT STREAM SPRAY.

## SPRAY GUNS & FIRE NOZZLES

### HYPRO AG SPRAY GUN MODEL 3381-0043

**3381-0043:** Adjustable pattern spray gun with 7-1/4" barrel and 2.3mm nozzle, 3/8" and 1/2" hose barb.

**3381-0043L:** Adjustable pattern spray gun with 18" barrel and 2.3mm nozzle, 3/8" and 1/2" hose barb.



PART#	PORT	LENGTH	PRICE
3381-0043	3/8" & 1/2" HOSE BARB	7"	191.16 S
3381-0043L	3/8" & 1/2" HOSE BARB	18"	215.91 S

### FIRE NOZZLES



Fully adjustable for solid stream to a fine mist. Polycarbonate construction with heavy rubber bumper.



PART#	SIZE	GPM	PRICE
FN34	3/4" FEMALE GARDEN HOSE THREAD	8	45.00 S
FN100	1" FEMALE PIPE	22	39.20 S
FN112	1-1/2" FEMALE PIPE	75	33.90 S
FN200	2" FEMALE PIPE	75	60.00 S

# SPECIALTY NOZZLES



## TEEJET EDUCTOR NOZZLE

ALLOWS SMALL PUMPS TO CIRCULATE LARGE VOLUMES OF LIQUID. MADE FROM GLASS-FILLED POLYPROPYLENE FOR EXCELLENT CORROSION & CHEMICAL RESISTANCE. LARGE FLOW OPENING MINIMIZES PLUGGING.

PART#	INLET	ORIFICE DIA	LENGTH	DIAMETER	PRICE
Y33180-PP	3/8" MPT	5/16"	4-1/16"	2-1/16"	88.63 \$
Y9270-PP	3/4" MPT	3/8"	6-3/8"	2-29/32"	88.63 \$



## TEEJET TANK RINSING NOZZLES

FLUID DRIVEN ROTATIONAL SPRAY HEAD.  
360 DEGREE COVERAGE INSIDE TANK.  
MADE FROM CORROSION RESISTANT TEFLON MATERIAL.  
MOUNTING CONNECTION 3/4" FEMALE NOT.

PART#	CAPACITY GPM					PRICE
	10 PSI	20 PSI	30 PSI	40 PSI	50 PSI	
27500E-3/4-18-TEF	9	12.7	15.6	18	20	352.98 \$



THE ROTARY TANK RINSING NOZZLE IS USED FOR RINSING THE INSIDES OF CHEMICAL CONTAINERS AND SPRAY TANKS UP TO 6.5 FT IN DIAMETER. AVAILABLE WITH 1/2" NPT OR BSPT CONNECTIONS. SELF-CLEANING SLIDING BEARING. NOZZLE FITS IN 1-1/2" OPENING. BODY AND INSERTS ARE MADE OF POM (ACETAL).

PART#	CAPACITY GPM					PRICE
	20 PSI	30 PSI	40 PSI	50 PSI	60 PSI	
D41892-1/2-POM-6	4	4.9	5.7	6.4	7	262.13 \$



## TEEJET CONTAINER RINSING NOZZLES

USED TO RINSE CONTAINERS BEFORE DISPOSAL. CAN BE USED ON CONTAINERS WITH 1-1/32" OPENING OR LARGER. THREE FLAT ORIFICES PROVIDE SELF-ROTATION FORCES NEEDED. MADE OF 316 STAINLESS WITH HARDENED STAINLESS STEEL BEARING.

PART#	INLET	CAPACITY GPM				PRICE
		30 PSI	40 PSI	50 PSI	60 PSI	
23240-3-HSS-5.7-316SS	1/2" FNPT	4.3	5	5.6	6.1	940.31 \$
23240-3-HSS-7-316SS	1/2" FNPT	6.1	7	7.8	8.6	978.06 \$

USED TO RINSE CONTAINERS BEFORE DISPOSAL. 40 ORIFICES PRODUCE A 240 DEGREE SPRAY ANGLE ALL NYLON CONSTRUCTION. RECOMMENDED OPERATING PRESSURE 30-60 PSI.



PART#	INLET	CAPACITY GPM				PRICE
		30 PSI	40 PSI	60 PSI	80 PSI	
VSM-12-44	1/2" FNPT	7.5	8.6	10.6	12.2	58.41 \$
VSM-12-90	1/2" FNPT	15.3	17.7	22	25	58.41 \$
VSM-34-90	3/4" FNPT	15.3	17.7	22	25	599.13 \$



# COMBO-JET® Spray Tip-Caps

Wilger's patented all-in-one Tip-Cap & snap-in strainer.  
See our selection of extended range and drift control spray tips and strainers.

COMBO-JET® Extended Range (ER) Tip-Cap-Smaller droplets, best coverage, greatest drift potential.

COMBO-JET® Drift Control (SR) Tip-Cap & Orifice-Small droplet drift reduction, excellent coverage lower drift potential.

COMBO-JET® Mid Range (MR) Tip-Cap & Orifice-Medium sized droplets for very good coverage with significant reduction in drift.

COMBO-JET® Drift Control (DR) Tip-Cap & Orifice-Large droplets for good coverage with maximum drift control.

TIP #	PART#	PSI	GPM	GALLONS PER ACRE 20" SPACING							
				6	7	8	10	12	16	18	20
				MPH	MPH	MPH	MPH	MPH	MPH	MPH	MPH
ER80-01	40270-01	20	0.07	3.5	3.0	2.6	2.1	1.7	1.3	1.2	1.0
SR80-01	40288-01	30	0.09	4.5	3.8	3.3	2.7	2.2	1.7	1.5	1.3
MR80-01	40290-01	40	0.10	5.0	4.2	3.7	3.0	2.5	1.9	1.7	1.5
DR80-01	40280-01	50	0.11	5.4	4.7	4.1	3.3	2.7	2.0	1.8	1.6
ER110-01	40281-01	60	0.12	5.9	5.1	4.5	3.6	3.0	2.2	2.0	1.8
		70	0.13	6.4	5.5	4.8	3.9	3.2	2.4	2.1	1.9
		80	0.14	6.9	5.9	5.2	4.2	3.5	2.6	2.3	2.1
ER80-015	40270-015	20	0.11	5.4	4.7	4.1	3.3	2.7	2.0	1.8	1.6
SR80-015	40288-015	30	0.13	6.4	5.5	4.8	3.9	3.2	2.4	2.1	1.9
MR80-015	40290-015	40	0.15	7.4	6.4	5.6	4.5	3.7	2.8	2.5	2.2
DR80-015	40280-015	50	0.17	8.4	7.2	6.3	5.0	4.2	3.2	2.8	2.5
ER110-015	40281-015	60	0.18	8.9	7.6	6.7	5.3	4.5	3.3	3.0	2.7
SR110-015	40287-015	70	0.20	9.9	8.5	7.4	5.9	5.0	3.7	3.3	3.0
MR110-015	40291-015	80	0.21	10.4	8.9	7.8	6.2	5.2	3.9	3.5	3.1
DR110-015	40286-015										
ER80-02	40270-02	20	0.14	6.9	5.9	5.2	4.2	3.5	2.6	2.3	2.1
SR80-02	40288-02	30	0.17	8.4	7.2	6.3	5.0	4.2	3.2	2.8	2.5
MR80-02	40290-02	40	0.20	9.9	8.5	7.4	5.9	5.0	3.7	3.3	3.0
DR80-02	40280-02	50	0.22	10.9	9.3	8.2	6.5	5.4	4.1	3.6	3.3
ER110-02	40281-02	60	0.24	11.9	10.2	8.9	7.1	5.9	4.5	4.0	3.6
SR110-02	40287-02	70	0.26	12.9	11.0	9.7	7.7	6.4	4.8	4.3	3.9
MR110-02	40291-02	80	0.28	13.9	11.9	10.4	8.3	6.9	5.2	4.6	4.2
DR110-02	40286-02										
ER80-025	40270-025	20	0.18	8.9	7.6	6.7	5.3	4.5	3.3	3.0	2.7
SR80-025	40288-025	30	0.22	10.9	9.3	8.2	6.5	5.4	4.1	3.6	3.3
MR80-025	40290-025	40	0.25	12.4	10.6	9.3	7.4	6.2	4.6	4.1	3.7
DR80-025	40280-025	50	0.28	13.9	11.9	10.4	8.3	6.9	5.2	4.6	4.2
ER110-025	40281-025	60	0.31	15.3	13.2	11.5	9.2	7.7	5.8	5.1	4.6
SR110-025	40287-025	70	0.33	16.3	14.0	12.3	9.8	8.2	6.1	5.4	4.9
MR110-025	40291-025	80	0.35	17.3	14.9	13.0	10.4	8.7	6.5	5.8	5.2
DR110-025	40286-025										
ER-80-03	40270-03	20	0.21	10.4	8.9	7.8	6.2	5.2	3.9	3.5	3.1
SR80-03	40288-03	30	0.26	12.9	11.0	9.7	7.7	6.4	4.8	4.3	3.9
MR80-03	40290-03	40	0.30	14.9	12.7	11.1	8.9	7.4	5.6	5.0	4.5
DR80-03	40280-03	50	0.34	16.8	14.4	12.6	10.1	8.4	6.3	5.6	5.0
ER110-03	40281-03	60	0.37	18.3	15.7	13.7	11.0	9.2	6.9	6.1	5.5
SR110-03	40287-03	70	0.40	19.8	17.0	14.9	11.9	9.9	7.4	6.6	5.9
MR110-03	40291-03	80	0.42	20.8	17.8	15.6	12.5	10.4	7.8	6.9	6.2
DR110-03	40286-03										

# COMBO-JET® Spray Tip-Caps



PART#	STRAINERS	PRICE
40250-00	50 MESH BLUE	2.10 S
40251-00	100 MESH GREEN	2.10 S

DESCRIPTION	PRICE	DESCRIPTION	PRICE
ER Tips 01-08	13.05 S	ER Tips 10 & UP	13.05 S
SR Tips 01-06	19.31 S	SR Tips 08 & UP	19.31 S
MR Tips 01-05	19.31 S	MR Tips 06 & UP	19.31 S
DR Tips 01-04	19.31 S	DR Tips 05 & UP	19.31 S

TIP #	PART#	PSI	GPM	GALLONS PER ACRE 20" SPACING							
				6	7	8	10	12	16	18	20
				MPH	MPH	MPH	MPH	MPH	MPH	MPH	MPH
ER80-04	40270-04	20	0.28	13.9	11.9	10.4	8.3	6.9	5.2	4.6	4.2
SR80-04	40288-04	30	0.35	17.3	14.9	13	10.4	8.7	6.5	5.8	5.2
MR80-04	40290-04	40	0.40	19.8	17	14.9	11.9	9.9	7.4	6.6	5.9
DR80-04	40280-04	50	0.45	22	19	16.7	13.4	11.1	8.4	7.4	6.7
ER110-04	40281-04	60	0.49	24	21	18.2	14.6	12.1	9.1	8.1	7.3
SR110-04	40287-04	70	0.53	26	22	19.7	15.7	13.1	9.8	8.7	7.9
MR110-04	40291-04	80	0.57	28	24	21	16.9	14.1	10.6	9.4	8.5
DR110-004	40286-04										
ER80-05	40270-05	20	0.35	17.3	14.9	13	10.4	8.7	6.5	5.8	5.2
SR80-05	40288-05	30	0.43	21	18.2	16	12.8	10.6	8	7.1	6.4
MR80-05	40290-05	40	0.50	25	21	18.6	14.9	12.4	9.3	8.3	7.4
DR80-05	40280-05	50	0.56	28	24	21	16.6	13.9	10.4	9.2	8.3
ER110-05	40281-05	60	0.61	30	26	23	18.1	15.1	11.3	10.1	9.1
SR110-05	40287-05	70	0.66	33	28	25	19.6	16.3	12.3	10.9	9.8
MR110-05	40291-05	80	0.71	35	30	26	21	17.6	13.2	11.7	10.5
DR110-05	40286-05										
ER80-06	40270-06	20	0.42	21	17.8	15.6	12.5	10.4	7.8	6.9	6.2
SR80-06	40288-06	30	0.52	26	22	19.3	15.4	12.9	9.7	8.6	7.7
MR80-06	40290-06	40	0.60	30	25	22	17.8	14.9	11.1	9.9	8.9
DR80-06	40280-06	50	0.67	33	28	25	19.9	16.6	12.4	11.1	9.9
ER110-06	40281-06	60	0.73	36	31	27	22	18.1	13.6	12	10.8
SR110-06	40287-06	70	0.79	39	34	29	23	19.6	14.7	13	11.7
MR110-06	40291-06	80	0.85	42	36	32	25	21	15.8	14	12.6
DR110-06	40286-06										
ER80-08	40270-05	20	0.57	28	24	21	16.9	14.1	10.6	9.4	8.5
SR80-08	40288-08	30	0.69	34	29	26	20	17.1	12.8	11.4	10.2
MR80-08	40290-08	40	0.80	40	34	30	24	19.8	14.9	13.2	11.9
DR80-08	40280-08	50	0.89	44	38	33	26	22	16.5	14.7	13.2
ER110-08	40281-08	60	0.98	49	42	36	29	24	18.2	16.2	14.6
SR110-08	40287-08	70	1.06	52	45	39	31	26	19.7	17.5	15.7
MR110-08	40291-08	80	1.13	56	48	42	34	28	21	18.6	16.8
DR110-08	40286-08										
ER80-10	40270-10	20	0.71	35	30	26	21	18	13	12	11
SR80-10	40288-10	30	0.87	43	37	32	26	22	16	14	13
MR80-10	40290-10	40	1.00	50	42	37	30	25	19	17	15
DR80-10	40280-10	50	1.12	55	48	42	33	28	21	18	17
ER110-10	40281-10	60	1.22	60	52	45	36	30	23	20	18
SR110-10	40287-10	70	1.32	65	56	49	39	33	25	22	20
MR110-10	40291-10	80	1.41	70	60	52	42	35	26	23	21
DR110-10	40286-10										





# COMBO-JET® & COMBO-RATE® NOZZLE BODIES

## COMBO-JET® NOZZLE BODY -

Rugged and durable. Unique Radialock cap retainer makes it easier to put on and take off caps and caps are less likely to get knocked off. Available in single, double, and triple outlet wet boom, dry boom & KWIKSTOP models.



COMBO-JET WET BOOM NOZZLE BODY		
PART#	DESCRIPTION	PRICE
40611-00	SINGLE BODY 3/4" PIPE	6.45 S
40621-00	SINGLE BODY 1" PIPE	6.45 S
40612-00	DOUBLE BODY 3/4" PIPE	16.62 S
40622-00	DOUBLE BODY 1" PIPE	16.62 S
40613-00	TRIPLE BODY 3/4" PIPE	20.45 S
40623-00	TRIPLE BODY 1" PIPE	20.45 S
40155-07	DIAPHRAGM - FAIRPRENE	1.09 S



COMBO-JET DRY BOOM NOZZLE BODY		
PART#	DESCRIPTION	PRICE
40352-00	SINGLE	10.78 S
40353-00	DOUBLE	20.06 S
40354-00	TRIPLE	25.21 S



CAPSTAN BLENDED PULSE NOZZLE BODY		
PART#	DESCRIPTION	PRICE
41135-00	Thru-body Assy for Capstan (w/o nut)	4.98 S
41533-00	3-way Turret-body Assy for Capstan (w/o nut)	16.46 S
41534-00	4-way Turret-body Assy for Capstan (w/o nut)	16.46 S
41535-00	5-way Turret-body Assy for Capstan (w/o nut)	16.46 S

## COMBO-RATE® NOZZLE BODY -

Lets you spray with more than one tip at same location to optimize coverage, drift control...and results.



COMBO-RATE DIAPHRAGM NOZZLE BODY		
PART#	DESCRIPTION	PRICE
41100-00	Thru-body Assy Diaphragm Check	11.01 S
41101-00	End-body Assy Diaphragm Check	10.04 S
41503-00	3-way Turret-body Assy Diaphragm Check	22.05 S
41504-00	4-way Turret-body Assy Diaphragm Check	22.05 S
41505-00	5-way Turret-body Assy Diaphragm Check	22.05 S



COMBO-RATE MANUAL ON/OFF DIAPH BODY		
PART#	DESCRIPTION	PRICE
41110-00	Thru-body Assy Manual On/Off	12.58 S
41111-00	End-body Assy Manual On/Off	11.68 S
41513-00	3-way Turret-body Assy Manual On/Off	23.62 S
41514-00	4-way Turret-body Assy Manual On/Off	23.62 S
41515-00	5-way Turret-body Assy Manual On/Off	23.62 S



COMBO-RATE WET BOOM SADDLES		
PART#	DESCRIPTION	PRICE
41203-00	Wet Boom Saddle Assy 3/4" Pipe, 3/8" Inlet	7.58 S
41200-00	Wet Boom Saddle Assy 1" Pipe, 3/8" Inlet	7.58 S
41201-00	Wet Boom Saddle Assy 1" Pipe, 9/16" Inlet	7.58 S
41206-00	Wet Boom Saddle Assy 2" Pipe, 9/16" Inlet	8.83 S



COMBO-RATE DRY BOOM COMPONENTS		
PART#	DESCRIPTION	PRICE
41256-00	Combo-Clip 3/4" Square Mount Adapter	4.35 S

# CONVENTIONAL NOZZLE BODIES & PARTS



## CONVENTIONAL/SQUARE-LUG SWIVEL NOZZLE BODIES -

are interchangeable with conventional/square-lug nozzle bodies and accommodate conventional/square-lug tip caps. Available in single, double and triple outlet wet boom, dry boom and KWIKSTOP models.

CONVENTIONAL WET BOOM NOZZLE BODY		
PART#	DESCRIPTION	PRICE
40651-00	SINGLE BODY FOR 3/4" PIPE	6.45 S
40661-00	SINGLE BODY FOR 1" PIPE	6.45 S
40652-00	DOUBLE BODY FOR 3/4" PIPE	16.62 S
40662-00	DOUBLE BODY FOR 1" PIPE	16.62 S
40653-00	TRIPLE BODY FOR 3/4" PIPE	20.45 S
40663-00	TRIPLE BODY FOR 1" PIPE	20.45 S
40155-07	DAIPHFRAGM - FAIRPRENE	1.09 S



CONVENTIONAL DRY BOOM NOZZLE BODY		
PART#	DESCRIPTION	PRICE
40152-00	DOUBLE DRY BOOM BODY	20.06 S
40153-00	TRIPLE DRY BOOM BODY	25.21 S



DRY BOOM HOSE SHANKS				
	PART#			PRICE
SINGLE	40301-00	40306-00	40311-00	2.38 S
DOUBLE	40302-00	40307-00	40312-00	2.38 S
TRIPLE	N/A	N/A	40313-00	3.19 S



BOOM END FLUSH VALVE		
PART#	DESCRIPTION	PRICE
25175-VO	1" QN SST Style & 1-1/4"	33.16 S
25176-VO	1" NPTF Style	39.34 S
41402-VO	TWS (Case IH) Style	33.16 S
25173-03	Standard Handle	3.35 S
25175-13	Long Handle	3.35 S

COMBO-JET CONVERSION ADAPTER		
PART#	DESCRIPTION	PRICE
40204-00	Conventional to Combo-Jet	2.87 S
40202-00	Hardi to Combo-Jet	2.87 S
40203-00	Combo-Jet to Conventional	2.87 S



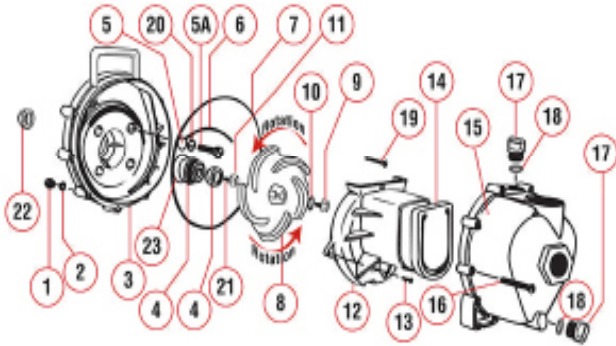
RADIALOCK CAPS - SLOTTED, HOSEBARB, THREADED & SEAL ADAPTER		
For colors on caps add - 01 RED, 02 WHITE, 03 GREEN, 04 YELLOW, 05 BLACK		
PART #	DESCRIPTION	PRICE
40269-XX	Cap - Universal, Slot - 3/8" Wide	1.10 S
40271-XX	Cap - Universal, Round - 1/2" Diam	1.22 S
40275-XX	Cap - Hardi Slot	1.22 S
40276-XX	Cap - Wide Slot - 7/16" Wide	1.23 S
40279-XX	Cap - Universal, Slot, High Volume - 3/8" Wide	1.23 S
40272-05	Cap - Plug	1.22 S
40273-05	Cap - 1/4" NPTF	1.56 S
40274-05	Cap - 1/4" NPTF, 45 Degree	3.62 S
40277-05	Cap - 1/8" NPFT	1.56 S
40420-05	Cap - 1/8" Hose Barb	1.56 S
40422-05	Cap - 1/4" Hose Barb	1.55 S
40424-05	Cap - 3/8" Hose Barb	1.55 S
40426-05	Cap - 1/2" Hose Barb	1.55 S
40435-05	Cap - 1/4" Tube Push-In Fitting	4.84 S
40436-05	Cap - 3/8" Tube Push-In Fitting	4.96 S
40440-00	Twin Cap Adapter Assy w/Seal	5.76 S
40261-00	Seal Adapter	0.46 S

## GAS-DRIVEN POLY TRANSFER PUMPS

PART#	PUMP SIZE	MOTOR	HP	GPM	PRICE
B200P6PRO	2"	BRIGGS	6.5	190	515.11 A
B200PH-5	2"	HONDA	5.5	190	875.00 A
B200PH6	2"	HONDA	6.5		900.00 A
B200PH6E	2"	HONDA	6.5		1,250.00 A
B300PH-6	3"	HONDA	6.5	300	950.00 A
200PS6	2"	SIMPSON	6.7		650.00 A
B200PO	2"	PUMP ONLY		190	261.82 A
B300PO	3"	PUMP ONLY			370.72 A



NEW STYLE BREAKDOWN SHOWN  
"V" SHAPED BODY PRIMES FASTER.



PUMP REPAIR KITS		
PART#	DESCRIPTION	PRICE
12000A	PUMP REPAIR KIT 2"	152.98 D
12999A	SEAL/O-RING KIT 2"	84.09 D
13999	SEAL/O-RING KIT 3"	84.09 D

### Pump Cover



PART# PCVR \$129.91 Y

PARTS NEW DESIGN MFG BEGINNING SEPT 1996					
REF #	DESCRIPTION	REQ	PART # 2"	PART # 3"	PRICE
1	BODY NUTS SS	10	V07019	V07019	1.22 D
2	LOCK WASHER SS	10	V07018	V07018	1.22 D
3	POLY PUMP REAR BRACKET	1	12703A	12703A	103.28 D
4	SEAL ASSEMBLY	1	12713	12713	50.55 D
5	SCREW HEADS O-RING	4	12717	12717	1.06 D
#	BRACKET SCREWS SS	4	12715A	12715A	4.37 D
6	O-RING SEGMENT	1	12754	12754	6.92 D
7	BODY O-RING	1	12719A	12719A	16.49 D
8	5 VANE IMPELLER	1	12772		48.44 D
	4 VANE IMPELLER			13771	68.14 D
9	IMPELLER BOLT SS	1	12765A	13765	20.77 D
10	IMPELLER BOLT GASKET	1	12774VA	12774VA	1.88 D
11	IMPELLER NUT	1	12775A	12775A	16.49 D
12	POLY PUMP VOLUTE	1	12702A		77.73 D
				13702	84.09 D
13	VOLUTE SCREWS SS	2	12725	12725	4.37 D
14	POLY PUMP CHECK VALVE	1	12705	12705	18.64 D
15	POLY PUMP BODY ASSY	1	12712A		159.69 D
				13712	212.91 D
16	BODY SCREWS SS	10	12720	12720	4.37 D
17	PRIME / DRAIN PLUG	2	12777		3.41 D
				13777	5.24 D
18	PLUG O-RING	2	UV15163		1.18 D
				13778	2.23 D
19	UPPER VOLUTE SCREW SS	1	12900	12900	1.81 D
20	REAR BRACKET WASHER SS	1	12901	12901	1.06 D
21	IMPELLER KEY	1	12902A	12902A	2.11 D
22	POLY PUMP SLINGER	1	12716	12716	6.92 D
23	O-RING SEAL ASSEMBLY	1	12710	12710	4.37 D

## M220 2" Manifold Poly Pumps



**M220P6PRO**

**FEATURES:**

- \* Precision molded construction
- \* Lightweight
- \* Corrosion resistant
- \* Superior design
- \* Low maintenance
- \* EPDM Standard, FKM (viton type) available

**CAUTION-WARNING:**

Please do not run pump dry, restrict or reduce port sizes, or dead head pump.

**DO NOT USE WITH FLAMMABLE LIQUIDS.**



**M220PH5**

PART #	DESCRIPTION	PRICE
M220PH5	2" Manifold Poly Pump w/5.5 HP Honda Engine	925.00 A
M220PH6	2" FP Manifold Super Pump w/6.5 HP Honda Engine	940.00 A
M220PO	2" Manifold Poly Pump ONLY w/3/4" Shaft & 4 Vane Impeller	314.20 A
** ELECTRIC START		

REPLACEMENT PARTS							
DESCRIPTION	REQ	PART#	PRICE	DESCRIPTION	REQ	PART#	PRICE
Mechanical Seal Assembly	1	12713	50.55 D	SS Body Hex Nut	10	V07019	1.22 D
5/16" Flat Washer	4	12901	1.06 D	7/16-14 Hex Nut	1	12775A	16.49 D
#11 O'ring	4	12717	1.06 D	3/16" Sq x 5/8" Key	1	12902A	2.11 D
2" FP Manifold Pump Body Assy	1	M12712	223.54 D	2" Poly Pump Volute	1	12702A	77.73 D
Check Valve	1	12705	18.64 D	5 Vane Impeller	1	12772	48.44 D
#10 x 1-1/2" PPH SMS	1	12900	1.81 D	Decal	1		
#6 x 1/2" PPH SMS	2	12725	4.37 D	#029 O'ring	1	12710	4.37 D
#375 O'ring	1	12719A	16.49 D	Pump Slinger	1	12716	6.92 D
O'ring Segment	1	12754	6.92 D	5/16-24 x 1-1/8" HFS	1	12765A	20.77 D
SS Body Screws	10	12720	4.37 D	Impeller Bolt Gasket	1	12774VA	1.88 D
SS Lockwasher	10	V07018	1.22 D	SS Bracket Screws	4	12715A	4.37 D
				Poly Pump Rear Bracket	1	12703A	103.28 D

**NOTE: The M230 Super Pump Series has become the M220 Super Pump Series**

## 2" POLY PUMP with ELECTRIC MOTORS



### FEATURES

- \* Additional drive protection with added 1" spacer for ultimate protection
  - \* Special non-metallic mechanical seal designed for better chemical resistance
  - \* All elastomers are FKM (viton type)
  - \* All internal fasteners are PTFE coated stainless steel
  - \* The Banjo "Super Slinger" included for even more drive unit protection
- Do not run pump dry.  
DO NOT USE WITH FLAMMABLE LIQUIDS.

PART #	DESCRIPTION	PRICE
234PPE51V	2" Poly Pump w/5.0 HP Single Phase Electric Motor w/FKM (viton Type) Elastomers	2,347.58 A

## 2" & 3" POLY PUMP with HYDRAULIC MOTOR



### PUMP FEATURES

- \*Precision molded construction
- \*Lightweight
- \*Corrosion resistant
- \*Superior design
- \*Low maintenance

### HYDRAULIC MOTOR FEATURES

- \*Hydraulic fluid capacity
- \*Minimum 6 Gallon/Maximum 10 Gallon
- \*12 HP Motor
- \*Open or closed system
- \*3600 RPM

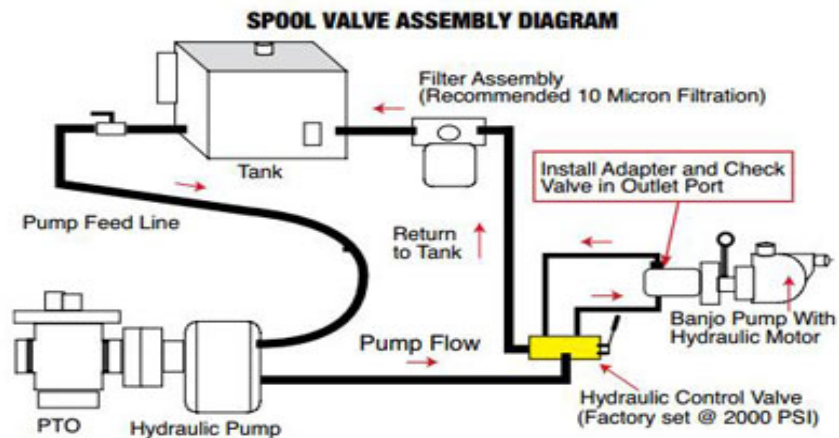
PART #	DESCRIPTION	PRICE
B200PHY	2" Poly Pump w/12 HP Hydraulic Motor	1,272.18 A
B300PHY	3" Poly Pump w/12 HP Hydraulic Motor	1,401.14 A



PART# HSV1000 \$854.44 A

### Recommendation:

We recommend using the motor spool control valve or a suitable equivalent. The lack of such a valve in the circuit may cause failure to the hydraulic motor.



## CENTRIFUGAL PUMPS



GAS ENGINE DRIVEN			
PART#	ENGINE	PUMP	PRICE
32406H	6.5HP Honda	2" Cast, Wet Seal	\$1,400.00 Y
335013H	13HP Electric Start Honda	3" Cast, Wet Seal	\$2,550.00 Y
335013H-FLG	13HP Electric Start Honda	3" Cast, Wet Seal, Flanged	\$2,550.00 Y



ELECTRIC DRIVEN			
PART#	ENGINE	PUMP	PRICE
S-3220-E501	Single Phase, 5HP	2" Cast, Wet Seal	\$1,800.00 Y
S-3220-E5T3	3 Phase, 5HP	2" Cast, Wet Seal	\$1,800.00 Y
SP-3340-E10TB-1	Single Phase, 10HP	3" Cast, Wet Seal	\$3,800.00 Y
334010EW	3 Phase, 10HP	3" Cast, Wet Seal	\$2,800.00 Y

## PISTON PUMPS

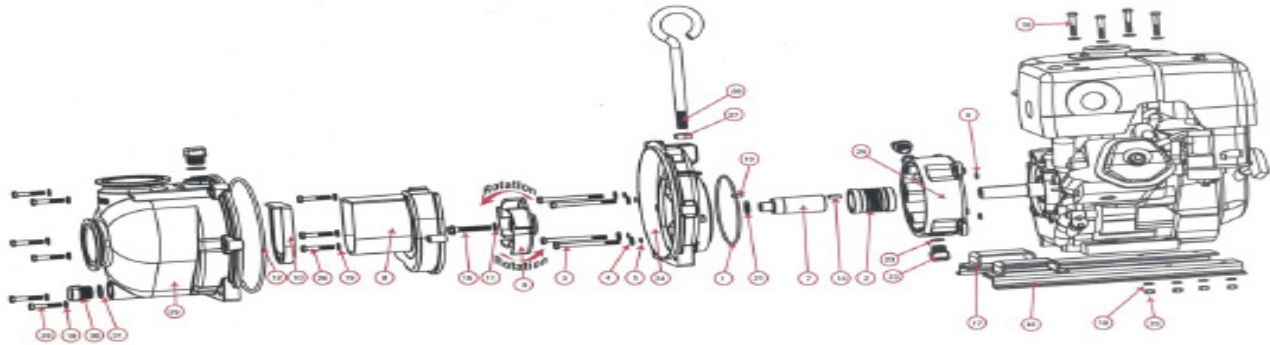


PART#	DESCRIPTION	PRICE
NGP6055-FLG	Single Piston, 21 GPM, Flanged (220)	\$1,700.00 Y
NGP7055-FLG	Single Piston, 34 GPM, Flanged (220)	\$2,000.00 Y
DRV3300	Ground Drive w/Pump Mount	\$1,950.00 Y

## M332 Manifold Wet Seal Series Pumps



PART#	DESCRIPTION	PRICE
M332PIH13W	3" Manifold Cast Iron Wet Seal Pump w/13 HP Honda Engine	3,057.15 A
M332PIE10W	3" Manifold Cast Iron Wet Seal Pump w/10 HP Three Phase Electric Motor	3,014.10 A
M332PIE101W	3" Manifold Cast Iron Wet Seal Pump w/10 HP Single Phase Electric Motor	4,031.35 A



PARTS M332 WET SEAL CAST IRON					PARTS M332 WET SEAL CAST IRON				
REF #	DESCRIPTION	REQ	PART#	PRICE	REF #	DESCRIPTION	REQ	PART#	PRICE
1	O-Ring	1	13719	3.10 D	16	Z-Rail	1	18135B	N/A
2	Mechanical Seal Assembly	1	15035E	269.98 D	17	Z-Rail	1	18135A	N/A
3	5/16" - 24 x 3-3/4" HHCS	4	13034	11.46 D	18	5/16" - 18 x 1-3/4" HHCS	4	17029	N/A
4	5/16" Flat Washer	8	12901	1.06 D	19	5/16" Lock Washer	13	V10118	1.22 D
5	O-Ring for Bracket Screw	4	12717	1.06 D	20	5/16" Hex Nut	4	V10119	1.22 D
6	O-Ring	4	12709	1.06 D	21	Gasket	2	CV10175	1.82 D
7	Adapter Shaft	1	13055	144.88 D	22	Prime/Drain Plug	2	12777	3.41 D
8	Volute	1	19702	140.61 D	23	O-Ring	2	UV15163	1.18 D
9	5 Vane Impeller	1	19772	97.15 D	24	Rear Bracket	1	19703W	197.82 D
10	Check Valve	1	12705	18.64 D	25	Wet Seal Reservoir	1	19201W	151.88 D
11	Impeller Bolt Gasket	1	12774VA	1.88 D	26	5/16" - 24 x 1-3/4" HHCS	9	12715A	4.37 D
12	Body O-Ring	1	12719A	16.49 D	27	5/8" - 11 Jam Nut	1	18034	5.29 D
13	Impeller Key	1	12902A	2.11 D	28	Pump Handle	1	18033	27.64 D
14	1/4" sq x 3/4" Key Stock	1	16901	5.24 D	29	Pump Body	1	M19712X	281.22 D
15	3/8" - 24 x 2-1/4" HFS	1	13766	4.95 D	30	3/4" Drain Plug	2	13777	5.24 D
					31	O-Ring	2	13778	2.23 D

# HYPRO ROLLER PUMPS



1500 SERIES



1700 SERIES



4001 SERIES



4101 SERIES



6500 SERIES



7500 SERIES

**FEATURES:**

CAST IRON, NI-RESIST OR SILVER-CAST CONSTRUCTION.  
 POSITIVE DISPLACEMENT PUMPS FOR MOST  
 AGRICULTURAL CHEMICAL TRANSFER & SPRAYING



7700 SERIES

MODEL	MAX GPM	MAX PSI	MAX RPM	DESCRIPTION	PRICE
1502C	62	200	1000	CAST IRON, 6-ROLLER PUMP WITH SUPER ROLLERS, BUNA N SEALS, 1-1/2" NPT PORTS & 15/16" SOLID SHAFT	1,012.48 D
1502N	62	200	1000	NI-RESIST, 6-ROLLER PUMP WITH SUPER ROLLERS, BUNA N SEALS, 1-1/2" NPT PORTS & 15/16" SOLID SHAFT	DISCONTINUED
1502XL	62	200	1000	SILVERCAST, 6-ROLLER PUMP WITH SUPER ROLLERS, BUNA N SEALS, 1-1/2" NPT PORTS & 15/16" SOLID SHAFT	2,303.47 D
1700C	45	200	1000	CAST IRON, 5-ROLLER PUMP WITH SUPER ROLLERS, VITON SEALS, 1" NPT PORTS & 15/16" SOLID SHAFT	659.62 D
1700N	45	200	1000	NI-RESIST, 5-ROLLER PUMP WITH SUPER ROLLERS, VITON SEALS, 1" NPT PORTS & 15/16" SOLID SHAFT	DISCONTINUED
1700XL	45	200	1000	SILVERCAST 5-ROLLER PUMP WITH SUPER ROLLERS, VITON SEALS, 1" NPT PORTS & 15/16" SOLID SHAFT	1,838.62 D
4001C	9	150	1800	CAST IRON, 4-ROLLER PUMP WITH SUPER ROLLERS, VITON SEALS, 3/4" NPT PORTS & 5/8" SOLID SHAFT	318.96 D
4001N-EH	10.4	30	1900	12V MOTOR DRIVEN, NI-RESIST, 4-ROLLER PUMP WITH SUPER ROLLERS, VITON SEALS, 3/4" PORTS & 1/2" HOLLOW SHAFT	1,178.70 D
4101C	7	150	2600	CAST IRON, 4-ROLLER PUMP WITH SUPER ROLLERS, VITON SEALS, 3/4" NPT PORTS & 5/8" SOLID SHAFT	294.53 D
4101N-EH	7.5	50	1900	12V MOTOR DRIVEN, NI-RESIST, 4-ROLLER PUMP WITH SUPER ROLLERS, VITON SEALS, 3/4" PORTS & 1/2" HOLLOW SHAFT	1,162.10 D
6500C	22	300	1200	CAST IRON, 6-ROLLER PUMP WITH SUPER ROLLERS, VITON SEALS, 3/4" NPT PORTS & 5/8" SOLID SHAFT	318.96 D
6500N	22	300	1000	NI-RESIST, 6-ROLLER PUMP WITH SUPER ROLLERS, VITON SEALS, 3/4" NPT PORTS & 5/8" SOLID SHAFT	730.46 D
7560C	22	300	1000	CAST IRON, 8-ROLLER PUMP WITH SUPER ROLLERS, VITON SEALS, 3/4" NPT PORTS & 15/16" SOLID SHAFT	416.68 D
7560N	22	300	1000	NI-RESIST, 8-ROLLER PUMP WITH SUPER ROLLERS, VITON SEALS, 3/4" NPT PORTS & 15/16" SOLID SHAFT	828.70 D
7700C	22.4	200	800	CAST IRON, 7-ROLLER PUMP WITH SUPER ROLLERS, VITON SEALS, 3/4" NPT PORTS & 15/16" SOLID SHAFT	423.46 D
7700N	22.4	200	800	NI-RESIST, 7-ROLLER PUMP WITH SUPER ROLLERS, VITON SEALS, 3/4" NPT PORTS & 15/16" SOLID SHAFT	DISCONTINUED



## HYPRO PTO ADAPTERS

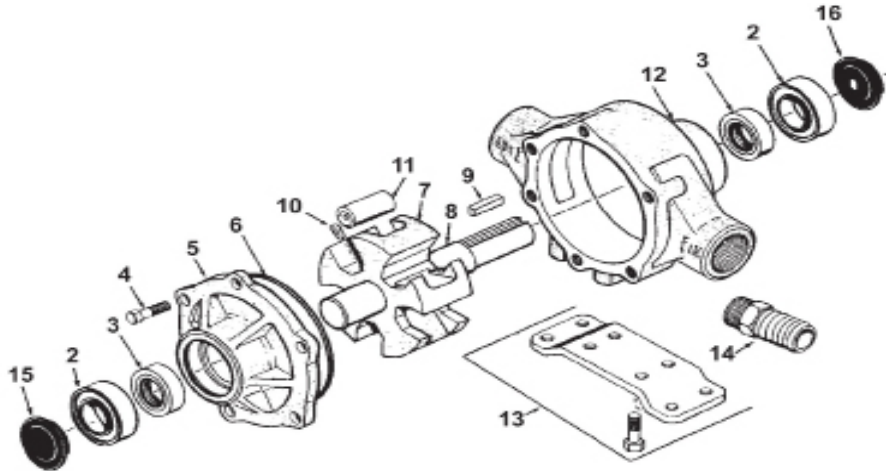


**HYPRO HEAVY DUTY PTO COUPLERS DESIGNED TO QUICKLY ATTACH ROLLER PUMPS SECURELY TO PTO SHAFTS.  
MODELS FOR BOTH 540 & 1000 RPM PTO SHAFTS.**

PTO (IN)	QUICK DISCONNECT				PRICE
	RPM	SHAFT DIA (IN)	PART #	FITS PUMP	
1-3/8"	540	5/8"	1321-0006	6500	77.99 R
1-3/8"	540	15/16"	1321-0007	1502, 1700, 7560, 7700	84.46 R
<b>1-3/8"</b>	<b>1000</b>	<b>5/8"</b>	<b>1321-0008</b>	<b>6500</b>	DISCONTINUED 72.02 S
1-3/8"	1000	15/16"	1321-0009	1502, 1700, 7560	92.63 R
1-3/8"	MULTI	5/8"	1321-0012	6500	77.99 R
1-3/8"	MULTI	15/16"	1321-0013	1502, 1700, 7560, 7700	83.11 R
PTO (IN)	STANDARD				PRICE
	RPM	SHAFT DIA (IN)	PART #	FITS PUMP	
1-3/8"	540	5/8"	1320-0022	6500	41.88 R
1-3/8"	540	15/16"	1320-0076	1500, 1700, 7560, 7700	76.99 R
1-3/8"	540	5/8"	1320-0077	6500	74.25 R
1-3/8"	1000	15/16"	1320-0078	1500, 1700, 7560	73.56 R
1-3/8"	1000	5/8"	1320-0079	4000, 6500	56.53 R
1-3/4"	1000	15/16"	1320-0080	1500, 1700, 7560	107.61 R
1-3/8"	540	1"	1320-0081	1200	111.71 R

\* DISCONTINUED - LIMITED QUANTITIES

# HYPRO ROLLER PUMP REPAIR PARTS



**1500 SERIES**

**1700 SERIES**

1500 SERIES				
Ref No.	Qty Req'd	Part Number	Description	Price
2	2	2008-0001	Sealed Ball Bearing	21.89 R
3	2	2112-0001	Buna-N Seal (Std)	22.07 R
3	2	2112-0003	Viton Seal	24.14 R
4	6	2210-0026	Bolt	1.46 R
5	1	*0200-1500C	*Endplate (Cast Iron) w/Seal	N/A
5	1	*0200-1500N	*Endplate (Ni-Resist) w/Seal	N/A
5	1	*0200-1500X	*Endplate (SilverCast) w/Seal	N/A
6	1	1720-0003	O-ring Gasket for Endplate	4.28 R
7	1	0300-1502C	Rotor (Cast Iron) w/Shaft (Std)	414.13 R
7	1	*0300-1502N	*Rotor (Ni-Resist) w/Shaft (Std)	N/A
7	1	*0300-1502X	*Rotor (SilverCast) w/Shaft (Std)	N/A
7A	1	0301-1502C	Rotor (Cast Iron) w/Shaft (Rev)	418.24 R
7A	1	*0301-1502N	*Rotor (Ni-Resist) w/Shaft (Rev)	N/A
7A	1	0301-1502X	Rotor (SilverCast) w/Shaft (Rev)	1,224.69 R
8	1	0500-1502	Shaft Only	91.94 R
9	1	1610-0005	Key	2.36 R
10	1	2230-0018	Set Screw	1.11 R
11	6	1005-0005	Super Roller (Std)	11.74 R
12	1	*0100-1500C	*Body (Cast Iron) w/Seal	N/A
12	1	*0100-1500N	*Body (Ni-Resist) w/Seal	N/A
12	1	*0100-1500X	*Body (SilverCast) w/Seal	N/A
13	1 kit	3420-0004	Base Kit Includes: (1) Base, (4) Bolts, (4) Lockwashers	125.19 R
15	1	2300-0020	Bearing Cover	2.14 R
16	1	2300-0022	Shaft Bearing Cover	2.14 R

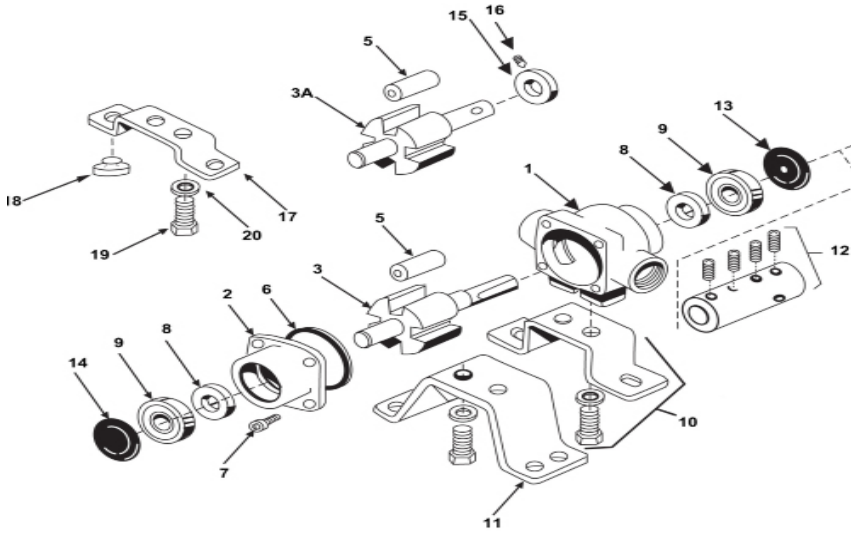
1700 SERIES				
Ref No.	Qty Req'd	Part Number	Description	Price
2	2	2008-0001	Sealed Ball Bearing	21.89 R
3	2	2112-0001	Buna-N Seal (Std)	22.07 R
3	2	2112-0003	Viton Seal	24.14 R
4	6	2210-0005	Bolt	1.09 R
5	1	*0200-1700C	*Endplate (Cast Iron) w/Seal	N/A
5	1	*0200-1700N	*Endplate (Ni-Resist) w/Seal	N/A
5	1	*0200-1700X	*Endplate (SilverCast) w/Seal	N/A
6	1	1720-0099	O-ring Gasket for Endplate	2.95 R
7	1	0300-1700C	Rotor (SilverCast) w/Shaft (Std)	277.90 R
7	1	*0300-1700N	*Rotor (Ni-Resist) w/Shaft (Std)	N/A
7	1	*0300-1700X	*Rotor (SilverCast) w/Shaft (Std)	818.72 R
7A	1	0301-1700C	Rotor (SilverCast) w/Shaft (Rev)	267.02 R
7A	1	*0301-1700N	*Rotor (Ni-Resist) w/Shaft (Rev)	N/A
7A	1	0301-1700X	Rotor (SilverCast) w/Shaft (Rev)	818.72 R
8	1	0500-1502	Shaft Only	91.94 R
9	1	1610-0005	Key	2.36 R
10	1	2230-0018	Set Screw	1.11 R
11	5	1005-0005	Super Roller (Std)	11.74 R
12	1	*0100-1700C	*Body (Cast Iron) w/Seal	N/A
12	1	*0100-1700N	*Body (Ni-Resist) w/Seal	N/A
12	1	*0100-1700X	*Body (SilverCast) w/Seal	N/A
13	1 kit	3420-0004	Base Kit Includes: (1) Base, (4) Bolts, Lockwashers	125.19 R
14	1	BHB114	1-1/4" Hose Barb	2.72 D
15	1	2300-0020	Bearing Cover	2.14 R
16	1	2300-0022	Shaft Bearing Cover	2.14 R

\* DISCONTINUED - LIMITED QUANTITIES



# HYPRO ROLLER PUMP REPAIR PARTS

## 4000 SERIES



**REPAIR PARTS KIT:**

CONSISTS OF::

(4) REF 5 SUPER ROLLERS

(1) REF 6 O-RING GASKET

(2) REF 8 VITON SEALS

**PART# 3430-0390 \$53.12 R**

4001					4101				
Ref #	Qty	Part #	Description	Price	Ref #	Qty	Part #	Description	Price
1	1	*0100-4001C	*Body (Cast Iron) w/Std Seal	N/A	1	1	*0100-4101C	*Body (Cast Iron) w/Std Seal	N/A
1	1	*0100-4001N	*Body (Ni-Resist) w/Std Seal	N/A	1	1	*0100-4101N	*Body (Ni-Resist) w/Std Seal	N/A
2	1	*0200-4001C	*Endplate (Cast Iron) w/Std Seal	N/A	2	1	*0200-4101C	*Endplate (Cast Iron) w/Std Seal	N/A
2	1	*0200-4001N	*Endplate (Ni-Resist) w/Std Seal	N/A	2	1	*0200-4101N	*Endplate (Ni-Resist) w/Std Seal	N/A
3	1	*0300-4001C	*Rotor (Cast Iron)/Shaft Assmby	N/A	3	1	*0300-4101C	*Rotor (Cast Iron)/Shaft Assmby	N/A
3	1	3430-0765	Rotor (Ni-Resist)/Shaft/Key	141.68 R	3	1	3430-0766	Rotor (Ni-Resist)/Shaft/Key	170.29 R
3A	1	3430-0780	Kit Hollow Shaft	140.31 R	3A	1	3430-0781	Kit Hollow Shaft	163.47 R
5	4	1005-0002	Super Rollers (Std)	5.60 R	5	4	1005-0002	Super Rollers (Std)	5.60 R
6	1	1720-0104	O-ring Gasket for Endplate	1.39 R	6	1	1720-0104	O-ring Gasket for Endplate	1.39 R
7	4	2220-0018	Endplate Screw	1.31 R	7	4	2220-0018	Endplate Screw	1.31 R
8	2	2107-0002	Viton Seal (Std)	15.23 R	8	2	2107-0002	Viton Seal (Std)	15.23 R
9	2	2000-0010	Ball Bearing	14.78 R	9	2	2000-0010	Ball Bearing	14.78 R
10	1	3420-0024	Base Kit (3-1/2" shaft centerline)	61.31 R	10	1	3420-0024	Base Kit (3-1/2" shaft centerline)	61.31 R
11	1	*3420-0025	*Base Kit (4-3/16" shaft centerline)	N/A	11	1	*3420-0025	*Base Kit (4-3/16" shaft centerline)	N/A
12	1 kit	1320-0016	Adapter w/screws (5/8" x 5/8")	57.21 R	12	1 kit	1320-0016	Adapter w/screws (5/8" x 5/8")	57.21 R
12	1 kit	1320-0015	Adapter (5/8" x 3/4")	58.57 R	12	1 kit	1320-0015	Adapter (5/8" x 3/4")	58.57 R
13	1	2300-0023	Shaft Bearing Cover	2.24 R	13	1	2300-0023	Shaft Bearing Cover	2.24 R
14	1	2300-0021	Bearing Cover	2.14 R	14	1	2300-0021	Bearing Cover	2.14 R
15	1	1420-0001	Locking Collar	8.69 R	15	1	1420-0001	Locking Collar	8.69 R
16	1	2230-0001	Set Screw	2.78 R	16	1	2230-0001	Set Screw	2.78 R
17	1	1510-0054	Base	20.21 R	17	1	1510-0054	Base	20.21 R
18	2	1450-0003	Bumper	2.00 R	18	2	1450-0003	Bumper	2.00 R
19	2	2210-0003	Bolt	1.41 R	19	2	2210-0003	Bolt	1.41 R
20	2	2260-0002	Lock Washer	1.39 R	20	2	2260-0002	Lock Washer	1.39 R

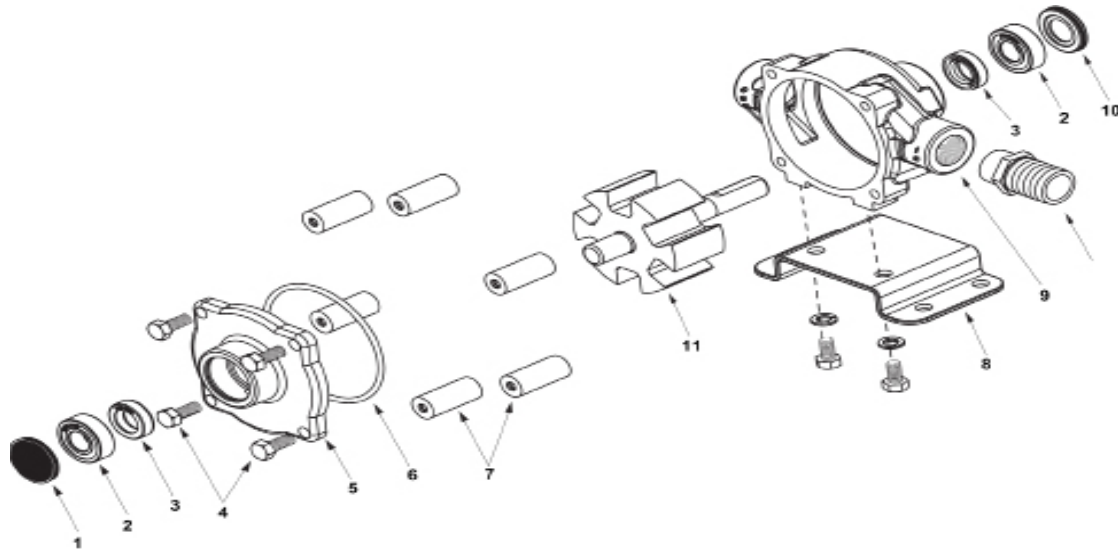
\* DISCONTINUED - LIMITED QUANTITIES



# HYPRO ROLLER PUMP REPAIR PARTS



## 6500 SERIES



### REPAIR PARTS KIT

CONSISTS OF:

(6) REF 7 SUPER ROLLER

(1) REF 6 O-RING

(2) REF 3 VITON SEALS

**PART# 3430-0380 \$62.66 R**

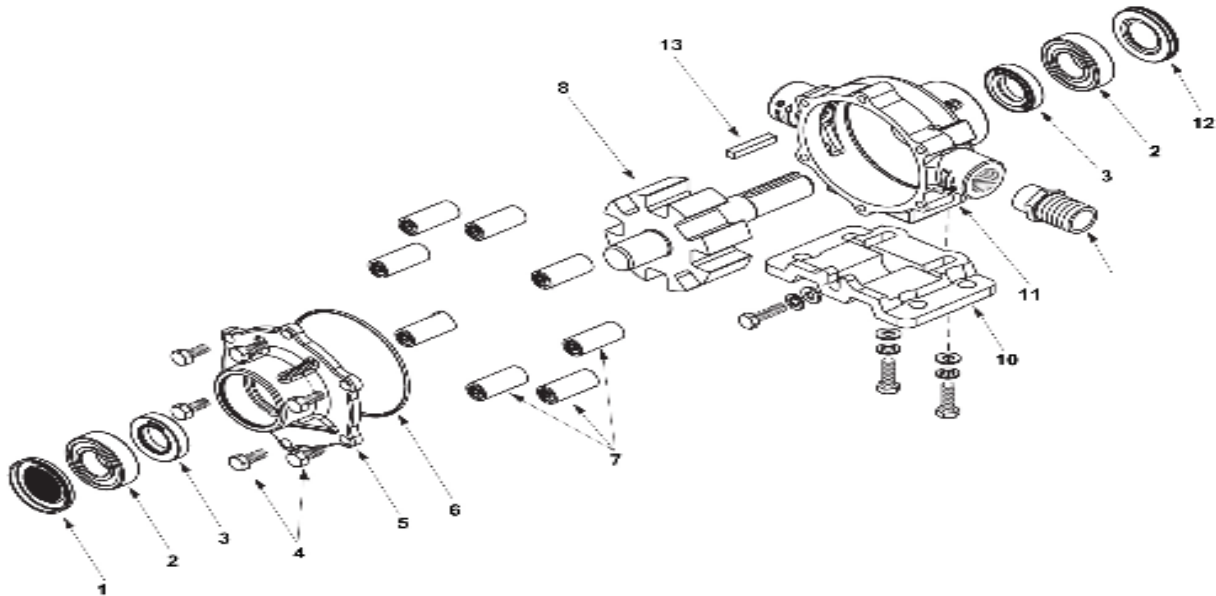
Ref #	Req'd	Part #	Description	Price
1	1	2300-0021	Bearing Cover	2.14 R
2	2	2000-0010	Sealed Ball Bearing	14.78 R
3	2	2107-0002	Viton Seal (Std)	15.23 R
4	4	2210-0004	Bolts	1.31 R
5	1	0200-6600C	Endplate (Cast Iron) w/Seal	86.86 R
5	1	*0200-6600N	*Endplate (Ni-Resist) w/Seal	N/A
6	1	1720-0008	O-ring Gasket for Endplate	2.19 R
7	6	1005-0004	Super Roller (Std)	5.36 R
8	1 kit	3420-0023	Base Kit: (1) Base, (2) Bolts, (2) Washers	52.11 R
9	1	*0100-6600C	*Body (Cast Iron) w/Seal	N/A
9	1	0100-6600N	Body (Ni-Resist) w/Seal	487.70 R
	1	BHB100	1" Hose Barb	1.86 D
10	1	2300-0023	Shaft Bearing Cover	2.24 R
11	1	*0300-6600C	*Rotor Assembly (Cast Iron)	N/A
11	1	3430-0767	Rotor Assembly (Ni-Resist)	280.61 R

\* DISCONTINUED - LIMITED QUANTITIES



# HYPRO ROLLER PUMP REPAIR PARTS

## 7560 SERIES



**REPAIR PARTS KIT**  
 CONSISTS OF:  
 (8) REF 7 SUPER ROLLERS  
 (1) REF 6 O-RING  
 (2) REF 3 VITON SEALS  
**PART# 3430-0381 \$89.58 R**

**REPAIR PARTS KIT**  
 CONSISTS OF:  
 (8) REF 7 POLYPROPYLENE ROLLERS  
 (1) REF 6 O-RING  
 (2) REF 3 VITON SEALS  
**PART# 3430-0167 \$84.46 R**

Ref #	Req'd	Part #	Description	Price
1	1	2300-0020	Bearing Cover	2.14 R
2	2	2008-0001	Sealed Ball Bearing	21.89 R
3	2	2112-0003	Viton Seal (Std)	24.14 R
4	6	2210-0004	Bolt	1.31 R
5	1	0204-7500C	Endplate (Cast Iron) with Seal	114.43 R
5	1	*0204-7500N	*Endplate (Ni-Resist) with Seal	N/A
6	1	1720-0014	O-ring Gasket for Endplate	3.24 R
7	8	1005-0004	Super Roller (Std)	5.36 R
8	1	3430-0745	Roto Assembly (Std, N & XL)	316.05 R
10	1 kit	3420-0003	Base Kit-Includes: (1) Base, (3) Bolts, (3) Washers	81.74 R
11	1	*0104-7500C	*Body (Cast Iron) with Seal	N/A
11	1	*0104-7500N	*Body (NiResist) with Seal	N/A
12	1	2300-0022	Shaft Bearing Cover	2.14 R
13	1	1610-0005	Key	2.36 R
13	1	1610-0059	Key (Stainless Steel)	6.53 R

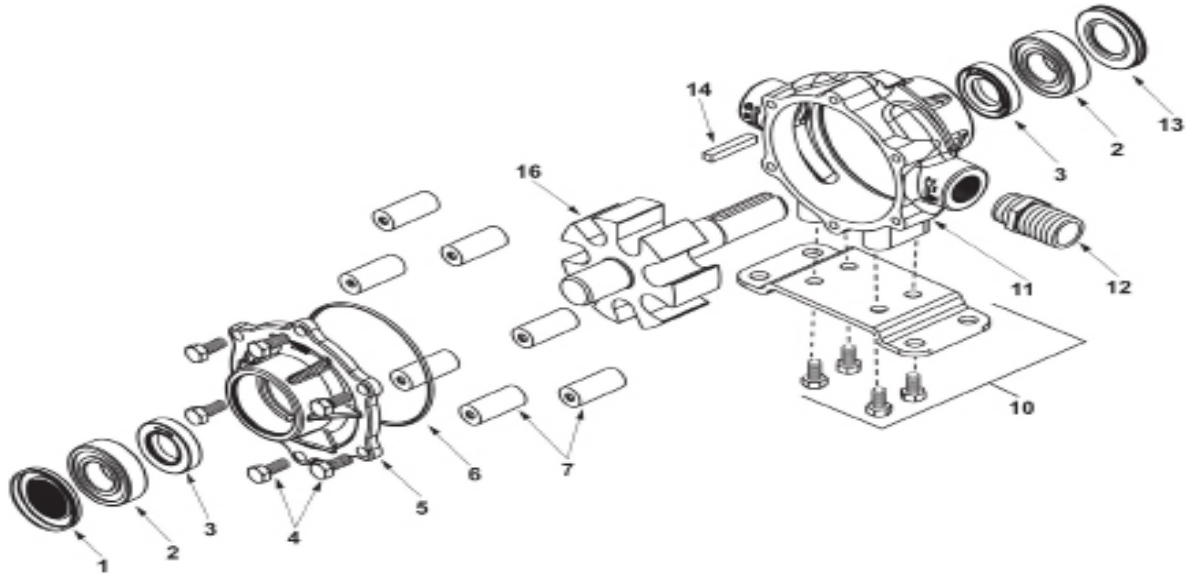
\* DISCONTINUED - LIMITED QUANTITIES



# HYPRO ROLLER PUMP REPAIR PARTS



## 7700 SERIES



### REPAIR PARTS KIT

CONSISTS OF:

- (8) REF 7 SUPER ROLLERS
- (1) REF 6 O-RING
- (2) REF 3 VITON SEALS

**PART# 3430-0384 \$84.12 R**

### REPAIR PARTS KIT

CONSISTS OF:

- (8) REF 7 POLYPROPYLENE ROLLERS
- (1) REF 6 O-RING
- (2) REF 3 VITON SEALS

**PART# 3430-0167 \$84.46 R**

Ref #	Req'd	Part #	Description	Price
1	1	2300-0020	Bearing Cover	2.14 R
2	2	2008-0001	Sealed Ball Bearing	21.89 R
3	2	2112-0003	Viton Seal (std)	24.14 R
4	6	2210-0004	Bolts	1.31 R
5	1	0200-7700C	Endplate (Cast Iron) with Seal	N/A
5	1	0200-7700N	Endplate (Ni-Resist) with Seal	N/A
6	1	1720-0014	O-ring Gasket for Endplate	3.24 R
7	7	1005-0004	Super Roller (Std)	5.36 R
10	1	3420-0010	Base Kit Includes: (1) Base, (4) Bolts	82.43 R
11	1	*0100-7700C	*Body (Cast Iron) with Seal	N/A
11	1	*0100-7700N	*Body (Ni-Resist) with Seal	N/A
12	1	BHB100	Shaft Bearing Cover	1.86 D
13	1	2300-0022	Shaft Bearing Cover	2.14 R
14	1	1610-0005	Key	2.36 R
16	1	*0300-7700C	*Rotor Assembly (Cast Iron)	N/A
16	1	*0300-7700N	*Rotor Assembly (Ni-Resist)	N/A

\* DISCONTINUED - LIMITED QUANTITIES

# HYPRO SERIES 9200 PEDESTAL PUMPS

**HYPRO PEDESTAL PUMPS OFFER  
INSTALLATION VERSATILITY. THE PEDESTAL  
MOUNTING BASE CAN BE USED FOR DIRECT  
DRIVE OR BELT AND PULLEY DRIVE WITH  
GAS OR ELECTRIC MOTORS ALSO AVAILABLE  
WITH ELECTRIC CLUTCH**



**9202C**



**9203C**

**HYPRO CAST IRON PEDESTAL PUMP OUTLET CAN  
BE ROTATED TO FOUR DIFFERENT POSITIONS. CAST  
IRON MODELS ARE EPOXY COATED WITH SOLID  
STAINLESS STEEL SHAFTS, FACTORY LUBRICATED  
BEARINGS AND NYLON IMPELLERS.**

**HYPRO POLYPROPYLENE  
PEDESTAL PUMPS ARE  
MANUFACTURED FROM GLASS-FILLED  
POLYPROPYLENE WITH SOLID STAINLESS  
STEEL SHAFTS AND VITON SEALS STANDARD.**

PART NUMBER	MAX GPM	MAX PSI	MAX RPM	CAST IRON & POLY PEDESTAL PUMP DESCRIPTION	PRICE
9202C	105	170	6000	Pedestal mount, cast iron pump with 5/8" solid shaft and Viton shaft seal. 1-1/4" inlet, 1" outlet NPT ports.	749.08 D
9203C	140	170	6000	Pedestal mount, cast iron pump with 5/8" solid shaft and Viton shaft seal. 1-1/2" inlet, 1-1/4" outlet NPT ports.	758.32 D
9203C-R	140	170	6000	Pedestal mount, clockwise rotation cast iron pump with 5/8" solid shaft and Viton shaft seal. 1-1/2" inlet, 1-1/4" outlet NPT ports.	776.78 D
9205C	180	190	4200	Pedestal mount, cast iron pump with 7/8" solid keyed shaft and Viton shaft seal. 2" inlet, 1-1/2" outlet NPT ports.	1,901.72 D
9203P-S	100	80	4200	Pedestal mount, poly pump designed for direct drive or belt & pulley with an electric or gas motor, 7/8" solid keyed stainless shaft. 1-1/2"x1-1/4"	940.30 D
<b>CAST IRON &amp; POLY PEDESTAL PUMP WITH CLUTCH</b>					
9262-C-C	88	124	5000	12v HD clutch with 5" diameter, counterclockwise rotation cast iron pump with A-section pulley. 1-1/4" inlet, 1" outlet NPT ports.	1,423.00 D
9263-C-C	140	124	5000	12v HD clutch with 5" diameter, counterclockwise rotation cast iron pump with A-section pulley. 1-1/2" inlet, 1-1/4" outlet NPT ports.	1,429.59 D
9263C-CR	140	124	5000	12v HD clutch with 5" diameter, clockwise rotation cast iron pump with A-section pulley. 1-1/2" inlet, 1-1/4" outlet NPT ports.	1,445.42 D
<b>REPLACEMENT CLUTCHES</b>					
2526-0011			5000	FITS: 9203P, 9253P-C, 9500P-S, 9205C, 9205C-SP	1,529.84 D

# CAST AND POLY MODELS

## HYPRO SERIES 9300 HYDRAULIC DRIVE PUMPS



**9303C**



**9303P**



**9306C**

PART NUMBER	MAX GPM	MAX PSI	HYDRAULIC DRIVE CAST IRON & POLY PUMPS	
			DESCRIPTION	PRICE
9303C-HM1C	114	130	13 gpm hydraulic motor/CAST IRON pump for open/closed system NPT threaded ports, 1-1/2" inlet, 1-1/4" outlet	1,681.47 D
9303C-HM2C	97	95	6 gpm hydraulic motor/CAST IRON pump for open/closed system NPT threaded ports, 1-1/2" inlet, 1-1/4" outlet	1,681.47 D
9303C-HM3C	125	98	24 gpm hydraulic motor/CAST IRON pump for open/closed system NPT threaded ports, 1-1/2" inlet, 1-1/4" outlet	1,788.30 D
9303C-HM4C	115	93	7 gpm hydraulic motor/CAST IRON pump for open/closed system NPT threaded ports, 1-1/2" inlet, 1-1/4" outlet	1,681.47 D
9303C-HM5C	147	145	16 gpm hydraulic motor/CAST IRON pump for open/closed system NPT threaded ports, 1-1/2" inlet, 1-1/4" outlet	1,681.47 D
9303C-HM1C-U	114	130	13 gpm hydraulic motor/CAST IRON pump for open/closed system NPT threaded ports, 1-1/2" inlet, 1-1/4" outlet w/220 x 200 flanges	1,754.00 D
9303C-HM4C-U	115	93	7 gpm hydraulic motor/CAST IRON pump for open/closed system NPT threaded ports, 1-1/2" inlet, 1-1/4" outlet w/220 x 200 flanges	1,754.00 D
9303P-HM1C	110	130	13 gpm hydraulic motor/POLY pump for open/closed system NPT threaded ports, 1-1/2" inlet, 1-1/4" outlet	1,756.66 D
9303P-HM2C	82	95	6 gpm hydraulic motor/POLY pump for open/closed system NPT threaded ports, 1-1/2" inlet, 1-1/4" outlet	1,756.66 D
9303P-HM4C	82	84	7 gpm hydraulic motor/POLY pump for open/closed system NPT threaded ports, 1-1/2" inlet, 1-1/4" outlet	1,756.66 D
9303P-HM5C	113	120	16 gpm hydraulic motor/POLY pump for open/closed system NPT threaded ports, 1-1/2" inlet, 1-1/4" outlet	1,756.66 D
9306C-HM1C	207	127	13 gpm hydraulic motor/CAST IRON pump for open/closed system NPT threaded ports, 2" inlet, 1-1/2" outlet	1,950.52 D
9306C-HM5C	212	140	17 gpm hydraulic motor/CAST IRON pump for open/closed system NPT threaded ports, 2" inlet, 1-1/2" outlet	1,950.52 D
9306C-HM5C-BU	212	140	17 gpm hydraulic motor/CAST IRON pump for open/closed system NPT threaded ports, 2" inlet, 1-1/2" outlet (silicon carbide seal)	2,187.91 D
9306C-HM1C-U	207	127	13 gpm hydraulic motor/CAST IRON pump for open/closed system ports 220 x 220 flange	2,021.74 D



# HYPRO DIAPHRAGM PUMPS

HYPRO LOW PRESSURE DIAPHRAGM PUMPS ARE AN EXCELLENT CHOICE FOR A POSITIVE DISPLACEMENT PUMP. AVAILABLE IN A WIDE RANGE FOR GROUND RIGS WHEN SPRAYING HERBICIDES, PESTICIDES AND LIQUID FERTILIZERS. PUMPS LISTED ARE LOW PRESSURE PUMPS. MEDIUM AND HIGH PRESSURE PUMPS ARE ALSO AVAILABLE CALL FOR PRICING.



## 9910-D115 LOW PRESSURE PUMP

PART NUMBER	MAX GPM	MAX PSI	MAX RPM	HYPRO LOW-PRESSURE DIAPHRAGM PUMPS DESCRIPTION	PRICE
9910-D70	19	290	550	2-DIAPHRAGM PUMP 1-1/4" HB INLET, 3/4" HB OUTLET. SELECT SHAFT KIT FOR DESIRED DRIVE.	1,325.00 D
9910-D115	30.1	290	550	3-DIAPHRAGM PUMP 1-1/2" HB INLET, 1" HB OUTLET. SELECT SHAFT KIT FOR DESIRED DRIVE.	1,985.00 D
9910-D135	34.8	290	550	3-DIAPHRAGM PUMP 1-1/2" HB INLET, 1" HB OUTLET. 1-3/8" X 6 SPLINE MALE SHAFT	2,191.40 D
9910-D160	42.5	290	550	4-DIAPHRAGM PUMP 2" HB INLET, 1-1/2" HB OUTLET. 1-3/8" X 6 SPLINE MALE SHAFT	3,280.00 D
9910-D250	66	290	550	6-DIAPHRAGM PUMP 2" HB INLET, 1-1/2" HB OUTLET. 1-3/8" X 6 SPLINE MALE SHAFT	4,305.00 D

## 6 SPLINE AND SOLID SHAFT KITS

1-3/8" 6 SPLINE FEMALE PTO SHAFT KIT		
KIT NUMBER	FITS PUMP MODEL	PRICE
9910-KIT1708	9910-D70 & 9910-D115	290.00 R
KIT INCLUDES FEMALE PTO COUPLER AND RETAINING CLAMP, TORQUE ARM & MTG BRACKET, CHAINS AND NECESSARY HARDWARE		

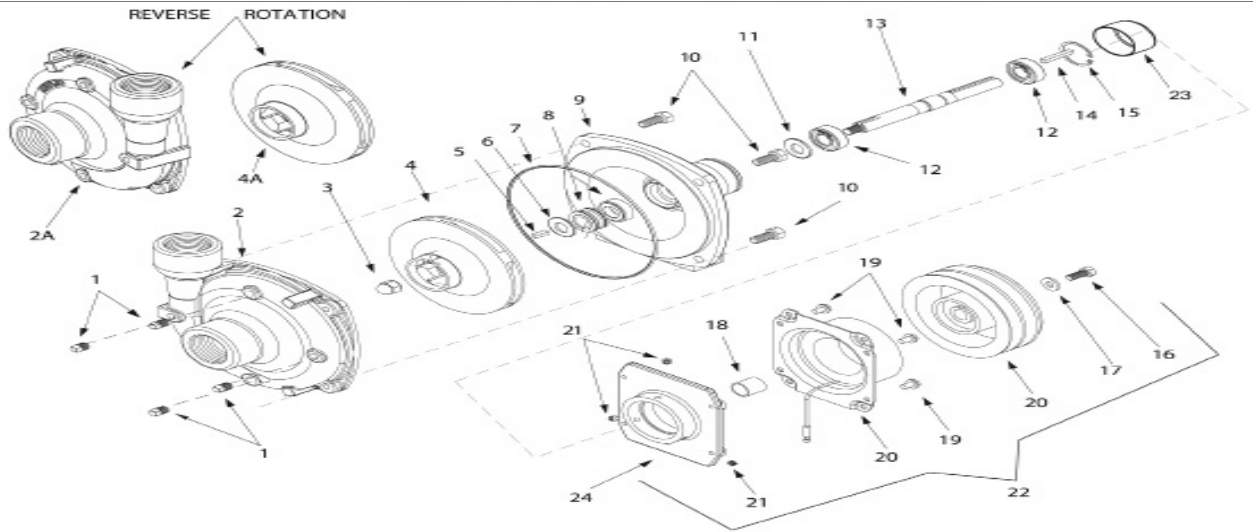
1-3/8" 6 SPLINE MALE PTO SHAFT KIT		
KIT NUMBER	FITS PUMP MODEL	PRICE
9910-KIT1710	9910-D70 & 9910-D115	384.96 R
KIT INCLUDES MALE PTO SHAFT ADAPTER, MTG BRACKET, AND NECESSARY HARDWARE		

1" MALE SOLID SHAFT KIT		
KIT NUMBER	FITS PUMP MODEL	PRICE
9910-KIT1711	9910-D70 & 9910-D115	275.00 R
KIT INCLUDES MALE PTO SHAFT ADAPTER, MTG BRACKET, AND NECESSARY HARDWARE		

# HYPRO CAST IRON PEDESTAL PUMP REPAIR PARTS



## 9202C, 9203C, 9252C, 9253C 9203C-R & 9253C-R

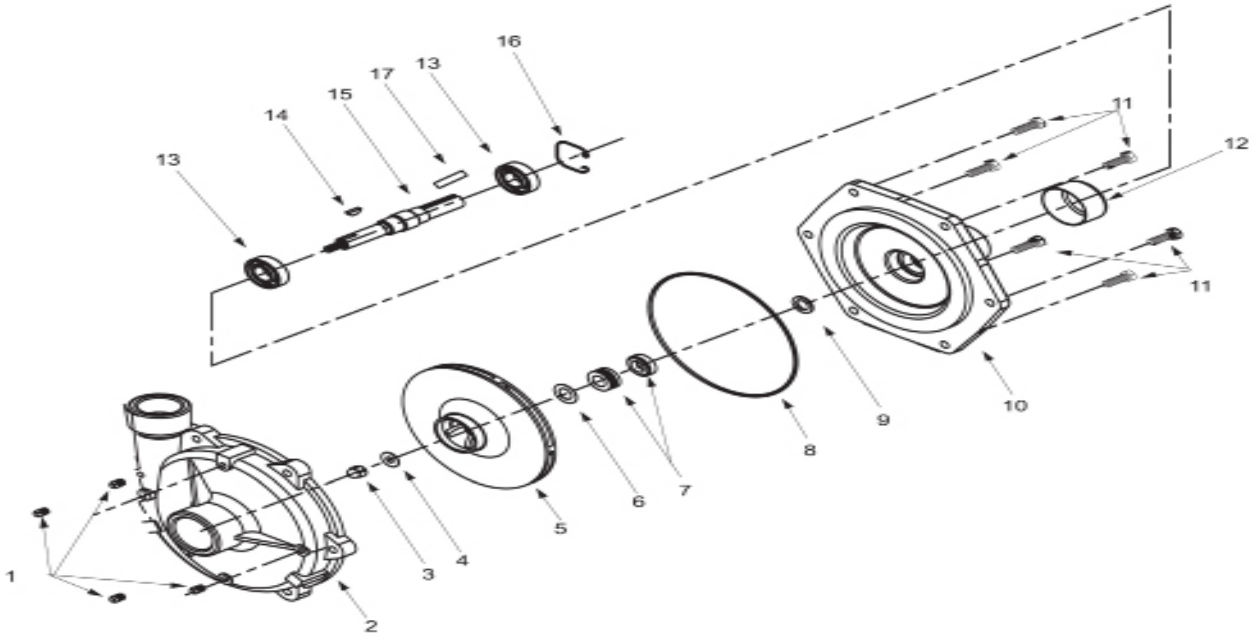


Ref	Qty	Part #	Description	Price
1	4	PLUG18	Drain Plug Poly	0.46 D
2	1	*0150-9000C	Pump Casting DISCONTINUED	306.54 R
2A	1	*0152-9000C	Pump Casting REVERSE - DISCONTINUED	288.74 R
3	1	2253-0002	Impeller Nut	7.94 R
4	1	0402-9100P	Impeller	75.96 R
4A	1	0404-9100P	Impeller (Nyglass) REVERSE	102.84 R
5	1	1610-0015	Key	2.53 R
6	1	1700-0100	Gasket	6.75 R
7	1	1720-0083	O-Ring	4.87 R
8	1	2120-0008	Mechanical Seal	41.88 R
9	1	*0750-9200C3	Mounting Flange	230.23 R
10	4	2210.0020	Bolt	1.31 R
11	1	1410-0056	Slinger Ring	1.80 R
12	2	2000-0010	Ball Bearing	14.78 R
13	1	3430-0844	Pump Shaft	190.71 R
14	1	1600-0004	Key	N/A
15	1	1820-0013	Bearing Retainer	1.72 R
16	1	2210-0003	Bolt	1.41 R
17	1	2270-0092	Retaining Washer	11.38 R
18	1	1410-0107	Spacer	27.87 R
20	1	2526-0012	Clutch, 5" Dia W	939.96 R
21	3	2230-0001	Set Screw	2.78 R
22	1	3430-0592	Clutch Kit	1,116.10 R
25	1	1810-0036	Retaining Ring	7.35 R

\* DISCONTINUED - LIMITED QUANTITIES

# HYPRO CAST IRON PEDESTAL PUMP REPAIR PARTS

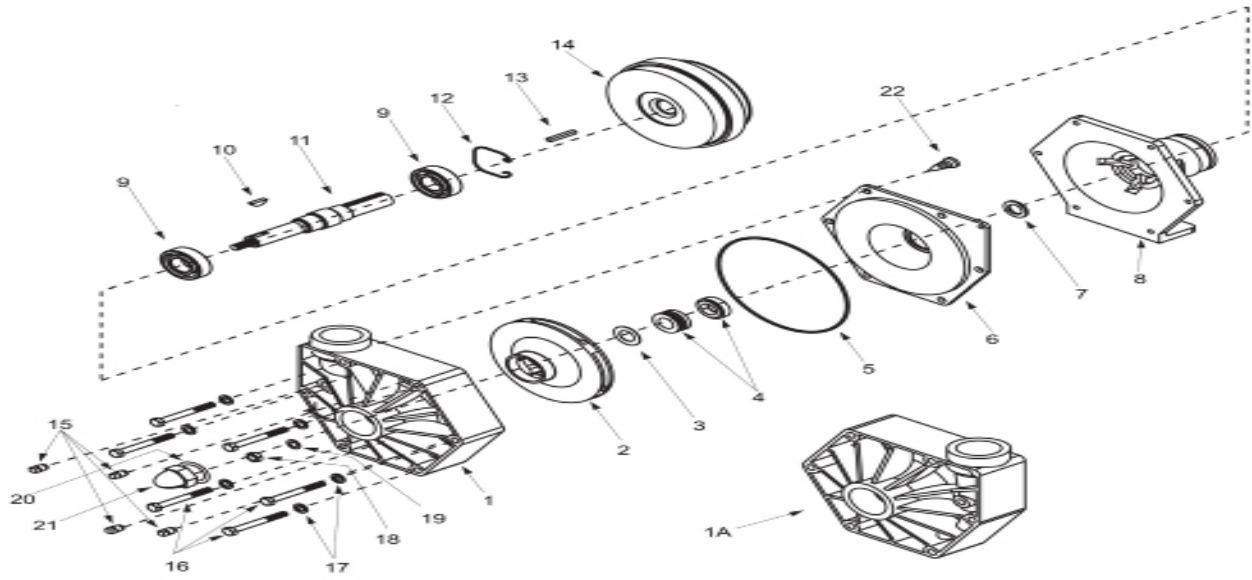
## 9205C



Ref	Qty	Part #	Description	Price
1	4	PL18	Drain Plug Poly	0.46 D
1	4	PL18S	Drain Plug Steel	0.63 D
2	1	0152-9200C	Pump Casing	637.55 R
3	1	2253-0002	Impeller Nut	7.94 R
4	1	2270-0071	Washer	1.72 R
5	1	0403-9200P	Impeller (Nylon)	419.58 R
6	1	1700-0101	Gasket	8.03 R
7	1	3430-0537	Mechanical Seal	74.91 R
8	1	1720-0180	O-ring	6.68 R
9	1	1410-0083	Slinger Ring	2.75 R
10	1	*0751-9200C	*Mounting Flange	558.39 R
11	6	2210-0086	Bolt	1.77 R
12	1	*2300-0035	*Protective Cover	DISCONTINUED
13	2	2008-0001	Bearing	21.89 R
14	1	*1610-0012	*Key	1.75 R
15	1	3430-0846	Shaft Kit	419.58 R
16	1	1820-0025	Bearing Retainer	5.52 R

\* DISCONTINUED - LIMITED QUANTITIES

# HYPRO POLY PEDESTAL PUMP REPAIR PARTS



**9203P-S**

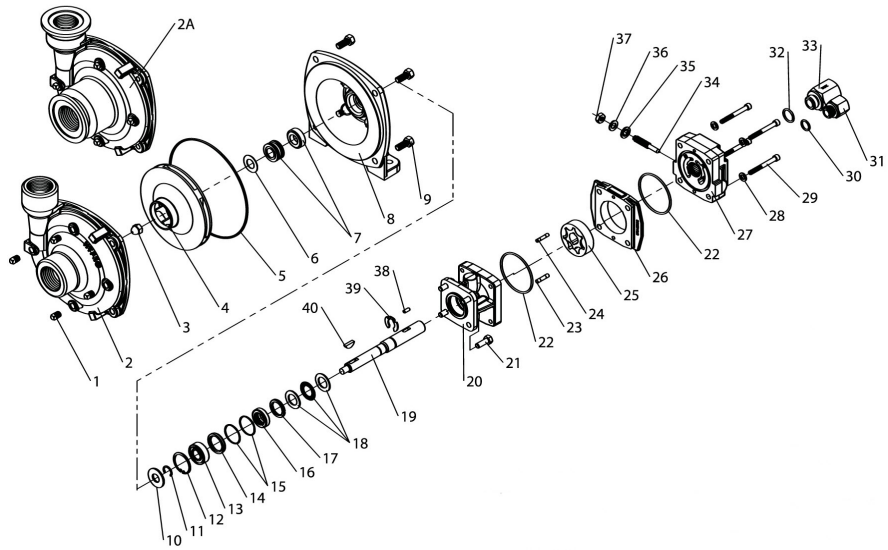
**9500P-S**

Ref	Qty	Part #	Description	Price
1	1	*0700-9000P	*Pump Casing (9203P-S, 9253P-C)	64.55 R
1A	1	0701-9500P	Pump Casing (9500P-S, 9553P-C)	71.18 R
2	1	0403-9000P	Impeller (Poly) 9203P-S, 9253P-C	84.79 R
2A	1	0402-9000P	Impeller (Poly) 9500P-S, 9553P-C	108.30 R
3	1	1700-0101	Gasket	8.03 R
4	1	3430-0333	Mechanical Seal	104.21 R
5	1	1721-0083	O-ring	23.25 R
6	1	0750-9000P	Back Cover (9203P-S, 9253P-C)	30.37 R
6A	1	0700-9500P	Back Cover (9500P-C, 9553P-C)	29.61 R
7	1	1410-0083	Slinger Ring	2.75 R
8	1	0702-9200C	Flange	352.83 R
9	2	2008-0001	Bearing	21.89 R
11	1	3430-0846	Shaft (316 Stainless Steel) Revd	419.58 R
12	1	1820-0025	Retaining Ring	5.52 R
13	1	1610-0004	Key	2.45 R
14	1	2526-0011	Clutch	1,529.84 R
15	4	2406-0016	Plug	11.93 R
16	6	2210-0087	Hex Head Bolt	1.72 R
17	6	2270-0041	Washer	1.49 R
18	1	2250-0051	Jam Nut	2.92 R
19	1	2270-0057	Washer	3.16 R
20	1	1700-0097	Gasket	10.63 R
21	1	2250-0052	Impeller Nut	2.26 R
22	1	2210-0088	Screw	1.49 R

\* DISCONTINUED - LIMITED QUANTITIES

# HYPRO HYDRAULIC PUMP REPAIR PARTS CAST IRON

**9303C-HM1C**  
**9303C-HM2C**  
**9303C-HM3C**  
**9303C-HM4C**  
**9303C-HM5C**



HYDRAULIC MOTOR PART #'S		
PART#	MOTOR	PRICE
2500-0081C	HM1	1,394.97 R
2500-0082C	HM2	1,394.97 R
2500-0083C	HM3	1,633.37 R
2500-0084C	HM4	1,394.97 R
2500-0085C	HM5	1,394.97 R

Ref	Qty	Part #	Description	Price
1	4	PL18	Drain/Vent Plug Poly	0.46 D
2	1	0150-9000C	*Pump Casing	306.54 R
2A	1	0153-9000C	Pump Casing (Universal Flange Model C-U)	339.21 R
3	1	3430-0825	Impeller Nut	40.11 R
4	1	0402-9100P	Impeller	75.96 R
5	1	1720-0083	O-ring	4.87 R
6	1	1700-0100	Rubber Gasket	6.75 R
8	1	0750-9300C	Mounting Flange	180.34 R
9	4	2210-0020	Hex Head Cap Screw	1.31 R
10	1	1410-0056	Slinger Ring	1.80 R
11	1	1810-0014	Snap Ring	1.49 R
12	1	1820-0013	Retainer Ring	1.72 R
13	1	2000-0010	Ball Bearing	14.78 R
14	1	1410-0131	Cartridge, Front	16.49 R
15	2	1720-0268	O-ring	1.93 R
16	1	3430-0748	Lip Seal	124.98 R
17	1	1410-0130	Seal Spacer	9.00 R
18	1	2029-0014	Thrust Bearing Assembly	42.92 R
19	1	3430-0850	Shaft (HM2C & HM4C)	337.84 R
19	1	3430-0852	Shaft (HM1C & HM5C)	245.21 R
19	1	3430-0855	Shaft (HM3C)	435.93 R
20	1	0150-2500C	Motor Body (Includes Needle Bearing)	186.18 R
21	4	2210-0005	Hex Head Cap Screw	1.09 R
22	2	1720-0110	O-ring	1.72 R
23	1	1600-0045	Dowel Pin (HM2C/HM4C)	20.24 R
23	1	1600-0044	Dowel Pin (HM1C/HM5C)	25.48 R
23	1	1600-0052	Dowel Pin (HM3C)	36.36 R
24	1	1600-0042	Dowel Pin (HM2C/HM4C)	20.24 R
24	1	1600-0037	Dowel Pin (HM1C/HM5C)	25.48 R
24	1	1600-0068	Dowel Pin (HM3C)	16.49 R

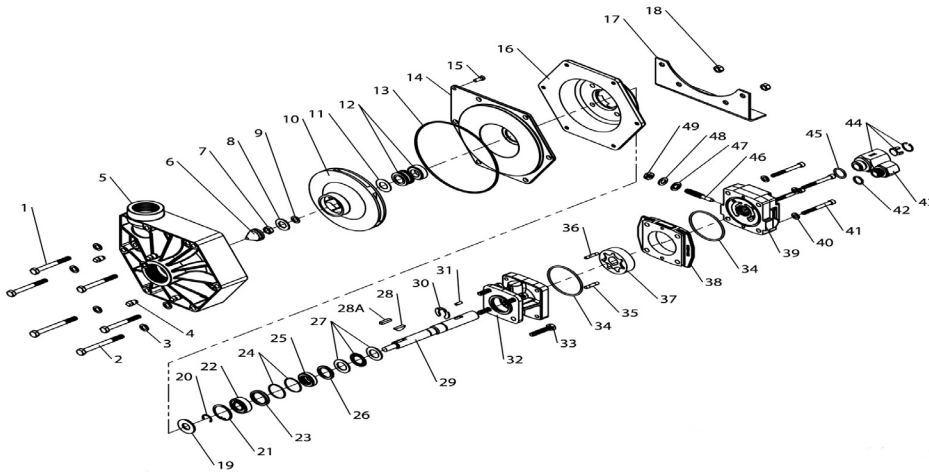
Ref	Qty	Part #	Description	Price
25	1	3900-0022	Gerotor (HM1C)	264.29 R
25	1	3900-0023	Gerotor (HM2C)	239.77 R
25	1	3900-0024	Gerotor (HM3C)	335.13 R
25	1	3900-0025	Gerotor (HM4C)	2600.19 R
25	1	3900-0048	Gerotor (HM5C)	268.38 R
26	1	0701-2500C1	Gerotor Housing (HM2C) 1/4" Wide	249.31 R
26	1	0700-2500C1	Gerotor Housing (HM1C) 1/2" Wide	170.29 R
26	1	0703-2500C1	Gerotor Housing (HM4C) 5/16" Wide	163.47 R
26	1	0702-2500C1	Gerotor Housing (HM3C) 1" Wide	262.92 R
26	1	0704-2500C1	Gerotor Housing (HM5C) 5/8" Wide	208.43 R
27	1	0254-2500C2	Motor Endplate (Includes Needle Bearing)	197.54 R
28	4	2270-0039	Washer	1.43 R
29	4	2220-0045	Cap Screw (HM2C & HM4C)	2.04 R
29	4	2220-0021	Cap Screw (HM1C)	2.57 R
29	4	2220-0044	Cap Screw (HM3C)	4.43 R
29	4	2220-0032	Cap Screw (HM5C)	6.00 R
30	1	1720-0108	O-ring	1.49 R
31	1	3360-0021A	Pressure Port Adapter (includes o-ring)	31.47 R
33	1	3320-0051A	Tank Port Adapter (includes o-ring)	59.26 R
34	1	3220-0029	Bypass Adjusting Screw	12.23 R
35	1	1700-0047	Gasket	5.86 R
36	1	2270-0027	Washer	2.53 R
37	1	2250-0038	Lock Nut	1.43 R
38	1	1610-0032	Roll Pin (HM2C & HM4C)	10.95 R
38	1	1610-0031	Roll Pin (HM1C & HM5C)	6.20 R
38	1	1610-0055	Roll Pin (HM3C)	37.47 R
39	1	1810-0026	Snap Ring	1.50 R
40	1	1610-0012	*Woodruff Key (9303C)	1.75 R

**\* DISCONTINUED - LIMITED QUANTITIES**

# HYPRO HYDRAULIC PUMP REPAIR PARTS POLY



9303P-HM1C  
9303P-HM2C  
9303P-HM3C  
9303P-HM4C  
9303P-HM5C



HYDRAULIC MOTOR PART #'S		
PART#	MOTOR	PRICE
2500-0081C	HM1	1,394.97 R
2500-0082C	HM2	1,394.97 R
2500-0083C	HM3	1,633.37 R
2500-0084C	HM4	1,394.97 R
2500-0085C	HM5	1,394.97 R

Ref	Qty	Part #	Description	Price
1	4	2210-0087	Hex Head Cap Screw	1.72 R
2	2	2210-0016	Hex Head Cap Screw (Base only)	1.77 R
3	6	2270-0041	Washer	1.49 R
5	1	0700-9000P	*Pump Casing	64.55 R
6	1	2250-0052	Impeller Nut	2.26 R
7	1	2250-0051	Jam Nut	2.92 R
8	1	1700-0097	Gasket (viton)	10.63 R
9	1	2270-0057	Washer	3.16 R
10	1	0402-9100P	Impeller	75.96 R
11	1	1700-0100	Rubber Gasket	6.75 R
13	1	1721-0083	O-ring	23.25 R
14	1	0750-9300P	*Cover	28.71 R
15	1	2210-0088	Screw	1.49 R
16	1	0750-9006C	*Intermediate Flange	378.56 R
17	1	1510-0063	*Base Plate	50.09 R
18	2	2250-0008	Hex Nut	2.29 R
19	1	1410-0056	Slinger Ring	1.80 R
20	1	1810-0014	Snap Ring	1.49 R
21	1	1820-0013	Retaining Ring	1.72 R
22	1	2000-0010	Ball Bearing	14.78 R
23	1	1410-0131	Cartridge, Front	16.49 R
24	2	1720-0268	O-ring	1.93 R
26	1	1410-0130	Seal Spacer	9.00 R
27	1	2029-0014	Thrust Bearing Assembly	42.92 R
28A	1	1610-0053	Square Key (only HM3C)	2.53 R
29	1	3430-0850	Shaft (HM2C/HM4C)	337.84 R
29	1	3430-0852	Shaft (HM1C/HM5C)	245.21 R
29	1	3430-0855	Shaft (HM3C)	435.93 R
30	1	1810-0026	Snap Ring	1.50 R
31	1	1610-0032	Roll Pin (HM2C/HM4C)	10.95 R

Ref	Qty	Part #	Description	Price
31	1	1610-0031	Roll Pin (HM1C/HM5C)	6.20 R
31	1	1610-0055	Roll Pin (HM3C)	37.47 R
32	1	0150-2500C	Motor Body (includes needle bearing)	186.18 R
33	4	2210-0021	Hex Head Cap Screw	1.34 R
34	2	1720-0110	O-ring	1.72 R
35	1	1600-0045	Dowel Pin (HM2C/HM4C)	20.24 R
35	1	1600-0044	Dowel Pin (HM1C/HM5C)	25.48 R
35	1	1600-0052	Dowel Pin (HM3C)	36.36 R
36	1	1600-0068	Dowel Pin (HM3C)	16.49 R
36	1	1600-0042	Dowel Pin (HM2C/HM4C)	20.24 R
36	1	1600-0037	Dowel Pin (HM1C/HM5C)	25.48 R
37	1	3900-0022	Gerotor (HM1C)	264.29 R
37	1	3900-0023	Gerotor (HM2C)	239.77 R
37	1	3900-0024	Gerotor (HM3C)	335.13 R
37	1	3900-0025	Gerotor (HM4C)	260.19 R
37	1	3900-0048	Gerotor (HM5C)	268.38 R
38	1	0701-2500C1	Gerotor Housing (HM2C) 1/4" Wide	249.31 R
38	1	0700-2500C1	Gerotor Housing (HM1C) 1/2" Wide	170.29 R
38	1	0703-2500C1	Gerotor Housing (HM4C) 5/16" Wide	163.47 R
38	1	0702-2500C1	Gerotor Housing (HM3C) 1" Wide	262.92 R
38	1	0704-2500C1	Gerotor Housing (HM5C) 5/8" Wide	208.43 R
39	1	0254-2500C2	Motor End Plate (includes needle bearing)	197.54 R
40	4	2270-0039	Washer	1.43 R
41	4	2220-0032	Cap Screw (HM5C)	6.00 R
41	4	2220-0045	Cap Screw (HM2C/HM4C)	2.04 R
41	4	2220-0021	Cap Screw (HM1C)	2.57 R
41	4	2220-0044	Cap Screw (HM3C)	4.43 R
42	1	1720-0108	O-ring	1.49 R
43	1	3360-0021A	Pressure Port Adapter (includes o-ring)	31.47 R
44	1	3320-0051A	Tank Port Adapter (includes o-ring)	59.26 R
46	1	3220-0029	Bypass Adjusting Screw	12.23 R
47	1	1700-0047	Gasket	5.86 R
48	1	2270-0027	Washer	2.53 R
49	1	2250-0038	Lock Nut	1.43 R

\* DISCONTINUED - LIMITED QUANTITIES



# 9306C, 9306S, 93076, 93079, 93100

## John Deere

AN206042 = 9306C-HM5C-B  
 AN206253 = 9306C-HM5C  
 PM9306SHM5C = 9306S-HM5C

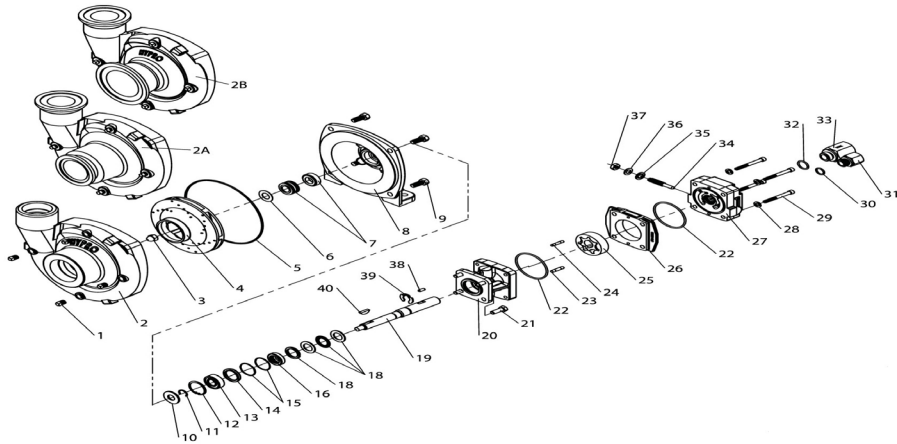
Rogator RG900, RG1100, RG1300  
 9306C-HM5C3U

## Versatile

SX240, SX280 = 9306C-HM5C3U

## HAGIE

691249 = 9306C-HM5C-BU



**HYDRAULIC MOTOR PART #**  
 2500-0081C (HM1C Models) \$1,394.97 R  
 2500-0083C (HM3C Models) \$1,633.37 R  
 2500-0085C (HM5C Models) \$1,394.97 R

**SILICON CARBIDE SEAL KIT**  
 CONSISTS OF:  
 (1) REF 7 MECHANICAL SEAL  
 (1) REF 5 O-RING  
**PART# 3430-0589 \$316.05 R**

**REPAIR PARTS KIT**  
 CONSISTS OF:  
 (1) REF 7 MECHANICAL SEAL  
 (1) REF 5 O-RING  
 (1) REF 6 RUBBER GASKET  
**PART# 3430-0332 \$81.41 R**

**REPAIR PARTS KIT**  
 CONSISTS OF:  
 (1) REF 13 BALL BEARING  
 (1) REF 16 MOTOR SHAFT SEAL  
 (1) REF 35 THREADED SEAL GASKET  
 (2) REF 15 CARTRIDGE SEAL O-RING  
 (1) REF 36 WASHER  
 (2) REF 22 MOTOR HOUSING O-RING  
 (1) REF 30 & 32 PORT ADAPTER O-RINGS  
**PART# 3430-0748 \$124.98 R**

Ref #	Req'd	Part #	Description	Price
1	4	PLUG18	Drain/Vent Plug Poly	0.46 D
1	4	2406-0016	Drain/Vent Plug (9306S)	11.93 R
2	1	0154-9200C1	Pump Casing (9306C) Cast	484.97 R
2	1	0154-9200S1	*Pump Casing (9306S) Stainless Steel	1,013.69 R
2A	1	0157-9200C	Pump Casing (Universal Flange 220x220)	288.80 R
2B	1	0158-9200C	Pump Casing (Universal Flange 300x220 Cast)	602.11 R
2B	1	0158-9200S	Pump Casing (Universal Flange 300x220 S.S.)	1,303.70 R
3	1	2253-0002	Impeller Nut (9306C, 93079)	7.94 R
4	1	0401-9200P2	Impeller (Nylon Std. 9306C, 63079, 93100)	145.76 R
4	1	0407-9306P	Impeller (GXT Optional)	223.42 R
5	1	1720-0083	O-ring	4.87 R
6	1	1700-0100	Gasket, not used with Silicon Carbide Seal	6.75 R
7	1	3430-0589	Mechanical Seal (Silicon Carbide) (Std. 9306S, 93079)	316.05 R
			Sames as John Deere AN206043	
8	1	0750-9300C2	Mounting Flange (9306C, 93079) Cast	167.57 R
8	1	0756-9300S	Mounting Flange (9306S) Stainless Steel	416.80 R
9	4	2210-0020	Hex Head Cap Screw (9306C)	1.31 R
9	4	2210-0125	Hex Head Cap Screw (9306S)	2.53 R
10	1	1410-0056	Slinger Ring	1.80 R
11	1	1810-0014	Snap Ring	1.49 R
12	1	1820-0013	Retaining Ring	1.72 R
13	1	2000-0010	Ball Bearing	14.78 R
14	1	1410-0131	Cartridge, Front	16.49 R
15	2	1720-0268	O-ring	1.93 R
17	1	1410-0130	Seal Spacer	9.00 R
18	1	2029-0014	Thrust Bearing Assembly	42.92 R
19	1	3430-0850	Shaft (HM2c/HM4C) Prev 0531-2500	337.84 R
19	1	3430-0852	Shaft (HM1C/HM5C, 93079) Prev 0533-2500	245.21 R
19	1	3430-0855	Shaft (HM3C) Prev 0536-2500	435.93 R
20	1	0150-2500C	Motor Body (includes needle bearing)	186.18 R

Ref #	Req'd	Part #	Description	Price
21	4	2210-0005	Hex Head Cap Screw	1.09 R
22	2	1720-0110	O-Ring	1.72 R
23	1	1600-0044	Dowel Pin (HM1C/HM5C, 93079)	25.48 R
23	1	1600-0052	Dowel Pin (HM3C)	36.36 R
24	1	1600-0037	Dowel Pin (HM1C/HM5C, 93079)	25.40 R
24	1	1600-0068	Dowel Pin (HM3C)	16.49 R
25	1	3900-0022	Gerator (HM1C, 93079)	264.29 R
25	1	3900-0024	Gerator (HM3C)	335.13 R
25	1	3900-0048	Gerator (HM5C)	268.38 R
26	1	0700-2500C1	Gerator Housing (HM1C Models, 93079) 1/2" wide	170.29 R
26	1	0702-2500C1	Gerator Housing (HM3C Models) 1" wide	262.92 R
26	1	0704-2500C1	Gerator Housing (HM5C Models, 93076) 5/8" wide	208.43 R
27	1	0254-2500C2	Motor End Plate (includes needle bearing)	197.54 R
28	4	2270-0039	Washer	1.43 R
29	4	2220-0045	Cap Screw (HM2C/HM4C Models)	2.04 R
29	4	2220-0021	Cap Screw (HM1C Models, 93079)	2.57 R
29	4	2220-0044	Cap Screw (HM3C Models)	4.43 R
29	4	2220-0032	Cap Screw (hm5C Models)	6.00 R
30	1	1720-0108	O-Ring	1.49 R
31	1	3360-0021A	Pressure Port Adapter (includes O-ring)	31.47 R
33	1	3320-0051A	Tank Port Adapter (includes O-ring)	59.26 R
34	1	3220-0029	Bypass Adjusting Screw	12.23 R
35	1	1700-0047	Gasket	5.86 R
36	1	2270-0027	Wahser	2.53 R
37	1	2250-0038	Lock Nut	1.43 R
38	1	1610-0032	Roll Pin (HM2C/HM4C)	10.95 R
38	1	1610-0031	Roll Pin (HM1C/HM5C)	6.20 R
38	1	1610-0055	Roll Pin (HM3C)	37.47 R
39	1	1810-0026	Snap Ring	1.50 R
40	1	1610-0012	*Woodruf Key (9306C)	1.75 R

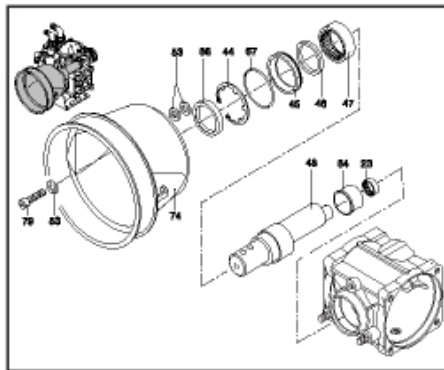
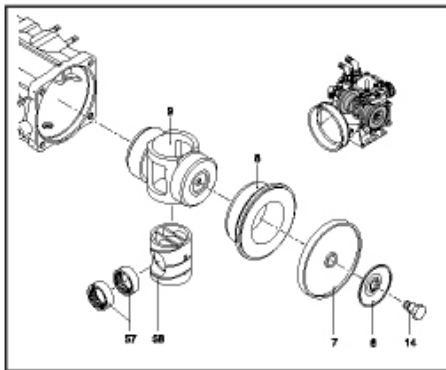
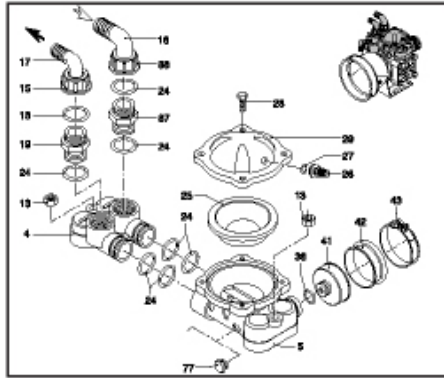
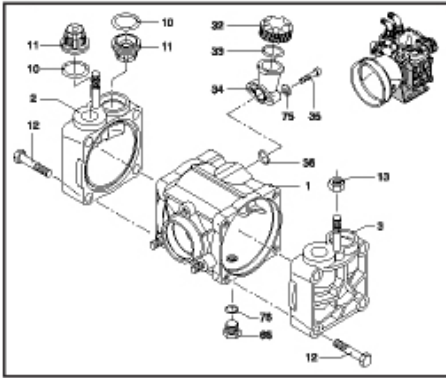
\* DISCONTINUED - LIMITED QUANTITIES



# HYPRO DIAPHRAGM PUMP REPAIR PARTS



## 9910-D70



Part #	Description	Price
9910-KIT1720	Diaphragm Kit Desmopan	148.58 R
9910-KIT2364	Valve Kit	234.12 R
9910-KIT2365	O-ring Kit	25.21 R



Ref	Qty	Part #	Description	Price
1	1	9910-550011	*Pump Body with Bolts	265.32 R
2	1	9910-550101	Right Head DX	173.87 R
3	1	9910-550102	Left Head SX	187.98 R
4	1	9910-550150	Manifold	121.56 R
5	1	9910-559200	Accumulator Manifold	215.00 R
6	2	9910-580370	Plate	13.20 R
7	2	9910-550080	Diaphragm	53.75 R
8	2	9910-550110	Sleeve	73.62 R
9	1	9910-550120	Piston	383.84 R
10	4	9910-320030	O-Ring	5.13 R
11	4	9910-759051	Complete Valve Assembly	57.12 R
12	8	9910-551040	Bolt	2.96 R
13	4	9910-180152	Nut	1.92 R
14	2	9910-580360	Diaphragm Bolt	16.30 R
15	1	9910-550880	Ring Nut	11.39 R
16	1	9910-580040	Elbow 1-1/4"	27.25 R
17	1	9910-550370	Elbow 1"	16.30 R
18	1	9910-550350	O-Ring	2.21 R
19	1	9910-550340	Threaded Adapter	10.79 R
23	1	9910-550310	Roller Bushing	48.74 R
24	7	9910-390290	O-Ring	2.59 R
25	1	9910-550190	Accumulator Diaphragm	28.72 R
26	1	9910-550300	Air Valve	17.98 R
27	1	9910-650542	Gasket	2.43 R
28	4	9910-550680	Bolt	4.14 R
29	1	9910-559204	Upper Air Chamber	86.93 R

Ref	Qty	Part #	Description	Price
32	1	9910-550057	Sight Glass Cap	11.91 R
33	1	9910-550040	O-Ring	2.17 R
34	1	9910-550030	Oil Sight Glass	19.67 R
35	2	9910-850851	Bolt	2.38 R
36	1	9910-180101	O-Ring	1.97 R
41	1	9910-650660	Diaphragm Holder	52.62 R
42	1	9910-650670	Diaphragm	16.82 R
43	1	9910-650690	Clamp	23.03 R
44	1	9910-200391	Retainer Ring	31.16 R
45	1	9910-550470	Seal Ring	59.04 R
46	1	9910-550070	Spacer Ring	22.26 R
47	1	9910-550060	Roller Bushing	76.38 R
48	1	9910-550170	Shaft	413.06 R
53	5	9910-320621	Washer	1.71 R
57	2	9910-550280	Bearing	63.32 R
58	1	9910-550140	Cylinder	122.61 R
64	1	9910-550160	Spacer	6.57 R
66	1	9910-550491	Seal Ring	34.42 R
67	1	9910-650920	O-Ring	3.60 R
68	1	2406-0023	Oil Drain Plug	13.30 R
74	1	9910-1500350	Shield	64.82 R
75	2	9910-550332	Washer	1.71 R
76	1	9910-740290	O-Ring	2.12 R
77	1	9910-330173	Plug	8.80 R
79	1	9910-620472	Bolt	2.95 R
87	1	9910-450120	Threaded Adapter	18.84 R
88	1	9910-550870	Ring Nut	19.14 R

\* DISCONTINUED - LIMITED QUANTITIES

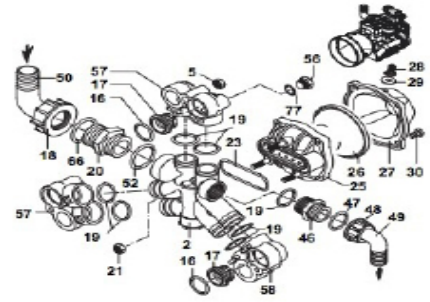
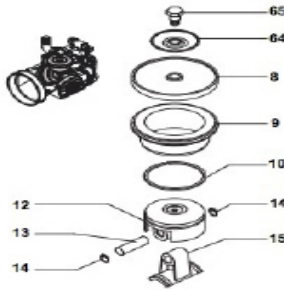
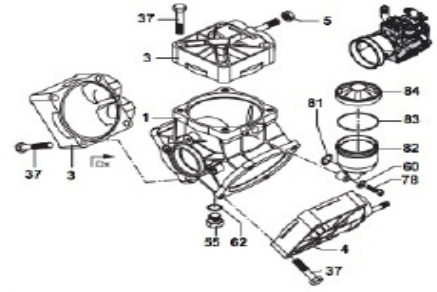
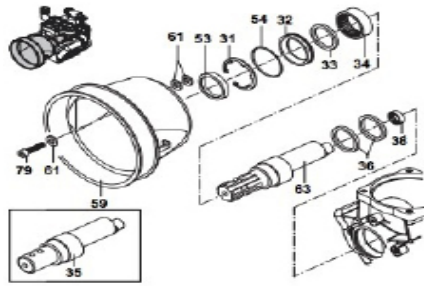


# HYPRO DIAPHRAGM PUMP REPAIR PARTS

## 9910-D115 & 9910-D135



Part #	Description	Price
9910-KIT1721	Diaphragm Kit Desmopan	187.94 R
9910-KIT2370	Valve Kit	310.55 R
9910-KIT2026	O-ring Kit	26.91 R



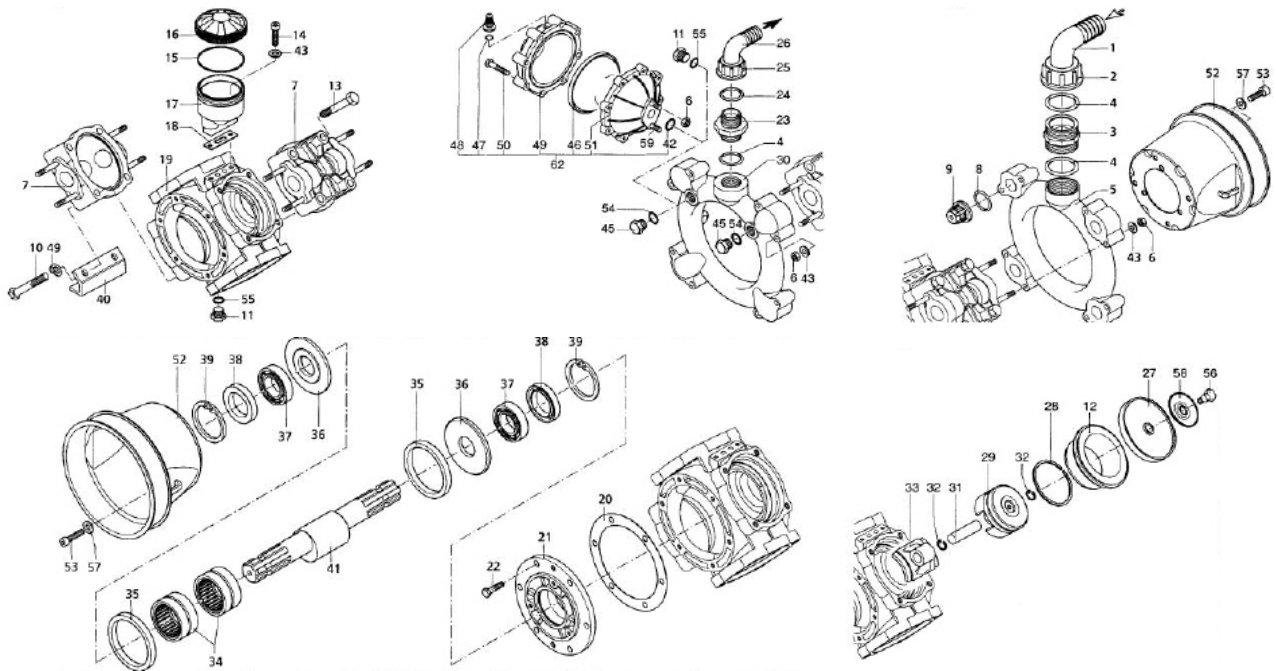
Ref	Qty	Part #	Description	Price
1	1	9910-580013	Pump Body with Bolts	352.76 R
2	1	9910-580150	Manifold	257.28 R
3	2	9910-550101	DX Right Head	173.87 R
4	1	9910-550102	SX Left Head	187.98 R
5	3	9910-180152	Nut	1.92 R
8	8	9910-550085	Diaphragm (Desmopan) Standard	44.97 R
9	3	9910-580110	Sleeve (D115)	108.54 R
9	3	9910-580350	Sleeve (D135)	88.69 R
10	3	9910-500260	Piston Ring	21.74 R
12	3	9910-580120	Piston	108.54 R
13	3	9910-380300	Pin	31.16 R
14	6	9910-380080	Pin Ring	2.12 R
15	3	9910-580140	Connecting Rod	111.56 R
16	6	9910-320030	O-Ring	5.13 R
17	6	9910-759051	Complete Valve	57.12 R
18	1	9910-540541	Ring Nut	16.81 R
19	7	9910-390291	O-Ring	2.83 R
20	1	9910-540530	Threaded Adapter	31.60 R
21	3	9910-390271	Nut	1.71 R
23	1	9910-580050	Gasket	12.94 R
25	1	9910-580180	Accumulator Manifold	187.94 R
26	1	9910-550190	Accumulator Diaphragm	28.72 R
27	1	9910-559204	Accumulator Head	86.93 R
28	1	9910-550300	Air Valve	17.98 R
29	1	9910-650542	O-Ring	2.43 R
30	4	9910-550680	Bolt	4.14 R
31	1	9910-200391	Retaining Ring	31.16 R
32	1	9910-550470	Gasket Retainer	59.04 R
33	1	9910-550070	Spacer Ring	22.26 R
34	1	9910-550060	Roller Bearing	76.38 R
35	1	9910-550170	Shaft (D115)	413.06 R

Ref	Qty	Part #	Description	Price
36	2	9910-580470	Connecting Rod Ring	6.88 R
37	12	9910-551040	Bolt	2.96 R
38	1	9910-550310	Roller Bushing	48.74 R
46	1	9910-550340	Threaded adapter	10.79 R
47	1	9910-550350	O-Ring	2.21 R
48	1	9910-550242	Ring nut	DISCONTINUED
49	1	9910-550370	Elbow 1"	16.30 R
50	1	9910-540550	Elbow 1-1/2"	36.68 R
52	1	9910-250310	O-Ring	2.38 R
53	1	9910-550491	Seal Ring	34.42 R
54	1	9910-650920	O-Ring	3.60 R
55	1	2406-0023	Oil Drain Plug	13.30 R
56	1	9910-330173	Plug	8.80 R
57	2	9910-589200	DX Right Valve Retainer w/Plug/O-Ring	126.07 R
58	1	9910-580072	SX Left Valve Retainer	121.61 R
59	1	9910-1500350	Shield	64.82 R
60	2	9910-550332	Washer	1.71 R
61	5	9910-320621	Washer	1.71 R
62	1	9910-740290	O-Ring	2.12 R
63	1	9910-580330	Shaft (D135)	344.72 R
64	3	9910-580370	Plate	13.20 R
65	3	9910-580360	Diaphragm Bolt	16.30 R
66	1	9910-250310	O-Ring	2.38 R
77	1	9910-180101	O-Ring	1.97 R
78	2	9910-850851	Bolt	2.38 R
79	3	9910-620472	Bolt	2.95 R
81	1	9910-390180	O-Ring	1.86 R
82	1	9910-1040310	Oil Sight Glass	103.52 R
83	1	9910-650920	O-Ring	3.60 R
84	1	9910-1040322	Black Oil Tank Cap	35.43 R

# HYPRO DIAPHRAGM PUMP REPAIR PARTS



## 9910-D160

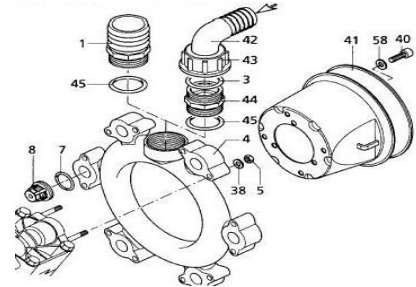
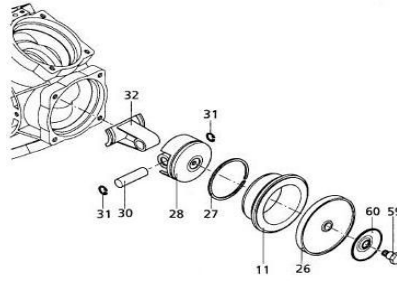
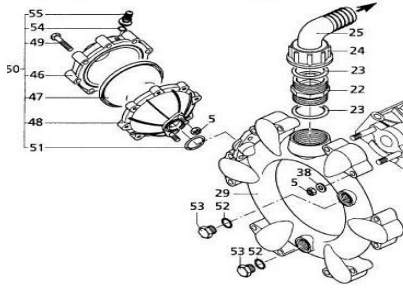
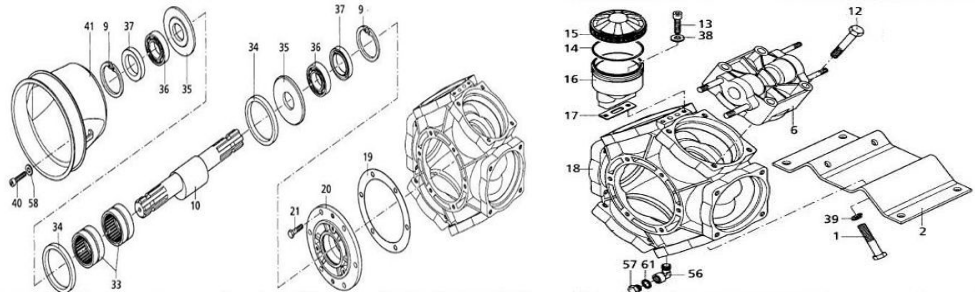


Ref	Qty	Part #	Description	Price
32	8	9910-160691	Pin ring	3.06 R
33	4	9910-760140	Connecting Rod	121.56 R
34	2	9910-750090	Roller Bearing	342.71 R
35	2	9910-750130	Connecting Rod Ring	63.82 R
36	2	9910-540040	Spacer Washer	63.32 R
37	2	9910-230350	Bearing	208.24 R
38	2	9910-160740	Seal Ring	48.69 R
39	2	9910-200390	Retainer Ring	14.75 R
40	2	9910-760201	Base	32.41 R
41	1	9910-750170	Crankshaft	750.74 R
42	1	9910-390290	O-Ring	2.59 R
43	18	9910-380243	Washer	1.71 R
44	4	9910-250143	Washer	2.38 R
45	2	9910-330173	Plug	8.80 R
46	1	9910-550190	Accumulator Diaphragm	28.72 R
47	1	9910-650542	O-Ring	2.43 R
48	1	9910-180020	Air Valve	45.23 R
49	1	9910-629216	Accumulator Head	130.57 R
50	8	9910-621781	M8 x 40 Bolt	2.95 R
51	1	9910-680180	Accumulator Body	174.47 R
52	2	9910-1500350	Shield	64.82 R
53	6	9910-850251	M8 x 12 Bolt	2.95 R
54	2	9910-180101	O-Ring	1.97 R
55	2	9910-740290	O-Ring	2.12 R
56	4	9910-2240110	Diaphragm Nut	4.55 R
57	6	9910-390314	Washer	1.71 R
58	4	9910-751250	Retaining Washer	23.78 R
61	4	9910-2240100	Diaphragm Stud	16.30 R
74	1	9910-751140	O-ring	8.70 R

Ref	Qty	Part #	Description	Price
5	1	9910-760750	Suction Manifold	DISCONTINUED
6	18	9910-380242	Nut	1.71 R
8	8	9910-680070	O-ring	5.22 R
9	8	9910-759051	Complete Valve	57.12 R
10	8	9910-750071	Bolt	11.13 R
11	2	2406-0023	Oil Drain Plug	13.30 R
12	4	9910-750110	Sleeve	180.10 R
13	12	9910-750061	M12 x 65 Bolt	10.61 R
14	2	9910-680350	M8 x 35 Bolt	3.06 R
15	1	9910-1040060	O-Ring	10.79 R
16	1	9910-750057	Black Oil Tank Cap	26.38 R
17	1	9910-750030	Oil sight glass	59.04 R
18	1	9910-750040	Gasket	1.97 R
19	1	9910-761010	Pump body	579.69 R
20	1	9910-851360	O-ring	3.52 R
21	1	9910-680020	Bearing Support Housing	223.11 R
22	6	9910-160672	M10 x 25 Bolt	3.52 R
23	1	9910-751130	Threaded adapter	24.33 R
24	1	9910-390290	O-Ring	2.59 R
25	1	9910-750670	Ring nut	16.82 R
26	1	9910-3040160	Elbow 1-1/2"	30.40 R
27	4	9910-550085	Diaphragm (Desmopan) Standard	44.97 R
28	4	9910-500260	Piston Ring	21.74 R
29	4	9910-750122	Piston	93.97 R
30	1	9910-760760	Manifold DISCONTINUED	484.41 R
31	4	9910-160700	Pin	40.45 R

# HYPRO DIAPHRAGM PUMP REPAIR PARTS

## 9910-D250



Ref	Qty	Part #	Description	Price
2	1	9910-750200	Base	145.73 R
3	2	9910-750740	O-Ring	14.49 R
4	1	9910-751070	Suction Manifold	587.56 R
5	26	9910-380242	Nut	1.71 R
6	6	9910-751350	Head	181.23 R
7	12	9910-680070	O-Ring	5.22 R
8	12	9910-759051	Complete Valve	57.12 R
9	2	9910-200390	Retainer Ring	14.75 R
10	1	9910-750170	Crankshaft	840.83 R
11	6	9910-750110	Sleeve	180.10 R
12	20	9910-750061	Bolt	10.61 R
13	2	9910-680350	Bolt	3.06 R
14	1	9910-1040060	O-Ring	10.79 R
15	1	9910-750057	Black Oil Tank Cap	26.38 R
16	1	9910-750030	Oil Sight Glass	59.04 R
17	1	9910-750040	Gasket	1.97 R
18	1	9910-751300	Pump Body	633.72 R
19	1	9910-851360	Gasket	3.52 R
20	1	9910-680020	Shaft Support	223.11 R
21	6	9910-160672	Bolt	3.52 R
22	1	9910-751130	Threaded Adapter	24.33 R
23	1	9910-751140	O-Ring	8.70 R
23A	1	9910-390290	O-ring	2.59 R
24	1	9910-750670	Ring Nut	16.82 R
25	1	9910-3040160	Elbow 1-1/2"	30.40 R
26	6	9910-550080	Diaphragm	53.75 R
27	6	9910-500260	Piston Ring	21.74 R
28	6	9910-750122	Piston	93.97 R
29	1	9910-751080	Manifold	625.11 R

Ref	Qty	Part #	Description	Price
30	6	9910-160700	Pin	40.45 R
31	2	9910-160691	Pin Ring	3.06 R
32	6	9910-750140	Connecting Rod	314.05 R
33	2	9910-750090	Roller Bearing	342.71 R
34	2	9910-750130	Connecting Rod Ring	63.82 R
35	2	9910-540040	Spacer Washer	63.32 R
36	2	9910-230350	Bearing	208.24 R
37	2	9910-160740	Seal Ring	48.69 R
38	26	9910-380243	Washer	1.71 R
39	4	9910-250143	Washer	2.38 R
40	6	9910-850251	Bolt	2.95 R
41	2	9910-1500350	Shield	64.82 R
42	1	9910-750850	Elbow 2"	29.76 R
43	1	9910-750710	Ring Nut	26.67 R
46	1	9910-620232	Accumulator Head	62.56 R
47	1	9910-550190	Accumulator Diaphragm	28.72 R
48		9910-680180	Accumulator Body	174.47 R
49	8	9910-621781	Bolt	3.94 R
51	1	9910-390290	O-Ring	2.59 R
52	2	9910-180101	O-Ring	1.97 R
53	2	9910-330173	Plug	8.80 R
54	1	9910-650542	Gasket	2.43 R
55	1	9910-180020	Air Valve	45.23 R
56	1	9910-750370	Elbow	20.70 R
57	1	9910-880581	Oil Drain Plug	6.21 R
58	6	9910-390314	Washer	1.71 R
59	6	9910-2240110	Diaphragm Nut	4.55 R
60	6	9910-751250	Retainer Washer	23.78 R
62	1	9910-2240100	Diaphragm Stud	16.30 R

# ACE BELT & CLUTCH DRIVE FRAME PUMPS



**FMC-CW-150**



**FMC-CW-150-MAG**



**FMC-CW-200**

PERFORMANCE CHART CW-150							
PUMP SHAFT RPM	20 PSI GPM	30 PSI GPM	40 PSI GPM	60 PSI GPM	80 PSI GPM	100 PSI GPM	MAX HP
3200	70	55	5	X	X	X	1.4
3800	75	70	60	10	X	X	1.8
4400	80	78	72	60	X	X	3
5200	80	80	78	75	70	30	4.7

**FEATURES:**  
 CLOCKWISE ROTATION  
 HIGH PERFORMANCE TO 100 PSI  
 VALOX IMPELLER (CAST IRON OPTIONAL)  
 STAINLESS STEEL SHAFT  
 STANDARD VITON SEALS  
 (SILICONE, CARBIDE OPTIONAL)  
 AVAILABLE CLUTCH DRIVE (5-1/4" PULLEY)

PERFORMANCE CHART CW-200							
PUMP SHAFT RPM	20 PSI GPM	30 PSI GPM	40 PSI GPM	60 PSI GPM	80 PSI GPM	100 PSI GPM	MAX HP
2800	100	40	X	X	X	X	1.7
3200	125	100	90	X	X	X	3
3600	140	125	110	X	X	X	3.7
4000	160	140	135	90	X	X	4.5
4600	180	165	160	140	60	X	7

**FEATURES:**  
 CLOCKWISE ROTATION  
 HIGH PERFORMANCE TO 180 PSI  
 CAST IRON IMPELLER  
 STAINLESS STEEL SHAFT  
 STANDARD VITON SEAL  
 (SILICONE/CARBIDE OPTIONAL)  
 AVAILABLE CLUTCH DRIVE (5-1/4" PULLEY)

**PUMP RPM** / **DRIVE PULLEY DIAMETER** = **DRIVE SHAFT RPM**      **PUMP RPM X PUMP PULLEY DIAMETER DIVIDED BY DRIVE PULLEY DIAMETER** OR **DRIVE SHAFT RPM EQUALS DRIVE PULLEY DIAMETER**

EXAMPLE: TO DRIVE FMC-150 AT 5000 RPM WITH PUMP PULLEY OF 5-1/4" DIA. AND DRIVE SHAFT RPM OF 3600.       $5000 \times 5.25 = 26250$        $26250 / 3600 = 7.29$       ROUND ANSWER TO CLOSEST 1/4" DRIVE PULLEY SHOULD BE 7.25"

PART #	INLET SIZE	OUTLET SIZE	MAX GPM	MAX PSI	SEAL TYPE	12V CLUTCH	PRICE
FMC-CW-150	1-1/2"	1-1/4"	80	100	VITON	NO	696.00 D
FMCSC-CW-150	1-1/2"	1-1/4"	80	100	SIL/CARB	NO	799.00 D
FMC-CW-150-MAG-D	1-1/2"	1-1/4"	80	100	VITON	YES	1,328.00 D
FMCSC-CW-150-MAG-D	1-1/2"	1-1/4"	80	100	SIL/CARB	YES	1,431.00 D
FMC-CW-200	2"	1-1/2"	180	100	VITON	NO	918.00 D
FMCSC-CW-200	2"	1-1/2"	180	100	SIL/CARB	NO	1,021.00 D
FMC-CW-200-MAG-D	2"	1-1/2"	180	100	VITON	YES	1,615.00 D
FMCSC-CW-200-MAG-D	2"	1-1/2"	180	100	SIL/CARB	YES	1,782.00 D



# ACE HYDRAULIC DRIVE CENTRIFUGAL PUMPS



**FMC-150-HYD-206**



**FMC-200-HYD-304**

PERFORMANCE CHART FMC-150-HYD-206					
SHUT-OFF 0 GPM	40 GPM	60 GPM	80 GPM	100 GPM	120 GPM
120 PSI	116 PSI	112 PSI	110 PSI	88 PSI	53 PSI
100 PSI	97 PSI	92 PSI	84 PSI	74 PSI	46 PSI
80 PSI	75 PSI	70 PSI	61 PSI	52 PSI	20 PSI
60 PSI	57 PSI	57 PSI	43 PSI	29 PSI	X

USE THE SHUT-OFF PRESSURE OF YOUR SPRAYING SYSTEM TO DETERMINE WHICH LINE OF DATA APPLIES. THE HYDRAULIC SYSTEM INPUT PRESSURE AND FLOW WILL VARY WITHIN THE CHART. CONTACT FACTORY FOR MORE DATA

**MAXIMUM SHUT-OFF PRESSURE 120 PSI**

PERFORMANCE CHART FMC-200-HYD-304					
SHUT-OFF 0 GPM	40 GPM	80 GPM	120 GPM	160 GPM	200 GPM
120 PSI	114 PSI	100 PSI	85 PSI	65 PSI	36 PSI
100 PSI	92 PSI	83 PSI	68 PSI	52 PSI	X
80 PSI	76 PSI	68 PSI	57 PSI	43 PSI	X
60 PSI	56 PSI	50 PSI	40 PSI	X	X

USE THE SHUT-OFF PRESSURE OF YOUR SPRAYING SYSTEM TO DETERMINE WHICH LINE OF DATA APPLIES. THE HYDRAULIC SYSTEM INPUT PRESSURE AND FLOW WILL VARY WITHIN THE CHART. CONTACT FACTORY FOR MORE DATA

**MAXIMUM SHUT-OFF PRESSURE 120 PSI**

### FEATURES FMC-150-HYD-206:

- 1-1/2" SUCTION, 1-1/4" DISCHARGE
- STANDARD VITON SEALS (SIL/CARB OPTIONAL)
- VALOX IMPELLER (CAST IRON OPTIONAL)
- STAINLESS STEEL SHAFT
- STAINLESS STEEL WEAR RING

### RECOMMENDED FOR USE ON THE FOLLOWING HYDRAULIC SYSTEMS:

- PRESSURE COMPENSATING CLOSED CENTER
- LOAD SENSING OR PRESSURE FLOW-
- COMPENSATING CLOSED CENTER
- OPEN CENTER FROM 7-16 GPM
- INTEGRAL NEEDLE VALVE BYPASSES UP TO 9 GPM ON OPEN CENTER SYSTEMS

**206 MOTOR REQUIRES 7 GPM  
HYDRAULIC FLUID INPUT**

### FEATURES FMC-200-HYD-304:

- 2" SUCTION, 1-1/2" DISCHARGE
- STANDARD VITON SEALS (SIL/CARB OPTIONAL)
- VALOX IMPELLER (CAST IRON OPTIONAL)
- STAINLESS STEEL SHAFT
- STAINLESS STEEL WEAR RING

### RECOMMENDED FOR USE ON THE FOLLOWING HYDRAULIC SYSTEMS:

- PRESSURE COMPENSATING CLOSED CENTER
- LOAD SENSING OR PRESSURE FLOW-
- COMPENSATING CLOSED CENTER
- OPEN CENTER FROM 10-20 GPM
- INTEGRAL NEEDLE VALVE BYPASSES UP TO 9 GPM ON OPEN CENTER SYSTEMS

**304 MOTOR REQUIRES 11 GPM  
HYDRAULIC FLUID INPUT**

ACE HYDRAULIC DRIVE HIGH PERFORMANCE PUMPS							
PART #	INLET SIZE	OUTLET SIZE	MAX GPM	MAX PSI	SEAL TYPE	IMPELLER TYPE	PRICE
FMC150-HYD-206	1-1/2"	1-1/4"	120	120	VITON	VALOX	1,488.00 D
FMCS150-HYD-206	1-1/2"	1-1/4"	120	120	SIL/CARB	VALOX	1,591.00 D
FMC-200-HYD-304	2"	1-1/2"	200	120	VITON	VALOX	1,763.00 D
FMCS-200-HYD-304	2"	1-1/2"	200	120	SIL/CARB	VALOX	1,866.00 D

# ACE HYDRAULIC DRIVE CENTRIFUGAL PUMPS



## FEATURES

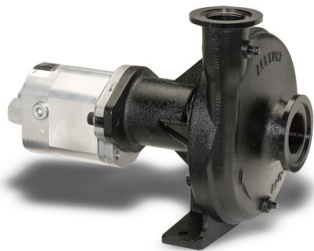
### FMCSC-205F-HYD-304

### FMCSC-205FS-HYD-304



**FMCSC-205F-HYD-304    FMCSC-205FS-HYD-304**

- \* SUCTION 300 SERIES FLANGE
- \* DISCHARGE 220 SERIES FLANGE
- \* -FS MODEL - 316 STAINLESS STEEL
- \* RECOMMENDED FOR USE ON THE FOLLOWING HYDRAULIC SYSTEMS:
  - # PRESSURE COMPENSATING CLOSED CENTER
  - # LOAD SENSING OR PRESSURE FLOW COMPENSATING CLOSED SYSTEM
  - # OPEN CENTER FROM 10 TO 20 GPM (38 TO 75 LPM) - INTEGRAL NEEDLE VALVE BYPASSES UP TO 9 GPM (34 LPM)
- \* SEVERE DUTY SILICON CARBIDE MECHANICAL SEAL WITH O-RING SEAT FOR IMPROVED SURVIVABILITY
- \* LARGER 203 BEARING FOR LONGER LIFE
- \* CHEMICAL RESISTANT VALOX IMPELLER AND OPTIONAL CAST IRON OR 316 STAINLESS STEEL AVAILABLE



**FMC-650F-HYD**

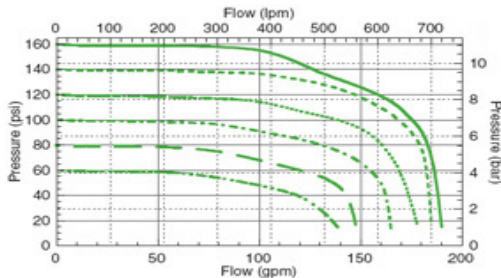
**FMC-650FS-HYD**

## FEATURES

### FMC-650F-HYD

### FMC-650FS-HYD

- \* SUCTION 220 FLANGE & 1-1/2" NPT
- \* DISCHARGE 200 FLANGE & 1-1/4" NPT
- \* HIGH PERFORMANCE PUMP
  - # MAXIMUM FLOW 170 GPM (644 LPM)
  - # MAXIMUM PRESSURE 160 PSI (11 BAR)
  - # MODIFIED IMPELLER DESIGN FOR HIGHER PRESSURE AT LOWER RPM
- \* MAXIMUM RELIABILITY
  - # -FS MODEL - 316 STAINLESS STEEL
  - # OPERATES AT LOWER RPM FOR LONGER LIFE
  - # OVERSIZED BEARINGS
  - # E-COAT CORROSION PROTECTION
  - # HIGH EFFICIENCY 4000 PSI (275 BAR) PRESSURE PLATED GEAR MOTOR
  - # OPTIONAL CASE DRAIN



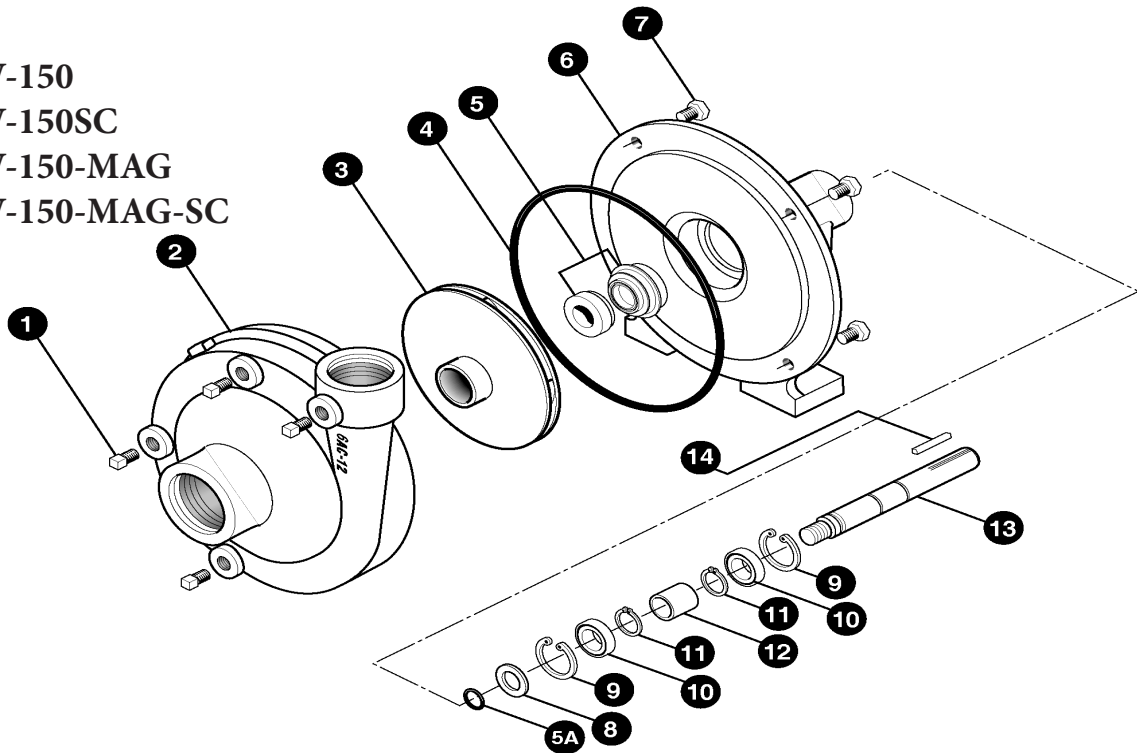
OIL FLOW	
GPM	LPM
14.5	54.9
13.6	51.5
12.4	46.9
11.3	42.8
9.8	37.1
8.3	31.4

ACE HYDRAULIC DRIVE PUMPS					
PART #	INLET SIZE	OUTLET SIZE	MAX GPM	MAX PSI	PRICE
FMCS-205F-HYD-304	300 Flange	220 Flange	240	120	2,025.00 D
FMCS-205FS-HYD-304	300 Flange	200 Flange	240	120	3,244.00 D
FMCS-205F-HYD-304-PWM	300 Flange	220 Flange	240	120	3,212.00 D
FMCS-205FS-HYD-304-PWM	300 Flange	220 Flange	240	120	4,431.00 D
FMC-650F-HYD	220 Flange & 1-1/2" NPT	200 Flange & 1-1/4" NPT	170	160	2,282.00 D
FMC-650FS-HYD	220 Flange & 1-1/2" NPT	200 Flange & 1-1/4" NPT	170	160	3,332.00 D



# ACE PEDESTAL PUMP REPAIR PARTS

FMC-CW-150  
FMC-CW-150SC  
FMC-CW-150-MAG  
FMC-CW-150-MAG-SC

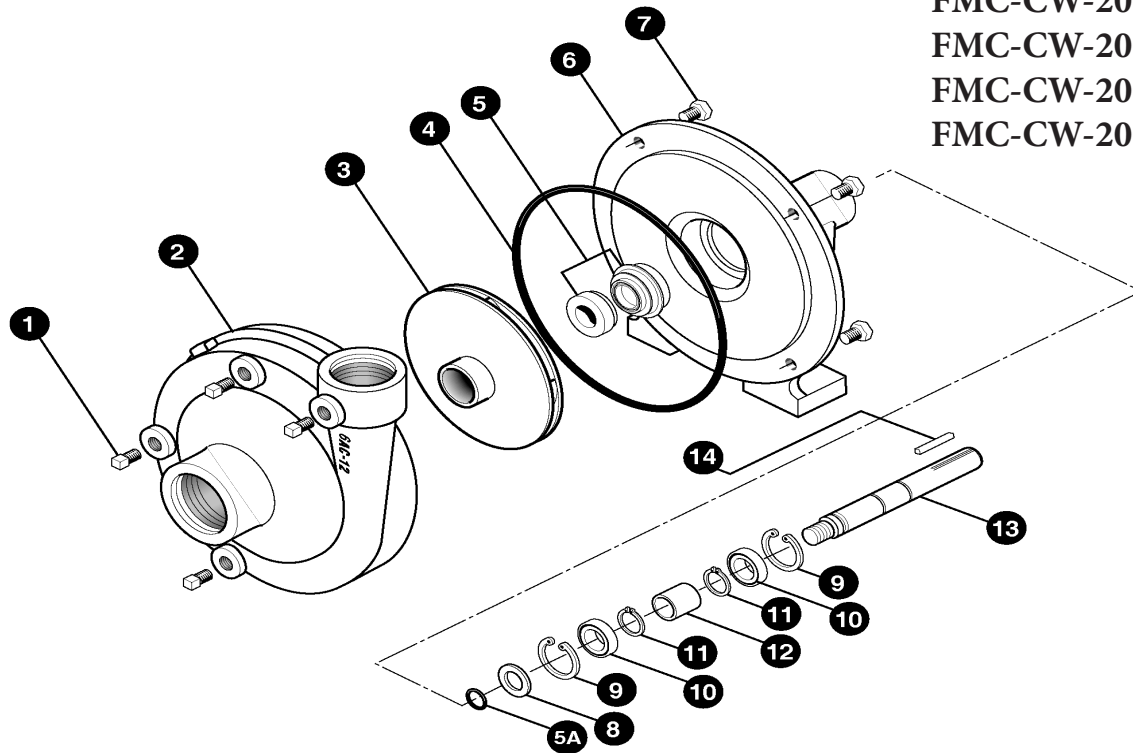


Ref #	Req'd	Part #	Description	Price
1	4	BAC-53 (41110)	Pipe plug, 1/8" NPT	0.60 S
1	4	41120	Pipe plug, 1/8" NPT, stainless steel (opt)	5.75 S
2	1	6AC-12	Volute, 1 1/2" x 1 1/4", clockwise rotation, cast iron	366.75 S
3	1	BAC-26-CW-150-P	Impeller, 5 1/2" dia., right hand NF thread, thermoplastic	104.00 S
3	1	BAC-26-CW-150-CI	Impeller, 5 1/2" dia., right hand NF thread, cast iron (opt)	235.25 S
*4	1	BAC-4A	O-ring for BAC-12 volute seal, 4/96	9.00 S
*4	1	BAC-4	Gasket, 4 hole	4.50 S
*5	1	BAC-7V	Seal, Viton mechanical seal (includes 40160 o-ring)	56.25 S
5	1	BAC-7SC	Seal, silicon carbide mechanical seal (includes 40160 o-ring)(opt)	194.00 S
5A	1	40160	O-ring for BAC-6 shaft	1.25 S
6	1	BAC-14-F	Mounting frame	307.50 S
7	4	40930	Cap screw, 3/8" NC x 3/4" hex head, stainless steel (opt)	2.75 S
7	4	40950	Cap screw, 3/8" NC x 3/4" hex head	0.75 S
8	1	BAC-54	Slinger	2.25 S
9	2	BAC-33	Snap ring, internal, BAC-14 mounting frame	2.25 S
10	2	BAC-37	Bearing, BAC-6 driven shaft	22.25 S
11	2	BAC-32	Snap ring, external, BAC-6 driven shaft	0.75 S
12	1	BAC-32-S	Spacer for BAC-6 shaft	6.75 S
13	1	BAC-6-CW-SS	Shaft, 5/8" driven, right hand NF thread, stainless steel	169.50 S
14	1	BAC-50	Key, 3/16" x 3/16" x 1 1/4"	1.75 S
*	1	RK-FMC	Repair Kit for FMC Series Includes *	67.00 S

# ACE PEDESTAL PUMP REPAIR PARTS



FMC-CW-200  
FMC-CW-200-SC  
FMC-CW-200-MAG  
FMC-CW-200-MAG-SC



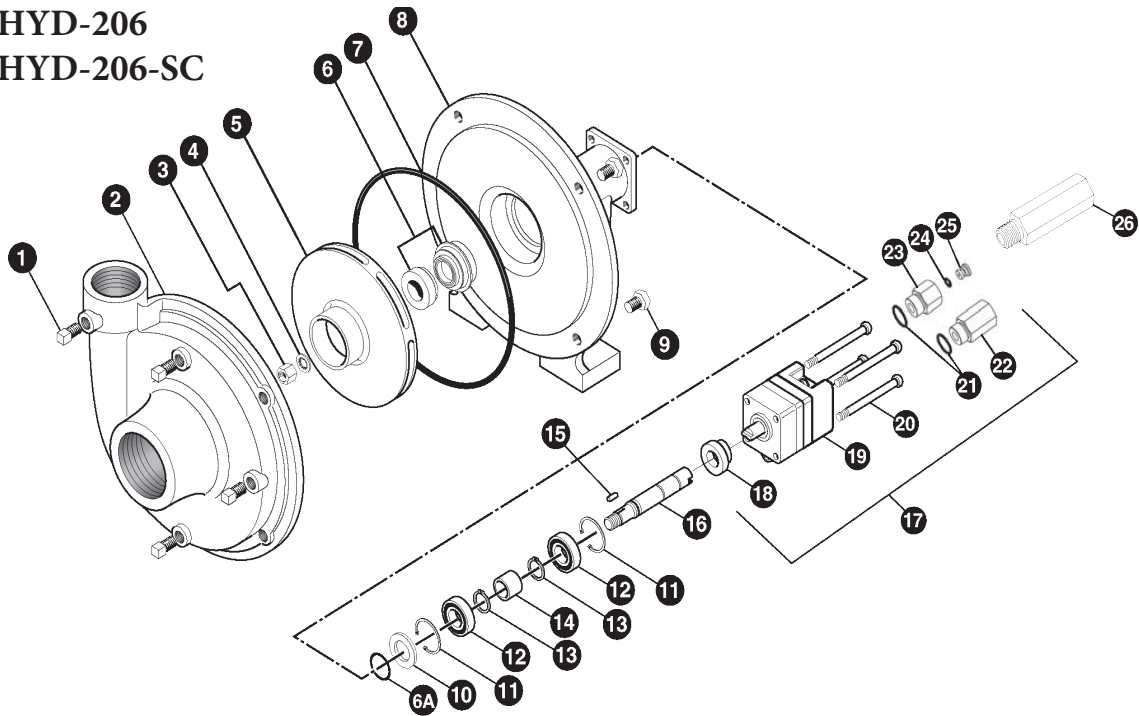
Ref #	Req'd	Part #	Description	Price
1	4	BAC-53 (41110)	Pipe plug, 1/8" NPT	0.60 S
1	4	41120	Pipe plug, 1/8" NPT, stainless steel (opt)	5.75 S
2	1	7AC-14-4	Volute, 2" x 1 1/2", clockwise rotation, cast iron	402.75 S
3	1	BAC-26-CW-200-CI	Impeller, 5 1/8" dia., right hand NF thread, cast iron	313.75 S
*4	1	BAC-4A	O-ring for BAC-12 volute seal, 4/96	9.00 S
*4	1	BAC-4	Gasket, 4 hole	4.50 S
*5	1	BAC-7V	Seal, Viton mechanical seal (includes 40160 o-ring)	56.25 S
5	1	BAC-7SC	Seal, silicon carbide mechanical seal (includes 40160 o-ring)(opt)	194.00 S
5A	1	40160	O-ring for BAC-6 shaft	1.25 S
6	1	BAC-14-F	Mounting frame	307.50 S
7	4	40930	Cap screw, 3/8" NC x 3/4" hex head, stainless steel (opt)	2.75 S
7	4	40950	Cap screw, 3/8" NC x 3/4" hex head	0.75 S
8	1	BAC-54	Slinger	2.25 S
9	2	BAC-33	Snap ring, internal, BAC-14 mouting frame	2.25 S
10	2	BAC-37	Bearing, BAC-6 driven shaft	22.25 S
11	2	BAC-32	Snap ring, external, BAC-6 driven shaft	0.75 S
12	1	BAC-32-S	Spacer for BAC-6 shaft	6.75 S
13	1	BAC-6-CW-SS	Shaft, 5/8" driven, right hand NF thread, stainless steel	169.50 S
14	1	BAC-50	Key, 3/16" x 3/16" x 1 1/4"	1.75 S
*	1	RK-FMC	Repair Kit for FMC Series Includes *	67.00 S





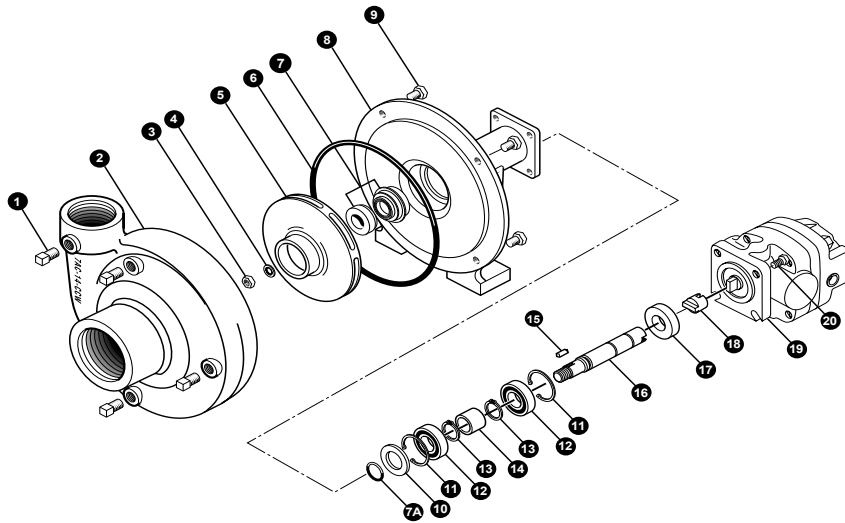
# ACE HYDRAULIC PUMP REPAIR PARTS

FMC-150-HYD-206  
FMC-150-HYD-206-SC



Ref #	Req'd	Part #	Description	Price
1	4	BAC-53	Pipe plug	0.60 S
1	4	41120	Pipe plug, stainless steel (opt)	5.75 S
2	1	BAC-12-150	Volute, 1 1/2" x 1 1/4"	366.75 S
3	1	BAC-23-A SS	Nut, 3/8" NF, cad plated	10.25 S
4	1	BAC-24-HYD-SS	Washer, 3/8" star, stainless steel	1.75 S
5	1	BAC-26-150-P	Impeller, Valox, keyway	104.00 S
5	1	BAC-26-150-CI	Impeller, cast iron, keyway (opt)	256.50 S
6	1	BAC-7V	Seal, mechanical, Viton (includes 40160 O-ring)	56.25 S
6	1	BAC-7SC	Seal, mechanical, silicon carbide (includes 40160 O-ring)(opt)	194.00 S
6A	1	40160	O-ring, shaft seal	1.25 S
7	1	BAC-4-150	O-ring, body seal	9.00 S
8	1	BAC-14-150-HYD	Mouting frame (for 200 series hydraulic motor)	456.75 S
9	4	40950	Cap screw, 3/8" NC x 3/4" hex head	0.75 S
9	4	40930	Cap screw, 3/8" NC x 3/4" hex head, stainless steel (opt)	2.75 S
10	1	BAC-54	Slinger	2.25 S
11	2	BAC-33	Snap ring, internal, BAC-14 mounting frame	2.25 S
12	2	BAC-37	Ball Bearing, sealed, BAC-6 shaft	22.25 S
13	2	BAC-32	Snap ring, external, BAC-6 shaft	0.75 S
14	1	BAC-32-S	Spacer for BAC-6 shaft	6.75 S
15	1	BACH-25	Key, 1/8" x 1/8" x 1/2"	1.25 S
16	1	BAC-6-HYD-SS	Shaft, 5/8" dia., keyway & tang slot, stainless steel (opt)	151.50 S
17	1	BAC-75-HYD-206	Hydraulic motor, 7 GPM (includes parts 18-25)	713.50 S
18	1	S200	Seal support spacer for 200 series HYD motor, 6/00	11.25 S
20	4	41255	Cap screw, 5/16" NC x 3-3/4" Hex head (for 206 motor)	2.25 S
26	1	LS-206N	Flow limiting valve (206N), #8 SAE male x 1/2" NPT female	98.50 S
		RK-FMC-150	Repair kit for FMC-150 series pump	67.00 S
		RK-BAC-75-HYD-L	Repair kit for 200-L Series motor	69.75 S

# ACE HYDRAULIC PUMP REPAIR PARTS



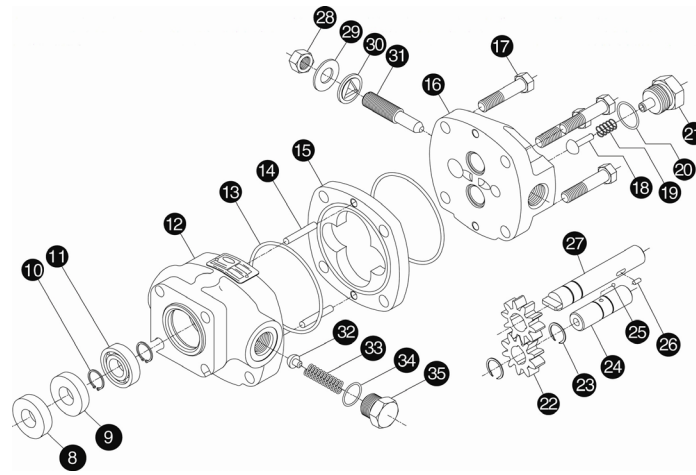
**FMC-200-HYD-304**  
**FMC-200-HYD-304-SC**

Ref #	Req'd	Part #	Description	Price
1	4	BAC-53	Pipe Plug	0.60 S
1	4	41120	Pipe Plug, stainless steel (optional)	5.75 S
2	1	7AC-14-CCW	Volute, 2" x 1 1/2"	402.75 S
3	1	BAC-23-A SS	Nut, 3/8" NF, cad plated	10.25 S
4	1	BAC-24-HYD-SS	Washer, 3/8" star, stainless steel	1.75 S
5	1	BAC-26-200-CI	Impeller, w/extended keyway, cast iron (date code E-9 & up)	313.75 S
5	1	BAC-26-200-P	Impeller, w/extended keyway, thermoplastic	150.50 S
5	1	BAC-26-HYD-200-CI	Impeller, cast iron, keyway (obsolete 6/99)	313.75 S
6	1	BAC-4	Gasket, 4 hole	4.50 S
6	1	BAC-4A	O-ring, body seal 4/96	9.00 S
7	1	BAC-7V	Seal, mechanical, Viton (includes 40160 o-ring)	56.25 S
7	1	BAC-7SC	Seal, mechanical, silicon carbide (includes 40160 o-ring)	194.00 S
7A	1	40160	O-ring, shaft seal	1.25 S
8	1	BAC-14-HYD-300	Mounting frame (for -300 series hyd motor)	402.75 S
9	4	40950	Cap screw, 3/8" NC x 3/4" hex head	0.75 S
9	4	40930	Cap screw, 3/8" NC x 3/4" hex head, ss (optional)	2.75 S
10	1	BAC-54	Slinger	2.25 S
11	2	BAC-33	Snap ring, internal, BAC-14 mouting frame	2.25 S
12	2	BAC-37	Ball bearing, sealed, BAC-6 shaft	22.25 S
13	2	BAC-32	Snap ring, external, BAC-6 shaft	0.75 S
14	1	BAC-32-S	Spacer for BAC-6 shaft	6.75 S
15	1	BAC-25	Key, 1/8" x 1/8" x 13/16", extended keyway (date code E-9 & up)	1.25 S
15	1	BACH-25	Key, 1/8" x 1/8" x 1/2" (obsolete 6/99)	1.25 S
16	1	BAC-6-HYD-200-SS	Shaft, extended keyway, tang, ss (date Code E-9 & up)	151.50 S
16	1	BAC-6-HYD-SS	Shaft, 5/8" diameter, keyway & tang slot, ss (optional)	151.50 S
17	1	S300	Seal support spacer for 300 Series HYD motor 6/00	11.25 S
18	1	BAC-76-HYD	Coupling for hydraulic motor	32.75 S
19	1	BAC-75-HYD-304	Hydraulic motor, 11 GPM	1,071.75 S
20	4	41330	Cap screw, 5/16" NC x 3/4" hex head, motor to pump	0.75 S
		RK-FMC	Repair kit for FMC series pump	67.00 S
		RK-BAC-75-HYD-300	Repair kit for 304 motor	117.25 S
		RK-BAC-75-HYD-300-L	Repair kit for 300 Series -L motor	117.25 S



## ACE HYDRAULIC MOTOR REPAIR PARTS

**BAC-75-HYD-304**  
**BAC-75-HYD-304L**  
**BAC-75-HYD-310**

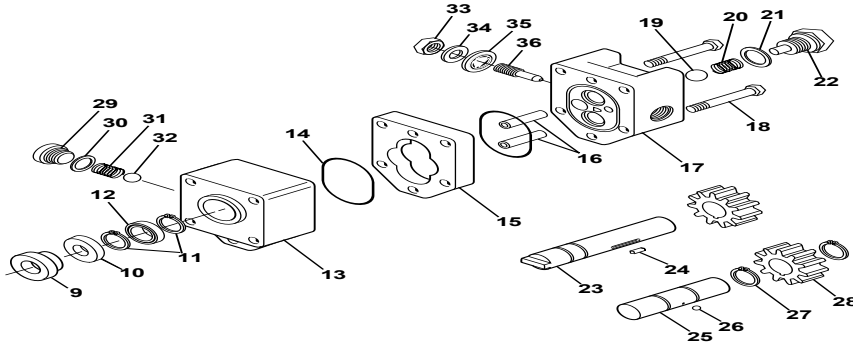


Ref #	Req'd	MODEL	MODEL	MODEL	Description	Price
		304	304L	310		
Part #	Part #	Part #				
1	1	43175			Retaining ring, shaft seal	1.25 S
2	1	43051		43051	Steel seal retainer	39.25 S
3	1	43141			"O"ring, seal retainer	2.25 S
4	1	43161		43160	Quad ring shaft seal	9.25 S
5	1	43125		43120	Collar, quad ring shaft seal	18.00/23.25 S
6	1	43151		43150	"O"ring, seal collar	2.25 S
7	1	43095		43090	Backup washer	13.75 S
8	1	S300	S300		Seal support spacer (L models)	11.25 S
9	1	40154	40154		Seal cartridge ("L" models)	90.00 S
10	1	43205	43205	43200	Retaining ring, bearing	7.00 S
11	2	43225	43225	43220	Ball bearing	45.50/63.50 S
12	1	43015	43015	43010	Drive plate	379.50/465.00 S
13	1	43130	43130	43130	"O"ring, housing seal	2.25 S
14	2	43085	43085	43080	Dowel pin, housing	2.25 S
15	1	43005	43005	43000	Gear housing	210.00/232.25 S
16	2	43020	43020	43020	End plate	372.00 S
17	1	43185	43185		Cap screw, 3/8" NC hex head	2.50 S
18	2	43210	43210	43210	Plunger, reverse flow check	52.00 S
19	1	43060	43060	43060	Spring, reverse flow check	9.25 S
20	1	43290	43290	43290	"O"ring, reverse flow check	2.25 S
21	1	43070	43070	43070	Valve cap, reverse flow check	50.00 S
22	1	43035	43035	43030	Gear housing	157.00 S
23	1	43240	43240	43240	Retaining ring, gear	1.25 S
24	1	43235	43235	43230	Idler shaft	69.00 S
25	1	43255	43255	43250	Ball, idler shaft	2.25 S
26	1	43195	43195	43190	Dowel pin, drive shaft	2.25 S
27	2	43045	43045		Drive shaft	231.00 S
28	2	43270	43270	43270	Hex nut, needle valve	3.50 S
29	1	43292	43292	43292	Backup washer, flat steel, needle valve	2.25 S
30	1	43291	43291	43291	1/2" thread seal, needle valve	13.75 S
31	1	43260	43260	43260	Adjusting screw, needle valve	52.00 S
32	1	43300	43300		Plunger, coasting check	13.75 S
33	1	43305	43305		Spring, coasting check	16.00 S
34	1	43310	43310		"O"ring, coasting check	1.25 S
35	1	43315	43315		Valve cap, coasting check	20.50 S
		41361		41379	Motor kit 310	110.71 S
		41362	41362		Motor kit 304L	110.71 S

# ACE HYDRAULIC MOTOR REPAIR PARTS



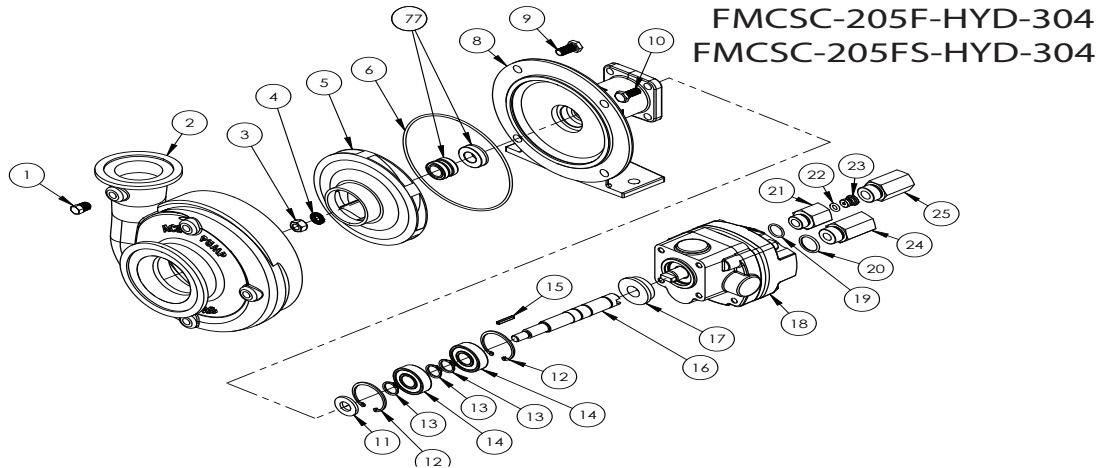
**BAC-75-HYD-204**  
**BAC-75-HYD-206**  
**BAC-75-HYD-210**



		MODEL 204	MODEL 206	MODEL 210		
Ref #	Req'd	Part #	Part #	Part #	Description	Price
1	1	41890	41890	41890	Retaining ring, shaft seal	1.25 \$
2	1	41770	41770	41770	Seal retainer, steel	28.50 \$
* 3	1	41880	41880	41880	Quad ring shaft seal	7.00 \$
4	1	41840	41840	41840	Collar, quad ring shaft seal	6.00 \$
* 5	1	41870	41870	41870	O-ring, seal collar	2.25 \$
* 6	1	41860	41860	41860	O-ring, seal retainer	2.25 \$
7	1	41810	41810	41810	Backup washer, steel	4.75 \$
8	1	41830	41830	41830	Bearing spacer, wire ring	3.50 \$
9 **	1	S200	S200	S200	Seal support spacer (L models)	11.25 \$
11	2	41941	41941	41941	Snap ring, bearing	1.00 \$
12	1	41961	41961	41961	Ball bearing, 7/16" I.D.	51.00 \$
13	1	41731	41731	41731	Drive plate	369.00 \$
* 14 **	2	41850	41850	41850	O-ring, housing seal	2.25 \$
15	1	41720	41721	41725	Gear housing	197.25/208.75 \$
16	2	41800	41801	41805	Dowel pin, housing	3.50/4.75 \$
17	1	41740	41740	41740	End plate	337.00 \$
18	2	41900	41900	41905	Cap screw, 1/4" N.C. hex head	2.25 \$
19	1	41950	41950	41950	Ball, reverse flow check	1.25 \$
20	1	41780	41780	41780	Spring, reverse flow check	2.25 \$
21	1	41820	41820	41820	Washer, nylon, reverse flow check	2.25 \$
22	1	41790	41790	41790	Valve cap, reverse flow check	39.25 \$
23	1	41761	41764	41766	Drive shaft	120.75/132.50/144.25 \$
24	1	41920	41921	41925	Dowel pin, drive shaft	2.25 \$
25	1	41970	41971	41975	Idler shaft	63.50 \$
26	1	41990	41990	41990	Ball, idler shaft	2.25 \$
27	2	41980	41980	41980	Retaining ring, idler gear	2.25 \$
28	2	41750	41751	41755	Gear housing	133.50/133.50/145.25 \$
29	1	42041	42041	42041	Valve cap, coasting check	22.25 \$
* 30 **	1	42044	42044	42044	O-ring, coasting check	2.25 \$
31	1	42042	42042	42042	Spring, coasting check	2.25 \$
32	1	42043	42043	42043	Ball, coasting check	2.25 \$
33	1	40960	40960	40960	Nut, 3/8" N.C. jam, needle valve	.75 \$
34	1	42040	42040	42040	Washer, flat steel, needle valve	3.50 \$
* 35 **	1	42030	42030	42030	Thread seal, 3/8", needle valve	9.00 \$
36	1	42010	42010	42010	Adjusting screw, needle valve	28.50 \$
*		41371	41371	41371	Repair Kit, RK-BAC-75-HYD	117.25 \$
**		41374	41374	41374	Repair Kit, RK-BAC-75-HYD-L	69.75 \$



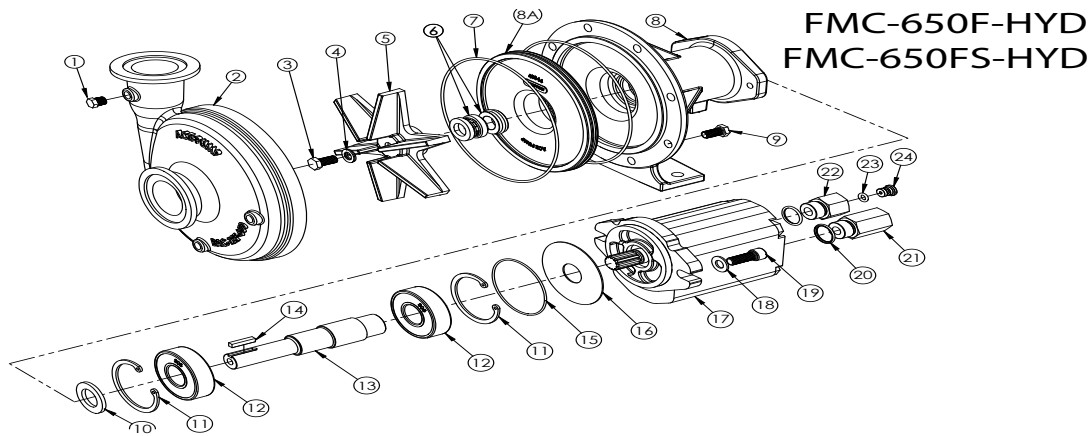
# ACE HYDRAULIC PUMP REPAIR PARTS



FMCS-205F-HYD-304  
FMCS-205FS-HYD-304

Ref #	Req'd	Part #	Description	Price
1	4	BAC-53	Pipe plug	0.60 S
1	4	41120	Pipe plug, stainless steel (-FS model)	5.75 S
2	1	7AC-14-FLG	Volute, 300 standard flange x220 FP flange, cast iron	503.50 S
2	1	7AC-14-FLG-SS	Volute, 300 flange x 220 flange, 316 stainless steel (-FS model)	982.50 S
3	1	BAC-23-B-SS	Nut, 3/8" NF, stainless steel	1.25 S
4	1	BAC-24-B-SS	Washer, 3/8", stainless steel, self-locking	8.00 S
5	1	BAC-26-200-P	Impeller, thermoplastic	150.50 S
5	1	BAC-26-200-CI	Impeller, cast iron (optional)	313.75 S
5	1	BAC-26-200-SS	Impeller, 316 stainless steel (-FS model) (optional)	428.25 S
6	1	BAC-4A	O-ring, body seal	9.00 S
7	1	BAC-7SC-205V	Seal, silicon carbide	194.00 S
8	1	BAC-14-205-HYD	Mounting frame for 205 pump	431.50 S
8	1	BAC-14-205-HYD-SS	Mounting frame for 205 pump, 316 stainless steel (-FS model)	1,037.75 S
9	4	40950	Cap screw, 3/8" NC x 3/4" hex head	0.75 S
9	4	40930	Cap screw, 3/8" NC x 3/4" hex head, stainless steel (-FS model)	2.75 S
10	4	41330	Cap screw, 5/16" NC x 3/4" hex head, motor to pump	0.75 S
11	1	BAC-54	Slinger	2.25 S
12	2	BACH-33	Snap ring, internal, BAC-14-205 mounting frame	1.75 S
13	3	BACH-32-HD	Snap ring, external, BAC-6-205 shaft	3.50 S
14	2	40880	Ball bearing, sealed, BAC-6-205 shaft	27.50 S
15	1	BAC-6-205-HYD-SS	Shaft, extended keyway, tang, stainless steel	230.00 S
16	1	BAC-25	Key, 1/8" x 1/8" x 3/16", extended keyway	1.25 S
17	1	S305	Seal support spacer for 205 series pump	18.00 S
18	1	BAC-75-HYD-304N	Hydraulic motor, 11 GPM, effective 5/13	1,058.00 S
19	1	41875	O-ring, #8 SAE fitting	1.25 S
20	1	41445	O-ring, #10 SAE fitting	1.25 S
21	1	BAC-80-8SAE	Body, restrictor orifice, #8SAE x 1/2" NPT	25.50 S
22	1	41448	O-ring, orifice insert	1.25 S
23	1	BAC-79-8	Orifice insert, restrictor insert, 0.125	13.00 S
24	1	41442	Reverse check assembly, #10 SAE x 1/2" NPT	35.00 S
25	1	LS-304N	Flow limiter (optional)	98.50 S
		RK-FMCS-205	Repair kit for FMC-205 pump with silicon carbide shaft seal	204.75 S
		RK-BAC-75-HYD-300-L	Repair kit for 300 Series hydraulic motor	117.25 S

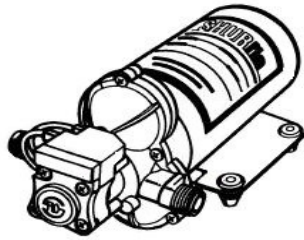
# ACE HYDRAULIC PUMP REPAIR PARTS



FMC-650F-HYD  
FMC-650FS-HYD

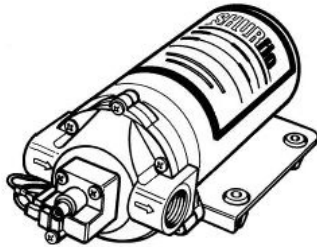
Ref #	Req'd	Part #	Description	Price
1	3	BAC-53	Pipe plug, 1/8" NPT, hex head	0.60 S
1	3	41120	Pipe plug, 1/8" NPT, hex head, stainless steel (optional)	5.75 S
2	1	BAC-12-650-FLG	Volute, NPT & 220 flange x NPT & 200 flange (Fmodel)	546.00 S
2	1	BAC-12-650-FLG-SS	Volute, NPT & 220 x NPT & 200, 316 stainless steel (FS model)	1,037.75 S
3	1	40930	Cap screw, 3/8" NC x 3/4" hex head, stainless steel	2.75 S
4	1	30029	Washer, 3/8" O.D., sealing, stainless steel	2.25 S
5	1	BAC-26-650	Impeller, cast iron, e-coated	305.25 S
5	1	BAC-26-650-SS	Impeller, stainless steel (optional)	534.25 S
6	1	BAC-7-650	Seal, carbon/ceramic/Viton, 3/4"	108.00 S
6	1	BAC-7SC-650	Seal, silicon carbide/Viton, 3/4" (optional)	228.00 S
6	1	BAC-7-650B	Seal, carbon/ceramic/Buna N, 3/4" (for aqua ammonia)	97.50 S
7	1	BAC-4-150	O-ring, volute seal	9.00 S
8	1	BAC-14-650-HYD	Mounting frame, cast iron, e-coated	711.25 S
8	1	BAC-14-650-HYD-LIN	Mounting frame, cast iron, e-coated, for liner (FS model)	767.50 S
8A	1	BAC-16-650-LIN	Liner, 316 stainless steel (FS model)	416.50 S
9	8	40950	Cap screw, 3/8" NC x 3/4" hex head	0.75 S
9	8	40930	Cap screw, 3/8" NC x 3/4" hex head, stainless steel (optional)	2.75 S
10	1	BAC-54-650	Slinger, 1.5" OD x 7/8" ID	5.75 S
11	2	41943	Snap ring, internal, mounting frame	4.50 S
12	2	40875	Bearing, FMC-650 models	49.75 S
13	1	BAC-6-650-HYD-SS	Shaft, 1.13" dia., 11T female spline, stainless steel	384.75 S
14	1	41085	Key, .188 x .188 x .875, FMC-650 models	1.50 S
15	1	43419	O-ring, flange, M Series (effective 6/15)	1.75 S
16	1	43414	Pad, absorbent, M Series (effective 6/15)	5.50 S
17	1	BAC-75-HYD-M16	Motor, hydraulic, pressure plated gear, 14.5 gpm	1,130.00 S
17	1	BAC-75-HYD-M16-CD	Motor, pressure plated gear, 14.5 gpm, case drain (optional)	1,107.75 S
18	2	42701	Washer, 3/8"	0.75 S
19	2	41907	Cap screw, 3/8" NC x 1", socket head	3.50 S
20	2	41445	O-ring, #10 SAE fitting	1.25 S
21	1	41442	Reverse check, #10 SAE male x 1/2" NPT female	35.00 S
22	1	41446	Body, adapter/restrictor, #10 SAE male x 1/2" NPT female	25.50 S
23	1	41448	O-ring, restrictor insert	1.25 S
24	1	BAC-79-8	Restrictor orifice insert, .125	13.00 S
		RK-FMC-650	Repair kit, carbon/ceramic/Viton seal, FMC-650 models	119.25 S
		RK-FMCS-650	Repair kit, silicon carbide/Viton seal, FMC-650 models	239.25 S

# ELECTRIC PUMPS



The High Performance SHURflo 2088 Series represents over 20 years of electric pump development, from the patented three chamber pump-head to its heavy duty motor and bearings. Count on the 2088 and the complete line of SHURflo pumps for long life, unmatched reliability and trouble free performance.

THE MODEL 2088 IS SELF-PRIMING TO 12 FEET & CAN BE RUN DRY WITH OUT DAMAGE.



The SHURflo 8000 Series pump is ideal for the toughest industrial applications requiring high pressure with flow rates up to 1.8 GPM with low AMP draw. Available with valving in a wide variety of elastomers, the 8000 can accommodate a broad spectrum of chemical products. Count on the compact 8000 and the complete line of SHURflo pumps for long life, unmatched reliability and trouble free performance.

THE MODEL 8000 IS SELF-PRIMING TO 8 FEET & CAN BE RUN DRY WITHOUT DAMAGE.

SHURflo ELECTRIC DIAPHRAGM PUMPS MODELS 2088 & 8000						
PART#	VOLTS	MAX GPM	CONTROL	PORTS	MAX AMP DRAW	PRICE
2088-313-145	12-DC	3.6	Adj Demand Switch	1/2" MPT	6.0	391.58 R
2088-343-135	12-DC	2.9	Adj Demand Switch	1/2" MPT	10.8	238.41 R
2088-394-154	12-DC	3.2	Demand Switch	1/2" MPT	0.9	334.31 R
2088-514-144	12-DC	4.0	Adj Demand Switch	1/2" MPT	10.0	342.40 R
8000-543-236	12-DC	1.4	Adj Demand Switch	3/8" FPT	7.3	199.79 R
8000-543-250	12-DC	1.3	Internal Bypass	3/8" FPT	5.5	194.47 R
8000-543-290	12-DC	1.4	External Bypass w/1/4" FPT	3/8" NPT	6.8	201.11 R

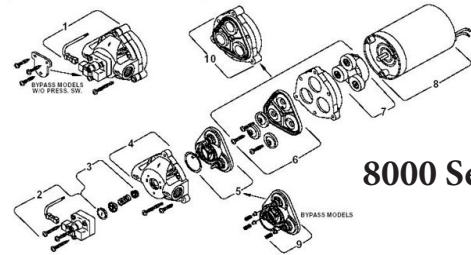
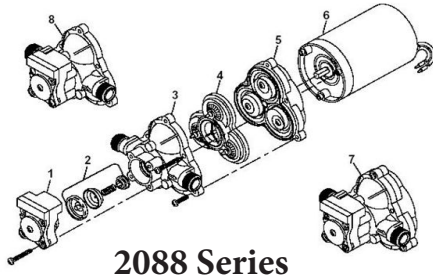


SHURflo FITTINGS & STRAINERS		
PART#	DESCRIPTION	PRICE
8-154-01	SWIVEL WING NUT STRAIGHT 1/2" FPT X 5/8" BARB	1.77 R
8-156-01	SWIVEL WING NUT STRAIGHT 1/2" FPT X 3/4" BARB	11.88 R
8-161-01	SWIVEL WING NUT STRAIGHT 1/2" FPT X 1/2" BARB	2.36 R
8-162-01	SWIVEL WING NUT STRAIGHT 1/2" FPT X 3/8" BARB	10.56 R
8-157-01	SWIVEL WING NUT ELBOW 1/2" FPT X 3/4" BARB	5.72 R
8-155-01	SWIVEL WING NUT ELBOW 1/2" FPT X 5/8" BARB	1.77 R
8-158-01	SWIVEL WING NUT ELBOW 1/2" FPT X 1/2" BARB	2.06 R
8-159-01	SWIVEL WING NUT ELBOW 1/2" FPT X 3/8" BARB	2.06 R
8-034-01	SWIVEL HEXNUT ELBOW 1/2" FPT X 1/2" BARB	2.06 R
8-035-01	SWIVEL HEXNUT ELBOW 1/2" FPT X 1/2" MPT	4.73 R
8-060-01	SWIVEL HEXNUT ELBOW 1/2" FPT X 3/8" BARB	2.06 R

# ELECTRIC PUMP REPAIR PARTS



REF#	PART#	2088 PARTS KITS	PRICE
		DESCRIPTION	
<b>DIAPHRAGM/DRIVE KIT</b>			
5	94-238-03	Santo 3.0 cam for all 2088	54.68 R
<b>VALVE KIT</b>			
4	94-232-05	Poly/Viton for all 2088	79.61 R
<b>CHECK VALVE KIT</b>			
2	94-237-05	Check valve kit, Viton for: 2088-313-145, 2088-343-135, 2088-394-154	36.09 R
<b>UPPER HOUSING WITH SWITCH KIT</b>			
N/P	94-231-05	Viton 40-45 PSI adjustable (LP) for all Viton models w/Mini-Micro Switch	87.24 R
<b>SWITCH KIT</b>			
1	94-230-36	Viton 40-45 PSI adjustable (LP) for: 2088-343-135, 2088-394-154	41.63 R
	94-230-55	Viton 40-45 PSI adjustable (splash proof) for: 2088-313-145	49.49 R
<b>UPPER HOUSING KIT</b>			
3	94-231-30	Poly-Pro 1/2" MPT x 1/2" MPT for all listed 2088 except: 2088-343-170, 2088-343-500	23.42 R



REF#	PART#	8000 PARTS KITS	PRICE
		DESCRIPTION	
<b>DRIVE ASSEMBLY KIT</b>			
10	94-385-03	3.0 cam for all listed 8000 models except: 8000-033-236, 8000-541-236, 8000-343-236	37.92 R
<b>DIAPHRAGM KIT</b>			
6	94-395-05	Viton for 8000-343-236, 8000-033-236	83.70 R
	94-395-06	Santoprene for all listed 8000 models except: 8000-343-236, 8000-033-236	30.62 R
<b>VALVE KIT</b>			
5	94-390-05	Viton for all listed 8000 models except: 8000-543-250, 8007-543-250, 8000-533-250, 8000-542-296	60.76 R
9	94-391-09	Viton 45 PSI bypass for 8000-543-250, 8000-533-250	74.91 R
<b>CHECK VALVE KIT</b>			
3	94-374-05	Viton, 1-way check valve for all listed 8000 models	18.36 R
<b>UPPER HOUSING</b>			
1	94-378-00	Poly-Pro 1/2" male for 8000-543-136	27.91 R
	94-379-00	Poly-Pro 3/8" female for all listed 8000 models except: 8000-543-136	31.00 R
<b>SWITCH KIT</b>			
2	94-375-05	Viton 60 PSI for all listed 8000 models except: 8000-543-250, 8007-543-250, 8000-533-250, 8000-543-290, 8000-543-328	50.53 R
	94-375-15	Viton 80-100 PSI for model 8000-543-238	53.40 R



# EVERFLO AG PUMPS



**EF1000**



**EF2200**



**EF3000, EF4000, EF5500,  
EF7000**

12 VOLT DIAPHRAGM PUMP				
PART#	GPM	PSIMax	PORT	PRICE
EF1000	1	40	3/8" Barb	38.75 R
EF2200	2.2	70	3/8" NPT	81.21 R
EF3000	3	60	1/2" NPT	107.00 R
EF4000	4	60	1/2" NPT	124.80 R
EF5500	5.5	60	1/2" NPT	175.00 R
EF7000	7	60	1/2" NPT	315.00 R
12 VOLT DIAPHRAGM PUMP - QUICK ATTACH				
PART#	GPM	PSIMax	PORT	PRICE
EF2200QA	2.2	70	QA	83.59 R
EF3000QA	3	60	QA	112.00 R
EF4000QA	4	60	QA	127.00 R
EF5500QA	5.5	60	QA	185.00 R
EF7000QA	7	60	QA	322.00 R



QUICK ATTACH ENDS		
PART#	DESCRIPTION	PRICE
EFQCM12	QA x 1/2" MNPT	6.03 R
EFQCA38	QA x 3/8" Hose Barb	4.27 R
EFQCA12	QA x 1/2" Hose Barb	4.60 R
EFQCA34	QA x 3/4" Hose Barb	5.30 R
EFQCEL38	QA x 3/8" Hose Barb Elbow	5.10 R
EFQCEL12	QA x 1/2" Hose Barb Elbow	6.03 R
EFQCEL34	QA x 3/4" Hose Barb Elbow	10.10 R



**EF2200QA**



**EF3000QA, EF4000QA  
EF5500QA**



**EF7000QA**

EVERFLO REPLACEMENT PARTS					
Replacement Head Kit					
PART#	EF2200-KIT	EF3000-KIT	EF4000-KIT	EF5500-KIT	EF7000-KIT
PRICE	45.59 R	61.25 R	71.67 R	104.30 R	119.32 R
Replacement QA Head Kit					
PART#	EF2200QA-KIT	EF3000QA-KIT	EF4000QA-KIT	EF5500QA-KIT	EF7000QA-KIT
PRICE	57.62 R	76.74 R	90.64 R	132.58 R	134.13 R

CABLES		
PART#	DESCRIPTION	PRICE
WH-C	10' On/Off Switch Assembly w/Alligator Clips and 2 Pin Connectors	25.24 R
WH-DCP	8' On/Off Switch Assembly w/Fused DC Plug and 2 Pin Connector	16.00 R

# DURA PRODUCTS

## Auto-Batch Herbicide Meter



DPAB-12E (EPDM)	\$960.00 D
DPAB-12V (VITON)	\$970.00 D
DPAB-15E (EPDM)	\$960.00 D
DPAB-15V (VITON)	\$970.00 D

- \* Select manual or automatic operation with the flip of a switch
- \* Optimized for repeatable batching; returns to last volume dispensed
- \* 100% moisture sealed circuitry
- \* Dura-Meter with impact resistant Lexan faceplate
- \* 12 Volt or 110 Volt, and EPDM or Viton
- \* Measures in gallons, liters and ounces
- \* Includes a 2-year Warranty & Maintenance Program

**SOTERA**  
SYSTEMS

**SS425B** \$1,261.00 Y  
12VDC  
20' battery cable w/clips  
30-amp fuse



**SS470B** \$1,261.00 Y  
12VAC  
6' 18AWG by  
3-conductor  
w/male type B end

### IBC Bracket w/handle

#### Bottom tote connection fittings:

1" NPT street elbow, 1" Ball Valve, 2" to 1" reducing bushing,  
2" female coupler w/female threads, all poly construction

#### EPDM Hose:

1" x 39' (suction), 1" x 12' (discharge), 2 - 90 degree flanges (inlet/outlet),  
Anti Drip Spout, 1" Nozzle Valve w/tip, 2 Year Warranty

### TOTE PUMP & GO KIT

# FILL-RITE

The Most Versatile, Dependable  
Liquid Transfer Pump You Will Ever Need!



**Includes:**

Dip Tube, Suction Hose, Cam Lock,  
Hose Clamp, Discharge Hose, Pump  
and Battery Cable and Clamps

PART# SS415BX731PG \$910.00 Y 12V

PART# SS460BX731PG \$911.00 Y 115V

**Pump Specifications:**

*Reciprocating, spring-driven, dual-diaphragm design*

Flow Rates: Up to 15 GPM (1.5 CPS)

Up to 12 GPM (350 CPS)

**Materials of Construction:**

*Pump - Glass filled polypropylene.*

*Internal Wetted Parts - Polypropylene,  
fluorocarbon and stainless steel.*

*Fluid Viscosities - up to 3000+ CPS*

*Inlet port - 1.0" FNPT*

*Outlet port - 1.0" FNPT*

*Particle tolerance - up to 0.1" diameter.*

**Motor Specifications:**

Available in 12 Volt or 115 Volt

Thermal Overload Protection

1/4 HP 12 V draws 20 amps

1/4 HP 60 HZ (110 Volt AC)

**Mounts directly to drums, containers, and storage tanks.**



### Full Season Pump Application!!

Motor Oil, Waste Oil, Hydraulic Fluid, Transmission Fluid, Soaps & Cleaning Fluids,  
Antifreeze, Propionic Hay, Seed Treatment Liquids, Crop Protection Materials and  
Fertilizers.

# CHEMICAL, HERBICIDE PUMPS

## Sotera Series 400 Transfer Pump



### Model SS415

Pump thick or thin chemicals  
Up to 15 GPM  
Battery cables & clips  
Can pass particulates up to one tenth of an inch

#### Description:

Positive Displacement 12 volt DC powered Chemical diaphragm pump only.



### Model SS417

Pump thick or thin chemicals  
Up to 15 GPM  
Battery cables & clips  
Can pass particulates up to one tenth on an inch  
Includes 12' discharge hose & nozzle/ball valve

**Description:** Complete series 700 pump with suction and discharge kit for application as a drum pump or barrel pump. Great for agriculture, industrial maintenance, material handling and car wash.



### Model SS419X665

Pump thick or thin chemicals  
Up to 15 GPM  
Includes hoses & ball valve  
Battery cables & clips  
Can pass particulates up to one tenth on an inch

#### Description:

Positive Displacement 12 volt DC powered Chemical diaphragm pump system. Used to adapt to Monsanto keylock adapter.



### Model SS445

Pump thick or thin chemicals  
Up to 15 GPM  
Integral Liquid recirculation  
Includes 825 digital meter  
Includes hoses, suction tubes, ball valve, battery cables & clips  
Can pass particulates up to one tenth of an inch

**Description:** Basic 12 volt DC transfer pump with Santoprene® diaphragm, 20' battery cable, 1" x 12' EPDM hose, ball-valve nozzle, 825 digital meter, designed for liquid recirculation mixing only and GEM Cap tank mounting.



SOTERA SERIES 400 PUMPS		
PART#	DESCRIPTION	PRICE
SS415B	Pump ONLY	807.00 Y
SS420B	Pump w/Hose, Nozzle & Tube	929.00 Y
SS445B	Recirculation Pump w/Hose, Nozzle & Tube (GemCap Adapter & Digital Meter)	1,223.00 Y
SS417B	Pump w/Hose, Nozzle & Tube (2" NPT or Buttress Opening)	852.00 Y
SS419BX665	Pump w/Hose, Nozzle & Tube (Monsanto Keylock Adapter)	891.00 Y

## CHEMTRAVELLER® Pumps

The portability and flexibility of the Chemtraveller allows for top and bottom mount directly to drums, containers and storage tanks.

### Model: SS435X713

Basic 12 Volt DC transfer pump only with complete top and bottom discharge kits. Provided a wide range of applications for drums, barrels, totes or IBCs.



### Model: SS435

Basic 12 Volt DC transfer pump with Santoprene® diaphragms, 20' battery cable/battery clips, 1" x 14" EPDM discharge hose, 1" x 9' EPDM suction hose, ball valve nozzle, 825 digital meter and low profile tubular frame.

### Model: SS465X713

Basic 115 Volt AC transfer pump with Santoprene® diaphragms, 1" x 14' EPDM discharge hose, 1" x 9' EPDM suction hose, ball valve nozzle, high profile tubular frame and wheel kit.

CHEMTRAVELLER PUMPS		
PART#	DESCRIPTION	PRICE
SS435BX713	12V PUMP KIT NO METER	1,286.00 Y
SS465BX713	115V PUMP KIT W/METER	1,385.00 Y

## METERS



Model: 850

Description:

Pre-calibrated flowmeter, nutating disc, compact, durable, accurate and for use with many kinds of chemicals. Can be used at the pump or at the end of the hose. Added capability of air sensing. Will not register air.



Model: 825

Description: Pre-calibrated flowmeter, nutating disc, compact, durable, accurate and for use with many kinds of chemicals. Can be used at the pump or at the end of the hose.

SOTERA SYSTEMS FLOWMETERS						
PART#	DESCRIPTION	GPM	ACCURACY	CALIBRATE	INLET/ OFFLET	PRICE
FR-825	825 DIGITAL METER	2 TO20	+/- 0.5%	YES	1"	315.00 Y
FR-850	850 DIGITAL METER	2 TO 20	+/- 0.5%	YES	1"	404.00 Y



DRY DISCONNECT - PF SERIES		
PART#	DESCRIPTION	PRICE
PF-1001-16FP	Coupler - 1" FML x FPT Poly	125.00 R
PF-1002-32MP	Coupler - 1" Nipple x 2" NPT	39.00 R



# DURA PRODUCTS

## CHEMICAL TRANSFER PUMPS & METER



### DURA-ABS AUTO-BATCH SYSTEM

#### How It Works

- 1 Select the volume desired
- 2 Press **START**
- 3 The pump will begin to dispense fluid and automatically shuts off when complete.

- \ Intuitive interface allows for the selection of manual or automatic operation with the flip of a switch
- \ High-flow pump with up to 15GPM flow rate
- \ Optimized for repeatable batching; returns to the last volume amount dispensed
- \ 100% moisture sealed circuitry
- \ Includes Dura-Meter with impact resistant Lexan faceplate
- \ Available in 12 Volt or 110 Volt, and EPDM or Viton options
- \ 2 year warranty

PART#	DESCRIPTION	PRICE
DPABS-4312E	EPDM 12 Volt	1,675.00 A
DPABS-4312V	VITON 12 Volt	1,775.00 A
DPABS-4315E	EPDM 110 Volt	1,800.00 A
DPABS-4315V	VITON 110 Volt	1,875.00 A



The DuraPump Easy-Caddy Frame Assembly provides the ability to quickly attach the pump system to the frame of the IBC/cage tank. The system includes a 1" x 12' EPDM discharge hose, 1" x 18" EPDM suction hose, 2" cam lock, with hose barbs and hose clamps, and ball valve nozzle.

- DPE-4012E** (EPDM, without meter) \$910.00 A
- DPE-4015V** (Viton, without meter) \$1,050.00 A



The DuraPump top unload configuration allows for the pump to be vertically threaded into a standard 2" NPT bung. Included is a telescoping dip tube, 1" x 12' EPDM discharge hose with hose barbs and hose clamps, ball valve nozzle.

- DPT-4012E** (EPDM, w/o meter) \$814.00 A
- DPT-4012V** (Viton, w/o meter) \$865.80 A
- DPT-4015E** (EPDM, w/o meter) \$900.00 A
- DPT-4015V** (Viton, w/o meter) \$950.00 A



The DuraPump bottom unload configuration allows for the pump to be mounted to the bottom 2" valve. Included is a 2" cam lock, 1" x 12' EPDM discharge hose with hose barbs and hose clamps, ball valve nozzle.

- DPB-4012E** (EPDM, without meter) \$825.00 A
- DPB-4012V** (Viton, without meter) \$875.00 A



### Dura-Meter

- \* Made of impact resistant Lexan faceplate
- \* 100% moisture-sealed circuitry makes meter impervious to water intrusion
- \* Menu driven backlit display
- \* Plumbed both for in-line and 90 degree applications
- \* Features 2 -year Warranty & Maintenance Program

- DP-3000V** (Viton) \$410.00 A

# DURA PRODUCTS

## Diaphragm Transfer Pump

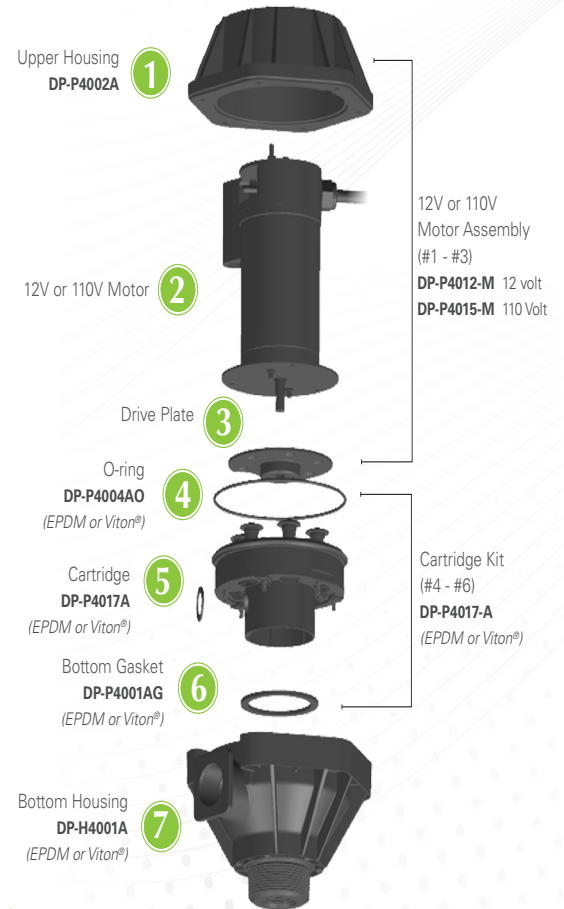
The DuraPump is self priming, can be run dry without damage, has an internal bypass, and is easily field repairable. The DuraPump suction port is configured with a 2" Male NPT x 1" Female NPT for easy plumbing capabilities. The discharge port is a 1" Female NPT. The DuraPump features 2 year warranty.



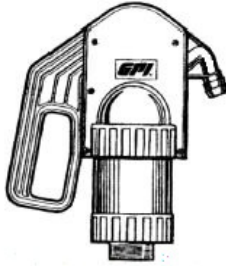
**DP-4012E** (12 volt, EPDM) \$780.00 A  
**DP-4012V** (12 volt, Viton) \$825.00 A

**DP-4015E** (110 volt, EPDM) \$865.00 A  
**DP-4015V** (110 volt, Viton) \$905.00 A

DURA-PUMP PARTS			
Ref #	PART #	DESCRIPTION	PRICE
1	DP-P4002A	Upper Housing	33.92 A
	DP-P4012-M	12V Motor Assembly (#1 - #3)	558.00 A
	DP-P4015-M	110V Motor Assembly (#1 - #3)	656.00 A
4	DP-P4004AO-E	O-ring EPDM	17.00 A
4	DP-P4004AO-V	O-ring Viton	22.00 A
5	DP-P4017A-E	Cartridge EPDM	170.20 A
5	DP-P4017A-V	Cartridge Viton	183.15 A
	DP-P4017-AE	Cartridge Kit EPDM (#4 - #6)	170.20 A
	DP-P4017-AV	Cartridge Kit Viton (#4 - #6)	183.15 A
6	DP-P4001AG-E	Bottom Gasket EPDM	22.00 A
6	DP-P4001AG-V	Bottom Gasket Viton	28.00 A
7	DP-H4001A-E	Bottom Housing EPDM	106.00 A
7	DP-H4001A-V	Bottom Housing Viton	121.00 A
	DP-G4001A-E	Gasket Kit EPDM	50.00 A



# CHEMICAL, HERBICIDE PUMPS



**SINGLE ACTION PISTON HAND PUMP**  
 DESIGNED FOR HERBICIDES, INSECTICIDES, FUNGICIDES & FERTILIZERS  
 POLYPROPYLENE AND VITON WETTED PARTS  
 ADJUSTABLE SUCTION PIPE  
 ONE PINT PER STROKE  
 3/4" INLET & 1/2" ANTI-DRIP SPOUT WITH HOSE BARB  
 MOUNTS EASILY ON 55 GALLON BARREL OR TANK WITH 2" NPT THREADS

**PART# LP-50H \$138.00 A**



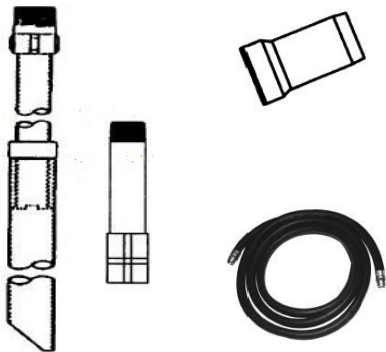
**12VDC MOTOR WITH LOW AMP DRAW OF 15-25 AMPS UNDER NORMAL CONDITIONS, LIGHTWEIGHT, DURABLE MOLDED PLASTIC HOUSING**  
 DEPENDABLE ROTARY GEAR DESIGN  
 30 MINUTE DUTY CYCLE  
 INSTALLS ON 2" BUNG  
 HIGHLY PORTABLE WITH CARRYING HANDLE

**PART# P-120H \$945.00 A**



**PUMP RATE TO 30 GPM, EASY-CHANGE STROKE SETTING (2 OR 1 QUART)**  
 PUMPS WIDE VARIETY OF PRODUCTS, LIGHTWEIGHT ALUMINUM CONSTRUCTION, FITS CONTAINERS WITH 2" BUNG, VITON SEALS  
 HARDENED STEEL HANDLE, SPIN COLLAR FOR EASY INSTALLATION  
 AIR VALVE IN BODY TO PREVENT SIPHONING  
 BUILT-IN NOZZLE HOLDER  
 COMES WITH 40" SUCTION TUBE & 8' EPDM HOSE

**PART# HP100-C \$478.00 A**



GPI ACCESSORIES		
PART#	DESCRIPTION	PRICE
110100-2	PLASTIC ADJUSTABLE DROP PIPE 22" TO 40"	42.90 R
F0236	ANTI-DRIP FOR BANJO NOZZLE	24.00 Y
F0237	ANTI-DRIP FOR NORWESCO NOZZLE	48.26 R
110094-1	EPDM CHEMICAL RESISTANT HOSE ASSY 15'	54.95 R
CHEM1-12	EPDM HOSE ASSMY 1" x 12'	63.04 R



# PLANTER MANIFOLDS REBOUNDER SEED COVERS

## PLMK12, 16 & PLMK24

Wilger style Planter Manifolds for application of starter fertilizer and chemicals.

12 row section shown, Kit includes: 2 or 4 “six row manifolds”, orifices, 1/4” tubing for each row, 30’ 1/2” supply hose, 1/4” push tube outlets.

**MOUNTING HARDWARE NOT INCLUDED.**

PART#	PLMK12	\$450.00 R
PART#	PLMK16	\$675.00 R
PART#	PLMK24	\$825.00 R



## MOUNTING PLATES/LED LIGHTS

MOUNTING PLATE		
PART #	DESCRIPTION	PRICE
TA-H3706	6 Row for CDS-John Blue & Redball Flow Monitors	24.00 NET
TA-H3712	12 Row for CDS-John Blue & Redball Flow Monitors	40.75 NET
TA-IW3706	6 Row for Wilger Flow Monitors	26.75 NET
TA-IW3708	8 Row for Wilger Flow Monitors	35.25 NET
TA-IW3712	12 Row for Wilger Flow Monitors	48.00 NET
TA-IW3716	16 Row for Wilger Flow Monitors	53.95 NET
TA-IW3718	18 Row for Wilger Flow Monitors	57.50 NET
LED LIGHT STRIP		
PART #	DESCRIPTION	PRICE
TA-6RLED	6 Row LED Light Strip w/Plug	28.95 NET
TA-8RLED	8 Row LED Light Strip w/Plug	36.95 NET
TA-12RLED	12 Row LED Light Strip w/Plug	42.75 NET
TA-16RLED	16 Row LED Light Strip w/Plug	52.00 NET
TA-18RLED	18 Row LED Light Strip w/Plug	58.00 NET

## REBOUNDER

REBOUNDERS & ACCESSORIES		
PART#	DESCRIPTION	PRICE
REB-02	Super Tough Orange JD	30.00 NET
REB-03	Y-Not Split Kit	6.25 NET
REB-04	Hose Holder Kit	4.40 NET
BCV6	Bullet Check Valve	6.75 NET
W	Wedge	3.00 NET



# PLANTER PUMPS FOR FERTILIZER

## EVERFLO DIAPHRAGM PUMP



5.5 GPM open flow

Motor: 12 VDC permanent magnet, totally enclosed, non-ventilated

Pump: 5 chamber positive displacement diaphragm pump, self priming, capable of being run dry, demand mode

**Inlet/Outlet Ports:**1/2" FNPT

**PART# EF5500 \$175.00 R**



## PLPK5.5M

**Manual pump kit for application of starter fertilizers and chemicals.**

Kit includes: 5.5 GPM pump, strainer, regulator, glycerin gauge, valve, all plumbing, 3/4" inlet, 1/2" outlet, mounting bracket, assembled as shown.

**PART# PLPK5.3M \$425.00 R**



## PLPK5.5E

**Electric control pump kit for application of starter fertilizer and chemicals.**

Kit includes: 5.5 GPM pump, strainer, valve, all plumbing, 3/4" inlet, 1/2" outlet, gauge tubing for remote gauge mounting bracket not included, assembled as shown. Need 3BEC control or other electric control.

**PART# PLPK5.3E \$375.00 R**



## MSC30-SSG

**Electric Control for Planter Pumps.**

25 amp motor control with stainless steel gauge, will work with all electric diaphragm pumps.

**PART# MSC30-DD (Digital) \$400.00 R**



## WILGER FLOW TUBES & PLANTER MANIFOLD KITS

Easy to see, visual indicator of liquid flow. If one of the “float balls” is lower than the others, there is a blockage. Individual columns clip together so you can gang as many or as few columns as you need. Exclusive O-ring seal and joint clip system is easy to assemble and service. Range of “float balls” lets you match to your flow rate. 3/8”, 1/2” & 3/4” inlet and/or outlet fittings. 100 PSI maximum operating pressure. UV protected material stays clear.



PART#	DESCRIPTION	PRICE
20460-00	FLOW INDICATOR ASSEMBLY with BUNA-N O-RING	29.55 S
20460-02	BALL RETAINER	.85 S
20460-03	O-RING BUNA-N #212	.39 S
20460-04	LOCK U-CLIP, 302SS	2.04 S
20460-05	BALL-FLOW INDICATOR - 1/2", 302SS	2.07 S
20460-06	BALL-FLOW INDICATOR - MAROON GLASS	.99 S
20460-07	BALL-FLOW INDICATOR - RED CELCON	.99 S
20460-08	BALL-FLOW INDICATOR - GREEN POLYPRO	.99 S
20460-10	BALL-FLOW INDICATOR - 7/16", 302SS	2.23 S
20460-13	BALL-FLOW INDICATOR - ORANGE POLYPRO	.99 S
20501-00	ORS x HOSE SHANK - STRAIGHT - 3/8"	3.87 S
20502-00	ORS x HOSE SHANK - STRAIGHT - 1/2"	3.87 S
20503-00	ORS x HOSE SHANK - STRAIGHT - 3/4"	3.87 S
20511-00	ORS x HOSE SHANK - 90 DEGREE - 3/8"	3.87 S
20512-00	ORS x HOSE SHANK - 90 DEGREE - 1/2"	3.87 S
20513-00	ORS x HOSE SHANK - 90 DEGREE - 3/4"	3.87 S
20514-00	ORS x HOSE SHANK - 90 DEGREE - 5/8"	3.87 S
20516-00	ORS MALE x 1/4" PUSH-IN TUBE - 90 DEGREE	6.92 S
20517-00	ORS MALE x 3/8" PUSH-IN TUBE - 90 DEGREE	7.63 S
20518-00	ORS MALE x 1/4" NPF 90 DEGREE	3.87 S
20519-00	ORS MALE x 1/4" NPFT	3.87 S
20520-00	ORS MALE x ORS FEMALE - 90 DEGREE	8.23 S
20521-00	ORS CAP	4.56 S
20523-00	ORS MALE x ORS FEMALE x 3/8" NPTF - ISOLATOR TEE	8.66 S
20524-00	ORS MALE x ORS FEMALE x 3/8" NPTF - TEE	8.66 S
20525-00	ORS MALE x ORS MALE x 1" NPTF FE - TEE	10.37 S
20526-00	ORS MALE x ORS MALE x ORS FEMALE - TEE with 1/4" NPTF PORT	10.37 S
21000-00	ORIFICE INSERT ASSY BLANK with SEAL	.99 S
21025-01	ORIFICE INSERT ASSY - 0.025" DIA with SEAL	5.59 S
21055-01	ORIFICE INSERT ASSY - 0.055" DIA with SEAL	5.59 S
21070-01	ORIFICE INSERT ASSY - 0.070" DIA with SEAL	5.59 S
21104-01	ORIFICE INSERT ASSY - 0.104" DIA with SEAL	5.59 S
21250-01	ORIFICE INSERT ASSY - 0.250" DIA with SEAL	5.59 S

# Flow Indicator Ball & Metering Orifice Flow Chart



1 Calculate the flow rate required with this formula;  $GPM = GPA \times MPH \times \text{Nozzle Spacing in inches}$   
5940

2 Combine the flow rates of all nozzles connected to a column.

3 For solutions other than water, find the conversion factor for the weight of the solution in the chart.

4 Multiply the calculated GPM by the conversion factor from the chart.

5 Find the ball and metering orifice for the flow in the charts.

Conversion Factor Chart								
Weight lbs/gallon	7.00	8.34 Water	9.00	10.00	10.65	11.00	12.00	14.00
Specific Gravity	0.64	1.00	1.08	1.20	1.28	1.32	1.44	1.68
Conversion Factor	0.92	1.00	1.04	1.10	1.13	1.15	1.20	1.30

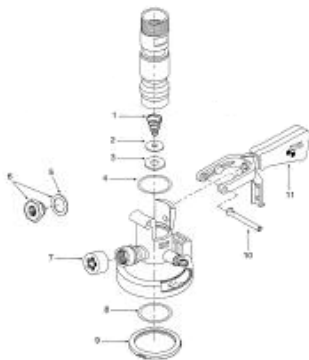
Flow Ball Chart		Flow Range per Column	
PART#	Ball	From	To
20460-08	Green Polypro	0.05	0.18
20460-07	Red Celcon	0.09	0.30
20460-06	Maroon Glass	0.31	0.72
20460-05	1/2" SS	0.40	1.33
20460-10	7/16" SS	1.00	2.70

Flow Metering Orifice Insert Chart													
Part Number Code: 3 Numbers Following 21 Are Orifice Size in 0.000"; -00 for Buna, -V0 Viton													
To install metering orifice, remove ball retainer, insert O'ring end of orifice into ORSM end on outlet fitting.													
Pressure PSI							Pressure PSI						
PART#	5	10	15	20	30	40	PART#	5	10	15	20	30	40
21009-XX	0.004	0.005	0.006	0.007	0.009	0.01	21104-XX	0.48	0.68	0.83	0.96	1.17	1.35
21011-XX	0.006	0.008	0.01	0.011	0.014	0.016	21107-XX	0.52	0.73	0.90	1.04	1.27	1.47
21013-XX	0.008	0.011	0.013	0.016	0.019	0.022	21110-XX	0.55	0.77	0.95	1.09	1.34	1.55
21015-XX	0.010	0.014	0.018	0.02	0.025	0.029	21113-XX	0.58	0.82	1.01	1.16	1.42	1.64
21018-XX	0.015	0.021	0.025	0.029	0.036	0.042	21116-XX	0.61	0.86	1.05	1.22	1.49	1.72
21020-XX	0.016	0.026	0.032	0.037	0.045	0.052	21120-XX	0.63	0.89	1.09	1.26	1.54	1.78
21022-XX	0.022	0.031	0.037	0.043	0.053	0.061	21125-XX	0.69	0.98	1.20	1.39	1.70	1.96
21025-XX	0.028	0.039	0.048	0.056	0.068	0.079	21128-XX	0.72	1.02	1.25	1.45	1.77	2.04
21028-XX	0.035	0.049	0.06	0.069	0.085	0.098	21132-XX	0.78	1.10	1.34	1.55	1.90	2.19
21031-XX	0.043	0.061	0.075	0.087	0.11	0.12	21136-XX	0.84	1.19	1.46	1.68	2.06	2.38
21034-XX	0.052	0.073	0.09	0.10	0.13	0.15	21140-XX	0.89	1.26	1.55	1.79	2.19	2.53
21037-XX	0.061	0.086	0.11	0.12	0.15	0.17	21144-XX	0.93	1.31	1.61	1.85	2.27	2.62
21040-XX	0.072	0.10	0.13	0.14	0.18	0.20	21147-XX	0.95	1.35	1.65	1.90	2.33	2.69
21043-XX	0.082	0.12	0.14	0.16	0.20	0.23	21150-XX	1.02	1.44	1.77	2.04	2.50	2.89
21046-XX	0.095	0.13	0.16	0.19	0.23	0.27	21152-XX	1.05	1.49	1.82	2.10	2.58	2.98
21049-XX	0.10	0.15	0.18	0.21	0.26	0.29	21156-XX	1.10	1.55	1.90	2.20	2.69	3.11
21052-XX	0.12	0.17	0.21	0.24	0.29	0.33	21161-XX	1.16	1.63	2.00	2.31	2.83	3.27
21055-XX	0.13	0.19	0.23	0.27	0.33	0.38	21166-XX	1.21	1.71	2.10	2.42	2.97	3.43
21057-XX	0.14	0.20	0.24	0.26	0.35	0.40	21171-XX	1.33	1.88	2.30	2.66	3.26	3.76
21060-XX	0.16	0.22	0.27	0.32	0.39	0.45	21177-XX	1.41	2.00	2.45	2.83	3.46	4.00
21063-XX	0.17	0.25	0.30	0.35	0.43	0.49	21182-XX	1.47	2.08	2.55	2.95	3.61	4.17
21067-XX	0.20	0.28	0.34	0.39	0.48	0.56	21187-XX	1.56	2.21	2.70	3.12	3.82	4.41
21070-XX	0.22	0.31	0.37	0.43	0.53	0.61	21196-XX	1.73	2.45	3.00	3.46	4.24	4.90
21073-XX	0.23	0.33	0.40	0.47	0.57	0.66	21205-XX	1.87	2.85	3.25	3.75	4.59	5.30
21075-XX	0.25	0.35	0.42	0.49	0.60	0.69	21213-XX	2.02	2.85	3.49	4.03	4.94	5.70
21078-XX	0.27	0.39	0.47	0.54	0.67	0.77	21218-XX	2.11	2.98	3.65	4.21	5.16	5.96
21081-XX	0.29	0.41	0.50	0.58	0.71	0.82	21234-XX	2.45	3.47	4.25	4.61	6.01	6.94
21086-XX	0.33	0.47	0.57	0.68	0.81	0.94	21250-XX	2.83	4.00	4.90	5.86	5.93	8.00
21089-XX	0.35	0.49	0.60	0.69	0.85	0.98							
21091-XX	0.37	0.52	0.64	0.74	0.91	1.05							
21093-XX	0.39	0.55	0.67	0.77	0.95	1.09							

# MICRO MATIC COMPONENTS

MACRO VALVE COUPLERS ELIMINATE CONTAINER RINSING AND DISPOSAL. THE EFFICIENT, CLOSED SYSTEM MINIMIZES EXPOSURE IN LIQUID TRANSFER SYSTEMS.

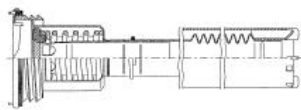
## MACRO VALVE



PART#	DESCRIPTION	PRICE
724-065	VALVE <b>Viton</b> SEALS	360.34 Y
724-067	VALVE <b>EPDM</b> SEALS	352.75 Y

REF#	PART#	DESCRIPTION	PRICE
1	100-615	NVR Spring	7.07 Y
2	724-320	NVR Spring Retainer	15.31 Y
3	102-525	Probe Seal <b>EPDM</b>	5.78 Y
3	102-875	Probe Seal <b>Viton</b>	11.60 Y
4	102-746	O-ring <b>EPDM</b>	3.92 Y
4	102-872	O-ring <b>Viton</b>	5.53 Y
5	102-848	Washer, Nylon	1.30 Y
6	724-106	Thread Adapter Kit	12.74 Y
7	102-553	Main Gasket <b>EPDM</b>	20.48 Y
7	102-874	Main Gasket <b>Viton</b>	32.18 Y
8	724-131	PRV Assy. <b>EPDM</b>	31.35 Y
8	724-133	PRV Assy. <b>Viton</b>	34.76 Y
9	724-102	Handle Hinge Pin	7.07 Y
10	748-100	Pull Handle Assy.	70.80 Y
	3062MB	SEAL KIT <b>EPDM</b>	34.00 Y
	3063MB	SEAL KIT <b>Viton</b>	57.00 Y

## ACCESSORIES



### MOUNTING BRACKET

PART# CC2302  
PRICE: \$54.72 Y

PART#	DESCRIPTION	PRICE
743-007	2" BSP, <b>EPDM</b> (fine)	56.20 Y
743-008	2" BSP, <b>Viton</b> (fine)	61.46 Y
743-086	2.5" x 5 Buttress, <b>EPDM</b>	56.20 R
743-087	2.5" x 5 Buttress, <b>Viton</b>	61.46 R



### RINSING SOCKET, EPDM

PART# CC2511  
PRICE: \$111.43 Y



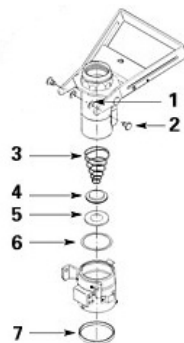
### RINSING SOCKET, EPDM

PART# CC2301  
PRICE: \$153.83 Y

### FLEX TUBE ASSY

PART# 743-203  
PRICE: \$7.75 Y

## DRUM VALVE



DRUM VALVES		
PART#	DESCRIPTION	PRICE
5073	VALVE <b>VITON</b> SEALS	180.00 Y
744-002	VALVE <b>EPDM</b> SEALS	170.82 Y
744-003	VALVE <b>VITON</b> SEALS	180.00 Y

REF#	PART#	DESCRIPTION	PRICE
1	101-753	Retaining Ring	2.32 Y
2	744-319	Grooved Handle Pin	3.67 Y
3	100-031	Dry Break Spring	2.34 Y
4	744-314	Dry Break Insert	6.23 Y
5	102-073	Probe Seal <b>EPDM</b>	3.67 Y
5	102-074	Probe Seal <b>Viton</b>	13.46 Y
6	102-061	Body O-ring <b>EPDM</b>	3.65 Y
6	102-062	Body O-ring <b>Viton</b>	7.22 Y
7	102-067	Main Gasket <b>EPDM</b>	7.96 Y
7	102-068	Main Gasket <b>Viton</b>	12.12 Y
	3080DV	Seal Kit	32.75 Y

# SAFETY EQUIPMENT

## DECONTAMINATION KIT

WSK-28

- 1 Draw String Bag
- 1 Gallon Water Bottle
- 1 16oz Eyewash Bottle
- 1 Tyvek Suit
- 1 Pair Tyvek Booties
- 1 Pair 224 Chemical Gloves
- Towels
- 4oz Liquid Suds Soap

\$48.00 NET

WSK-34

- 1 Draw String Bag
- 3 One Gallon Water Bottles
- 1 16oz Eyewash Bottle
- 1 Tyvek Suit
- 1 Pair Tyvek Booties
- 1 Pair 224 Chemical Gloves
- Towels
- 4oz Liquid Suds Soap

\$55.00 NET

## NH3 GLOVE



- PART# C85 \$9.25 R
- PART# C85HD \$14.95 R  
(HEAVY DUTY)

## CHEMICAL GLOVES



PART#	SIZE	PRICE
37-145-10	10 - 13"	3.95 R
37-145-11	11 - 13"	3.95 R
37-165-10	10 - 15"	14.00 R
37-165-11	11 - 15"	14.00 R

## NITRILE GLOVES



\$28.00 NET

- PART# RAVEN-M
- PART# RAVEN-L
- PART# RAVEN-XL
- PART# RAVEN-XXL

## MECHANIC GLOVES



- PART# MC18-L \$13.00 NET
- PART# MC18-XL \$13.00 NET

## TYVEK COVERALLS

DISPOSABLE COVERALLS MADE OF DUPONT TYVEK MATERIAL FOR DURABILITY, ECONOMY AND PRACTICALITY. FULL CUT FOR COMFORT WITH FULL LENGTH ZIPPER AND SHIRT COLLAR.



PART#	SIZE	PRICE
C-XL	XL	12.00 R
C-XXL	XXL	12.00 R
C-XXXL	XXXL	14.00 R
C-XXXXL	XXXXL	14.00 R

## FOGLESS SOFTSIDE GOGGLES



PART# 552F \$7.25 R

## MECHANIC GLOVES DEERSKIN



- PART# MCD22-L \$20.00 NET
- PART# MCD22-XL \$20.00 NET

## SURVIVAIR DUAL CARTRIDGE RESPIRATOR

DURABLE SILICONE FACEPIECE GUARANTEED TO WITHSTAND FIVE YEARS OF WASHING NEW, IMPROVED YOKE AND HEAD HARNESS DESIGN REDUCES FACEPIECE SLIPPAGE, UNIQUE SLIDING ADJUSTMENT SYSTEM ON HEAD HARNESS KEEPS LOOSE STRAPS SECURE AND OUT OF WEARER'S VISION.



PART#	DESCRIPTION	PRICE
53P71-LAR	RESPIRATOR	43.95 R

# MISCELLANEOUS



**PART# JETRINSE \$50.00 R**

## JET RINSE

THE JET RINSE NOZZLE ELIMINATES TRIPLE RINSING OF CHEMICAL CONTAINERS. USE IT ON METAL OR PLASTIC CONTAINERS. THE NOZZLE DIRECTS WATER IN SEVERAL DIRECTIONS TO PROPERLY RINSE THE CONTAINER. CONTAINER RESIDUES THEN GO DIRECTLY INTO THE SPRAY TANK.



## TIP CLEANING BRUSH

**PART# CP20016-NY \$13.10 S**



## CALIBRATION CONTAINER

**PART# CP24034-PP \$59.07 S**

**PART# FJ025 (8.5OZ) \$ 6.75 R**

**PART# FJ100 (32OZ) \$ 9.43 R**

**PART# FJ200 (64OZ) \$13.75 R**

**PART# FJ300 (128OZ) \$19.00 R**



## HOSE CUTTER

PART#	DESCRIPTION	PRICE
KCSS200	Large Hose Cutter	27.95 A
SSB200	Blade Large Cutter	13.50 R
KCT100	Small Hose Cutter	26.85 A
B8983	Blade Small Cutter	13.50 R

## DENSITY SCALE

**PART# FE8000 \$70.00 R**

**PART# FE8888 \$44.75 R**



## BOOSTER CABLES

PART#	DESCRIPTION	PRICE
BC412	4 Gauge 12' Cables	86.95 NET
BC420	4 Gauge 20' Cables	109.95 NET



## TUBE CUTTER

PART#	DESCRIPTION	PRICE
44103218	Tube Cutter	23.58 R
44103219	Blade (5pk)	9.11 R



## CABLE TIES

Part#	Size	Qty	Price
21019C	8"	100	CALL
21094C	11-1/2"	100	CALL
21046C	14"	100	CALL
21092	21"	50	CALL
21598	32"	50	CALL

## PLASTIC HOSE CLAMPS



## PLASTIC HOSE CLAMPS

Part#	Min Dia	Max Dia	Price	Part#	Min Dia	Max Dia	Price
HCP1	0.228	0.256	.59 S	HCP10	0.569	0.65	.69 S
HCP1.25	0.269	0.291	.63 S	HCP12	0.616	0.707	.63 S
HCP1.5	0.307	0.342	.69 S	HCP14	0.702	0.801	.69 S
HCP2	0.351	0.394	.69 S	HCP16	0.759	0.848	.69 S
HCP3	0.387	0.44	.61 S	HCP18	0.779	0.899	.69 S
HCP4	0.404	0.452	.69 S	HCP19	0.859	0.989	.68 S
HCP6	0.449	0.511	.72 S	HCP22	0.928	1.072	.72 S
HCP7	0.453	0.546	.72 S	HCP24	0.985	1.135	.72 S
HCP8	0.513	0.586	.72 S	HCP28	1.123	1.296	.72 S

# MISCELLANEOUS



**FRESH CAB  
BOTANICAL  
RODENT REPELLENT**  
PART# FRESHCAB \$15.00 A

Simply place Fresh Cab pouches in enclosed areas and you are set.

For non-infested areas, place one pouch for every 125 sq. ft.

Scent lasts up to 90 days.

For infested areas, increase to 1 pouch per 8 sq. ft. and replace every 30 days.



**Spray Advantage Windsock**

PART# WINDSOCK \$17.90 NET



**KESTREL POCKET WIND METER**

PART# 1000 \$107.75 Y

Accurate, rugged hand-held wind/airflow meter with large, replaceable impeller.

Measures and displays maximum, current and average wind speed in m/s, ft/min, km/h, kt, B on large, clear LCD.

Waterproof, floats, drop-tested to military standards.

Includes slip-on protective cover, neck lanyard, CR2032 coin cell battery and 5-year warranty.



**AGRICULTURAL WINDSOCK KIT**

Calibrated to indicate wind-speeds from 2 to 12 miles per hour.  
(windsock, fiberglass pole, hardware)

PART# AGW-100 \$80.00 NET

Replacement Sock  
PART# AGW-100R \$60.00 NET



PART# 2000 \$147.50 Y

Accurate, rugged hand-held wind/airflow meter with large, replaceable impeller and responsive temperature sensor.

Measures and displays maximum, current and average wind speed, wind chill and air/snow/water temperature (F, C) on large, clear LCD.

Waterproof, floats, drop-tested to military standards.

Includes slip-on protective cover, neck lanyard, CR2032 coin cell battery and 5-year warranty.



**WINDSOCK KIT**  
(windsock, 30" pole, brackets, hardware)  
PART# AWCK-10 \$110.00 NET

Replacement Sock  
PART# AWCS10-36 \$45.00 NET



# GARDEN & HAND SPRAYERS



## MASTER GARDENER -Rechargeable Sprayer

### FEATURES:

- \* Rechargeable 12 Volt Battery
- \* 2 Hour Run Time on Single Charge
- \* Front Mounted Nozzle with 50" Swath
- \* 18' Vertical and 20' Horizontal Spray
- \* Includes Hitch Bar for Towing
- \* 12" Wheels
- \* 9 Gallon Tank
- \* Ideal for Applying Insecticides & Herbicides

**PART# PS9 \$316.00 Y**

## 8.0 Liter Hand Sprayer

- \*Lightweight and Easy to Use
- \*Handle-Action Piston Pump
- \* Single Conical Spray Tip
- \* Large Mouth for Easy Filling
- \* Pressure Relief Valve
- \* Ergonomic Handle

**PART# HS-80 \$47.44 R**

## 1.2 Liter Hand Sprayer

- \*Lightweight and Easy to Use
- \*Handle-Action Piston Pump
- \* Single Conical Spray Tip
- \* Large Mouth for Easy Filling
- \* Pressure Relief Valve
- \* Ergonomic Handle

**PART# HS-12 \$12.94 R**



## The Sponge Gun

Use the Green Weeder to effectively wipe out intrusive plants or weeds. The sponge design retains your desired solution until contact with plant or weed. Easily connect our unique wand design to your existing backpack or handheld sprayer with a 1/4" or 3/8" hose.

**PART# SG1001 \$99.00 Y**



## 3', 4' & 6' Weed Roller

### FEATURES:

- \* Full-Drain Tru-Kleen Tank
- \* Adjustable Hitch or Handle
- \* Direct application on plants
- \* Pneumatic transport tires
- \* Single master shut-off valve

**PART# WR36 \$381.52 NET**

**PART# WR48 \$579.19 NET**

**PART# WR72 \$841.19 NET**

## Red Weeder

- \* Safer than spraying
- \* Easier than hoeing
- \* No spray drift
- \* No overspray
- \* Wipe directly on weed

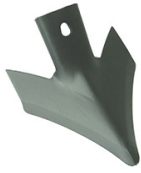
Replacement caps, gaskets and socks available.

**PART# RW1 \$45.00 Y**



# NICHOLS TILLAGE TOOLS

## SPRING TILLAGE FAVORITES



### Quick Change Field Cultivator Sweeps

UWQC7B - 1/4" x 7" Ultra wing shank  
UWQC9B - 1/4" x 9"



### Bolt on Field Cultivator Sweep

47UW7B7 - 1/4" x 7" ultra wing; 2 - 7/16" holes to fit  
1-5/8" - 1-3/4" spacing  
47UW9B7 - 1/4" x 9" ultra wing; 2 - 7/16" holes to fit  
1-5/8" - 1-3/4" spacing



### Double Ended Chisel for Field Cultivators

CC37 - 3/8" x 2" x 12"; 7/16" holes on 1-3/4" center



### Spring Harrow Tines

16249 - Wilrich  
235784 - Deere  
R6000 - Salford

## FALL TILLAGE FAVORITES



### Double End Wrap Around Chisel

RA8 - 1/2" x 4" x 16"; 1/2" hole on 2-1/4" center  
RA8HF - 1/2" x 4" x 16"; 1/2" hole on 2-1/4" center (hardfaced)



### Twisted Chisel for Chisel Plow

483L-2 - twisted chisel for chisel plow  
483R-2 - twisted chisel for chisel plow



### Double End Chisel

HC2C8 - 5/8" x 2" x 17"; 1/2" hole on 2-1/4" center  
HC2C1 - 1" x 2" x 17"; 1/2" hole on 2-1/4" center  
H23-5 - 1-1/4" x 2-1/2" x 19"; 1/2" hole on 2-1/4" - 2-1/2" center



### Single End Chisel

HS13CP - single end chisel

*DUE TO THE VOLATILITY IN THE MARKET, PLEASE CALL FOR PRICE & AVAILABILITY.*

# Assemblies



**PART# 3002A-1**  
**CHEMICAL TANK MOUNT AIR REGULATOR**  
TO BE USED WITH PORTABLE AIR TANK OR  
CUSTOMER SUPPLIED AIR.



**PART# 3024MG**  
**MACRO VALVE**  
MACRO COUPLER CAN BE USED WITH AIR  
PRESSURE OR PUMP (WHEN AIR FITTING  
OR REPLACED BY THE FILTER). COVERS  
MOST CHEMICALS. BE SURE TO MATCH  
THE COUPLER GASKET COLOR TO THE  
TANK EXTRACTOR GASKET COLOR.

**PART# 3050**  
**TWIN AIR**  
USE WHEN OPERATING TWO CHEMICAL  
TANKS WITH ONE REGULATOR.



**PART# 3012E (3/8")**  
**PART# 3012 (1/2")**  
**METERING BALL VALVE**  
USED TO ACCURATELY METER CHEMICAL  
INTO AUGER.

**PART# 3017**  
**INLINE LIQUID STRAINER**  
USE AS INLINE SCREEN TO FILTER OR MIX  
PRODUCTS.

**CALL FOR PRICING**

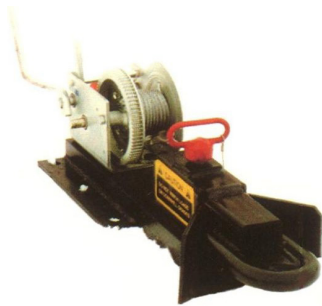
# TORPEDO HITCH

## THE ANDERSON TORPEDO HITCH

MAKES HOOKING UP TO ANY EQUIPMENT:

- \* EASY
- \* SPEEDY
- \* EFFICIENT
- \* LABOR SAVING
- \* SAFE

AVAILABLE IN:  
 \* 12VOLT ELECTRIC  
 \* HYDRAULIC



HEAVY DUTY HYDRAULIC  
 AND/OR ELECTRIC:

- \* FREE WHEEL
- \* 25' 5/16" AIRCRAFT CABLE

PART #	DESCRIPTION	PRICE
ATH-HE	12 VOLT ELECTRIC TORPEDO HITCH UNIVERSAL MOUNT	3,050.00 NET
ATH-HH	HYDRAULIC TORPEDO HITCH UNIVERSAL MOUNT	3,175.00 NET
60410100	TORPEDO HITCH HYDRAULIC 9000 LBS.	3,550.00 NET
76080	WIRELESS REMOTE WINCH ATH-HE	230.00 NET



Nitro-Bars maximize your fertilizer investment! With every drop, you will increase yields and efficiency. Used with the Air Tram Tramline system, Nitro-Bars enable growers to accurately and uniformly apply nitrogen with unparalleled accuracy.

### Highly Accurate

The simple and effective design allows each of the four ports to be fed independently, ensuring equal flow to each port.

### Easy and Quick to Assemble

Easy setup to industry-standard 20-inch nozzle spacing on sprayers. They can be fitted to your sprayer in minutes!

### Unaffected by Boom Height or Movement

The vertical stream produced means no overlapping pattern.

### Reduced Risk of Leaf Burn

Fertilizer contact with the crop is minimized by the configuration of the Nitro-Bars and by the large droplets produced at the leaf surface. Fertilizer rolls off the foliage quickly, virtually eliminating the risk of leaf burn.

### Adaptable for All Application Rates

Five color-coded, quick-fit adapters are available to encompass flow rates from 5 to 80 gallons per acre.

## NITRO-BAR



PART #	DESCRIPTION	PRICE
1040739	NITRO-BAR W/O-RING	10.00 Y
1040753	ADAPTER TEEJET (ORANGE)	5.00 Y
1040740	ADAPTER TEEJET (RED)	5.00 Y
1040741	ADAPTER TEEJET (BLUE)	5.00 Y
1040742	ADAPTER TEEJET (YELLOW)	5.00 Y
1040743	ADAPTER TEEJET (GREEN)	5.00 Y
1040744	ADAPTER HARDI (RED)	8.00 Y
1040749	ADAPTER HARDI (BLUE)	8.00 Y
1040750	ADAPTER HARDI (YELLOW)	8.00 Y
1040751	ADAPTER HARDI (GREEN)	8.00 Y
1040733	O-RING (FOR NITRO-BAR)	.55 Y

# DEF TANKS, PUMPS HOSE, NOZZLES & ACCESSORIES

## \* ANTI SPILL BREATHER

The leak-proof breather keeps Diesel Exhaust Fluid in and keeps dust out.

## \* TRI LOCK SECURITY

DEF can be locked up and secure with provision to lock the fuel nozzle, fill point and PUMP SHIELD protection cover.

## \* ANCHOR POINT STRAP GROOVES

Heavy-duty, never-fail strap grooves are built-in on both sides. This makes tying down this unit quick and hassle-free.

## \* SELF ACTIVATE SHUT-OFF NOZZLE

This well-built DEF fuel nozzle is engineered to shut-off automatically when the machine is completely full.

## DEF Fuel Boss®



## \* PUMP SHIELD COVER

The pump & gun sits neat and tight out of the weather.

## \* CORODE PROOF MATERIAL

Built with ISO 2224 compliant material, this tank will keep the DEF pure and eliminate engine damage.

## \* IMPACT FLEX STRUCTURE

With sturdy side-walls, this workhorse is high-impact-resistant and virtually indestructible. Unlike steel or aluminum, it will consistently flex and bounce back.

## \* BOLT FIX INSERTS

For a more permanent option, the four molded-in inserts in the base of the tank will keep this unit where you put it.

## \* EASY LIFT HANDLES

Molded-in, solid handles make loading and unloading this unit effortless.

PART#	DESCRIPTION	DIMENSIONS	PRICE
REU025C09S	25 Gallon (Compact)	32" x 27" x 20"	1,640.06 Y
REU055C09S	55 Gallon (Compact)	32" x 27" x 30"	1,705.72 Y
REU075N09S	75 Gallon (Narrow)	51" x 21" x 31"	1,739.85 Y
REU100S09S	100 Gallon (Standard)	47" x 34" x 34"	1,837.03 Y

## DEF DISCHARGE HOSE

PART#	DESCRIPTION	PRICE
DEF34	3/4" Hose (Bulk/Per Foot)	12.05 A

## DEF DURA-METER



PART# DP-3000D \$402.00 A

- \* 100% Moisture-sealed circuitry makes meter impervious to water intrusion
- \* Meter calibrated for DEF
- \* Same great menu driven backlit display
- \* Plumbed for both in-line and 90 degree applications
- \* ISO22241-3 Compliant for materials of construction
- \* Features 2 Year Service Warranty Plan
- \* Includes 2 Year Maintenance Program

### Specifications:

- \* Operating Temp -10 degrees to 130 degrees F, -23 degrees to 54 degrees C
- \* Flow rate of 2 to 22 Gallons per Minute, 4 to 44 Liters per Minute
- \* Meter accuracy +/- 0.5%
- \* Maximum Pressure: 40 PSI
- \* Wetted materials include polypropylene, 304 Stainless Steel, Ryton, EPDM Seals

# DEF TANKS, PUMPS HOSE, NOZZLES & ACCESSORIES

## DEF Easy-Caddy



The DuraPump DEF Easy-Caddy Frame Assembly provides the ability to quickly attach the pump system to the frame of the IBC/cage tank. The system includes a 3/4" x 15' EPDM discharge hose, 3/4" x 18" EPDM suction hose, 2" cam lock, with hose barbs and hose clamps, and a manual dispensing nozzle.

MANUAL Nozzle		PRICE	AUTOMATIC Nozzle		PRICE
DEFE-2512ME	12 Volt	995.00 A	DEFE-2512AE	12 Volt	1,130.00 A
DEFE-2515ME	110 Volt	1,018.00 A	DEFE-2515AE	110 Volt	1,155.00 A
DEF Dura-Meter DP-3000D sold separately					
Includes a 2 Year Warranty & Maintenance Program					

## DEF Top Unload



The DuraPump DEF Top Unload allows for the pump to be vertically threaded into a standard 2" NPT bung. Included is a telescoping dip tube, 3/4" x 12' EPDM discharge hose with hose barbs and hose clamps, and nozzle.

Without RSV Coupler					
MANUAL Nozzle		PRICE	AUTOMATIC Nozzle		PRICE
DEFT-2012ME	12 Volt	790.00 A	DEFT-2012AE	12 Volt	980.00 A
DEFT-2015ME	110 Volt	820.00 A	DEFT-2015AE	110 Volt	1,000.00 A

## PUMP ONLY



- \* High-Flow pump with up to 15GPM free flow rate and 10+GPM with 3/4" discharge hose and nozzle
- \* Self-priming diaphragm pump with internal bypass
- \* Motor thermally protected from overheating
- \* 30 minute duty cycle
- \* Suction ports has 2" Male NPT and 1" Female NPT
- \* Pump is easily field serviceable
- \* 10 minute shut-off option available (110V only)
- \* Features 2 Year Service Warranty plan
- \* Includes 2 Year Maintenance Program

PART# DEF-2012E 12 Volt \$825.00 A  
PART# DEF-2015AS 110 Volt \$765.00 A

# DIESEL TANKS, PUMP HOSE, NOZZLES & ACCESSORIES



## FEATURES:

- \* Tank manufactured from specifically formulated diesel grade polyethylene
- \* Strong poly lid to protect pump compartment
- \* Splash resistant breather installed
- \* 10 GPM pump with ON/OFF switch
- \* Bypass valve integrated in pump body
- \* 3/4" auto shut off nozzle
- \* Hose swivel to prevent tangles
- \* 15 feet of 3/4" hose with anti kink spring
- \* Easy clean suction strainer
- \* 3/4" drain bung on tank
- \* Nozzle lock plate

PART#	DESCRIPTION	DIMENSIONS	PRICE
RDU025C10D	25 Gallon	31" x 27" x 19"	1,045.23 Y
RDU055S10D	55 Gallon	48" x 34" x 21"	1,151.58 Y
RDU075N10D	75 Gallon	51" x 21" x 31"	1,221.18 Y
RDU100S10D	100 Gallon	48" x 34" x 31"	1,301.28 Y

## FUEL TRANSFER HOSE



### FEATURES:

- \* Designed for use w/12 or 110 Volt "Electric Pumps"
- \* Dispense Gasoline, Diesel Fuel and Kerosene
- \* High Quality Nitrile Tube
- \* Nitrile/PVC Blend Cover
- \* Braided Stainless Steel Static Wire is Embedded Between Hose Tube and Cove

PART#	SIZE	PRICE
FA34-12	3/4" x 12'	34.30 P
FA34-15	3/4" x 15'	44.94 P
FA34-20	3/4" x 20'	59.10 P
FA1-15	1" x 15'	64.05 P
FA1-20	1" x 20'	82.95 P

## FUEL NOZZLES



PART#	DESCRIPTION	PRICE
DN100	Diesel Nozzle	94.33 P
GN34	Gas Nozzle	41.92 P
UN34	Unleaded Nozzle	59.37 P

# FUEL TRANSFER PUMPS



## Model: FR1210G

12V DC, 15 GPM heavy duty, cast-iron, rotary vane fuel transfer pump. Designed for gasoline, diesel, biodiesel up to B20, E15, kerosene and mineral spirits. Includes pump, 3/4" manual nozzle, 3/4" x 12' hose with static ground wire, 18' battery cable, and 20"-34" steel telescoping suction pipe. UL/cUL, ATEX, CE motor. Two-year warranty.

### Features & Benefits:

- \* Up to 15 GPM
- \* 1/4 HP motor
- \* UL/cUL listed motor
- \* Compatible with Diesel, Gasoline, Kerosene, E15, Biodiesel up to B20
- \* 2 year warranty
- \* 2" threaded base for tank mounting
- \* Heavy duty cast iron construction
- \* Cast bronze rotor with bronze rotary vanes
- \* Built-in strainer
- \* 12' hose with static wire
- \* Replaces FR1210C



Fill-Rite 12 Volt DC Transfer Pump		
PART#	DESCRIPTION	PRICE
FR1210H	Pump with manual nozzle	599.00 Y



Well known FILL-RITE® fuel transfer pumps meet your stationary and mobile fuel transfer pump needs. See our full line of pumps to find the best pump for your needs.

## Model: FR4210G

12V DC, 20GPM heavy duty, cast-iron, rotary vane fuel transfer pump. Designed for gasoline, diesel, biodiesel up to B20, E15, kerosene and mineral spirits. Includes pump, 1" manual nozzle, 1" x 12' hose with static ground wire, 18' battery cable, and 20"-34" steel telescoping suction pipe. UL/cUL, ATEX, CE motor. Two-year warranty.

### Features & Benefits:

- \* 20 GPM (76 LPM)
- \* UL listed motor
- \* Heavy duty cast iron
- \* Compatible with Diesel, Gasoline, Kerosene, E15, Biodiesel up to B20
- \* 2 year warranty
- \* 2" threaded base for tank mounting
- \* Heavy duty cast iron construction
- \* Cast bronze rotor with bronze rotary vanes
- \* Built-in strainer
- \* 1" x 12' hose with static wire
- \* Manual nozzle
- \* Replaces FR4210D



Fill-Rite 12 Volt DC Transfer Pump		
PART#	DESCRIPTION	PRICE
FR4210H	Pump with manual nozzle	734.00 Y



# CONTINENTAL VERTICAL DAM DISTRIBUTION MANIFOLDS



PART#	DESCRIPTION	PRICE
A-MVD	MANIFOLD	450.00 R
A-SVD	SEPARATOR	570.00 R



The vertical dam distribution manifold system addresses the problem of even distributing across that entire swath width, anhydrous ammonia, by its very nature as a mixture of vapor and liquid when it leaves the nurse tank and enters the metering system. For example, tests demonstrate that at 15# of manifold pressure, you could have a resulting vapor volume of 80% to 90%. This vapor wreaks havoc with distribution. One manifold port may be blocked while the next port gets mostly liquid. The net result is that some rows of your field may get too much ammonia while others get next to nothing. The vertical dam concept (patent pending) temporarily separates a substantial amount of vapor from the liquid. This gives the liquid a chance to evenly distribute to each orifice before the separated vapor rejoins it through individual vapor orifices. In this way, the vapor villain is effectively neutralized and an even distribution to each applicator hose is greatly enhanced.

The function of the A-MVD manifold is to separate the vapor from the liquid in order to allow the liquid to divide evenly across the entire swath.

The function of the A-SVD separator is to divide the metered ammonia into 3 to 5 outlets. This eliminates the long and cumbersome length of applicator hoses. It works in the same manner as the A-MVD manifold.

## NH3 TUBES & KNIVES

### LINDSAY

#### FC-02

FOR USE BEHIND TILLAGE SPIKE OR SWEEP ON FIELD CULTIVATOR. 3/8" OD PINCHED AND DRILLED TUBE x 12" LONG. MOUNTING BRACKET HAS 9/16" HOLE PUNCHING WITH ADJUSTABLE HOLE CENTERS.

PART#	DESCRIPTION	PRICE
FC-02	3/8" CULTIVATOR	22.50 R
CP-02	3/8" CHISEL	23.00 R

#### CP-02

FOR USE BEHIND TILLAGE SPIKE OR SWEEP ON CHISEL PLOW. 3/8" OD PINCHED AND DRILLED TUBE x 13" LONG. MOUNTING BRACKET HAS 9/16" HOLE PUNCHING WITH ADJUSTABLE HOLE CENTERS.

### SELF-CLEARING



PART#	DESCRIPTION	PRICE
CPI	CHISEL TUBE 3/8"	28.75 R
FCI	CULTIVATOR TUBE 3/8"	22.75 R
CPI-1	CHISEL TUBE 1/2"	22.50 R



#### CP65

HEAVY FOOTED KNIFE FOR CHISEL PLOW APPLICATION. 2" TOP WIDTH MATCHES TO SHANK. 1/2" OVERALL LENGTH. 1/2" HOLE PUNCHING, 2-1/4" TO 2-1/2" HOLE CENTERS. USE 1/2" x 2-1/2" HEX HEAD BOLTS.



#### CP70

THIN PROFILE TWISTED KNIFE FOR CHISEL PLOWS. 14" OVERALL LENGTH. 1/2" HOLE PUNCHING, 2-1/4" HOLE CENTERS. USE 1/2" x 2-1/2" HEX HEAD BOLTS.



#### DT4

THIN PROFILE TWISTED KNIFE FOR FIELD CULTIVATORS. 11-1/2" OVERALL LENGTH. 7/16" HOLE PUNCHING, 1-5/8" TO 2" HOLE CENTERS. USE 7/16" x 1-3/4" HEX HEAD BOLTS.

PART#	DESCRIPTION	PRICE
CP65	CHISEL, PLAIN	36.50 R
CP65HS	CHISEL, HARDFACED	53.75 R
CP65-1/2	PLAIN W/1/2" TUBE	37.00 R
CP65HS-1/2	HARD SURFACED W/1/2" TUBE	66.75 R

PART#	DESCRIPTION	PRICE
CP70	TWISTED CHISEL, PLAIN	35.50 R
CP70HS	TWISTED CHISEL, HARDFACED	54.50 R
CP70-C14	TWISTED CHISEL, W/INSERT	63.00 R
CP70-1/2	PLAIN W/1/2" TUBE	36.50 R
CP70HS-1/2	HARD SURFACED W/1/2" TUBE	54.50 R

PART#	DESCRIPTION	PRICE
DT4	TWISTED CULT, PLAIN	26.00 R
DT4HS	TWISTED CULT, HARDFACED	32.00 R
DT4-1/2	PLAIN W/1/2" TUBE	37.00 R
DT4HS-1/2	HARD SURFACE W/1/2" TUBE	48.00 R



#### DT3

DEVELOPED FOR 1-1/4" WIDE SHANKS ON FIELD CULTIVATORS 10-1/2" OVERALL LENGTH, 7/16" HOLE PUNCHING, 1-3/4" TO 2" HOLE CENTERS. USE 7/16" x 1-3/4" HEX HEAD BOLTS.

PART#	DESCRIPTION	PRICE
DT3	CULTIVATOR, PLAIN	27.75 R
DT3HS	CULTIVATOR, HARD SURFACED	47.75 R

### VAPOR DUMP TUBE



USE ON SYSTEMS REQUIRING VAPOR DUMPING SUCH AS DICKEY-JOHN OR RAVEN NH3 SYSTEMS.

PART#	DESCRIPTION	PRICE
214-0002-002	RAVEN DUMP TUBE 3/4"	27.02 P

# NH3 PARTS & ACCESSORIES

PART #	MALE PIPE THREAD	ACME THREAD	LENGTH	MFG	PRICE
A-521-B	1"	1-3/4"	3-3/4"	CONTINENTAL	66.50 R
A-577D	1-1/4"	2-1/4"	4	SQUIBB	215.00 R

PART #	MALE PIPE THREAD	ACME THREAD	LENGTH	MFG	PRICE
A-1131-F	1"	1-3/4"	6"	SQUIBB	115.75 R
A-571-B	1"	1-3/4"	6"	CONTINENTAL	115.75 R
A-1132-F	1-1/4"	2-1/4"	6-3/4"	SQUIBB	225.00 R
A-577-C	1-1/4"	1-3/4"	6"	CONTINENTAL	186.00 R



MALE ACME X MALE NPT ADAPTER

PART #	DESCRIPTION	PRICE
ME521S-4	1 3/4" Male Acme x 1/2" MPT	135.00 R
ME215S	1 3/4" Male Acme x 3/4" MPT	53.25 R
A524B	1 3/4" Male Acme x 1" MPT	36.00 R
ME217S	1 3/4" Male Acme x 1 1/4" MPT	65.14 R
ME502S-16/10	2 1/4" Male Acme X 2" MPT	152.50 R
A2059	2 1/4" Male Acme x 1" MPT	187.00 R
A2060	2 1/4" Male Acme x 1 1/4" MPT	125.00 R



MALE ACME X FEMALE NPT ADAPTER

PART #	DESCRIPTION	PRICE
ME213S	1 3/4" Male Acme x 3/4" FPT	48.50 R
ME214S	1 3/4" Male Acme x 1" FPT	53.00 R
ME252S-16	3 1/4" Male Acme x 2" FPT	177.00 R
ME508S-24	3 1/4" Male Acme x 3" FPT	336.75 R



MALE ACME X MALE ACME ADAPTER

PART #	DESCRIPTION	PRICE
A2005	1 3/4" Male Acme x 1 3/4" Male Acme	118.75 R
ME275S	2 1/4" Male Acme x 2 1/4" Male Acme	150.50 R
ME277S	3 1/4" Male Acme x 3 1/4" Male Acme	248.00 R

## ACME COUPLINGS



## ACME SAFETY COUPLINGS



## ADAPTER CAP

PART #	DESCRIPTION	PRICE
ME612S	3 1/4" Female Acme x 1 3/4" Male Acme	245.00 R
A582	2 1/4" Female Acme x 1 3/4" Male Acme	150.00 R

## CAPS & CHAINS



PART #	DESCRIPTION	PRICE
ME431FS	Metal Cap 2 1/4" Acme	138.00 R
ME441FS	Metal Cap 3 1/4" Acme	201.00 R
ME229S-1	Metal Cap & Chain 1-3/4" Acme	96.50 R



PART #	DESCRIPTION	PRICE
A2080C	Dust Cap w/Chain for 1 3/4" Acme Thread Plastic	9.00 R

## HOSE HANGER ADAPTER



### CAUTION:

If using as plug be certain that coupling & valve have been bled before removal. Not leak proof.

PART #	DESCRIPTION	PRICE
A524WB	Parking Plug 1 3/4" Acme	62.00 R
A2024	Parking Plug 2 1/4" Acme	80.50 R

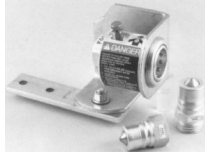
# NH3 PARTS & ACCESSORIES

## PIONEER BREAKAWAY COUPLERS

POPPET TYPE VALVES ASSURE POSITIVE SHUT-OFF. STEEL BODY MATERIAL, BUNA-N O-RING, POPPET SEAL IS NEOPRENE, CADMIUM PLATED FINISH. UL APPROVED FOR ANHYDROUS AMMONIA IN ACCORDANCE WITH OSHA REGULATIONS. UL APPROVAL IS VOIDED IF COUPLER IS SERVICED OR REBUILT IN THE FIELD. MANUFACTURERS SUGGESTS REMOVAL AFTER 3 YEARS.

### 1" PIONEER BREAKAWAY COUPLER

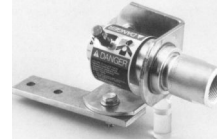
INCLUDES ACME ADAPTER, BRACKET AND BLEEDER VALVE. BRACKET AND COUPLER CANNOT BE PURCHASED SEPARATELY. COUPLER WILL NOT FIT BRACKET PURCHASED BEFORE 1984.



PART#	DESCRIPTION	PRICE
4500-6M	1" Coupler complete	681.50 R
4510-6M	1" Male Tip w/Acme	159.75 R
4503-7	1" Double Swivel Bracket	124.50 R

### 1-1/4" PIONEER BREAKAWAY COUPLER

PROVIDES MORE THAN 15% ADDITIONAL FLOW POTENTIAL COMPARED TO 1" COUPLER. CAN BE ADAPTED TO 1" ACME ADAPTER SEPARATELY. INCLUDES BRACKET AND BLEEDER VALVE. BRACKET AND COUPLER CANNOT BE PURCHASED SEPARATELY.



PART#	DESCRIPTION	PRICE
4500-7	1-1/4" Coupler Complete	811.49 P
4510-7B	1-1/4" MLT Tip x 1-1/4" FPT	208.25 R
4503-7	1-1/4" Double Swivel Bracket	124.50 R

### 4510-6



### 4510-7B



PART#	DESCRIPTION	PRICE
4510-6M	1" Male Tip w/Acme	159.75 R
4510-6	1" Male Tip w/FPT	117.75 R
4510-7B	1-1/4" Male Tip	208.25 R



A 1000 NEEDLE VALVE IS DESIGNED FOR USE IN AMMONIA TANKS TO PROVIDE A SHUT-OFF FOR THE PRESSURE GAUGE. ITS PURPOSE IS TO ALLOW THE OPERATOR TO REMOVE THE GAUGE FOR REPAIR OR REPLACEMENT WITHOUT EVACUATING THE TANK. IT CAN ALSO BE USED ON AN APPLICATOR TO SHUT-OFF THE FLOW TO ONE OR MORE KNIVES.

### PART# A-1000 \$143.25 R

THE A-1415 RELIEF MANIFOLD IS USED ON LARGE NH3 TANKS TO ALLOW REMOVAL OF A RELIEF VALVE FOR INSPECTION OR REPLACEMENT WITHOUT THE NEED OF EVACUATING THE TANK. ADEQUATE RELIEF PROTECTION IS PROVIDED BY THE REMAINING RELIEF VALVE IN THE MANIFOLD. BLEEDER VALVES RELIEVE VAPOR PRESSURE UNDER EACH RELIEF AFTER CLOSING THE MANIFOLD PORT AND EACH PORT CAN BE CLOSED SEPARATELY, MEETING CODE REQUIREMENTS.



### PART# A-1415-A \$2,040.28 R PART# A-1415 \$1,411.00 R

PRICE INCLUDES (2) A1310A RELIEF VALVES MANIFOLD ONLY

### 3/4" VAPOR RELIEF



### 1-1/4" VAPOR RELIEF



PART#	DESCRIPTION	PRICE
A1301A	3/4" Vapro Relief Valve	71.50 R
A1310A	1-1/4" Vapor Relief Valve	295.00 R

VAPOR RELIEF VALVES ARE SAFETY VALVES DESIGNED TO OPEN WHEN TANK PRESSURE RISES ABOVE 250 PSI. USED ON APPLICATOR, STORAGE AND NURSE TANKS. RELIEF VALVES SHOULD BE REPLACED 5 YEARS AFTER THE DATE OF MANUFACTURE WHICH IS STAMPED ON THE VALVE.



THE BLEEDER VALVE HAS A T-HANDLE AND IS DESIGNED TO BLEED-OFF TRAPPED LIQUID OR VAPOR NH3 IN HOSE, VALVE COUPLINGS & PIPING. ALSO FOR INSTALLATION IN TANKS AN 85% LIQUID LEVEL GAUGE. A-410 IS THE SAME VALVE WITH A 12" DIP TUBE FACTORY INSTALLED.

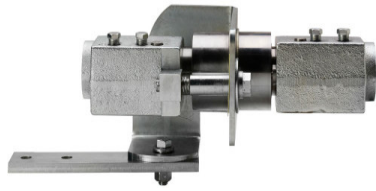
PART#	DESCRIPTION	PRICE
A411	1/4" Bleed Valve	23.12 R
A410	1/4" Bleed Valve w/12" dip tube	48.20 R



HYDROSTATIC RELIEF VALVES ARE DESIGNED TO RELIEVE LIQUID PRESSURE IN VALVES, HOSES OR PIPING WHERE LIQUID MAY BE TRAPPED. PRESSURE SET AT 375 PSI. NOTE: ALL SAFETY RELIEF AND HYDROSTATIC VALVES MUST BE CHANGED 5 YEARS AFTER THE DATE OF MANUFACTURE.

### PART# A400 \$37.50 R

# NH3 APPLICATION ACCESSORIES



BREAK AWAY COUPLER			
PART#	BRAND	DESCRIPTION	PRICE
A-SWV-125	Continental	Fullport 1-1/4"	1,506.75 P
A-HFC-114	Continental	High Flow 1-1/4"	821.05 P
113028	Squib Taylor Flomax	High Flow 1-1/4"	1,298.97 P
4500-7	Pioneer	Standard 1-1/4"	811.49 P



MANIFOLD			
PART#	BRAND	DESCRIPTION	PRICE
A-MVD-B	Continental	Body - Manifold w/ 1" Hose Barb	228.39 P
MVD-R-16A120	Continental	Ring - 16 Outlet w/ 3/8" Med Flow Barb	181.49 P
MVD-R-16A201	Continental	Ring - 16 Outlet w/ 3/8" High Flow Barb	181.49 P
MVD-R-16B120	Continental	Ring - 16 Outlet w/ 1/2" Med Flow Barb	181.49 P
MVD-R-16B201	Continental	Ring - 16 Outlet w/ 1/2" High Flow Barb	181.49 P
IP-1300	John Blue	Impellicone - 13 Outlet (barbs not included)	529.55 P
IP-1800	John Blue	Impellicone - 18 Outlet (barbs not included)	666.40 P



SPLITTER			
PART#	BRAND	DESCRIPTION	PRICE
A1803	Squib Taylor	3 Outlet - 1" Full Port	475.84 P
A1806	Squib Taylor	4 Outlet - 1" Full Port	475.84 P
A1807	Squib Taylor	5 Outlet - 1" Full Port	480.34 P
A-360-SP-6	Continental	6 Outlet	891.92 P
IPS-4	John Blue	4 Outlet	529.55 P
IPS-6	John Blue	6 Outlet	559.30 P



**SEED EXPRESS 375DX**

**FEATURES:**

- ❑ 180° Swing-most variable conveyor available
- ❑ AutoConveyor™
- ❑ 6"-8" Conveyor with 8" Cleated Belt
- ❑ Variable speed Remote Control
- ❑ Uni-body design
- ❑ Self-filling conveyor
- ❑ Telescoping arm
- ❑ Independent Support Structure
- ❑ Bolt-on Hitches
- ❑ Quick Connect Conveyors



**SEED EXPRESS 240BWT**

**FEATURES:**

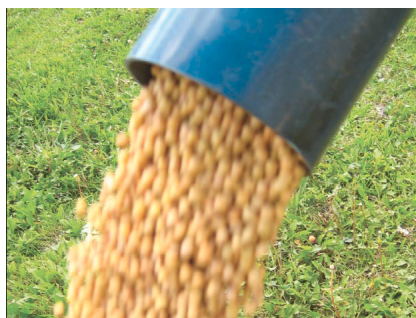
- ❑ 180° Swing-most variable conveyor available
- ❑ Ultimate Reach Conveyor™
- ❑ 8" Conveyor with 12" Cleated Belt
- ❑ Conveyor transfer volume estimated at 1500#/min
- ❑ Variable speed-control your flow
- ❑ Two separate compartments
- ❑ Rolled tarp
- ❑ 9 HP Electric start Honda gas engine
- ❑ Rubber lined hood
- ❑ Scale with digital readout

**The Swing**



180 degree Swing gives you the most flexibility to fill your planter or drill from position left, right or rear.

**The Speed**



Low Speed/High Volume  
We reached industry standard specs, set at 350 ft./min belt speed, with amazing flows of 900 lb/min.

**The Gentleness**



Cleated Belt Technology with gentle tapered cleats that conform to the tube gently carries the seed, with no roll back, rather than propelling it as traditional conveyors do.

**CALL FOR SIZES  
& PRICING**

# GRAIN STORM CARTS

## 1000, 1050, 1150 & 1325 BUSHEL CART



Single Flotation,  
Walking Tandem Duals  
or Tracks



### FEATURES:

- \*\* AVAILABLE IN RED, GREEN OR BLUE
- \*\* PTO OR HYDRAULIC DRIVEN 20" OR 22" DIAMETER AUGER
  - \*\* ADJUSTABLE AXLES
  - \*\* HEAVY-DUTY SWIVEL HITCH
- \*\* FRONT-FOLDING CORNER AUGER
  - \*\* GRAIN VIEWING WINDOW
- \*\* HAND WHEEL OPERATED CLEAN OUT DOOR
- \*\* FLASHER/TURN SIGNAL TAILLIGHTS & AUGER SPOTLIGHT
  - \*\* OPTIONAL SCALE AVAILABLE
  - \*\* OPTIONAL ROLL TARP

## CALL FOR SIZES & PRICING

“Solving your in-field refueling needs”



### Economy Mobile Fuel Trailer

- \* Available in 500 & 990-gallon capacities
- \* Tanks internally baffled
- \* Trailer comes equipped with electric brakes, white spokes with radials, removable drop leg jack, safety chains, adjustable height hitch & all DOT lighting
- \* Choose between a 12-volt or gas powered fuel pump
- \* Optional 50-gallon DEF self-contained hitch mount system

### Deluxe Mobile Fuel Trailer

- \* Available in 500, 750 & 990-gallon capacities
- \* Tanks internally baffled
- \* Deluxe trail comes standard with space to accommodate for DEF upgrade at future date
- \* Trailer comes equipped with one 54" cabinet with two bottom opening lockable doors, electric brakes, white mod with radials, removable drop leg jack, safety chains, adjustable height hitch & all DOT lighting
- \* Lockable cabinet to house one 25' x 1" diesel fuel reel with Huskey auto nozzle and high flow fuel swivel. One 5.5 HP Honda engine w/2" transfer pump w/double filter head and filters, capable of producing 40 GPM, high flow FR901 40 GPM mechanical meter with resettable accumulatorFlow rate totalizator to 99.9 GPM
- \* (1) 23" x 3" and (1) 23" x 5" deep drawer

## CALL FOR PRICING

**BELT CONVEYOR****BELT CONVEYOR STANDARD FEATURES:**

- \* THE UNITS FEATURE A DURABLE POWDER COAT FINISH, THE MAIN HOUSING FEATURES A GALVANIZED FINISH FOR MAXIMUM DURABILITY.
- \* CAPACITIES RANGE FROM 3,000 BPH TO 6,000 BPH DEPENDING ON ELEVATED ANGLE.
- \* BELT CONVEYOR SYSTEM PROVIDES GENTLE HANDLING AND HIGHER CAPACITY THAN THE SAME SIZE SCREW CONVEYOR.
- \* 10" DIAMETER GALVANIZED MAIN TUBE AVAILABLE IN 35', 60' AND 70' LENGTHS.
- \* LOW MAINTENANCE/LONG WEAR. ENGINEERED FOR LONG LASTING PERFORMANCE WITH HEAVY-DUTY TWO PLY 15" CRESENT TOP PVC BELTING WITH NYLON SLIDER BACK.
- \* BELT LIFE RATED AT 3,000 HOURS.
- \* LOW HORSEPOWER-UNIQUE DESIGN. REQUIRES ONLY HALF THE HORSE-POWER OF COMPARABLE LENGTH SCREW CONVEYORS, GREATLY REDUCING ENERGY CONSUMPTION.

**ROLL-AWAY HOPPER****WITH FLEX ANGLE**

THE ROLL-AWAY HOPPER FROM MAYRATH IS DESIGNED FOR CONVENIENCE AND VERSATILITY. FOR FAST AND CONVENIENT UNLOADING, THE FLEX ANGLE ALLOWS THE INCLINE TUBE TO BE ADJUSTED TO REACH THE APPROPRIATE DISCHARGE HEIGHT. THIS ENABLES THE ROLL-AWAY HOPPER TO BE USED IN VARIOUS APPLICATIONS SUCH AS FEEDING PORTABLE AUGERS, CLEANERS OR ANYTHING TO DO WITH A HIGH INTAKE OR OTHERWISE LIMITED ACCESS. LOW CLEARANCE CAPABILITIES ALLOW FOR EASY PICKUP FROM HORIZONTAL BIN UNLOADERS, GRAVITY WAGONS, HOPPER BOTTOM SEMI-TRUCKS OR OTHER APPLICATIONS. WHEELS FOR THE HOPPER CAN BE POSITIONED ALLOWING FOR SIDE TO SIDE OR FORWARD MOVEMENT. SPECIAL LENGTH INCLINED SECTIONS MAY ALSO BE ORDERED. ALSO AVAILABLE WITH THE 10-1/2" LOW PROFILE HOPPER OPTION.

AVAILABLE IN 8", 10" AND 12" MODELS.

8" = 3,200 BPH, 10" = 4,500 BPH, 12" = 7,000 BPH

**MAYRATH TD, TD-PLUS, IN-LINE & SWING-AWAY AUGERS****IN-LINE DRIVE**

THE TD & TD-PLUS MAYRATH AUGER LINES OFFER A WIDE RANGE OF MODEL LENGTHS IN PAINTED OR GALVANIZED FINISHES. IN ADDITION THE TD-PLUS GALVANIZED LINE IS LOADED WITH OPTIONAL CHOICES. INTERNAL BEARINGS ON 6, 8 & 10" MODELS, HEAVY GAUGE FLIGHT ON 6, 8 & 10" MODELS, CORN SCREENS AVAILABLE FOR 8 & 10" MODELS. LENGTH FROM 31' TO 71'.

THE MAYRATH IN-LINE DRIVE SERIES COMBINES OPERATIONAL EFFICIENCY WITH LONG TERM DEPENDABILITY PROVIDING YOU WITH A HIGH QUALITY, GALVANIZED AUGER AT A VERY AFFORDABLE PRICE. THE REVOLUTIONARY IN-LINE DRIVE SYSTEM MINIMIZES THE NUMBER OF MOVING PARTS REDUCING DOWN TIME AND MAINTENANCE. THE IN-LINE DRIVER FEATURES AN INTERNALLY MOUNTED GEARBOX INSIDE OF AN EXPANDED, BELL SHAPED TUBE HOUSING. AVAILABLE IN DIAMETERS FROM 6" TO 12" AND LENGTHS FROM 32' TO 82'.

**SWING-AWAY**

THE MAYRATH SWING-AWAY PORTABLE AUGERS ARE AVAILABLE IN PAINTED OR GALVANIZED FINISHES. (PAINTED AVAILABLE IN 8" & 10" ONLY) THE SWING-AWAY FLEX HOPPER IS SECURED TO EITHER SIDE OF THE MAIN TUBE FOR TRANSPORT. ALL DRIVE COMPONENTS ENCLOSED IN OIL-BATH HOUSINGS. RELIEF DOOR IN SWING OUT HOPPER IS SECURED BY SPRING-LOADED CLIPS TO PROTECT THE MAIN AUGER FROM OVERLOADING. SPINDLE WHEEL HUBS WITH TAPERED BEARINGS PROVIDE SMOOTH, RELIABLE TRANSPORT. CHOICES OF DRIVES ARE INTERNAL GEAR OR HYDRAULIC. SIDE DRIVE ALSO AVAILABLE ON THE 8" & 10" MODELS. AVAILABLE IN 52', 62' & 72' LENGTHS AND 8", 10" & 12" DIAMETERS.

# USEFUL FORMULAS AND INFO

## ACRES

LENGTH X WIDTH :- 43560  
 ONE ACRE = 43,560 SQ FT  
 405 HECTARE  
 ONE HECTARE = 2.471 ACRES  
 ONE GPA = 9.35 LTR P HECTARE  
 ONE MILE = 5,280 SQ FT  
 1.61 KILOMETERS  
 ONE US GALLON = 128 OUNCES  
 8 PINTS  
 4 QUARTS  
 3.79 LITER  
 .83 IMP GAL  
 .1337 CU FT  
 ONE CUBIC FOOT = 7.48 GAL  
 ONE LITER = 0.2642 GAL  
 ONE IMP GALLON = 1.2 US GALLON  
 277.274 CUBIC INCHES

## SPRAYING SOLUTIONS OTHER THAN WATER

## TANK VOLUMES:

ROUND TANK CAPACITY  
 DIAMETER IN INCHES SQUARED X LENGTH OR HEIGHT  
 IN INCHES X .0034.  
 RECTANGULAR TANK CAPACITY  
 LENGTH X WIDTH X HEIGHT (INCHES) :- 231  
 GALLONS PER FOOT OF ROUND TANK  
 DIAMETER (FT) SQUARED X 5.875

## OTHER FORMULAS

CIRCUMFERENCE OF A CIRCLE  
 DIAMETER X 3.1416  
 AREA OF A CIRCLE  
 RADIUS SQUARED X 3.1416  
 AREA OF RECTANGLE OR SQUARE  
 LENGTH X WIDTH  
 AREA OF TRIANGLE  
 BASE X HEIGHT :- 2  
 VOLUME OF CUBE OR RECTANGLE  
 LENGTH X WIDTH X HEIGHT  
 VOLUME OF A CYLINDER  
 RADIUS SQUARED X 3.1416 X LENGTH  
 VOLUME OF SPHERE  
 RADIUS CUBED X 4.1888  
 VOLUME OF CONE  
 RADIUS SQUARED X 1.0472

$$\text{GPM (PER NOZZLE)} = \frac{\text{GPA X MPH X W}}{5940}$$

$$\text{GPA} = \frac{5940 \text{ X GPM (PER NOZZLE)}}{\text{MPH X W}}$$

$$\text{SPEED} = \frac{\text{DISTANCE (FT) X 60}}{\text{TIME (SECONDS) X 88}}$$

GPM = GALLON PER MINUTE  
 GPA = GALLON PER ACRE  
 MPH = MILES PER HOUR  
 W = WIDTH (NOZZLE SPACE INCHES)

ANHYDROUS AMMONIA (NH<sub>3</sub>)  
 POUNDS PER GALLON OF NH<sub>3</sub> = 5.15  
 POUNDS OF N PER GALLON = 4.22

WEIGHT OF SOLUTION LBS. PER GALLON	SPECIFIC GRAVITY	CONVERSION FACTOR
7	0.84	0.92
8	0.96	0.98
8.34 (WATER)	1.00	1.00
9	1.08	1.04
10	1.20	1.10
10.65 (28% NITROGEN)	1.28	1.13
11	1.32	1.15
12	1.44	1.20
14	1.68	1.30







130 GATEWAY DR  
GRAND FORKS, ND 58203

**“COUNT ON US FOR SERVICE AFTER THE SALE”**

**SALES & PARTS 866-775-8089**

**Local: 701-775-8089**

**Fax: 701-775-8217**

**“EVERYTHING YOU NEED FOR FERTILIZER & CHEMICAL APPLICATION”**

*Web site: [www.sprayadvantage.com](http://www.sprayadvantage.com) E-mail: [sales@sprayadvantage.com](mailto:sales@sprayadvantage.com)*

