

2020 PARTS AND SALES CATALOG



Spray Advantage

“EVERYTHING YOU NEED FOR FERTILIZER AND CHEMICAL APPLICATION”



Local: 701-775-8089 Fax: 701-775-8217

Toll Free: 866-775-8089

www.sprayadvantage.com

TERMS & CONDITIONS

Special Information You Need to Know...

Defective Material: Our liability is limited to the value of the defective materials.

- * Claims for damaged or expenses resulting from the use of any product furnished by or through Spray Advantage, Inc are not allowed.
- * Parts furnished to Spray Advantage, Inc, by other manufacturers for resale or assembly by the company is subject to the warranty of the manufacturer.
- * Warranty claims will be processed by Spray Advantage, Inc. under that suppliers company's warranty when items are returned to Spray Advantage, Inc.
- * Freight charges are not covered under warranty policies.

Returned Items: If for any reason a return is necessary, please advise Spray Advantage, Inc. in advance for the reason of the return.

***Returned goods must be in salable condition and be accompanied by an invoice or sales order.**

***Merchandise must be returned within 15 days or a restocking charge may be imposed.**

We reserve the right to treat any returns as store credit only.

*** NON-STOCK or SPECIAL ORDER items are NONRETURNABLE.**

*** NO RETURNS OF ANY CUT LENGTH OF HOSE.**

*** 20% RESTOCKING FEE ON ALL ELECTRICAL COMPONENTS.**

***NO RETURNS AFTER 30 DAYS.**

Credit and Billing: Orders will ship on open account for customers that have prior approved credit status. All invoices 30 days past due will be subject to a service charge of 1-1/2% per month (18% Annual) on the unpaid balance until final payment is received.

All checks written in payment of merchandise must be made payable to Spray Advantage, Inc.

Credit for returns will be applied to original invoice and then to oldest open invoice.

Overpayment will be applied to oldest open invoice.

Major credit cards are accepted. (VISA, Mastercard, Discover & American Express.)

Taxes: Pricing in catalog does not include state or local tax.

Taxes will be charged unless an up-to-date/completed Certificate of Resale or Certificate of Exemption is on file with Spray Advantage, Inc.

Shipping: All prices within this catalog are FOB shipping point. Normally the shipping point is our warehouse, but we reserve the right to ship from other points at our discretion. Shipping charges are the responsibility of the customer. We ship Spee Dee Delivery, UPS and USPS.

*** On all orders received before 3p.m., we will make every effort to ship them same day.**

*** All orders received after 3p.m., will be shipped the next day.**

NOTE: Prices shown in this catalog are current to the best of our knowledge.

However, prices may change at any time without notice or obligation.

PRICES CHARGED WILL BE CURRENT AT THE TIME OF SHIPMENT.

Not responsible for typographical errors.

TABLE OF CONTENTS

AIR TRAM

CONCORD AIR TRAM

CHECK VALVES

PVC CHECK VALVES

CONTROL VALVES

MICRO-TRAK SERVO VALVE
RAVEN CONTROL VALVES

CONVEYORS & AUGERS

HUTCHINSON/MAYRATH

CROPSAVERS

CROPSAVERS

ELECTRONICS

AGCAM REAR VISION SYSTEM
KB CENTER LOAD
KB DRIVER LINX
KB HARVEST MONITOR
KB INJECTION MONITOR
KB START/STOP SWITCH
MICRO-TRAK CUSTOM SYSTEMS
MICRO-TRAK MONITORS
MICRO-TRAK NH3 CONTROLLERS
MICRO-TRAK RATE CONTROLLERS
MICRO-TRAK REPLACEMENT PARTS
MICRO-TRAK ELECTRIC PUMP DRIVE
OVERVIEW REAR VISION SYSTEM
RAVEN CABLES & PARTS
RAVEN CHEMICAL INJECTION
RAVEN CONTROLLERS
TIR CONTROLLER
TEEJET/MIDTECH GPS PRODUCTS
TEEJET CONTROLLERS & PARTS
TEXAS INDUSTRIAL REMCOR
VISION WORKS

FIRE NOZZLE

FIRE NOZZLE

FITTINGS

CAM-LEVER COUPLERS ALUMINUM
CAM-LEVER COUPLERS POLY
GARDEN HOSE
MANIFOLD - BANJO
PIPE SEALERS
POLY
PUSH-ON TUBE
SCHEDULE 80 POLY
STAINLESS STEEL
STEEL

FLAGS FIELD MARKING

BIO & COLORED

FLOW METERS

MICRO-TRAK
RAVEN
TEEJET

FOAM MARKERS

FOAM MARKERS & PARTS

FORMULAS

USEFUL FORMULAS & INFO

GAUGES

ANHYDROUS AMMONIA
BACKMOUNT
GLYCERINE FILLED
SPRAYER
GAUGE ADAPTERS
CHEMICAL ISOLATOR

GPS PRODUCTS

TEEJET/MID-TECH

GRAIN CARTS & SEED TENDERS

211 MERIDIAN SEED TENDER
J & M GRAIN CART

HOSE

ANHYDROUS AMMONIA
BRAIDED VINYL
CHEMICAL TRANSFER
DISCHARGE
EVA TUBING
LINEAR GAUGE TUBING
PVC SPRAY
RUBBER SPRAY
SIGHT GAUGE
SUCTION

HOSE ACCESSORIES

HOSE REELS
PLASTIC HOSE CLAMP
T-BOLT HOSE CLAMP
WORM GEAR HOSE CLAMP

MISCELLANEOUS

DRY/LIQUID APPLICATOR

MICRO-MATIC COUPLERS

MACRO VALVE
DRUM VALVE

NH3

ACME ADAPTER
ACME COUPLER
HITCH PINS
PIONEER COUPLER
RELIEF VALVE
SAFETY CHAIN
TORPEDO-HITCH
TUBES & KNIVES
VERTICAL DAM MANIFOLDS

NOZZLE ACCESSORIES

ADAPTERS
NOZZLE BODIES SHANKS TEEJET
NOZZLE BODIES QUICK TEEJET/PUSH-ON
NOZZLE CLAMPS
WILGER NOZZLE BODIES

PTO ADAPTERS

PTO ADAPTER

PUMPS

CENTRIFUGAL PUMP-ACE
CENTRIFUGAL PUMP-HYPRO
CHEMICAL TRANSFER PUMP
DEF PUMP
DIAPHRAGM PUMP-HYPRO
EVERFLO PUMP
FUEL TRANSFER PUMP
MANIFOLD
ROLLER PUMP-HYPRO
SHURFLO PUMP/PARTS
TRANSFER PUMP-BANJO

PUMP REPAIR PARTS

CENTRIFUGAL PARTS-ACE
CENTRIFUGAL PARTS-HYPRO
DIAPHRAGM PARTS-HYPRO
ROLLER-HYPRO

RADAR

MICRO-TRAK VANSO
RAVEN
TEEJET

RINSE NOZZLES

EDUCTOR NOZZLE
JET RINSE
RINSING NOZZLE-SPRAYING SYSTEMS

50-51

SAFETY EQUIPMENT

COVERALLS
GLOVES
GOGGLES
RESPIRATOR
SAFETY CHAIN

SPRAY ACCESSORIES

COVERALLS
GLOVES
GOGGLES
JET RINSE
PLANTER KITS
RESPIRATOR
WILGER FLOW TUBES

SPRAY GUNS

FIRE NOZZLE
FUEL NOZZLE
HYPRO GUN
TEEJET GUNS & TIPS

SPRAY TIPS

CAPS & GASKETS
NITRO BARS
SCREENS & STRAINERS
TIPS-TEEJET
TIPS-WILGER COMBO-JET

SPRAYERS

ATV SPRAYER
FIELD BOSS
FIRE RANGER
FOAM RANGER
HAND SPRAYER
ICE MASTER
LAWN SPRAYER
MASTER GARDEN SPRAYER
DELUXE SPRAYER

STRAINERS

KLEEN FLO LAKE STRAINER
LINE STRAINER-HYPRO
MANIFOLD STRAINER-BANJO
STRAINER-TEEJET
T & Y STRAINER-BANJO

TANKS

AGRI-PRODUCTS TRACTOR MOUNTED
DEF TANK
DEMCO TRACTOR MOUNTED
DIESEL TANK
INDUCTORS
NURSE TANK
POLY TANK
PORTABLE STORAGE
SAFETY RINSE TANK
TANK ACCESSORIES
TRANSPORT

TRAILER/FUELMATE

FUELMATE

VALVES

12 VOLT CONTROL & SHUT-OFF
BOOM CONTROL VALVE
PRESSURE RELIEF & THROTTLING

VALVES, BALL

BALL VALVE-BANJO
BALL VALVE-NORWESCO
BALL VALVE-TERRAMAX
BRASS VALVE
ELECTRIC BALL VALVE-BANJO
ELECTRIC BALL VALVE-KZCO
ELECTRIC SOLENOID
POLY BALL VALVE
STAINLESS STEEL BALL VALVE
VALVE PARTS-BANJO
VALVE PARTS-NORWESCO

NEW PRODUCTS



HOSE BARB x FEMALE COUPLER VALVE		
PART #	Description	Price
VSHBD204FP	2" Hose Barb x 2" Female Coupler Full Port	98.89 S
VSHBD300FP	3" Hose Barb x 3" Female Coupler Full Port	235.37 S

FLANGE x FEMALE COUPLER VALVE		
PART #	Description	Price
MVSD220FP	2" Flange x 2" Female Coupler Full Port	98.89 S
MVSD300FP	3" Flange x 3" Female Coupler Full Port	235.37 S



90* SWEEP HOSE BARB		
SIZE	PART #	PRICE
3/4"	HB075SW90	13.77 S
1"	HB100SW90	14.08 S
1-1/4"	HB125SW90	15.64 S
1-1/2"	HB150SW90	23.02 S
2"	HB200SW90	25.37 S
3"	HB300SW90	52.53 S

90* SWEEP MALE ADAPTER X MPT		
SIZE	PART #	Price
2"	200FSW90	25.37 S
3"	300FSW90	52.53 S



GASKET FLANGE		
SIZE	PART #	PRICE
1"	FG100	1.76 S
1-1/2"	FG200	1.89 S
2"	FG220	1.92 S
3"	FG300	2.75 S

METAL VALVE HANDLE Fits V125FP, V150, V200, V300, V300FP	
PART #	PRICE
V25272	31.11 S

PLUG with HANDLE		
SIZE	PART #	Price
2"	200PLH	17.44 S
3"	300PLH	26.62 S

KB PRODUCTS

CENTER LOAD



KB-CL \$725.00 Y



- * KB Manufacturing, LLC, has designed a new aid for loading trucks, carts or other vessels.
- * The primary purpose is to more evenly place product for improved stability.
- * Light indicators provide dual signals to both the loader and loadee.
- * Every unit is measured with sonar prior to loading, establishing a customized center point.
- * A green light illuminates when the optimal load is achieved. When the loading area is too far in or out, a red light will be illuminated.
- * System is designed to help reduce operator fatigue and allow more attention on proper harvester settings.



Sensor is mounted on the loading equipment, such as a harvester. The sensor, along with microcontroller board, determine the distance for optimal placement for a centered load. ***This unit is used in conjunction with KBMFG patented Drive Linx System.*** This alerts the driver in the unit being loaded to move in the direction of the wireless display unit. The operator can adjust the distance and load zone from the comfort of their cab. This helps reduce operator stress and also helps maintain a safer, center loaded truck, cart or vessel.

Patent Pending.



KB PRODUCTS

DRIVER LINX



Wireless Direction Light

KB-LINX \$630.00 NET
(1 Transmitter, 2 Receivers)

ADDITIONAL:

KB-LINXT \$250.00 NET
(Transmitter)

KB-LINXR \$250.00 NET
(Receiver)

- * Transmitter runs off of a 9-Volt battery.
- * Easily transfer between equipment pieces.
- * Visual light shows direction of movement desired.
- * Mounts on dash for easy viewing.



Wireless External Light

KB-LINXEW \$585.00 NET
(Wireless Light)

KB-LINXEW/KIT \$835.00 NET
(Wireless Light, 1 Transmitter)

FEATURES:

- * Receiver powered by plugging into a cigarette lighter.
- * Units are small and install in minutes.
- * Buzzer alarm to alert driver of a change.

PRODUCT USE:

Loading trucks, grain carts and beet carts for harvest.
 Loading and unloading of railcars or trucks at elevators and warehouses.
 Mining, highway departments, agriculture warehouses and many other loading and unloading facilities.
 Communicating between two or more vehicles when visibility is obstructed

“Taking you in the right direction”

BOX SCRAPER



KB-SCRAPER4 KB-SCRAPER6
 4' \$1,325.00 NET 6' \$1,575.00 NET

Pull behind ATV or garden tractor.
 Level or fill driveways, yards, beaches and riding arenas.
 No hydraulics needed.
 Easy to use controls.
 Electric actuator raises and lowers scraper height.

INSECTICIDE WINDSHIELD



KB-WS \$80.00 NET

Helps with proper placement of insecticide in the rows.
 Field residue/lumps dirt flow through.
 For John Deere and Monosem planters.



START-STOP APPLICATION SWITCH



KB-SC \$450.00 Y

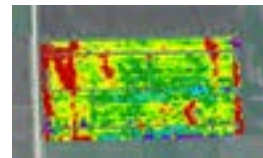
**Have you ever forgotten to flip a switch on th start an application of a product?
Have you ever accidentally left the switch on?**

Reduce you chance on leaving a switch on and burning your crops. This motion activated switch starts the application of the product when your machinery starts moving. Application stops when you stop. An Override switch allows the operator to turn the system on when stopping to check flow to the rows or check calibration. A status light allows the operator to visually see when the system is in an active state or non-active state. Safe and easy to operate.

HARVEST MONITOR



GK Technology
For Agriculture



KB-HARVESTM - CALL FOR PRICING

The Harvest Monitor was developed to aid in the loading of trucks and also to see variability within the fields. The monitor tracks truck weights and can be tarred after each load.

KB Manufacturing has teamed up with GK Technology to combine software and hardware for a conveyor type yield monitor.

Now you can track and view areas of your field that are not as productive or areas that produce higher yields. Are the areas affected by water damage, disease issues, variety change, fertilizer change, plant populations, or other field conditions? Yield monitoring can validate some of the choices that you make.



KB PRODUCTS

DIGITAL RPM MONITOR



KB-SHAFT - CALL FOR PRICING

This unit will monitor up to 10 shafts. It will alert the operator of shaft speeds that have slowed down or stopped. The minimum shaft speeds can be set by the operator. If two or more shafts are below the set speed the alarm will sound for a few seconds and the alarm light will stay on. This feature allows for reducing the PTO speeds on the end of a pass with out a continuing alarm sound. The monitor can scan each channel and display the speed of each shaft.

DIRECT INJECTION MONITOR



- * Ability to monitor up to four platforms or products at the same time.
- * Monitoring may be done by manual touch or automatic scan mode.
- * Audible low-limit alarm to warn the operator of low products.
- * LCD screen with back lighting for easy viewing.
- * Optional product platforms that securely attach to sprayer.

KB-INJECTIONM - CALL FOR PRICING



SUCTION CUP MOUNTS

4-1/2" VACUUM CUP
 BLACK POLYCARB MOUNT
 1/4-20 INSERT
 CAPACITY: 40 LBS.

PART# 91240 \$52.75 NET

4-1/2" VACUUM CUP
 BLACK POLYCARB MOUNT
 1/4-20 STUD - 3/8" LONG
 CAPACITY: 40 LBS.

PART# 91200 \$50.75 NET

Maximizing your yield starts by treating your seed.

Dry Applicator

To obtain the best use of your treatments, you need to treat the seed as close to planting as possible. The CT Dry Powder Applicator does just that - it can be used in-field or while filling the seed tender. Our patented CT Dry Powder Applicator will meter talc, inoculants, graphite or any dry product evenly and accurately. This applicator applies your seed treatments in the field when you are ready to plant. The CT Dry Power Applicator can mount above an auger or conveyor and treats seeds just before they are planted. Seeds will be evenly coated as they travel to the planting device. You can also purchase an auger system that will move the dry product from the applicator to the hopper before the seed enters the conveyor, auger or air delivery system. This system can also be set up to treat seed ahead of planting time.



PART#	CTDRY6-12 (6 gallon, 12-Volt)	\$2,062.00 NET
PART#	CTDRY6-110 (6 gallon, 110 motor)	\$3,322.00 NET
PART#	CTDRY14-110 (14 gallon, 110 motor)	\$3,850.00 NET
PART#	CTDRY21-110 (21 gallon, 110 motor)	\$4,250.00 NET

- * hands free system
- * Stainless steel cone
- * Waterproof variable speed controller

Liquid Applicator

To obtain the best use of your treatments, you need to treat the seed as close to planting as possible. The CT Liquid Applicator does just that - it can be used in-field or while filling the seed tender. Our CT Liquid Applicator can be used to evenly apply any liquid seed treatment that can be farmer applied or applied with applicable license. This applicator applies your seed treatments in the field when you are ready to plant.



PART#	CTLIQUID5 (5 gallon, 12-Volt)	\$899.00 NET
PART#	CTLIQUID10 (10 gallon, 12-Volt)	\$934.00 NET

- * continuous agitation pump
- * drain for easy clean out
- * in-line clear bowl filter
- * pressure gauge, adjustable ball valve and orifice for rate regulation

- * **Dry and liquid applicators can be used separately or together**
- * **Allow farmers to apply products needed at time of planting**
 - * **Saves farmers labor, time and money**
 - * **Can be used with any seed delivery system**

Are you driving over your money?



CROPSAVER ADVANTAGES:

- * REDUCE TRAMPLING LOSS BY 80-90%
- * A SET OF CROPDIVIDERS WILL PAY FOR THEMSELVES AFTER SPRAYING LESS THAN 1,000 ACRES
- * CAN BE USED IN A VARIETY OF SOLID SEEDED AND ROW SEEDED CROPS
- * SAVES FLAG LEAF DAMAGE WHEN SPRAYING FUNGICIDES AND HERBICIDES
- * CAN ALSO BE USED FOR DESICCATING OR PREHARVEST BURN DOWN
- * EASIER SWATHING, COMBINING AND TILLAGE WHEN GRAIN IS NOT TRAMPLED

Tridekon has 6 Cropsaver Cone Models - All interchangeable



Standard Narrow Cones
are the most commonly used.



Standard Wide Cones
are for sprayers with wide tires.



Chopped Cones
have the tops cut off for
clearance on some sprayers.



Short Cones
are recommended for the rear
tires on articulating machines
and models with clearance
issues.



Bean Cones
are designed to run low in the
crop enabling it to get under
vines. Recommended for beans
and other row crop.



Step Cones
are available for machines where
the sprayer's ladder interferes
with the Cropsaver.

CALL FOR PRICING

FOAM MARKERS



SUPER MARKER FEATURES:

- * 12V DC Operated
- * 3-Position Switch Enclosed in Weatherproof Cover
 - * Two Stage Foam Generation
 - * Boom end Mounted Foam Chamber
 - * 150' delivery hose (FM14/FM25 Only)
 - * 4" Fluorescent Drop Boots for Visibility

PART#	DESCRIPTION	PRICE
FM-14	14 GALLON MARKER COMPLETE	744.00 R
FM-25	25 GALLON MARKER COMPLETE	799.00 R
FOAM	GALLON FOAM CONCENTRATE	66.50 Y
UNFOAMERG	GALLON ANTIFOAMING AGENT	62.00 NET
UNFOAMERQ	QUART ANTIFOAMING AGENT	33.25 NET
CFM1009	DROP BOOT ASSEMBLY Fm14 & Fm25	10.75 Y

NON-PRESSURIZED SYSTEM

SIMPLY ADD WATER AND FOAM CONCENTRATE



FIELD MARKING FLAG



PART#	DESCRIPTION	PRICE
FFC	6' FIELD FLAG ORANGE w/9" x 11" PENNANT (1)	9.00 Y
FLAGBIO	WHITE BIODEGRADABLE WOODEN DOWEL (48)	32.00 Y
FLAGC	COLORED FIELD FLAG (100)	23.00 S
FLAGW	WHITE FIELD FLAG (100)	23.00 S

TRACTOR MOUNTED TANKS

SIDE MOUNT TANK UNITS FOR JOHN DEERE TRACK DRIVE TRACTORS



FEATURES:

- * Two 350 or 500 gallon high capacity side mount tanks with 16" fill-well.
- * Better visibility - tanks are mounted longitudinal for superb visibility.
- * Comfortable transport width.

PART#	FITS UNITS	PRICE
SMJDT-700	JD 8000T & 9000T SERIES	12,589.00 Y
SMJDT-1000	JD 8000T & 9000T SERIES	14,497.00 Y
SMJDRT-1000	JD 8000RT & 9000RT SERIES	14,497.00 Y



TRANSPORT WIDTH:
16'

FEATURES:

- * Demco's slime-line polyethylene tanks come in two sizes: 200 or 250 gallon capacities. These tanks feature a dual jet agitator, sump, molded sight gauge and fill-well with a no-splash cover.
- * Demco Quick Tach brackets come with saddles, tank bands, carrier brackets and all necessary bolts for complete installation.
- * The undercarriage is bolted to the tractor and can remain on the tractor while the tanks can be removed quickly and easily. Pump not included.

PART #	FITS UNITS	PRICE
SM400-JD4000	4000 SERIES JD MFWD	5,302.00 Y
SM500-JD4000	4000 SERIES JD MFWD	5,715.00 Y
SM400-JD7000	7000 SERIES JD MFWD	4,956.00 Y
SM500-JD7000	7000 SERIES JD MFWD	5,305.00 Y
SM400-JD8000	8000 SERIES JD MFWD	4,786.00 Y
SM500-JD8000	8000 SERIES JD MFWD	5,197.00 Y
SM400-CIH7080	7000 & 8000 SERIES CIH MFWD	4,886.00 Y
SM500-CIH7080	7000 & 8000 SERIES CIH MFWD	5,197.00 Y
MODELS ALSO AVAILABLE FOR: FORD, MASSEY FERGUSON, WHITE & DEUTZ ALLIS		
ADAPTER KIT FOR ILS FRONT AXLE		126.00 Y



TRACTOR MOUNTED TANKS

QUICK TACH SIDE MOUNT UNITS FOR STANDARD TWO-WHEEL DRIVE TRACTOR

FEATURES:

- * Demco's slime-line polyethylene tanks come in two sizes: 200 or 250 gallon capacities. These tanks feature a dual jet agitator, sump, molded sight gauge and fill-well with a no-splash cover.
- * Demco "Quick Tach" brackets come with saddles, tank bands, carrier brackets and all necessary bolts for complete installation. The undercarriage is bolted to the tractor and can remain on the tractor while the tanks can be removed quickly and easily. The heavy-duty brackets allow you to carry a total of 400 or 500 gallons.



TRANSPORT WIDTH:
14'

PART#	FITS UNITS	PRICE
SSM-400	MOST FLAT SIDE FRAMED TRACTORS	3,878.00 Y
SSM-500	MOST FLAT SIDE FRAMED TRACTORS	4,294.00 Y

QUICK TACH IN-LINE SIDE MOUNT TANK UNITS



TRANSPORT WIDTH:
16' 6"

FEATURES:

- * Demco's in-line tanks are available in two sizes: 200 or 300 gallons capacities. They feature dual jet agitator, sump, molded sight gauge and fill-well with a no-splash cover. The 300 gallon tank has poly baffle.
- * High clearance brackets allow for approximately 30" of ground clearance.

PART #	FITS UNITS	PRICE
IN600-JD7000	7000 SERIES JOHN DEERE MFWD w/POWER SHIFT TRANS	7,782.00 Y
IN600-JD8000	8000 SERIES JOHN DEERE MFWD w/POWER SHIFT TRANS	7,782.00 Y
IN600-CIH	CASE/IH EXCEPT MAXUM	7,782.00 Y
IN600-JD8000-IVT	8000 SERIES JOHNDEERE w/IVT TRANS	8,390.00 Y
IN600-CAT600	MT645D, MT655D, MT665D, MT675D, MT385D	7,782.00 Y



TRACTOR MOUNTED TANKS

600 GALLON QUICK TACH - 4WD articulating tractor



TRANSPORT WIDTH:
15'

FEATURES:

- * Two 300 gallon tanks. They feature dual jet agitation, sump, molded sight gauge and 12” fillwell with no-splash cover.
- * High clearance brackets include saddles, tank bands, carrier brackets and all necessary bolts for a complete installation.
- * 22-25” of ground clearance.

PART #	FITS UNITS	PRICE
SM600JD9000	*JOHN DEERE 9230, 9330, 9340, 9530, 9630, 9360R, 9410R, 9460R, 9510R & 9560R	7,460.00 Y
SM600-JD9000RX	JOHN DEERE 9420RX, 9470RX, 9520RX, 9570RX, 9260RX	8,314.00 Y
SM600-CIH300A	CASE/IH STEIGER 335, 385 & 435	7,460.00 Y
SM600-CIH300B	CASE/IH STEIGER 350, 450 & 550	7,460.00 Y
SM600-NHT9	NEW HOLLAND T9.390, T9.450, T9.505 & T9.560	7,460.00 Y

400 & 500 GALLON REAR MOUNT SPRAYER UNITS

FEATURES:

- * 300, 400 or 500 gallon tank with jet agitation, molded sight gauge, sump and fillwell with no-splash cover.
- * Rear mount brackets are complete with saddles, tank straps and all necessary bolts.
- * Category 2 or 3 rear mount brackets may be used with “Quick Attach” three point hookup.
- * Large convenient platform with safety rail and ladder for easy filling of tank.
- * Retractable built in ground stand for storage when empty.
- * A clean water tank is conveniently mounted on the rear mount unit.
- * Available with single section electric control for disc spray kits or three section electric controls for boom spraying.



PART #	FITS UNITS	PRICE
RMLE400	3-POINT 400 GALLON SPRAYER LESS BOOM	CALL-IN
RMLE500	3-POINT 500 GALLON SPRAYER LESS BOOM	CALL-IN
RMLE400-60	3-POINT 400 GALLON SPRAYER W/60' FLOATING BOOM	CALL-IN
RMLE500-60	3-POINT 500 GALLON SPRAYER W/60' FLOATING BOOM	CALL-IN
RMLE400-60X	3-POINT 400 GALLON SPRAYER W/60' X BOOM	CALL-IN
RMLE500-60X	3-POINT 500 GALLON SPRAYER W/60' X BOOM	CALL-IN

Agri-Products Inc.



FEATURES:

- * Parallel mounting of tanks allows for excellent cab visibility
- * All steel components are powder coat paint
- * Tank mounts are available to accommodate inboard and outboard tractor tractors and tractors with front duals
- * Front-mounted tanks are available on all wheeled tractors
- * All tanks carry a 3-year limited warranty
- * Manufacturer limitations and specs are taken into consideration in this design
- * Tank mounts are also available for tractors with FRONT DUALS
- * 500 gallon side mounts are available on some models

CALL FOR PRICING

FEATURES:

- * These tanks are offered in 300-gallon only
- * All steel components are powder coat painted
- * 3-year limited warranty
- * Actual mounting varies with different models
- * Installation is simple and fast
- * Manufacturer limitations and specs are taken into consideration in this design
- * Front-mounted tanks are available on most tractors





GRAIN CARTS

525, 620, 750 & 875 BUSHEL GRAIN CART

J & M's patented, front-folding single auger, corner cart an industry exclusive!

Designed with the operator in mind, the upper auger is positioned in the corner and extends toward the tractor cab, creating a closer, clearer view when unloading grain.

SAVE VALUABLE HARVEST TIME

FEATURES:

- ** AVAILABLE IN RED, GREEN OR BLUE
- ** PTO OR HYDRAULIC DRIVEN 14", 16" OR 18" BALANCED AUGER
 - ** ADJUSTABLE AXLES
 - ** HEAVY-DUTY SWIVEL HITCH
- ** AUGER FOLDS IN FRONT OF BOX FOR TRANSPORT
 - ** GRAIN VIEWING WINDOW
 - ** HAND WHEEL OPERATED CLEAN OUT DOOR
- ** FLASHER/TURN SIGNAL TAILLIGHTS & AUGER SPOTLIGHT
 - ** OPTIONAL SCALE AVAILABLE
 - ** OPTIONAL ROLL TARP



GRAIN STORM CARTS

1000, 1050, 1150 & 1325 BUSHEL CART



Single Flotation,
Walking Tandem Duals
or Tracks



FEATURES:

- ** AVAILABLE IN RED, GREEN OR BLUE
- ** PTO OR HYDRAULIC DRIVEN 20" OR 22" DIAMETER AUGER
 - ** ADJUSTABLE AXLES
 - ** HEAVY-DUTY SWIVEL HITCH
- ** FRONT-FOLDING CORNER AUGER
 - ** GRAIN VIEWING WINDOW
 - ** HAND WHEEL OPERATED CLEAN OUT DOOR
- ** FLASHER/TURN SIGNAL TAILLIGHTS & AUGER SPOTLIGHT
 - ** OPTIONAL SCALE AVAILABLE
 - ** OPTIONAL ROLL TARP

CALL FOR SIZES & PRICING



“Solving your in-field refueling needs”



Economy Mobile Fuel Trailer

- * Available in 500 & 990-gallon capacities
- * Tanks internally baffled
- * Trailer comes equipped with electric brakes, white spokes with radials, removable drop leg jack, safety chains, adjustable height hitch & all DOT lighting
- * Choose between a 12-volt or gas powered fuel pump
- * Optional 50-gallon DEF self-contained hitch mount system

Deluxe Mobile Fuel Trailer

- * Available in 500, 750 & 990-gallon capacities
- * Tanks internally baffled
- * Deluxe trail comes standard with space to accommodate for DEF upgrade at future date
- * Trailer comes equipped with one 54” cabinet with two bottom opening lockable doors, electric brakes, white mod with radials, removable drop leg jack, safety chains, adjustable height hitch & all DOT lighting
- * Lockable cabinet to house one 25’ x 1” diesel fuel reel with Huskey auto nozzle and high flow fuel swivel. One 5.5 HP Honda engine w/2” transfer pump w/double filter head and filters, capable of producing 40 GPM, high flow FR901 40 GPM mechanical meter with resettable accumulator Flow rate totalizer to 99.9 GPM
- * (1) 23” x 3” and (1) 23” x 5” deep drawer

Upgrades:

- * 25’ and 50’ reel upgrades
- * Puma electric start air compressor, 8HP Honda capable of 20 CFM with
- * Twin 8-gallon tanks and electric start
- * Puma air compressor driven by 13HP Honda engine capable of 25 CFM and electric Start
- * 13HP compressor, generator set run by Honda engine. 3500W generator with four 110v outlets and electric start
- * Compressor, generator/welder
- * Rear cabinet
- * Underbody valve guard
- * Utility wash cabinet with first aid kit
- * Clear and Red diesel Split packages
- * Spare tire carrier
- * Aluminum wheels
- * Lube and grease add on options
- * Additional lighting options

Other Products:

- * Oil Caddy
- * Custom Drain Pans
- * Lube Skids
- * Custom Truck Bodies
- * Mechanical & Digital Meters
- * Generator & Air Compressor Sets
- * Welders
- * Diesel Emission Fluid (DEF)
- * Tanks, Pumps, etc
- * Grease Kits

CALL FOR PRICING



ATV SPRAYERS

ATV Kit



FEATURES:

- Adjustable Boom
- TeeJet & Banjo Plumbing Parts
- 5.3GPM Remco 12V Pump
- Inline TeeJet Strainer to Protect Pump
- Spray Wand & 20' Hose
- Glycerin Filled Gauge & Pressure Regulator
- Drain Valve
- 20 Gallon Tank w/Sump
- 12' Boom

Part # ATVKIT-20/160 \$925.00 Y

ATV Mini-Sprayer



FEATURES:

- Commercial Quality
- 50 Gallon Low Profile Tru-Kleen Tank
- 16.5 x 6.5 x 8 High Flotation Turf Tires
- Tank has molded Anti-Vortex Baffles
- All Terrain Design
- Hose Reel, 50' Hose
- Spray Wand
- 12' Boom
- 4HP Honda w/22 GPM Centrifugal Pump

Part # ATVMINI \$1,916.00 Y

ATV Maxi-Sprayer



FEATURES:

- 110 or 150 Gallon Tank
- 20' or 30' Booms
- Walking Tandem Axles
- Axles Adjust for Row Spacing (60" - 80")
- Pull by a Small Utility Tractor or UTV
- 4HP Honda w/22.5GPM Centrifugal Pump
- Auto Boom Breakaway
- Adjustable Boom Height
- High Flotation Tires (20 x 20 x 8)
- Hose Reel & Spray Wand for Spot Spraying
- Optional - Electric Control

Part # ATVMAX-20 \$4,350.00 Y

Part # ATVMAX-30 \$4,550.00 Y

DELUXE SPRAYERS



Deluxe Sprayer 40 & 60 Gallon

- * 2.2 GPM EVERFLO Pump
- * Standard Adjustable Spray Gun
- * 15' Rubber Hose to Spray Gun
- * Chemical Resistant polyethylene Tank
 - * All Steel Frame and Boom
- * 10' Coverage with 3 Nozzle Folding Boom
 - * 3 Section 7 Nozzle Folding Boom
 - * 12V Connection Cables Included

Deluxe Model Includes:

- * Hinged Boom Mount Fits Over Most UTV Tailgates
- * Frame Mounted Rubber Stoppers to Minimize Sliding
 - * 2 Foot Adjustable Boom Height
- * Flexible Spring Loaded Break-Away Boom
 - * Deluxe Spray Gun Option

Part# DUTV40-10 \$740.00 Y
Part# DUTV40-12 \$785.00 Y

Part# DUTV 60-10 \$775.00 Y
Part# DUTV 60-12 \$862.00 Y

ATV, LAWN & TRAILER SPRAYERS



ATV Sprayer 25 Gallon

- * 7' Boom Standard
- * Chemical Resistant polyethylene Tank
- * 5" Fill Lid w/Tether
- * Variable Pressure Regulator
- * Adjustable Brackets for Perfect Boom Height
- * 12V Connection Cables
- * 18" lever Handgun w/15ft hose
- * Adjustable Cone Spray Nozzle
- * Ideal for applying Insecticides & Herbicides
- * Round-up Ready
- * 10' Boom Available

Part# ATV25-2.2 \$305.00 Y

Part# ATV25/10-2.2 \$348.00 Y

Lawn Sprayer 40 & 60 Gallon

- * Chemical Resistant polyethylene Tank
- * On-Off Boom Control
- * 3 section folding break away boom
- * 120" Boom Spray Coverage
- * 18" Pistol Handgun
- * Adjustable Cone Spray Nozzle
- * Ideal for applying Insecticides & Herbicides
- * Round-up Ready

Part# LS40-10 \$705.00 Y

Part# LS60-10 \$992.00 Y

Part# LS40-12 \$740.00 Y

Part# LS60-12 \$1,032.00 Y

Trailer Sprayer 15 & 25 Gallon

- * Chemical Resistant polyethylene Tank
- * 5" Fill Lid w/Tether
- * Steel powder coated frame w/10" pneumatic tires
- * 80" Boom Spray Coverage
- * 12V Connection Cables with switch
- * 18" lever Handgun w/15ft hose
- * Adjustable Cone Spray Nozzle
- * Ideal for applying Insecticides & Herbicides
- * Round-up Ready

Part# LS25ND \$385.00 Y

FIELD BOSS/BOOMS



BOSS 365

SFB060FG225GH \$2,359.00 Y
SFB100FG225GH \$2,459.00 Y

New design 100% drain-able tank

Easily clean your tank to avoid mixing chemical when spraying.

Easily load and unload your sprayer

Each Field Boss comes with integrated fork points for loading and unloading.

Control your boom from your seat

The spring loaded control arm allows you to manage your boom options.



XSTREAM

SFB060FG290EX \$2,779.00 Y
SFB100FG290EX \$2,882.00 Y

New automatic shut-off filter

You can now clean the filter at any time without having to empty the tank.

Low profile tank for extra stability

Keep your liquid close to the ground to keep your center of gravity low.

Heavy duty 100% poly hose reel

Easy to wind, this hose reel is constructed to withstand many years of rugged use.



ECOLITE

SFB060FG712V \$1,997.00 Y
SFB100FG712V \$2,097.00 Y

Control your pump from your seat

Switch your pump off when it is not in use to reduce wearing.

Attach any Enduraplas boom in minutes

You have boom spraying in mind, we have a quick and easy solution.

12 volt pump performance

If you're looking for a quiet, efficient pump option, this is your answer.

attach any enduraplas boom in minutes



POLY BOOM 13 Feet

ASBP13GY \$523.00 Y



STEEL BOOM 12, 20, 26 & 30 Feet

ASBS12SS \$397.00 Y
ASBS20SS \$740.00 Y
ASBS26SS \$868.18 Y
ASBS30SS \$899.00 Y



BOOMLESS 24 & 30 Feet

ASBB24 \$132.23 Y
ASBB30 \$263.43 Y



RECEIVER HITCH AZFRH001 \$207.05 Y

PICKUP/UTV SPRAYERS

PRO MASTER 725



FEATURES:

200, 250, 300 & 400 Gallon
 sump bottom tank for easy drainage
 high pressure honda pump
 adjustable spraying pattern

SPM200FG725 \$6,282.23 Y
 SPM250FG725 \$6,335.53 Y
 SPM300FG725 \$6,494.40 Y
 SPM400FG725 \$6,546.68 Y

PRO MASTER 580E



FEATURES:

100, 200, 250, 300 & 400 Gallon
 space saving compact design
 complete with 100' of high pressure hose
 manual pressure regulator & gauge

SPM100FG580E \$5,911.18 Y
 SPM200FG580E \$5,913.23 Y
 SPM250FG580E \$6,494.40 Y
 SPM300FG580E \$6,757.83 Y
 SPM400FG580E \$6,863.40 Y



FIRE BOSS

FEATURES:

60 & 100 Gallon
 easy wind hose reel
 compact space saving design
 Honda engine

SMFB060FG120GH \$3,059.63 Y
 SMFB100FG120GH \$3,088.00 Y



FIRE RANGER

FEATURES:

250, 300 & 400 Gallon
 integrated quick fill system
 high flow fire nozzle
 slide into the back of your pickup

SMF250FG120GH \$3,810.00 Y
 SMF300FG120GH \$4,116.40 Y
 SMF400FG120GH \$4,221.98 Y



FOAM BOSS

FEATURES:

60 & 100 Gallon
 frame includes integrated fork points
 use foam to suppress fire/using less water
 built in foam gauge to change amount of foam

SMFFB060FG120GH \$3,530.10 Y
 SMFFB100FG120GH \$3,635.68 Y



FOAM RANGER

FEATURES:

250, 300 & 400 Gallon
 foam for creating long lasting fire breaks
 special air induction nozzle
 a built in foam tank and foam gauge

SMFF250FG120GH \$5,047.00 Y
 SMFF300FG120GH \$5,278.75 Y
 SMFF400FG120GH \$5,384.33 Y

Other pull-type trailer sprayers available.
 Marshal Trailers & 12 Volt Trailers also available.



NURSE TRAILERS



PIN MOUNTED NURSE TRAILER

STANDARD BENEFITS:

- *Long lasting powder coat finish on steel
- *Thick tank sidewalls provide superior strength
- *Pin-mounted tank system eliminates wear point on tank
- *Heavy Duty 2" x 6" tube steel frame on 800 & 1000 gallon trailers
- *Heavy Duty 2" x 8" tube steel frame on 1600 gallon trailers



CONE BOTTOM NURSE TRAILER

STANDARD BENEFITS:

- *15 degree cone-bottom for total evacuation
- *Heavy Duty 2" x 6" tubular steel frame
- *Long-lasting powder coat finish on steel
- *Ribbed sidewall tank for extra strength
- *Green color deters algae growth
- *Slipper-spring suspension using leaf springs for smoother ride



**TRAILER SHOWN INCLUDES:
4' EXTENDED WOODEN DECK,
MIXING CONE KIT,
PUMP KIT & PUMP COVER**

CALL FOR PRICING



TRANSPORTABLE STORAGE TRAILERS

A perfect portable storage solution for someone that requires liquid in different spots at different times. With new design features, these cone trailers offer a range of user-friendly benefits.

Available in double and triple cone tanks.

- * Industry leading Ribbed Wall tank warranty. You can depend on each Ribbed Wall tank to work as hard as you do.
- * Unique jacking system. Ergonomic jack height with center pull hydraulic ram.
- * Heavy duty power coated frame. Extra strong tube frame with built-in hose storage brackets.
- * A complete drainage system. Pump position allows you to fully drain all hoses.



CALL FOR PRICING

FREESTANDING TRANSPORT TANKS



LIFTING-LUGS

Built-in and engineered to take the *weight of the tank, these make lifting the tank on and off the trailer a breeze.

THICK-WALL DESIGN

Extra-thick walls provide unmatched strength and durability.

PIN-MOUNT SYSTEM

The molded-in mounting lugs combined with heavy-duty steel pins will keep this tank fixed without movement. No hoops. No bands. No maintenance.

These freestanding Transport Tanks feature horizontal legs and are widely considered the most secure transport tank in the market. With the Pin-Mount advantage, these tanks are secured with double the number of fasteners than other tanks for similar use.

Available in sizes:
110 gallon to 4,500 gallon.

4 colors to choose from
Green & Black are standard
Yellow & White are special order.

ANTI-SPLASH STAINLESS LID

Lockable and spill-proof, this lid keeps liquid in while traveling on rough terrain. (Only on tanks 1,600 gallons and larger).

SINGLE-PIECE CONSTRUCTION

Rotationally-molded in a single mold means the tank is seamless, water-tight and leak-proof.

AUTO-DRAIN SUMP BASE

The sloped tank base channels every ounce of liquid to the drain. Just where it should go.

CALL FOR PRICING



Ice Master P-Series

250 and 400 gallon makes filling and attachment changes faster and safer with the FAST-Fill System. Lifting and transfer is made safe and easy with fork-points. Ice Control Boom not included.

250 Gallon

Length - 80", Width - 47", Height - 38"

PART# IMS250P160

\$4,746.00 Y

400 Gallon

Length - 102", Width - 48", Height - 43"

PART# IMS400P160

\$5,596.00 Y



Ice Control Receiver Hitch

With the ice control receiver hitch, adding a spray boom to your sprayer is easy. Unit slides into a 2-5/16" tow hitch.

PART# IMSBRI
\$66.29 Y



Ice Master TR-Series

250 gallon pull-behind, trailer-mounted ice control sprayer turns almost any vehicle into a winter weather safety vehicle. Fork-points for easy movement, servicing and transport. Ice Control Boom not included.

Length - 132", Width - 68", Height - 60"

PART# IMS250TR160

\$6,731.00 Y



4' Ice Boom Control

Spray nozzle qty - 4
Nozzle Output - 1.5 GPM
Boom Width - 46"
Spray Width - Up to 6'

FITS ON : U-SERIES

PART# IMSB4
\$424.00 Y



Ice Master U-Series

Lifting, moving and transfer of the 100 gallon tank is made safe and easy with fork-points. Boom mounts allow for quick adjustment of boom height to match recommended nozzle height. Ice Control Boom not included.

Length - 49", Width - 45", Height - 27"

PART# IMS100U7

\$2,431.00 Y



6' Ice Boom Control

Spray nozzle qty - 6 +2 Side Nozzles
Nozzle output - 1.5 GPM
Boom Width - 78"
Spray Width - Up to 26'

FITS ON: P-SERIES & TR-SERIES

PART# IMSB6
\$749.00 Y

CALL FOR INFORMATION ON OTHER SIZES AND PRICING



POLY TANKS

ELLIPTICAL TANKS & CRADLES

ELLIPTICAL TANKS			
PART#	GALLONS	WxLxH	PRICE
ET-200	200	41x66x26	410.29 A
ET-300	300	48x70x30	519.06 A
ET-400	400	57x70x36	576.61 A
ET-500	500	57x82x36	716.09 A
ET-750	750	69x89x42	970.62 A
ET-850	850	69x89x46	1,100.99 A
ET-1000	1000	78x90x49	1,237.81 A



CRADLES FOR ET		
PART#	BANDS	PRICE
CET-200	3" x 61"	381.54 A
CET-300	3" x 74"	435.75 A
CET-400	4" x 88"	508.93 A
CET-500	4" x 88"	587.89 A
CET-750	4" x 91"	953.78 A
CET-850	4" x 99"	959.25 A
CET-1000	4" x 105"	1,303.20 A



LEG TANKS & HOOPS/SKIDS

S = SUMP W = WITHOUT SUMP *HOOPS REQUIRED **STACKABLE

LEG TANKS			
PART#	GALLON	D x L	PRICE
LT-15S	15	14x30	80.89 A
LT-25S	25	16x34	85.29 A
LT-65W	65	24x39	181.18 A
LT-70W	70**	24x39	208.71 A
LT-125W	125	32x44	295.80 A
LT-165W	165	32x54	365.53 A
LT-225W	225	38x52	422.04 A
LT-335W	335	44x56	513.93 A
LT-535W	535	48x78	697.71 A
LT-925DS	925*	62x81	1,226.05 A
LT-925DW	925*	62x81	1,226.05 A
LT-1065-56S	1065*	56x105	1,414.44 A
LT-1065-56W	1065*	56x105	1,414.44 A
LT-1800-2S	1800*	62x149	2,383.31 A
LT-1800-2W	1800*	62x149	2,383.31 A
LT-2350-88	2350*	88x146x63	3,877.55 A
LT-2600-2S	2600*	62x212	3,563.42 A
LT-2600-2W	2600*	62x212	3,563.42 A
LT-3250-88	3250*	88x146x79	4,938.14 A

LEG TANK HOOPS/SKIDS			
PART#	GALLONS	PER TANK	PRICE
HP-35	35	2	37.57 A
HP-65	65	2	48.48 A
HP-125	125	2	57.49 A
HP-165	165	2	57.49 A
HP-225	225	2	67.84 A
HP-335	338	2	85.19 A
HP-535	535	2	91.00 A
HP-925	925	2	204.82 A
SK-925	925	1	639.99 A
HP-1065	1065	3	302.26 A
SK-1065S	1065	1	764.48 A
SK-1065W	1065	1	513.25 A
HP-1800	1800	4	451.07 A
SK-1800S	1800	1	1,209.24 A
SK-1800W	1800	1	926.10 A
SK-2600	2600	1	1,553.35 A
HP-3250	3250	4	1,046.15 A

PRICING ON ALL POLY TANKS ARE SUBJECT TO CHANGE, FOR CURRENT PRICING AND AVAILABILITY PLEASE CALL

PICK-UP TANKS



PICK-UP TANKS				
PART#	GALLON	WEIGHT	W x H	PRICE
PUT-200	200	54	52x30	269.91 A
PUT-275	275		60 x 28.75	464.53 A
PUT-350	350	92	62x34	411.36 A
PUT-400	400		60 x 39.75	503.59 A
PUT-450	450	106	62x41	479.31 A

POLY TANKS & CLEANERS

HORIZONTAL TANKS & CRADLES



HORIZONTAL TANKS				
PART#	GALLONS	WEIGHT	D x L	PRICE
HT-25	25	14	23x22	82.81 A
HT-55	55	23	23x38	136.60 A
HT-95	95	35	24x56	220.43 A
HT-110	110	40	30x44	224.22 A
HT-15032	150	48	32x52	275.71 A
HT-20032	200	64	32x68	327.78 A
HT-20038	200	64	38x51	327.78 A
HT-300	300	88	38x76	420.01 A
HT-500	500	122	48x79	571.24 A

CRADLES FOR HT		
PART#	BANDS	PRICE
CHT-25	1.5" x 50"	75.22 A
CHT-55	2" x 50.5"	82.29 A
CHT-95	2" x 51.5"	145.25 A
CHT-110	2.75" x 60"	164.94 A
CHT-150	2.75" x 56"	230.23 A
CHT-20032	2.75" x 57"	334.86 A
CHT-20038	2.75" x 65"	318.81 A
CHT-300	2.75" x 69.5"	385.02 A
CHT-500	2.75" x 86.5"	469.10 A



VERTICAL TANKS

VERTICAL TANKS				
PART#	GALLONS	WEIGHT	D x H	PRICE
VT-65	65	25	23x42	145.24 A
VT-100	100	36	28x45	209.64 A
VT-110	110	40	32x41	218.34 A
VT-175	175	54	31x61	269.64 A
VT-225	225	65	31x76	359.05 A
VT-265	265	74	31x88	393.34 A
VT-300	300	72	42x55	384.35 A
VT-425	425	100	42x75	495.11 A
VT-550	550	116	52x66	562.06 A
VT-600	600	130	46x91	629.97 A
VT-1050	1050	190	86x54	869.54 A
VT-1350	1350	228	86x65	1,021.60 A

ENDURAPLAS VERTICAL TANKS				
PART#	GALLONS	CAPACITY	D x H	PRICE
EVT-1000	1000	1125	80 x 65	878.38 Y
EVT-1550	1550	1700	85 x 78	1,069.14 Y
EVT-1650	1650	1731	90 x 73	1,173.99 Y
EVT-1750	1750	2009	85 x 89	1,234.97 Y
EVT-2000	2000	2276	90 x 93	1,508.67 Y
EVT-2100	2100	2208	85 x 100	1,508.67 Y
EVT-2500	2500	2833	90 x 113	1,723.19 Y
EVT-3000	3000	3341	90 x 130	2,111.50 Y
EVT-5500	5000	5500	110 x 150	4,358.96 Y
EVT-6500	6000	6500	110 x 179	6,020.94 Y
EVT-7011	7011	7011	144 x 126	6,200.42 Y
EVT-8000	8000	8150	144 x 142	8,024.76 Y
EVT-10000	10000	10400	144 x 178	9,641.83 Y

TANK CLEANER & NEUTRALIZER		
PART#	DESCRIPTION	PRICE
ALLCLEAR	DECONTAMINATOR GAL	34.75 NET
CUTRINE	ALGAECIDE GAL	17.50 Y



FEATURES:
 UV STABILIZED POLYETHYLENE
 STRONG LID STRUCTURE/VENTED
 SUITABLE FOR LIQUID FERTILIZER
 4 POSITIVE TIE DOWN POINTS
 MOLDED IN CALIBRATION
 2" STANDARD FITTING (1000 - 2500)
 3" STANDARD FITTING (3000 - 10000)

PRICING ON ALL POLY TANKS ARE SUBJECT TO CHANGE, PLEASE CALL FOR CURRENT PRICING AND AVAILABILITY

INDUCTORS & RINSE TANK

**FULL DRAIN INDUCTOR TANKS
NO BULKHEAD FITTING MEANS
COMPLETE TANK DRAINAGE.**

“KIT INCLUDES - 2” FITTINGS”

1-Close Nipple, 2 Hose Barbs,
1-Threaded Tee & Valve



INDUCTORS		
PART#	DESCRIPTION	PRICE
ATK-15	15 GAL TANK (1-1/2")	90.76 A
ATKS-15	15 GAL STAND	83.90 A
ATK15KIT	15 GAL KIT	242.10 A
ATK-30	30 GAL TANK (1-1/2")	117.27 A
ATKS-30/55	30 GAL STAND	89.05 A
ATK30KIT	30 GAL KIT	270.70 A
ATK-40	40 GAL TANK (2")	165.62 A
ATKS-40/85	40 GAL STAND	154.95 A
ATK40KIT	40 GAL KIT	390.15 A
ATK-55	55 GAL TANK (1-1/2")	153.24 A
ATKS-30/55	55 GAL STAND	89.05 A
ATK55KIT	55 GAL KIT	308.01 A
ATK-60MAG	60 GAL MAG TANK (2")	180.77 A
ATKS-40/85	60 GAL MAG STAND	154.95 A
ATK60MAGKIT	60 GAL MAG KIT	399.00 A
ATK-85	85 GAL TANK (2")	216.26 A
ATKS-40/85	85 GAL STAND	154.95 A
ATK85KIT	85 GAL KIT	435.53 A
ATK-110	110 GAL TANK (2")	254.71 A
ATKS-110	110 GAL STAND	154.95 A
ATK110KIT	110 GAL KIT	463.72 A
ETK30	30 GAL TANK/STAND	373.74 A
ETK30KIT	30 GAL KIT	438.50 A
ETK45	45 GAL TANK/STAND	394.85 A
ETK45KIT	45 GAL KIT	459.61 A
ETK60	60 GAL TANK/STAND	401.19 A
ETK60KIT	60 GAL KIT	465.95 A
TKI (12V)	20 GAL INOCULATOR 12V	609.00 A
TKI-115V	20 GAL INOCULATOR 115V	684.00 A

RINSE TANK



RT-9-KIT (SHOWN)

RINSE TANKS		
PART#	DESCRIPTION	PRICE
RT-2.5	2.5 Gal Rinse Tank	40.71 A
RT-3	3 Gal Rinse Tank	42.37 A
RT-3-KIT	3 Gal Rinse Tank Kit	49.25 A
RT-4	4 Gal Rinse Tank	63.25 A
RT-4-KIT	4 Gal Rinse Tank Kit	73.25 A
RT-5	5 Gal Rinse Tank	63.01 A
RT-5-KIT	5 Gal Rinse Tank Kit	74.25 A
RT-9-KIT	9 Gal Tank/Valve/Compartment	157.75 A
RT-10	10 Gal Rinse Tank	87.34 A
RT-10-KIT	10 Gal Rinse Tank Kit	99.25 A
RT-20	20 Gal Rinse Tank	89.55 A
RT-35	35 Gal Rinse Tank	112.99 A
RT-56	56 Gal Rinse Tank	155.87 A

PRICING ON ALL POLY TANKS ARE SUBJECT TO CHANGE, PLEASE CALL FOR CURRENT PRICING AND AVAILABILITY

TANK ACCESSORIES

POLY TANK LIDS		
PART#	DESCRIPTION	PRICE
60002	8" w/AIR VENT	17.89 S
60003	8" RING ONLY	8.15 S
60011	16" w/AIR VENT	32.32 S
60012	16" RING ONLY	10.22 S
60019	4" w/AIR VENT (AIR VENT FOR 16" LID)	13.53 S
60032	8" w/RING & AIR VENT	25.05 S
60038	16" w/RING & AIR VENT	38.28 S
60322	5" w/BALL CHECK AIR VENT (Prior 2/1/00)	13.53 S
60365	16" VENTLESS	35.33 S
60367	16" VENTLESS w/RING	39.78 S
61727	AIR VENT FOR 8" ONLY (snap on)	6.07 S
62531	LANYARD	1.36 S
TL16-PRO	Tank Lid (EnduraPlas)	61.50 Y



POLY BULKHEAD FITTINGS				
PART#	DESCRIPTION	HOLE SIZE	PRICE	
BHF12	1/2" BULKHEAD	1-5/8"	11.95 S	
BHF34	3/4" BULKHEAD	1-5/8"	11.95 S	
BHF100	1" BULKHEAD	2-1/4"	14.23 S	
BHF114	1-1/4" BULKHEAD	2-1/4"	16.58 S	
BHF112	1-1/2" BULKHEAD	3"	25.48 S	
BHF200	2" BULKHEAD	3"	25.48 S	
BHF220	2" FP BULKHEAD	3-1/4"	32.60 S	
BHF300	3" BULKHEAD	4-1/2"	54.62 S	
MTF220BD	2" MANIFOLD FLANGE	3-1/4"	35.90 S	
MTF300BD	3" MANIFOLD FLANGE	4-1/4"	61.22 S	
62834	1/2" HD DOUBLE THREAD BULKHEAD	1-7/16"	6.92 S	
60401	3/4" DOUBLE THREAD BULKHEAD	1-7/16"	5.41 S	
62798	3/4" HD DOUBLE THREAD BULKHEAD	1-5/8"	7.18 S	
60427	1" DOUBLE THREAD BULKHEAD	2-1/4"	6.92 S	
60403	1-1/4" DOUBLE THREAD BULKHEAD	2-1/4"	6.78 S	
63065	1-1/4" ANIT-VORTEX BULKHEAD	2-1/4"	8.66 S	
60124	1-1/2" DOUBLE THREAD BULKHEAD	3"	10.37 S	
60405	2" DOUBLE THREAD BULKHEAD	3"	9.88 S	



POLY SIPHON TUBES		
PART#	DESCRIPTION	PRICE
BHST200	2" SIPHON TUBE	25.89 S
BHST300	3" SIPHON TUBE	38.28 S



TANK ACCESSORIES

VORTEX CAP			
PART#	DESCRIPTION	HOLE SIZE	PRICE
VC230	2" ANTI VORTEX W/12 MESH SCREEN	2"	23.23 S
VC330	3" ANTI VORTEX W/10 MESH SCREEN	3"	39.27 S
TF100AV	1" ANTI VORTEX TANK FLANGES	2-1/4"	31.23 S
TF125AV	1-1/4" ANTI VORTEX TANK FLANGES	2-1/4"	31.23 S
TF150AV	1-1/2" ANTI VORTEX TANK FLANGES	3"	39.05 S
TF200AV	2" ANTI VORTEX TANK FLANGES	3"	39.05 S



BUTRESS X MALE ADAPTER		
PART#	DESCRIPTION	PRICE
TA283	2" Buttress x 2" Male NPT w/Santoprene Gasket	25.77 S
TA283QD	2" Buttress x 2" Male Adapter QDC w/Santoprene Gasket	20.07 S

POLY SWIVEL		
PART#	DESCRIPTION	PRICE
BSW100	1" SWIVEL	18.32 S
BSW150	1-1/2" SWIVEL	22.43 S
BSW200	2" SWIVEL	25.15 S
BSW220	2" FP SWIVEL	41.86 S



POLY DRUM FAUCET		
PART#	DESCRIPTION	PRICE
D1050	3/4" FAUCET	5.95 R
D1050-2	2" FAUCET	40.75 R



WATER CONTROL VALVES		
PART#	DESCRIPTION	PRICE
HVFLOAT	1" WATER LEVEL VALVE 8-140 PSI 1" FPT	39.75 R
HVKIT	TANK FLOAT KIT	59.95 R
P09	HV REPLACEMENT SCREEN	3.95 NET
K4	HV REPAIR KIT	16.95 NET
RJV20-HF-LP	3/4" FLOW ROJO FLOAT VALVE	66.96 Y



POLY MANIFOLD		
PART#	DESCRIPTION	PRICE
TM075/050	8 Station Manifold 3/4" Inlet x 1/2" Outlet, Gauge Port	44.94 S

TANK REPAIR/SIGHT KITS		
PART#	DESCRIPTION	PRICE
60221	POLY WELDING GUN & ROD	321.18 S
61879	POLY WELDING ROD - 30'	67.78 S
SGKIT	SIGHT GLASS KIT	99.00 Y



BLOCKAGE MONITOR



SAFE GUARD HAS YOUR BACK

Applying liquid fertilizer used to be a pain in the neck. Not anymore. You no longer have to watch your back for application blockages.

With SafeGuard's in-cab audible alarm and visual display, you'll instantly hear and see what you've been missing. SafeGuard's around-the-clock protection continuously monitors your application. SafeGuard instantly informs you of liquid blockages and pinpoints their location, arming you with the knowledge and power to fix them immediately to stop yield reduction and profit loss dead in their tracks. Take back control of your application and put more dollars in your pocket.

CALL FOR PRICING



MICRO-TRAK MONITORS

FEATURES:

- *Accurate Speed, Area and Distance Measurement
- *Includes Hall-effect speed sensor, mounting hardware and weatherproof connections
- *Wide range of use - sprayers, tractors, ATV's, trucks, floaters, etc.
- *Provides improved chemical efficiency and accuracy
- *Area Per Hour & Accumulated Hour functions to track progress, plan work, and schedule maintenance
- *Width Reduction function to measure the effective area of active boom sections
- *Provides shaft RPM readout (with optional Shaft Sensor Kit)
- *Push-button run/hold
- *Distance measurement
- *3 independent area counters
- *Displays true ground speed to 1/10 mph

CALC-AN-ACRE II



PART# 01000 \$466.00 R



TWIN PUMP CONTROLLER

FEATURES:

- *Single or dual pump control system
- *Programmed to turn on secondary pump ONLY when needed
- *On-the-go rate adjustment in Auto control mode
- *Built-in capacity for VRA
- *Low Tank Alarm: "Fill" flashes in display when tank level is low (settable)
- *Troubleshooting enhancements including "No Speed" and "No Flow" messages

PART# 01454 \$1,537.00 R

The FlowTrak II is a user-friendly monitor for farmers, custom applicators and groundskeepers needing a simple, low-cost way to achieve greater accuracy when applying liquid herbicides and fertilizers.

FEATURES:

- *Application rate, flow rate, speed, distance and area per hour functions, plus 3 separate sets of area and total flow counters
- *Push-button run/hold feature to stop area count when on ends and moving between fields
- **"Control" output that can turn a valve or pump On/Off for batch control
- *Records total volume applied to the nearest tenth of a gallon
- *Track tank volume with a handy tank alarm
- *Triple counters for volume and area
- *Out-of-range warning light
- *Includes flowmeter and speed sensor

FLOW-TRAK II



PART# 01020 \$1,277.00 R



MICRO-TRAK MONITORS

SHAFT-TRAK

Monitors up to 6 independent shafts simultaneously, or up to 6 lin level sensors or a combination of up to 3 shaft and 3 bin levels.

FEATURES:

PART#	# SHAFTS	PRICE
01323	0	534.00 R
01330	1	595.00 R
01331	2	682.00 R
01332	3	719.00 R
01333	4	777.00 R
01334	5	840.00 R
01335	6	899.00 R

- *The simplest of all monitors - simply install sensors and turn on power settings or calibration are required
- *Immediate notification when shaft RPM drops below 45 or level in the bin drops below the bin level sensor
- *Standard with Hall-effect (non-mechanical) magnetic shaft speed sensor
- *Visual and audible alarms
- *Eliminate unseeded areas
- *Save money and time by seeding once
- *Avoid embarrassing and costly skips

DUAL ISOMODE - RATE CONTROLLER FOR ISOBUS

Flexible, powerful, automatic rate controller - features Single or Dual channel control and multi-section capabilities. It is ISOBUS ready, connecting easily to existing control systems and utilizing an in-cab ISO terminal for setup and control.

- * Advanced rate control combined with flexible channel configuration options - choose from Normal, Parallel and Injection modes.
- * Powerful Multifunction outputs to control on/off valve for Master, Relief, Flow Trigger or Flush functions.

Designed from the ground up to meet the unique needs of today's precision farmers.

Part# 01845 \$1,677.00 R

Dual ISOmod kit - Single Product Rate Control
 (Includes: module, power cable & channel 1 cable)

Part# 01993 \$1,887.00 R

Dual ISOmod kit - Dual Product Rate Control
 (Includes: module, power cable & Channel 1 & 2 cables)



PART#	ISOmod Kit Parts	PRICE
19667	Dual ISOmod Module	1,219.50 R
19604	Dual ISOmod Bulkhead Harness 2'	533.96 R
19605	Dual ISOmod Channel 1 Branch Cable 10'	250.37 R
19606	Dual ISOmod Channel 2 Branch Cable 10'	249.02 R
19669	Dual ISOmod 6-section Branch Cable 10'	125.00 R
19670	Dual ISOmod 12-section Branch Cable 10'	255.00 R

AUTOMATIC RATE CONTROLLERS



SPRAYMATE II

PART# 01340 \$1,715.00 R

SPRAYMATE Plus

PART# 01352 \$2,094.00 R



FEATURES :

- *All-in-one design with built-in controls for up to 3 separate boom sections
- *Master control switch standard
- *Standard On/Off power switch
- *Flash memory for simple customizing
- *Bulit-in capability for future VRA
- *Added NH3 and Turf units
- *Records area and volume in 3 independent pairs of counters so individual jobs may be tracked
- *Tank counter shows amount remaining in tank
- *Enhanced reliability, precision and accuracy
- *Inline/bypass for servos
- *Troubleshooting enhancements including “No Speed” and “No Flow” messages
- *On-the-go rate adjustment
- *Push-button auto/manual feature for spot treatments
- *Minimum flow feature to ensure proper application pattern as ground speed slows to extremes
- *Precise rate control regardless of field condition
- *Solenoid and ball valve compatible
- *Flow-based control
- *Controls electric and hydraulic valves/motors
- *NH3 compatible

Designed for use with existing boom control switches.
 FTW Model available for use with proportional shutoff valves.

FEATURES:

- *On-the-go rate adjustment
- *Push-button auto/manual feature for spot treatment
- *Minimum flow feature to ensure proper application pattern as ground speed slows to extremes
- *Precise rate control regardless of field condition
- *Solenoid and ball valve compatible
- *Flow-based control
- *Controls electric and hydraulic valves/motors
- *NH3 compatible

MT-2405F II

5 - Boom Control



PART# 01224 \$1,526.00 R

Plus SERIES

AUTOMATIC RATE CONTROLLERS



RATEKING Plus

PART# 01878 \$1,432.00 R



RATEKING DUAL Plus

PART# 01899 \$2,445.00 R

New and Expanded Features

- * Flow or Pressure Based Control
 - * Pressure Monitoring
- * PWM or Servo Control to accommodate different PWM devices
- * Adjustable PWM Minimum and Maximum Pulse Width to prevent motor stalling or over pressure
 - * Multifunction Output can be set to Control an On/Off Valve for Master, Relief, Flow Trigger or flush functions
- * Closed or Open Loop Control offer the option of running without a flowmeter
- * Custom Data Position offers the ability to monitor VRA activity or live PWM activity
 - * Calibration Lockout prevents inadvertent Calibration changes
 - * Selectable Control Valve Polarity
 - * Selectable Section Valve Polarity
 - * Rate Error LED
 - * Selectable Rate Alarm Percentage
 - * Selected Hold State
- * Dedicated Increase/Decrease Rate Buttons
 - * Three-Way Section Valve Control
 - * Selectable Start & Speed Time

AUTOMATIC NH3 RATE CONTROLLERS

Designed specifically to control anhydrous ammonia.

MT-NH3 II

FEATURES:

- *Built-in capability for future VRA
- *Records area and volume in 3 independent pairs of counters so individual jobs may be tracked
- *Enhanced reliability, precision and accuracy
- *Troubleshooting enhancements including “No Speed” and “No Flow” messages
- *Provides a complete picture of critical application functions and an accurate record of work performed
- *Includes console/main valve ON/OFF switch with safety lock
- *Application Rate Actual “N” - Displays the amount of actual “N” applied per unit area
- *Flow Rate - Displays the amount of NH3 applied per minute
- *Total NH3 - Records the total amount of NH3 applied (3 counters)
- *Area Per Hour - Tracks work progress
- *Ground Speed



PART# 01144 \$1,166.00 R

DirectConnect KITS

Micro-Trak’s Liquid and NH3 Kits are now **COMPLETELY** compatible with all Major controllers in the industry.

---Easily connect your Micro-Trak system to---

- | | |
|------------|--------------|
| * Topcon | * John Deere |
| * Trimble | * Raven |
| * AgLeader | * Case |



Micro-Trak is constantly growing our compatibility list.
 If you do not see your brand, simply give us a call for the latest list available.



LIQUIFIER MAX



Specifications:

- *70 GPM @ 100 psi Tank Pressure (21,000 lbs NH3/hr)
- *40 GPM @ 40 psi Tank Pressure (12,000 lbs NH3/hr)

Features:

- *High capacity stainless steel heat exchanger rated up to 21,000 lbs NH3/hr
- *Extended application window means superior performance even in extremely cold weather
- *Increased capacity - Colder Temps - Larger Toolbars

LIQUIFIER



Specification:

- *40 GPM @ 100 psi Tank Pressure (12,000 lbs NH3/hr)
- *25 GPM @ 40 psi Tank Pressure (7,500 lbs NH3/hr)

Feature:

- *Stainless steel heat exchanger rated up to 12,000 lbs NH3/hr
- *Straight-through design means superior performance even in extremely cold weather

CALL FOR PRICING

LIQUIFIER JUNIOR



Specifications:

- *23 GPM at 100 psi Tank Pressure (6,000 lbs NH3/hr)
- *15 GPM at 40 psi Tank Pressure (3,750 lbs NH3/hr)

Features:

- *Stainless steel heat exchanger rated up to 6,000 lbs NH3/hr
- *Economically priced
- *Compact design

NH3500 Low Rate Kit Available:

- *Stainless steel heat exchange rated for 600 to 2800 lbs NH3/hr

LIQUIFIER ULTRA LOW RATE



Specifications:

- *11 GPM @ 100 psi Tank Pressure

Features:

- *Stainless steel heat exchanger rated for 600 to 2800** lbs NH3/hr
- **Delivery rates are dependent on tank pressure and plumbing

12-Volt Pump Flow Control



PART# 01757 \$611.00 R
STANDARD
PART# 01758 \$611.00 R
PWM

The Electric Motor Drive (EMD) enables all of our rate controllers, SpayMate II, MT-2405F II, SprayMate Plus, RateKing Plus, RateKing Dual Plus and RoadMaster, to control the rate of flow by regulating the speed of a 12 volt pump. It can also be integrated into most major-brand control systems.

Precise, accurate and effective control of application rate is accomplished with the EMD. It is ideal for controlling low-rate starter fertilizer and seed drills and planters.

The EMD replaces the electric servo valve and will control most 12v pumps with up to a max of 40 amps.

The system can be purchased as a part of a customized kit complete with control console, speed sensor and flowmeter, or if you presently own one of the controllers listed above, you can just add the EMD Kit and use your existing console and components.

Installation is easy; install on your planter sprayer set up or custom ATV.

Astro GPS Speed Sensors



PART# 01410 Astro II \$391.00 R
PART# 01425 Astro 5 \$526.00 R

**Two models to choose from:
 the economic Astro II or super-fast Astro 5**

Great Price. Compact. Accurate. Durable.

- * The Astro GPS Speed Sensors are a direct replacement for magnetic wheel speed sensors or radar guns and can interface to most brands of monitors and controllers.
- * The magnetic mount bracket is standard and allows for quick installation and easy transfer from one vehicle to another. Optional vacuum mount kits available.
- * Not affected by crop canopies or adverse ground conditions.
- * Improve productivity and efficiency!

The Astro includes 2 red status lights on the interface module:

- * **POWER:** turns on when power is applied to the unit.
- * **VALID GPS:** blinks when the GPS receiver is working but has not yet acquired satellites.

MC-25 MANUAL CONTROLLER

PART# 01068 \$470.00 R



Applications:

- * Control motor speed on any 12-volt pump to vary output
- * Provides accuracy over a wide range of RPM's
- * Used for low volume starter fertilizer on drills and planters

Features:

- * Manual Speed Control for 12-Volt Pumps
- * Built-in circuit breaker
- * Available with or without pressure gauge bracket
- * Mounts in the tractor cab for easy access
- * On/Off Control Switch with power indicator lamp
- * 10' and 20' Motor Extension Cables Available

CUSTOMIZED SYSTEMS

CHOOSE ONE FROM EACH CATEGORY TO CUSTOM BUILD
 A COMPLETE SYSTEM TO FIT YOUR APPLICATION



A. CONSOLE WITH MAIN HARNESS		
PART#	DESCRIPTION	PRICE
01341	SPRAYMATE	818.00 R
01226	MT-2405F WITH UNIVERSAL HARNESS	646.00 R
01878	RATEKING Plus	1,432.00 R
01899	RATEKING DUAL Plus	2,445.00 R



B. GROUND SPEED SENSOR		
PART#	DESCRIPTION	PRICE
14214	RADAR ADAPTER FOR JOHN DEERE 7000, 8000 & 9000 SERIES	96.00 R
14215	RADAR INTERFACE DICKEY-JOHN AMP CONNECTOR	144.00 R
14217	RADAR INTERFACE DICKEY-JOHN DEUTCH CONNECTOR	144.00 R
14218	RADAR INTERFACE DICKEY-JOHN FORD CONNECTOR	144.00 R
14219	RADAR INTERFACE DICKEY-JOHN PACKARD CONNECTOR	144.00 R
14220	RADAR INTERFACE PHILIPS/MAGNAVOX	144.00 R
14221	RADAR INTERFACE RAVEN	144.00 R
01527	VANSCO RADAR COMPLETE ASSEMBLY	960.00 R
01531	MAGNETIC SPEED SENSOR KIT	188.00 R



C. FLOWMETER KITS		
PART#	DESCRIPTION	PRICE
01500	FM500 POLY FLOWMETER KIT (1/2" FPT .5-5 GPM)	394.00 R
01501	FM750GFN NYLON FLOWMETER KIT (3/4" FPT 2-40 GPM)	394.00 R
01504	FM750SS STAINLESS FLOWMETER KIT (3/4" FPT 2-40 GPM)	711.00 R
01505	FM1000SS STAINLESS FLOWMETER KIT (1" FPT 3.5-70 GPM)	711.00 R
01515	FLOWMASTER 270 POLY FLOWMETER KIT (2" FLANGE 2-70 GPM)	648.00 R
01506	FM1500SS STAINLESS FLOWMETER KIT (1-1/2" FPT 10-130 GPM)	1,015.00 R



D. LIQUID FLOW CONTROL (SERVO) VALVE KIT		
PART#	DESCRIPTION	PRICE
19093	1" SERVO VALVE KIT 150 PSI	325.00 R
19096	1" FLANGED SERVO VALVE KIT	455.00 R



REPLACEMENT PARTS

MAIN HARNESES

PART#	CABLE	USED WITH	PRICE
10415	Main Wiring Harness	MT-3000	383.99 R
14318	Power & Boom Harness	MT-3405 & 9000	391.66 R
14319	Console Boom Branch Harness	MT-3405 & 9000	214.73 R
14320	Flow, Servo, R/H Harness	MT-3405 & 9000	149.74 R
14313	Flow, Servo, Boom Harness	Spraymate	235.22 R
11039	NH3 Main Harness	MT-3000	316.98 R
11037	NH3 Flow, Servo, Shutoff Cable	MT-3000	98.34 R
13273	NH3 Flow, Servo, Shutoff Cable	All current consoles	383.94 R

FLOWMETER PARTS

PART#	DESCRIPTION	PRICE
10137	Teflon gasket FM750SS, FM750N, FM1000SS	6.49 R
10605	O-ring FM500	4.41 R
14836	Turbine FM750GFN, N, SS, FM1000SS, FM1500SS	118.67 R
13783	Quad O-ring FM750GFN	21.31 R
20182	Turbine FM500	87.46 R
11277	Bearing, Gasket Kit FM750, FM1000, FM1500	76.52 R

NH3 SYSTEM PARTS

PART#	DESCRIPTION	PRICE
10899	FM750N Flowmeter (NH3500)	844.40 R
12274	FM1500SS Flowmeter (Liquifier)	1,259.26 R
19102	NH3 Servo Valve	1,152.00 R
10233	Steel Vapor Tube	49.30 R
11008	3/8" FPT x 3/8" Vapor Tube (NH3500)	22.65 R
11009	3/4" MPT x 3/8" Vapor Tube (NH3500)	23.36 R

MOUNTING ACCESSORIES

PART#	DESCRIPTION	PRICE
10049	Mounting Bracket 84C Calc, FlowTrak	10.60 R
13181	Console Mounting Kit (base products)	26.11 R
13254	Console Mounting Kit MT-9000	50.82 R
10013	Mounting Bracket Speed Sensor	12.92 R
10080	Magnet Clip	8.52 R
12069	Magnet Kit (6 magnets for speed)	13.96 R

FLOWMETER SENSOR CABLES

PART#	USED WITH	PRICE
10132	84C FlowTrak	86.81 R
10417	MT-3000/5000	72.66 R
13096	All current consoles	101.24 R

MAGNETIC SPEED SENSOR CABLES

PART#	USED WITH	PRICE
10074	84C Calc, FlowTrak	85.32 R
10416	MT-3000/5000	56.86 R
13096	All Current Consoles	101.24 R



EXTENSION CABLES

METRIPAK EXTENSION CABLES

WEATHERPAK EXTENSION CABLES

PART#	DESCRIPTION	PRICE
13200	2-pin - 5' M/P Extension	56.51 R
13201	2-pin - 10' M/P Extension	61.00 R
13202	2-pin - 15' M/P Extension	65.94 R
13203	2-pin - 20' M/P Extension	68.83 R
13204	2-pin - 25' M/P Extension	74.47 R
13205	3-pin - 5' M/P Extension	62.44 R
13206	3-pin - 10' M/P Extension	66.67 R
13207	3-pin - 15' M/P Extension	74.95 R
13208	3-pin - 20' M/P Extension	79.71 R
13209	3-pin - 25' M/P Extension	85.08 R
14146	7-pin - 5' M/P Extension	148.25 R
14147	7-pin - 10' M/P Extension	214.49 R
14103	7-pin - 15' M/P Extension	277.41 R
14236	7-pin - 20' M/P Extension	337.15 R
14237	7-pin - 25' M/P Extension	393.29 R
13220	10-pin - 5' M/P Extension	108.53 R
13221	10-pin - 10' M/P Extension	129.06 R
13222	10-pin - 15' M/P Extension	148.20 R
13223	10-pin - 20' M/P Extension	177.51 R
13224	10-pin - 25' M/P Extension	209.16 R
14142	10-pin - 50' M/P Extension	385.93 R
14363	10-pin - 5' M/P 5/5 Extension	114.86 R
14316	10-pin - 10' M/P 5/5 Extension	170.30 R
14317	10-pin - 15' M/P 5/5 Extension	204.73 R
14364	10-pin - 20' M/P 5/5 Extension	251.51 R
14365	10-pin - 25' M/P 5/5 Extension	295.73 R
14419	10-pin - 50' M/P 5/5 Extension	507.71 R

PART#	DESCRIPTION	PRICE
11560	2-pin - 5' W/P Extension	44.67 R
11561	2-pin - 10' W/P Extension	51.89 R
11671	2-pin - 15' W/P Extension	56.45 R
11672	2-pin - 20' W/P Extension	57.66 R
10450	3-pin - 5' W/P Extension	58.27 R
10449	3-pin - 10' W/P Extension	65.32 R
10876	3-pin - 15' W/P Extension	74.48 R
10829	3-pin - 20' W/P Extension	82.42 R
11462	3-pin - 25' W/P Extension	90.20 R
11050	6-pin - 5' W/P Extension	105.55 R
11051	6-pin - 10' W/P Extension	130.86 R
11052	6-pin - 20' W/P Extension	183.55 R



ARC and TASC CONSOLES

ARC and TASC Series Features:

- * Large, backlit LCD display shows speed, application rate, total applied, working width, distance covered, field area and total area.
- * Scan feature monitors and displays all functions.
- * Error message system signals misapplication and identifies problem source.
- * Ground Speed Override function can be set to match operating conditions.
- * All TASC and ARC consoles carry CE certification.
- * Nonvolatile memory retains settings and data when disconnected from power.
- * English and metric operating modes.
- * Variable Rate-ready consoles can be connected to Mid-Tech printers or Mid-Tech Data Link for variable-rate applications.
- * Upgradable firmware.



ARC 6000



TASC 6100



TASC 6200



TASC 6300



TASC 6500



TASC 6600

CALL FOR PRICING

	NUMBER		VARIABLE	INJECTION
MODEL	OF PRODUCTS	LIQUID/DRY	RATE READY	READY
ARC 6000	1	Both	No	No
TASC 6100	1	Both	Yes	No
TASC 6200	2	Both	Yes	No
TASC6300	Carrier + 3 Injection	Liquid	Yes	Yes
TASC6500	Dual-product + 3 Injection	Both	Yes	Yes
TASC 6600	Carrier + 6 Injection	Liquid	Yes	Yes

MANUAL CONTROLS & VALVES



744A Manual Sprayer Control

- Manual spray controller in a compact package
- Choice of Dry or Liquid filled gauge
- Heavy-duty switches with LED indicators
- Available in a variety of kit forms using solenoid valves
- Directo Valve shutoff ball valves are ordered separately

744A MANUAL CONTROL KITS				
PART#	Control Kit#	Qty per/kit	Kits using 144A & 244C Valves	Price
90-50161	AAK744A-100L-30S	1	744A-100L-3 Sprayer Control Unit	375.29 R
		1	244C-3/4 Pressure regulating valve No valve	
90-50163	AAK744A-100L-33S	1	744A-100L-3 Sprayer Control Unit	601.61 R
		1	244C-3/4 Pressure regulating valve	
		3	144A Directo Valve Boom Section Valves	
90-50177	AAK744A-100L-33P	1	744A-100L-3 Sprayer Control Unit	812.17 R
		1	244C-3/4 Pressure regulating valve	
		3	144P Directo Valve Boom Section Valves	

SPRAYING SYSTEMS SOLENOID VALVES					
PART#	INLET	OUTLET	MAX PSI	GPM	PRICE
AA144A-1	3/4"	1/2"	100	10	186.66 S
AA144A-2	3/4"	1/2"	100	10	378.13 S
AA144A-3	3/4"	1/2"	100	10	569.63 S
AA144P-1	3/4"	1/2"	100	10	257.25 S
AA144P-3	3/4"	1/2"	100	10	771.54 S



AA144A-1



AA144A-3



AA144P-3

PRESSURE REGULATING BUTTERFLY VALVE

Butterfly Valve for 744A

The TeeJet butterfly valve provides remote pressure control and features a two-wire lead for use in 12 VDC systems. Its quality design features good consumption of 0.15 amp and 3/4" NPT or BSPT (F) connections.

Features:

Pressure drop of 5 PSI (0.35 bar) for 45 GPM (170 l/min) flow.
Maximum operating pressure is 100 PSI (7 bars).



PART# AA244C-3/4 \$128.74 S

AUTOMATIC RATE CONTROLLERS

854 Sprayer Control



- Smart Sensing automatically selects between pressure or flow sensors, choosing the best sensor for that application.
- Communications port for printer, PC and GPS connections.

Enjoy a new generation of flexibility and power with the TeeJet 854 Sprayer Control.

This innovative new product combines the simple operation and programming of the proven TeeJet line with features not available until now in spray control systems.

Features:

- Rugged construction, sealed switches and nonvolatile memory mean, durability that will not let you down.
- Single-connection wiring system provides durability that is clutter-free.
- Front panel has clear instructions for easy operation.
- Saves summary reports on up to 10 jobs.
- Auto-Master can be set to automatically switch boom sections on and off at predetermined speeds.
- Auto tank fill allows the console to control tank-filling operations.
- Dual boom capacity means wider ranges of speed and application rate.

854 CONSOLE KITS		
PART#	DESCRIPTION	PRICE
90-02108	KIT, CONSOLE 854 CORE	1,896.64 R
75-50001	854 CONSOLE ONLY	1,573.24 R
90-50226	KIT, CONSOLE 854 CORE WITHOUT CABLES	1,624.28 R

*854 CORE KITS CONSIST OF: CONSOLE WITH MOUNTING BRACKETS, CABLES AND MANUALS

834 Sprayer Control



The TeeJet 834 is a convenient and fully automatic sprayer control. Designed to be easy to use and reliable, the 834 control system is ideal for applicators who want the precision of computerized rate control without the complexity of more sophisticated systems.

Features:

- * Compact size for convenience and easy mounting.
- * Rugged aluminum construction symbolizes quality construction and reliability.
- * Simple programming with only five values needed.
- * Operating tips on the front panel make it convenient to recall programming steps.
- * Manual mode is available for special application needs.

834 CONSOLE KITS		
PART#	DESCRIPTION	PRICE
90-50014	46101 CORE KIT PRESSURE BASED US UNITS	1594.06 R
90-50015	46101-1 CORE KIT PRESSURE BASED METRIC UNITS	1594.06 R

*834 CORE KIT INCLUDES: CONSOLE, BRACKETS, CABLES & PRESSURE SENSOR

*834 CORE KITS DO NOT INCLUDE SPEED SENSOR REGULATING VALVES OR SHUTOFF VALVES.

844-E Sprayer Control



The TeeJet 844 Sprayer Control offers spraying advantages not found in other controllers. Designed with simplicity in mind, computer-controlled spraying has never been so easy. Simply set your target application rate and the unique VisiFlo display on the 844 helps select the right TeeJet tip for the application. Once spraying begins, the large display shows application rate, volume sprayed, system pressure, sprayer speed and area covered.

***844-E CORE KITS CONSISTS OF:
CONSOLE WITH MOUNTING BRACKETS,
CABLES AND MANUALS**

844-E CONSOLE KITS		
PART#	DESCRIPTION	PRICE
90-50017	KIT, CONSOLE 844-E CORE	1,666.64 R
75-50011	844-E CONSOLE ONLY	1,335.04 R

Features:

- *Full-featured sprayer control with industry-leading ease of use.
- *Large backlit display shows all spraying information at a glance.
- *Color-coded tip selection for easy programming.
- *Communication port for PC and GPS interfacing.
- *Flow or pressure based regulation options provide reliability and flexibility.
- *Five boom section switches plus master shutoff.
- *Durable, weather-resistant aluminum housing.
- *Single cable connection for quick hookup.

FLOW, PRESSURE & SPEED SENSORS



Proximity Sensor

TeeJet proximity sensors are reliable and easy to use because they do not require magnets and will produce a signal from any metal object.

- *Built-in LED at sensor.
- *Weather resistant connector.
- *Reverse polarity protected.



Magnetic Sensor

The Magnetic speed sensor kit is designed for versatility and long life. All components are plated steel or aluminum, and each sensor is equipped with a built-in test light and waterproof connectors.

- *Built-in LED at sensor.
- *Weather resistant connector.
- *Reverse polarity protected.

TEEJET SPEED SENSORS		
PART#	DESCRIPTION	PRICE
16-40007	Wheel speed sensor kit (2 magnets)	358.70 R
16-40012	Wheel speed sensor kit (4 magnets)	461.49 R
16-40003	Wheel speed sensor only	141.63 R
16-40013	Single magnet assembly	79.30 R
16-40004	Proximity speed sensor	105.40 R



801 FLOWMETER



STANDARD FLOWMETER



PRESSURE SENSOR

TEEJET FLOWMETERS & PRESSURE SENSORS			
PART#	DESCRIPTION	RANGE	PRICE
90-50230	Kit, 801 Flowmeter w/1" hose barb	2.5-60 GPM	510.87 R
90-50231	Kit, 801 Flowmeter w/3/4" hose barb	2.5-60 GPM	510.87 R
90-50232	Kit, 801 Flowmeter w/1-1/4" hose barb	2.5-60 GPM	510.87 R
90-50233	Kit, 801 Flowmeter w/1-1/4" NPTF	2.5-60 GPM	510.87 R
57-10080	1/2" STD flowmeter w/1/2" hose barb	0.8-8 GPM	623.35 R
57-10096	3/4" STD flowmeter w/3/4" hose barb	1.9-37 GPM	630.65 R
57-10068	1" STD flowmeter w/1" hose barb	2.6-52.8 GPM	554.42 R
57-10081	1-1/2" STD flowmeter w/1-1/2" hose barb	9.2-92.5 GPM	653.67 R
57-10097	2" STD flowmeter w/2" hose barb	19-400 GPM	934.40 R
90-02476	Pressure sender, 1/4" NPT	0-145 PSI	320.76 R
90-02482	Pressure sender, 1/4" NPT	0-363 PSI	318.41 R

SPRAY CONTROLLERS



RC1B WP Boon Control System
w/Regulator Switch
100 PSI Gauge
1560A Regulator

PART# RC1BWP
\$479.34 Y



RC1B WP 3 Boom Control System
w/Regulator Switch
100 PSI Gauge
1999A WP (3 Valve Bank)
Mounting Bracket
1541A Regulator

PART# 2040WP3
\$1,050.92 Y



PART#	DESCRIPTION	PRICE
063-0171-183	440 CONSOLE 3-BOOM	1,795.00 D
063-0171-220	450 CONSOLE 6-BOOM	2,125.00 D

RAVEN SCS 440/450/460 SPRAYER CONTROL

RAVEN SCS 440/450/460 SPRAYER CONTROLLERS PROVIDE PRECISION SINGLE PRODUCT AUTOMATIC RATE CONTROL WITH THE FLEXIBILITY OF UP TO 7 BOOM SECTION INPUTS. TWO SEPARATE APPLICATION RATES CAN BE PROGRAMMED INTO THE CONTROLLERS AND SELECTED ON-THE-GO WITH THE FLIP OF A SWITCH. APPLICATION RATES CAN BE OVERRIDDEN TO ACCOMMODATE SPOT SPRAYING NEEDS EVEN WHEN IN AUTOMATIC.

THE SCS 440/450/460 CONSOLES ARE GPS COMPATIBLE FOR VARIABLE RATE APPLICATION AND DATA LOGGING. ALL LOGGED DATA CAN BE DOWNLOADED FOR USE IN DETERMINING FUTURE APPLICATION INFORMATION. USER FRIENDLY PROGRAMMING, NONVOLATILE MEMORY, EASY TO READ LIGHTED DISPLAY AND DATA LOCK, COMBINED WITH THE RELIABILITY, ACCURACY AND AFFORDABILITY OF RAVEN SYSTEMS MAKE THESE CONSOLES THE RIGHT CHOICE FOR SINGLE PRODUCT CHEMICAL APPLICATION.



DISCONTINUED

**RAVEN SCS-203 MG
SPRAYER CONTROL**

PARTS ONLY AVAILABLE





SPRAY CONTROLLERS

RAVEN SCS 4400+ CONSOLE

FOR YOUR CONVENIENCE AND SIMPLICITY, THE RAVEN SCS4400+ GIVES YOU SPRAYER CONTROL AND DATA LOGGING IN THE SAME UNIT.



SCS 4400+ CONSOLE

PART# 117-0159-926

\$2,850.00 D

- EASY TO READ DISPLAY
- GROUND SPEED COMPENSATED AUTO RATE CONTROL
- GPS COMPATIBLE
- 3-10 BOOM CONTROL
- LOW-LIMIT FUNCTION
- MULTIPLE AUDIBLE ALARMS
- DATALOG AS-APPLIED MAPS TO COMPACT FLASH
- 1/4 MONOCHROME DISPLAY
- 2 PROGRAMMABLE PRESET RATES
- PROGRAM DATA LOGGER THROUGH KEYPAD
- SERIAL INTERFACE CAPABILITIES
- COLLECTS ON-THE-GO APPLICATION INFORMATION
- EASY TO INSTALL AND OPERATE
- STORES INFORMATION IN SHAPEFILE OR ASCII FORMAT
- CONNECTS TO ANY NEW OR EXISTING GPS RECEIVER
- COMPATIBLE WITH COMMON MAPPING PROGRAMS
- AVAILABLE WITH BASIC MAP-VIEWING SOFTWARE

RAVEN ICD INJECTION PUMPS, SIDEKICK PRO



THE SCS SIDEKICK IS AN AFFORDABLE, DIRECT INJECTION ADD ON TO ANY EXISTING RAVEN SINGLE PRODUCT CONTROL CONSOLE. THE SIDEKICK ENABLES CURRENT RAVEN CONSOLE OWNERS TO GAIN PRECISION CAPABILITIES WITHOUT PURCHASING REPLACEMENT CONSOLES, CABLES ETC.

INSTALLATION IS SIMPLE. JUST ROUTE THE CABLING THROUGH THE CAB AND TO THE MODULE, ATTACH THE CONSOLE TO EXISTING RAVEN CONSOLE, POWER UP, PROGRAM AND GO. THE SIDEKICK HAS SEVERAL USER FRIENDLY PROGRAMMING FEATURES AND NONVOLATILE MEMORY TO RETAIN VALUES IN THE EVENT OF A POWER LOSS. ALL SYSTEM INFORMATION IS AVAILABLE AT THE PUSH OF A BUTTON.

THE SIDEKICK IS AVAILABLE WITH OR WITHOUT TANK TO ALLOW THE END-USERS FREEDOM TO CHOOSE TANK SIZES AND VOLUMES.



PART#	DESCRIPTION	PRICE
063-0173-772	ICD pump, less tank, 1-40 oz/min	6,681.25 D
063-0173-771	ICD pump, less tank, 5-2000 oz/min	6,681.25 D
063-0173-780	ICD pump, with 24 gal tank, 5-200 oz/min	6,012.50 D
063-0173-781	ICD pump, with 24 gal tank, 1-40 oz/min	6,012.50 D

SPEED SENSORS, FLOWMETERS & FLOWMAX 220

RAVEN RADAR & SPEED SENSORS



PART#	DESCRIPTION	PRICE
063-0159-484	WHEEL DRIVE SPEED SENSOR	439.75 D
063-0159-730	DRIVE SHAFT SENSOR	388.79 D

RAVEN FLOWMETERS



PART#	DESCRIPTION	PORT	PRICE
063-0172-040	.3 TO 15 GPM POLY	M200 FLANGED	431.25 D
063-0171-793	1 TO 60 GPM POLY	M200 FLANGED	652.50 D

RFM-60P



RFM-15



PART#	DESCRIPTION	PORT	PRICE
063-0171-066	5 TO 100 GPM POLY	BANJO FLANGED	971.25 D
063-0159-751	15 TO 200 GPM	3" FPT X 3" FPT	1,318.75 D

RFM100

RFM200



PART#	DESCRIPTION	PORT	PRICE
063-0171-666	1 TO 60 GPM STAINLESS	1-1/2" FPT	975.87 D

RFM-60S

FLOW MAX 220 & 221



The Flow Max digital Flow Meter makes monitoring flow from the nurse truck to your sprayer easy and convenient. Flow Max's digital display is easy to view and the controls are located directly on the meter, right where you need it.

PART# 063-0173-653 \$1,056.25 D



CONTROL VALVES

POLY BUTTERFLY VALVES



ALL POLYPROPYLENE CONSTRUCTION
 FEATURES HIGH TORQUE, 12V DC
 MOTOR.
 175 PSI RATING FOR USE WITH
 CHEMICALS
 AND LIQUID FERTILIZERS

PART#	DESCRIPTION	PRICE
063-0171-894	1-1/2" Valve	469.85 D
063-0171-120	3/4" Valve	256.70 D
063-0171-896	1-1/2" Valve Banjo Flanged	469.85 D
063-0172-125	1" Valve w/1" FPT Banjo Flanged	443.85 D

STAINLESS STEEL BUTTERFLY VALVES

STAINLESS STEEL BUTTERFLY VALVE FOR USE WITH HIGH
 VOLUME APPLICATIONS AND HIGH PRESSURE, 300 PSI
 RATING. VITON O-RINGS AND SEALS.

PART#	DESCRIPTION	PRICE
063-0172-177	2" Valve	995.75 D
063-0172-181	3" Valve	1,994.75 D

NH3 VALVES

1" CARBON STEEL BUTTERFLY VALVE, 12-VOLT FOR USE WITH HIGH
 VOLUME APPLICATIONS, 400 PSI RATING. VITON O-RINGS & SEALS.
 (SHOWN)



PART#	DESCRIPTION	PRICE
063-0173-877	Control Valve 1"	700.00 D
063-0173-876	On-Off Butterfly Valve 1"	700.00 D
063-0172-979	Fast Valve 1"	795.50 D

BOOM VALVES

PART#	DESCRIPTION	PRICE
063-0171-926	SINGLE	301.40 D
063-0171-928	3 SECTION	905.00 D
063-0172-039	5 SECTION	1,507.00 D



FEATURES:
 Inlet Size Mates with M200 Series Banjo Fitting
 Outlet Size is 3/4" Female NPT or Mates with M100 Series
 Max Working Pressure is 175 PSI
 Flow is 40 GPM at 10 PSI Pressure Drop. CV is 13
 Plunger Style Valve for complete shut-off

CABLES & ADAPTERS



RAVEN CONTROL CABLE COMPONENTS

SCS 440 PART#	DESCRIPTION	PRICE
115-0159-418	Console, Control Cable 10'	323.56 D
115-0159-404	Flow Control Cable 6'	209.44 D
115-0159-405	Flow Control Cable 12'	257.11 D
115-0159-509	Turf Cable, Console Control 10'	398.75 D
115-0159-707	3' Console Cable	361.11 D
115-0159-708	Flow Control Cable 24'	491.11 D
115-0159-858	6' Flow Control 3 Boom	271.35 D
115-0171-055	12' Flow Control 3 Boom	340.89 D
115-0159-409	12' Flow Control Extension Cable	236.89 D
115-0159-414	24' Flow Control Extension Cable	286.00 D
SCS 450/460 PART#	DESCRIPTION	PRICE
115-0159-495	Flow Control Cable 6'	215.22 D
115-0159-496	Flow Control Cable 12'	275.89 D
115-0171-085	10' Console Cable	352.44 D
115-0171-086	6' Flow Control 6 Boom	368.33 D
115-0171-129	12' Flow Control 6 Boom	398.67 D
NH3 PART#	DESCRIPTION	PRICE
115-0171-800	Flow Cable 12', NH3, One On/Off Valve	382.78 D
115-0171-807	Adapter, Old Flow To New NH3 Control	122.78 D
115-0171-808	Adapter, Old Flow To New NH3 On/Off	122.78 D
115-0159-856	Extension Cable 12'	375.56 D
115-0159-857	Extension Cable 24'	368.33 D

RADAR SPEED SENSOR INTERFACE CABLES

RADAR TYPE	VEHICLE TYPE	CONSOLE W/REV. "E" OR LATER	PRICE "E"
RAVEN	Ford Gen/Vers/New Holland	115-0159-754	176.60 R
	John Deere	115-0159-550	176.60 R
	Case-IH	115-0159-551	296.11 R
Dickey-John/Vansco	Ford Gen/Vers/New Holland	115-0159-709	281.00 R
	**John Deere	115-0159-519	213.78 R
	John Deere 7000/8000/9000 Series	115-0159-700	196.50 R
	**Case-IH	115-0159-517	236.89 R
	Cat Challenger		
	**(Models 65 & 77)	115-0159-518	355.35 R
	(Models 65C & 75C)	115-0159-627	248.50 R
	(Models 65D, 75D & 85D)	115-0159-627	248.50 R
	(Row Crop 35, 45 & 55)	115-0159-627	248.50 R
	**Ford/White/Agco Allison	115-0159-529	226.78 R
Other	115-0159-526	192.11 R	
Magnavox/Phillips	**John Deere	115-0159-519	213.78 R
TRW	Case-IH	115-0159-432	234.36 R

**1990 Model year or later w/factory installed performance monitor.

CenterLine 220

Compact Guidance for any Application

The compact CenterLine 220 is designed to let you profit from GPS lightbar guidance with any field operation. Inside the compact guidance system is a high-quality WAAS/EGNOS GPS receiver and the guidance capabilities that make Mid-Tech the leaders in lightbar guidance.



- * Versatile GPS guidance in a compact portable package
- * LED Lightbar guidance plus a graphical display for complete guidance information
- * High-quality internal GPS engine with external antenna
 - * Simple setup gets you up and running in no time
 - * Straight-line (parallel) and curved AB guidance modes
- * Integrated look-ahead functionality anticipates vehicle's future position
 - * Return to point feature
- * Durable, sealed rubber keypad is easy to see and provides good tactile feedback
- * Provides RADAR-like speed signal for use with other control systems that require a ground speed signal

PART#	DESCRIPTION	PRICE
90-02399	Kit, CenterLine 220, Auto Steering	1,158.73 Y
90-02720	Kit, RXA-30 Antenna w/20'/6m Cable	594.00 Y
90-02721	Kit, RXA-30 Antenna w/30'/9m Cable	639.11 Y

SENTRY 6120



PART#	DESCRIPTION	PRICE
90-02846	Sentry 6120 System w/US Lighter Cable	1,051.89 Y
90-02848	Sentry 6120 System w/Battery Leads	1,057.38 Y
75-30118	Console, Sentry 6120	755.27 Y
404-0045	Extension Cable, 18'/5m	102.91 Y
404-0039	Extension Cable, 25'/8m	113.89 Y



- * *Provides real time operating pressure and corresponding droplet size category feedback for liquid applications*
 - * *Bright backlight adjustable touch screen*
- * *Image-based Tip Series and Tip Capacity settings allow for simple one-touch selection to choose your spray tip*
- * *Tip Capacity selection setting uses ISO color coding as well as text for easy identification and selection*
- * *Low Alarm and High Alarm alert operator when system pressure drops below or rises above the current pressure set point*
 - * *Choose your unit of measurement setting: either US or metric*
 - * *Save up to five spray tips to your "favorites" for quick setting retrieval*



UNIPILOT

PART#	DESCRIPTION	PRICE
91-02400	Kit, UniPilot System w/SCM, ESM and mounting bracket	6,562.60 Y
90-02806	Kit, UniPilot ESM and bracket ONLY	5,267.63 Y

- * *Easy to Use and Even Easier to Install - Simply install a single, universal bracket onto the steering column and mount the UniPilot motor*
- * *Improved Portability for Year-Round Use - UniPilot utilizes a universal mounting kit to fit wide range of vehicles. UniPilot can also be moved between vehicles with minimal effort; allowing you to maximize your investment and utilize it for multiple operations throughout the growing season*
 - * *UniPilot Adapts to Your Field Conditions and Your Location Tilt compensation and gyro-stabilization are standard features that automatically correct side slope positional errors and ensure accuracy in all your field operations*



MACH2 In-Dash Trailer Cam Integration Kit



WIRELESS
\$649.00 Y
 plus
HARNESS KIT
\$119.00 Y

This system allows the user to use Vision Works high quality cameras with your existing tailgate camera and indash monitor. Cameras are equipped with 700 TVL resolution and an IP68 rating. This unique to the industry package is the perfect way to monitor two blind spots on your RV/Trailer.

COMPATIBILITY WIRED		
PART#	MODEL	Years
VWMACH2-WM-F1	Ford F250-F550	2011-2017
VWMACH2-WM-D1	Dodge Ram 2500-3500	2011-2018
VWMACH2-WM-C1	Chevy 1500-3500	2016-2018

COMPATIBILITY WIRELESS		
PART#	MODEL	YEARS
VWMACH2-F1	Ford F250-F550	2011-2016
VWMACH2-F2	Ford F250-F550	2017-2018
VWMACH2-D1	Dodge Ram 2500-3500	2011-2018
VWMACH2-C1	Chevy 1500-3500	2016-2018
VWMACH2 C2	Chevy 1500-3500	2014-2015
VWMACH2-C3	Chevy 1500-3500	2007-2013

5” Portable Monitor Complete Kit



5” Digital LCD monitor with suction cup mount.
License plate cam and 30’ cable.
Great for backing up to trailers with your pick-up truck.

VWIC500-L \$199.00 Y



7" Monitor Complete Kit



VWIC700 \$299.00 Y

WIRED

7" LCD Monitor.
Durable camera w/magnet
Larger screen and two camera inputs



VWIC700-WL \$439.00 Y

WIRELESS

7" LCD Monitor
Wireless Camera
700 TVL Resolution

10" Monitor Complete Kit



VWIC104V2 \$699.00 Y

2 Cameras w/magnets
10" LCD Quad Monitor
700 TVL Resolution
IP 68 Durability Rating



VWIC104V4 \$939.00 Y

4 Cameras w/magnets
10" LCD Quad Monitor
700 TVL Resolution
IP 68 Durability Rating

ALSO AVAILABLE WIRELESS



The AgCam camera system is the most durable, dependable and user friendly camera system available to the agricultural, industrial and public works market today.

SINGLE & DOUBLE CAMERA KITS



- * 3.6mm AHD cameras - 1 Single, 2 Double
- * 7" OR 9" LED Analog High Definition monitor w/4 camera inputs
- * A total of 80' of power/video cable for each camera (1 - 60' & 1 - 20')
- * Remote
- * 12v cigarette lighter power adaptor
- * A/C power adaptor

7" CAMERA KITS

PART# DMAC-H7C1 \$1,065.00 Y

PART# DMAC-H7C2 \$1,645.00 Y

9" CAMERA KITS

PART# DMAC-H9C1 \$1,205.00 Y

PART# DMAC-H9C2 \$1,785.00 Y

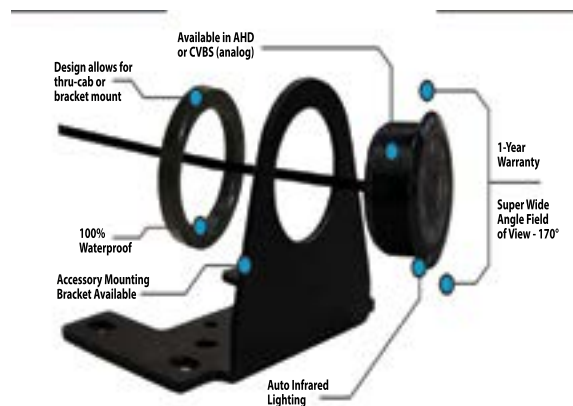
RANCH HAND WIRELESS KIT



PART# DMAC-RHPAIR \$314.00 Y

BOBCAT CAMERA KIT

- * True HD Resolution (720P)
- * 16:9 aspect ratio so image doesn't need to be "stretched" to match monitors
- * Improved color & clarity over standard analog video cameras
- * Increased ability to interpret shadowed areas, allowing for a large viewing area
- * Built-in, high-quality CCD camera with high-performance lighting
- * Auto on IR Lighting
- * Standard camera lens features a 170° wide angle horizontal field of view
- * Kit includes 7" monitor w/bracket, 10' power video



PART# DMRZ-SHC71 \$860.00 Y



SINGLE & DOUBLE CAMERA KITS

As Dakota Micro's entry level camera system, OverView offers quality construction, versatility, and an impressive list of features with an affordable price tag.

- * 2.9mm OverView Camera - 1 Single, 2 Double
- * 7" OverView LED Backlit Monitor - Stand & Remote
- * 20' of power/video cable for each camera
- * 12v cigarette lighter power adaptor



7" CAMERA KITS

PART# DMOV-7M-C1 \$360.20 Y

PART# DMOV-7M-C2 \$508.55 Y

OVERVIEW ALL IN ONE DIGITAL WIRELESS KIT

PART# DMOV-DW7MC2 \$565.99 Y







INCLUDES:

- * OverView 7in DIGITAL Wireless Monitor
- * 2 - OverView Digital Wireless Cameras
- * 12V Cigarette Lighter Power Adaptor
- * 2 - 12V Hardwire Power Adaptor
- * 3 - 5dBi Wireless Antennas





FEATURES:

- * BUILT IN *DIGITAL* WIRELESS ELIMINATES THE NEED FOR EXTRA COMPONENTS
- * UP TO 1/4 MILE RANGE WITH LINE OF SIGHT
- * VIEW CAMERAS ONE AT A TIME OR SIDE BY SIDE
- * CAPABLE OF DISPLAYING 2 DIGITAL WIRELESS CAMERAS
- * BUILT IN INFRARED NIGHT VISION ALLOWS FOR VIEWING UP TO 45+ FEET
- * NOT INTERCHANGEABLE WITH DAKOTA MICRO ANALOG WIRELESS PRODUCTS


HOSE BARBS POLY, STEEL & STAINLESS

POLYPROPYLENE		SCHD 80		STEEL		STAINLESS	
							
PART#	PRICE	PART#	PRICE	PART#	PRICE	PART#	PRICE
HB1814	0.46 S						
HB1838	0.46 S						
FHB1838	1.79 S						
HB14	0.46 S	BHB14	1.54 S	HB14S	4.05 S	HB14SS	6.99 S
FHB14	2.30 S						
HB1438	0.46 S	BHB1438	1.54 S			HB1438SS	6.99 S
FHB1438	2.30 S						
HB1412	0.48 S	BHB1412	1.85 S			HB1412SS	6.99 S
HB3814	0.48 S			HB38S	4.20 S		
FHB3814	2.37 S						
HB38	0.48 S	BHB38	1.67 S			HB38SS	8.54 S
FHB38	2.37 S						
HB3812	0.51 S	BHB3812	1.67 S			HB3812SS	8.54 S
FHB3812	2.37 S						
HB3858	0.50 S						
HB1214	0.50 S	BHB1214	1.39 S				
HB1238	0.55 S	BHB1238	1.67 S				
HB12	0.51 S	BHB12	1.39 S	HB12S	5.10 S	HB12SS	11.23 S
FHB12	2.45 S						
HB1258	0.54 S					HB1258SS	14.16 S
HB1234	0.55 S	BHB1234	1.85 S			HB1234SS	14.16 S
HB12100	1.98 S						
HB3414	0.66 S						
HB3438	0.66 S	BHB3438	1.85 S				
HB3412	0.66 S	BHB3412	1.85 S			HB3412SS	12.42 S
HB3458	0.66 S	BHB3458	2.25 S				
HB34	0.67 S	BHB34	1.53 S	HB34S	6.00 S	HB34SS	12.42 S
FHB34	2.07 S	BFHB34	4.55 S				
HB34100	1.17 S	BHB34100	2.25 S			HB34100SS	20.40 S
		BFHB34100	3.79 S				
HB10034	1.33 S	BHB10034	2.25 S			HB10034SS	22.90 S
HB100	1.43 S	BHB100	1.89 S	HB100S	7.10 S	HB100SS	18.76 S
		BFHB100	3.20 S				
HB100114	1.45 S	BHB100114	2.78 S				
HB11434	1.52 S	BHB11434	2.32 S				
HB114100	1.64 S	BHB114100	2.78 S				
HB114	1.92 S	BHB114	2.78 S	HB114S	9.85 S	HB114SS	25.33 S
HB114112	1.99 S	BHB114112	5.31 S				
		BHB112100	4.16 S				
HB112114	1.91 S	BHB112114	4.16 S				
HB112	2.07 S	BHB112	3.88 S	HB112S	11.50 S	HB112SS	32.86 S
		BHB112200	7.15 S				
		BHB200112	5.96 S				
HB200	3.37 S	BHB200	4.74 S	HB200S	18.25 S	HB200SS	56.03 S
				HB212S	19.25 S		
		BHB300	15.30 S	HB300S	27.95 S	HB300SS	205.44 S
		BHB400	38.48 S				

POLY - HOSE BARB/MENDER ELBOWS

POLYPROPYLENE		SCHD 80		POLYPROPYLENE/SCHD 80		SWEEP	
							
PART#	PRICE	PART#	PRICE	PART#	PRICE	PART#	PRICE
HBE1814	0.82 S						
HBE1838	0.86 S						
HBE14	0.82 S	BHBE14	1.85 S	HME14	0.74 S		
HBE1438	0.82 S	BHBE1438	1.85 S				
FHBE1438	2.15 S						
HBE1412	0.88 S	BHBE1412	1.85 S				
HBE1458	1.42 S						
HBE3814	0.89 S						
HBE38	0.91 S	BHBE38	1.85 S	HME38	0.77 S		
HBE3812	0.91 S						
FHBE3812	1.99 S						
HBE3858	0.94 S						
HBE1214	0.95 S						
HBE1238	0.96 S						
HBE12	0.94 S	BHBE12	1.85 S	HME12	0.79 S		
HBE1258	1.11 S						
HBE1234	1.14 S	BHBE1234	1.85 S				
HBE12100	1.67 S			HME58	0.82 S		
HBE3438	1.16 S						
HBE3414	1.11 S						
HBE3412	1.19 S	BHBE3412	2.33 S				
FHBE3412	1.99 S						
HBE3458	1.22 S						
HBE34	1.25 S	BHBE34	1.94 S	HME34	1.08 S	HB075SW90	13.77 S
FHBE34	1.89 S						
HBE34100	1.36 S	BHBE34100	2.33 S				
HBE10012	1.46 S						
HBE10058	1.56 S						
HBE10034	1.56 S	BHBE10034	2.99 S	BHME100	3.09 S		
HBE100	1.57 S	BHBE100	2.48 S	HME100	1.50 S	HB100SW90	14.08 S
		BHBE100114	3.65 S				
HBE11434	2.85 S						
HBE114100	3.16 S	BHBE114100	3.65 S				
HBE114	3.61 S	BHBE114	3.65 S	HME114	6.26 S	HB125SW90	15.64 S
HBE114112	3.95 S	BHBE114112	10.54 S				
HBE11234	3.10 S						
HBE112114	3.25 S	BHBE112114	10.54 S				
HBE112	3.95 S	BHBE112	8.77 S	HME112	5.99 S	HB150SW90	23.02 S
				BHME200114	15.32 S		
		BHBE200112	11.54 S				
HBE200	5.40 S	BHBE200	9.61 S	HME200	11.69 S	HB200SW90	25.37 S
		BHBE300	46.46 S			HB300SW90	52.53 S

MENDERS, TEES & Y HOSE BARBS - POLY

MENDERS			
POLYPROPYLENE		SCHD 80	
			
PART#	PRICE	PART#	PRICE
HM18	0.38 \$		
HM14	0.48 \$	BHM14	1.43 \$
HM38	0.50 \$	BHM38	1.72 \$
HM1238	0.58 \$		
HM12	0.54 \$	BHM12	1.76 \$
HM58	0.58 \$		
HM5812	0.61 \$		
HM34	0.71 \$	BHM34	1.91 \$
HM100	0.90 \$	BHM100	2.33 \$
HM114	1.97 \$	BHM114	2.62 \$
		BHM112	4.65 \$
		BHM200	5.84 \$
		BHM300	18.27 \$

HOSE BARB TEES			
POLYPROPYLENE		SCHD 80	
			
PART#	PRICE	PART#	PRICE
HBT18	0.65 \$		
HBT14	0.97 \$	BHBT14	2.07 \$
HBT38	0.85 \$	BHBT38	2.07 \$
HBT3812	0.85 \$		
HBT1238	0.85 \$		
HBT12	0.88 \$	BHBT12	3.21 \$
HBT1234	1.30 \$	BHBT1234	3.21 \$
HBT58	1.11 \$		
HBT3412	1.92 \$	BHBT3412	3.21 \$
HBT34	1.10 \$	BHBT34	3.21 \$
		BHBT34100	2.74 \$
		BHBT10034	2.82 \$
HBT100	1.57 \$	BHBT100	3.38 \$
HBT114	2.75 \$	BHBT200	12.88 \$
HBT112	2.95 \$	BHBT300	35.80 \$
HBT200	12.05 \$		

1/4" GAUGE TEE		"Y" HOSE BARB	
			
PART#	PRICE	PART#	PRICE
GTT12	3.95 \$	YHB316	3.51 \$
GTT34	4.54 \$	YHB14	3.02 \$
BGTT34	24.43 \$		
GTT100	9.75 \$	YHB516	2.75 \$
BGTT100	24.43 \$	YHB38	2.54 \$
		YHB12	2.98 \$

MALE THREADED TEE	
	
MTT12	3.55 \$


HOSEBARB x MALE THREAD			
			
PART#	BHBEL150/100-90	PRICE	28.18 \$




HOSEBARB CROSS	
BHBC1234	20.52 \$

MPT x HOSE BARB TEE		FPT x HOSE BARB TEE	
POLYPROPYLENE		POLYPROPYLENE	
			
PART#	PRICE	PART#	PRICE
HBTM14	0.93 \$		
HBTM1438	0.97 \$		
HBTM1412	0.93 \$		
HBTM38	1.00 \$		
HBTM3812	1.02 \$		
HBTM1238	1.08 \$		
HBTM12	1.08 \$		
HBTM1234	1.82 \$		
HBTM3412	1.79 \$		
HBTM34	1.89 \$	HBTF34	3.19 \$
HBTM34100	1.95 \$		
		HBTF34114	3.19 \$
BHBTM100	9.36 \$		
BHBTM112100	23.50 \$		
BHBTM112	45.01 \$		

POLY - BUSHINGS & NIPPLES

CLOSE & REDUCING NIPPLES			
POLYPROPYLENE		SCHD 80	
			
PART#	PRICE	PART#	PRICE
CN18	.46 \$		
CN14	.45 \$	BCN14	1.63 \$
CN38	.50 \$	BCN38	1.63 \$
CN12	.52 \$	BCN12	1.84 \$
CN34	.67 \$	BCN34	1.57 \$
CN100	1.10 \$	BCN100	2.24 \$
CN114	2.17 \$	BCN114	2.71 \$
CN112	3.38 \$	BCN112	4.15 \$
CN200	3.95 \$	BCN200	4.70 \$
		BCN300	14.73 \$
		BCN400	27.51 \$
RCN1418	.48 \$		
RCN3818	.49 \$		
RCN3814	.49 \$		
RCN1218	.53 \$		
RCN1214	.53 \$		
RCN1238	.60 \$	BRCN1238	2.75 \$
RCN3438	.60 \$		
RCN3412	.59 \$	BRCN3412	2.95 \$
		BRCN10012	3.81 \$
		BRCN10034	3.46 \$
		BRCN11434	4.00 \$
		BRCN114100	3.62 \$
		BRCN112100	4.28 \$
		BRCN112114	3.86 \$
		BRCN200114	5.25 \$
		BRCN200112	4.26 \$
		BRCN300200	14.67 \$

REDUCER BUSHINGS			
POLYPROPYLENE		SCHD 80	
			
PART#	PRICE	PART#	PRICE
RB3818	1.34 \$		
RB3814	1.22 \$	BRB3814	3.62 \$
RB1214	1.39 \$	BRB1214	3.02 \$
RB1238	1.22 \$	BRB1238	3.62 \$
RB3418	1.39 \$		
RB3414	1.51 \$	BRB3414	3.62 \$
RB3438	1.51 \$	BRB3438	3.62 \$
RB3412	1.51 \$	BRB3412	3.62 \$
		BRB10014	3.86 \$
RB10012	1.81 \$	BRB10012	3.86 \$
RB10034	1.41 \$	BRB10034	3.20 \$
		BRB11438	3.20 \$
RB11434	3.46 \$	BRB11434	3.86 \$
RB114100	3.46 \$	BRB114100	3.86 \$
RB11234	3.67 \$	BRB11234	5.10 \$
RB112100	3.65 \$	BRB112100	5.10 \$
RB112114	7.12 \$	BRB112114	5.10 \$
RB20034	5.75 \$	BRB20034	4.61 \$
RB200100	4.08 \$	BRB200100	4.61 \$
RB200114	4.39 \$	BRB200114	5.55 \$
RB200112	4.09 \$	BRB200112	4.61 \$
		BRB300112	23.10 \$
		BRB300200	19.25 \$
		BRB400300	35.81 \$

PIPE SIZE COMPARISON		
PART# CONTAINS	PIPE SIZE	APPROX. INCHES OUTSIDE
18	1/8"	1/4"
14	1/4"	1/2"
38	3/8"	5/8"
12	1/2"	3/4"
34	3/4"	1"
100	1"	1-1/4"
114	1-1/4"	1-5/8"
112	1-1/2"	2"
200	2"	2-3/8"
300	3"	3-1/2"
400	4"	4-1/2"

POLY - CAPS, PLUGS, COUPLERS CROSSES & TEES

PLUGS			
POLYPROPYLENE		SCHD 80	
			
PART#	PRICE	PART#	PRICE
PL18	.40 \$		
PL14	.43 \$	BPL14	3.82 \$
PL38	.48 \$	BPL38	3.82 \$
PL12	.51 \$	BPL12	3.86 \$
PL34	.57 \$	BPL34	3.86 \$
PL100	.78 \$	BPL100	3.86 \$
PL114	1.48 \$	BPL114	5.06 \$
PL112	1.65 \$	BPL112	5.06 \$
PL200	2.14 \$	BPL200	5.11 \$
		BPL300	24.18 \$



THREADED TEES & CROSSES			
POLYPROPYLENE		SCHD 80	
			
PART#	PRICE	PART#	PRICE
TT14C	3.75 \$		
TT14	3.72 \$	BTT14	5.18 \$
		BTT38	5.36 \$
TT12	4.04 \$	BTT12	4.70 \$
TT34	5.03 \$	BTT34	5.04 \$
		BTT100	7.26 \$
		BTT114	10.05 \$
TT112	10.30 \$	BTT112	12.02 \$
		BTT200	14.97 \$
		BTT300	71.32 \$
CROSSES			
		BCR14	14.49 \$
		BCR38	15.91 \$
		BCR12	24.64 \$
		BCR34	24.64 \$
		BCR100	24.64 \$
		BCR114	36.73 \$
		BCR112	36.73 \$
		BCR200	37.47 \$

CAPS			
POLYPROPYLENE		SCHD 80	
			
PART#	PRICE	PART#	PRICE
CAP14	.48 \$	BCAP14	2.77 \$
CAP12	.54 \$	BCAP12	7.45 \$
CAP38	.54 \$	BCAP38	2.96 \$
CAP34	.58 \$	BCAP34	7.45 \$
		BCAP100	6.21 \$
		BCAP114	8.36 \$
		BCAP112	10.54 \$
		BCAP200	12.21 \$
		BCAP300	43.74 \$

POLYPROPYLENE			
POLYPROPYLENE		SCHD 80	
			
PART#	PRICE	PART#	PRICE
CP18	3.92 \$		
CP14	4.44 \$	BCP14	4.93 \$
CP38	3.07 \$	BCP38	5.54 \$
CP12	3.07 \$	BCP12	5.54 \$
CP34	3.59 \$	BCP34	5.54 \$
CP100	4.09 \$	BCP100	5.25 \$
CP114	3.46 \$	BCP114	8.51 \$
CP112	4.06 \$	BCP112	11.78 \$
CP200	4.52 \$	BCP200	13.45 \$
		BCP300	38.05 \$
RCP1438	3.15 \$		
RCP1238	3.15 \$		
RCP3438	3.15 \$		
RCP3412	3.15 \$		
		BRCP10034	8.21 \$
		BRCP112100	13.94 \$
		BRCP112114	13.94 \$
		BRCP20012	14.82 \$
		BRCP200100	12.35 \$
		BRCP200114	14.82 \$
		BRCP200112	12.35 \$
		BRCP300200	43.84 \$

POLY - ELBOWS & NIPPLES

STREET ELBOWS 90°			
POLYPROPYLENE		SCHD 80	
			
PART#	PRICE	PART#	PRICE
SE14	2.00 S	BSE14	3.97 S
SE38	1.95 S	BSE38	4.66 S
SE12	2.12 S	BSE12	4.24 S
SE34	3.02 S	BSE34	4.52 S
		BSE100	5.36 S
		BSE114	7.36 S
SE112	8.52 S	BSE112	10.43 S
		BSE200	12.38 S
		BSE300	63.03 S
THREADED ELBOWS 90°			
POLYPROPYLENE		SCHD 80	
			
PART#	PRICE	PART#	PRICE
TE14	3.98 S	BTE14	3.97 S
		BTE38	5.37 S
TE12	3.98 S	BTE12	4.85 S
TE34	3.98 S	BTE34	4.39 S
		BTE100	5.16 S
		BTE114	7.74 S
		BTE112	12.14 S
		BTE200	12.02 S
		BTE300	61.12 S
THREADED ELBOW 45°			
POLYPROPYLENE		SCHD 80	
			
PART#	PRICE	PART#	PRICE
		BTE100-45	16.70 S

STREET ELBOWS 45°			
POLYPROPYLENE		SCHD 80	
			
PART#	PRICE	PART#	PRICE
SE14-45	2.95 S		
SE34-45	3.75 S	BSE34-45	8.74 S
		BSE100-45	11.74 S
		BSE114-45	14.54 S
		BSE112-45	15.52 S
		BSE200-45	16.72 S
		BSE300-45	69.72 S
PIPE NIPPLES			
PVC		SCHD 80	
			
DESCRIPTION	PART#	PRICE	
1/2" PIPE x 3" LONG	BN12-3	3.48 S	
1/2" PIPE x 12" L PVC	BN12-12	4.95 S	
3/4" PIPE x 4" LONG	BN34-4	3.62 S	
3/4" PIPE x 6" LONG	BN34-6	4.25 S	
1" PIPE x 4" LONG	BN100-4	3.86 S	
1" PIPE x 6" LONG	BN100-6	4.78 S	
1" PIPE x 12" L PVC	BN100-12	7.95 S	
1-1/4" PIPE x 4" LONG	BN114-4	4.78 S	
1-1/4" PIPE X 6" LONG	BN114-6	5.44 S	
1-1/2" PIPE x 3" LONG	BN112-3	6.14 S	
1-1/2" PIPE x 4" LONG	BN112-4	10.23 S	
1-1/2" PIPE x 5" LONG	BN112-5	11.45 S	
1-1/2" PIPE x 6" LONG	BN112-6	12.04 S	
2" PIPE x 4" LONG	BN200-4	9.90 S	
2" PIPE x 6" LONG	BN200-6	11.56 S	
2" PIPE x 12" L PVC	BN200-12	9.45 S	
3" PIPE x 4" LONG	BN300-4	22.12 S	
3" PIPE x 6" LONG	BN300-6	28.54 S	

GARDEN HOSE FITTINGS



GARDEN HOSE FITTINGS		
PART#	DESCRIPTION	PRICE
GHFT075A	3/4" Adapter x 3/4" Garden Hose Female Thread	6.52 S
GHMT075B	3/4" Coupler x 3/4" Garden Hose Male Thread	13.78 S
GHFT075D	3/4" Coupler x 3/4" Garden Hose Female Thread	13.78 S
GHMT075F	3/4" Adapter x 3/4" Garden Hose Male Thread	6.52 S
GHFT075MPT	3/4" Male NPT x 3/4" Garden Hose Female Thread	3.03 S
GHMT075FPT	3/4" Female NPT x 3/4" Garden Hose Male Thread	3.03 S
GHMT075MPT	3/4" Male NPT x 3/4" Garden Hose Male Thread	6.52 S



WASHERS		
PART#		PRICE
GW107	Filter Washer	0.48 S
GW300	Sta-Put Washer	0.11 S



VALVES		
PART#		PRICE
GLA3	Shut-off	3.81 S
GLA23	"Y"	3.96 S



FEMALE GARDEN HOSE X MPT		
SIZE	PART#	PRICE
3/4"	GMP34	2.10 S



SWIVEL NUT MPT		
SIZE	PART#	PRICE
3/4"	SN34	1.15 S
1"	SN100	3.25 S



MALE GARDEN HOSE X BARB		
SIZE	PART#	PRICE
1/4"	GHB14	0.95 S
3/8"	GHB38	0.81 S
1/2"	GHB12	0.81 S
5/8"	GHB58	0.81 S
3/4"	GHB34	0.81 S



FEMALE GH X MALE GH		
SIZE	PART#	PRICE
3/4"	GMP34	2.10 S



MALE GARDEN HOSE X MPT		
SIZE	PART#	PRICE
3/8"	GMM38	.77 S
1/2"	GMM12	.77 S
3/4"	GMM34	.92 S



FEMALE GH END CAP		
SIZE	PART#	PRICE
3/4"	GEC34	0.79 S



MALE GARDEN HOSE X FPT		
SIZE	PART#	PRICE
1/4"	GFP14	2.10 S
1/2"	GFP12	2.12 S
3/4"	GFP34	2.10 S



HOSE SHANK		
SIZE	PART#	PRICE
1/4"	HS14	.48 S
3/8"	HS38	.50 S
1/2"	HS12	.51 S
5/8"	HS58	.51 S
3/4"	HS34	.51 S
1"	HS100	1.06 S



FEMALE GARDEN HOSE X FPT		
SIZE	PART#	PRICE
1/2"	GFF12	2.10 S



FEMALE GH SWIVEL NUT		
SIZE	PART#	PRICE
3/4"	GSN34	.71 S



STEEL & STAINLESS BUSHINGS & COUPLERS

BRASS FITTINGS ALSO AVAILABLE

REDUCER BUSHINGS					
STEEL SCHD 40		STEEL SCHD 80		STAINLESS	
					
PART#	PRICE	PART#	PRICE	PART#	PRICE
RB3814S	1.95 \$	RB3814HS	3.95 \$	RB3814SS	3.35 \$
RB1214S	2.75 \$	RB1214HS	3.95 \$	RB1214SS	3.35 \$
RB1238S	2.75 \$	RB1238HS	3.95 \$	RB1238SS	3.35 \$
				RB3418SS	4.25 \$
RB3414S	3.75 \$	RB3414HS	4.95 \$	RB3414SS	4.25 \$
RB3438S	3.75 \$	RB3438HS	4.95 \$		
RB3412S	3.75 \$	RB3412HS	4.95 \$	RB3412SS	4.25 \$
RB10012S	4.70 \$	RB10012HS	7.95 \$	RB10012SS	6.90 \$
RB10034S	4.70 \$	RB10034HS	7.95 \$	RB10034SS	6.90 \$
		RB11434HS	13.95 \$	RB11434SS	11.95 \$
RB114100S	6.75 \$	RB114100HS	13.95 \$	RB114100SS	11.95 \$
RB112100S	7.70 \$	RB112100HS	15.50 \$		
RB112114S	7.50 \$	RB112114HS	15.50 \$		
RB200100S	10.50 \$	RB200100HS	23.50 \$	RB200100SS	20.25 \$
RB200112S	10.95 \$	RB200112HS	23.50 \$	RB200112SS	20.25 \$
RB212200S	18.75 \$				
RB300112S	19.25 \$				
RB300200S	19.75 \$	RB300200HS	98.50 \$	RB300200SS	43.50 \$
RB400300S	27.50 \$				

COUPLERS				REDUCER COUPLER			
STEEL SCHD 40		STEEL SCHD 80		STAINLESS		STEEL	
							
PART#	PRICE	PART#	PRICE	PART#	PRICE	PART#	PRICE
CP14S	3.95 \$	CP14HS	8.50 \$	CP14SS	2.55 \$	RCP1418S	4.75 \$
CP38S	3.95 \$	CP38HS	9.50 \$	CP38SS	3.10 \$	RCP1214S	4.75 \$
CP12S	3.95 \$	CP12HS	9.50 \$	CP12SS	4.85 \$	RCP3412S	4.50 \$
CP34S	4.25 \$	CP34HS	9.98 \$	CP34SS	6.35 \$	RCP10034S	4.55 \$
CP100S	6.50 \$	CP100HS	12.10 \$	CP100SS	12.30 \$	RCP114100S	6.25 \$
CP114S	9.55 \$	CP114HS	19.75 \$	CP114SS	15.75 \$	RCP112100S	8.50 \$
CP112S	12.05 \$	CP112HS	25.50 \$	CP112SS	20.50 \$	RCP200114S	23.00 \$
CP200S	15.50 \$	CP200HS	29.75 \$	CP200SS	35.75 \$	RCP200112S	27.75 \$
CP300S	69.50 \$	CP300HS	150.00 \$	CP300SS	92.50 \$	RCP212112S	28.50 \$

STEEL & STAINLESS STREET & THREADED ELBOWS BRASS FITTINGS ALSO AVAILABLE



STREET ELBOWS 90°					
STEEL SCHD 40		STEEL SCHD 80		STAINLESS	
					
PART#	PRICE	PART#	PRICE	PART#	PRICE
SE14S	3.95 \$	SE14HS	25.75 \$	SE14SS	5.06 \$
SE38S	3.95 \$	SE38HS	25.75 \$	SE38SS	5.75 \$
SE12S	3.95 \$	SE12HS	25.75 \$	SE12SS	7.85 \$
SE34S	4.15 \$	SE34HS	29.50 \$	SE34SS	10.60 \$
SE100S	6.15 \$	SE100HS	38.50 \$	SE100SS	16.50 \$
SE114S	11.50 \$	SE114HS	72.50 \$	SE114SS	25.50 \$
SE112S	11.50 \$	SE112HS	75.00 \$	SE112SS	28.50 \$
SE200S	18.50 \$	SE200HS	125.00 \$	SE200SS	47.70 \$
SE300S	85.00 \$	SE300HS	395.00 \$	SE300SS	106.40 \$

THREADED ELBOWS 90°					
STEEL SCHD 40		STEEL SCHD 80		STAINLESS	
					
PART#	PRICE	PART#	PRICE	PART#	PRICE
TE14S	3.95 \$	TE14HS	12.50 \$	TE14SS	2.95 \$
TE38S	3.95 \$	TE38HS	12.50 \$	TE38SS	4.50 \$
TE12S	2.75 \$	TE12HS	12.00 \$	TE12SS	5.80 \$
TE34S	3.75 \$	TE34HS	12.50 \$	TE34SS	7.99 \$
TE100S	5.65 \$	TE100HS	17.25 \$	TE100SS	8.50 \$
TE114S	9.65 \$	TE114HS	32.25 \$	TE114SS	14.25 \$
TE112S	12.95 \$	TE112HS	41.50 \$	TE112SS	16.85 \$
TE200S	23.00 \$	TE200HS	52.75 \$	TE200SS	25.75 \$
TE300S	68.50 \$	TE300HS	225.00 \$	TE300SS	79.75 \$

PIPE SIZE COMPARISON		
PART# CONTAINS	PIPE SIZE	APPROX. INCHES OUTSIDE
18	1/8"	1/4"
14	1/4"	1/2"
38	3/8"	5/8"
12	1/2"	3/4"
34	3/4"	1"
100	1"	1-1/4"
114	1-1/4"	1-5/8"
112	1-1/2"	2"
200	2"	2-3/8"
300	3"	3-1/2"
400	4"	4-1/2"

STEEL & STAINLESS NIPPLES, UNIONS & CROSSES

BRASS FITTINGS ALSO AVAILABLE



PIPE NIPPLE					
STEEL SCHD 40		STEEL SCHD 80		STAINLESS	
					
PART#	PRICE	PART#	PRICE	PART#	PRICE
CN14S	1.90 \$	CN14HS	9.95 \$	CN14SS	2.10 \$
CN38S	1.90 \$	CN38HS	10.75 \$	CN38SS	2.35 \$
CN12S	1.90 \$	CN12HS	5.70 \$	CN12SS	3.50 \$
				CN12-2SS	5.25 \$
				CN12-212SS	5.35 \$
				CN12-3SS	5.05 \$
				CN12-4SS	5.25 \$
CN34S	2.10 \$	CN34HS	6.15 \$	CN34SS	5.15 \$
				CN34-2SS	6.35 \$
CN34S-3	2.20 \$				
CN100S	3.50 \$	CN100HS	8.75 \$	CN100SS	5.25 \$
CN100S-212	2.80 \$				
CN100S-3	2.80 \$			CN100-3SS	8.50 \$
CN100S-4	3.20 \$				
CN100S-6	4.15 \$				
CN114S	3.75 \$	CN114HS	10.95 \$	CN114SS	7.95 \$
CN112S	3.95 \$	CN112HS	13.10 \$	CN112SS	8.95 \$
CN200S	4.25 \$	CN200HS	15.95 \$	CN200SS	15.75 \$
CN300S	31.00 \$	CN300HS	66.00 \$	CN300SS	32.00 \$

UNIONS					
STEEL		STEEL SCHD 80		STAINLESS	
					
PART#	PRICE	PART#	PRICE	PART#	PRICE
UN14S	13.95 \$	UN14HS	22.50 \$	UN14SS	12.50 \$
UN38S	10.95 \$	UN38HS	22.50 \$	UN38SS	12.75 \$
UN12S	10.95 \$	UN12HS	22.50 \$	UN12SS	13.00 \$
UN34S	19.95 \$	UN34HS	23.50 \$	UN34SS	15.50 \$
UN100S	27.95 \$	UN100HS	34.50 \$	UN100SS	36.50 \$
UN114S	39.95 \$	UN114HS	52.51 \$	UN114SS	43.75 \$
UN112S	51.75 \$	UN112HS	63.50 \$	UN112SS	43.75 \$
UN200S	72.00 \$	UN200HS	89.00 \$	UN200SS	52.75 \$
UN300S	115.00 \$	UN300HS	235.00 \$	UN300SS	143.50 \$

CROSSES			
STEEL		STAINLESS	
			
PART#	PRICE	PART#	PRICE
CR14S	11.95 \$	CR14SS	9.75 \$
CR38S	11.95 \$	CR38SS	12.75 \$
CR12S	17.25 \$	CR12SS	13.00 \$
CR34S	16.50 \$	CR34SS	17.50 \$
CR100S	19.95 \$	CR100SS	24.75 \$
CR114S	33.00 \$	CR114SS	37.00 \$
CR112S	50.00 \$	CR112SS	44.75 \$
CR200S	63.00 \$	CR200SS	59.00 \$
CR300S	180.00 \$	CR300SS	185.00 \$

STEEL & STAINLESS TEES, PLUGS & CAPS

BRASS FITTINGS ALSO AVAILABLE

TEES					
STEEL		STEEL SCHD 80		STAINLESS	
					
PART#	PRICE	PART#	PRICE	PART#	PRICE
TT14S	4.25 \$	TT14HS	15.75 \$	TT14SS	5.75 \$
TT38S	4.25 \$	TT38HS	15.75 \$	TT38SS	6.25 \$
TT12S	3.95 \$	TT12HS	13.25 \$	TT12SS	9.95 \$
TT34S	3.95 \$	TT34HS	18.50 \$	TT34SS	14.75 \$
TT100S	6.50 \$	TT100HS	21.15 \$	TT100SS	19.95 \$
TT114S	11.15 \$	TT114HS	42.50 \$	TT114SS	35.50 \$
TT112S	11.50 \$	TT112HS	54.50 \$	TT112SS	44.75 \$
TT200S	25.20 \$	TT200HS	69.50 \$	TT200SS	59.50 \$
TT300S	49.50 \$	TT300HS	325.00 \$	TT300SS	129.50 \$

HOLLOW STEEL		PLUGS SCHD 80		STAINLESS		CAPS STAINLESS	
							
PART#	PRICE	PART#	PRICE	PART#	PRICE	PART#	PRICE
PL14S	1.95 \$	PL14HS	1.15 \$	PL14SS	2.75 \$	C14SS	3.15 \$
PL38S	2.30 \$	PL38HS	1.25 \$	PL38SS	3.30 \$	C38SS	3.10 \$
PL12S	2.90 \$	PL12HS	1.95 \$	PL12SS	4.25 \$	C12SS	4.95 \$
PL34S	2.30 \$	PL34HS	4.25 \$	PL34SS	4.50 \$	C34SS	5.65 \$
PL100S	2.15 \$	PL100HS	7.60 \$	PL100SS	5.75 \$	C100SS	7.25 \$
PL114S	3.35 \$	PL114HS	12.25 \$	PL114SS	11.75 \$	C114SS	14.00 \$
PL112S	6.95 \$	PL112HS	17.50 \$	PL112SS	12.50 \$	C112SS	18.50 \$
PL200S	11.50 \$	PL200HS	22.50 \$	PL200SS	14.50 \$	C200SS	24.75 \$
PL300S	12.50 \$	PL300HS	95.00 \$	PL300SS	34.00 \$	C300SS	48.50 \$

THREAD SEALANT, TAPE & LIQUID



PART#	DESCRIPTION	PRICE
LT2	PTFE 2oz TUBE	13.05 \$
LT4	PTFE 1/4 PINT	27.50 \$
TTAPE	TEFLON TAPE 1/2" x 520"	1.50 \$
TTAPEW	TEFLON TAPE 3/4" x 520"	2.95 \$
RE31780	TRU BLUE 2oz TUBE	11.12 Y
RE31551	TRU BLUE PINT	33.83 Y

PART#	DESCRIPTION	PRICE
RE25790	RECTORSEAL #5 TUBE	7.95 R
RE25631	RECTORSEAL #5 1/4 PINT	14.95 R
RE25551	RECTORSEAL #5 1/2 PINT	21.50 R
RE25431	RECTORSEAL #5 PINT	29.50 R
RE28651	RECTORSEAL #21 1/2 PINT	24.95 R
RE28541	RECTORSEAL #21 PINT	39.50 R

CAM LEVER COUPLERS ALUMINUM



"A" MALE ADAPTER		
SIZE	PART#	PRICE
1-1/2"	A112A	7.50 S
2"	A2A	8.75 S
2-1/2"	A212A	14.50 S
3"	A3A	16.89 S
4"	A4A	24.60 S
6"	A6A	46.38 S



"B" FEMALE COUPLER		
SIZE	PART#	PRICE
1-1/2"	A112B	16.98 S
2"	A2B	20.85 S
2-1/2"	A212B	30.49 S
3"	A3B	34.85 S
4"	A4B	36.95 S
6"	A6B	76.80 S



"C" FEMALE COUPLER		
SIZE	PART#	PRICE
1-1/2"	A112C	16.95 S
2"	A2C	21.45 S
2-1/2"	A212C	31.65 S
3"	A3C	35.95 S
4"	A4C	39.10 S
6"	A6C	104.15 S



"D" FEMALE ADAPTER		
SIZE	PART#	PRICE
1-1/2"	A112D	18.05 S
2"	A2D	20.40 S
2-1/2"	A212D	33.85 S
3"	A3D	35.75 S
4"	A4D	41.15 S
6"	A6D	100.40 S



"DC" DUST CAP		
SIZE	PART#	PRICE
1-1/2"	A112DC	17.95 S
2"	A2DC	19.20 S
2-1/2"	A212DC	30.75 S
3"	A3DC	32.75 S
4"	A4DC	35.85 S
6"	A6DC	75.80 S



"DP" DUST PLUG		
SIZE	PART#	PRICE
1-1/2"	A112DP	7.25 S
2"	A2DP	7.50 S
2-1/2"	A212DP	13.85 S
3"	A3DP	14.65 S
4"	A4DP	18.98 S
6"	A6DP	44.95 S



"E" MALE ADAPTER		
SIZE	PART#	PRICE
1-1/2"	A112E	9.60 S
2"	A2E	10.70 S
2-1/2"	A212E	21.30 S
3"	A3E	22.75 S
4"	A4E	30.65 S
6"	A6E	76.30 S



"F" MALE ADAPTER		
SIZE	PART#	PRICE
1-1/2"	A112F	8.70 S
2"	A2F	10.80 S
2-1/2"	A212F	25.34 S
3"	A3F	25.35 S
4"	A4F	27.75 S
6"	A6F	65.95 S

CAM LEVER COUPLERS - POLY



MALE ADAPTER X FPT "A"		
PART #	DESCRIPTION	PRICE
B12A	3/4" x 1/2" FPT	7.12 \$
B34A14	3/4" x 1/4" FPT	7.12 \$
B34A	3/4"	5.94 \$
B100A	1"	5.94 \$
B100A114	1" x 1-1/4" FPT	5.94 \$
B114A	1-1/2" x 1-1/4" FPT	8.10 \$
B112A	1-1/2"	6.74 \$
B200A	2"	7.95 \$
300200A	2" x 3" FPT	9.58 \$
B300A	3"	19.21 \$
B400A	4"	35.16 \$



FEMALE COUPLER X MPT "B"		
PART #	DESCRIPTION	PRICE
B12B	3/4" x 1/2" MPT	16.29 \$
B34B	3/4"	13.58 \$
B100B	1"	15.60 \$
B100B114	1" X 1-1/4" MPT	15.60 \$
B114B	1-1/2" x 1-1/4" MPT	21.95 \$
B112B	1-1/2"	18.29 \$
B200B	2"	22.27 \$
201B	2" Extended Thread	22.27 \$
B300B	3"	37.42 \$
303B	3" Extended Thread	48.00 \$
B400B	4"	88.98 \$



FEMALE COUPLER X BARB "C"		
PART #	DESCRIPTION	PRICE
B12C	3/4" x 1/2" HS	13.58 \$
B34C	3/4"	13.58 \$
B100C	1"	15.60 \$
B100C114	1" X 1-1/4" HS	15.60 \$
B114C	1-1/2" x 1-1/4" HS	21.98 \$
B112C	1-1/2"	18.29 \$
B200C112	2" X 1-1/2" HS	25.27 \$
B200C	2"	22.27 \$
B300C	3"	37.42 \$
303C	3" w/3 Arms	48.00 \$
B400C	4"	74.16 \$



MALE ADAPTER X FPT "90A"		
PART #	DESCRIPTION	PRICE
150A90	1-1/2"	12.76 \$
200A90	2"	14.56 \$



FEMALE COUPLER X MPT "90B"		
PART#	DESCRIPTION	PRICE
200B90	2"	32.61 \$



FEMALE COUPLER X BARB "90C"		
PART #	DESCRIPTION	PRICE
150C90	1-1/2"	26.29 \$
200C90	2"	27.16 \$



CAP "DC"		
PART #	DESCRIPTION	PRICE
B12CAP	3/4"	13.58 \$
B34CAP	3/4"	13.58 \$
B100CAP	1"	14.98 \$
B114CAP	1/2"	18.29 \$
B112CAP	1-1/2"	18.29 \$
B200CAP	2"	22.27 \$
B300CAP	3"	37.42 \$
B400CAP	4"	54.08 \$



PLUG "DP"		
PART #	DESCRIPTION	PRICE
B12PL	3/4"	6.42 \$
B34PL	3/4"	6.42 \$
B100PL	1" & 1-1/4"	6.16 \$
B112PL	1-1/2"	8.27 \$
B200PL	2"	9.31 \$
B300PL	3"	19.51 \$
B400PL	4"	27.63 \$
PLUG w/HANDLE		
200PLH	2"	17.10 \$
300PLH	3"	26.10 \$

FEMALE COUPLER X MALE ADAPTER		
PART #	DESCRIPTION	PRICE
303B200A	3" X 2"	66.84 \$

CAM LEVER COUPLERS - POLY



FEMALE COUPLER X FPT "D"		
PART #	DESCRIPTION	PRICE
B12D	3/4" x 1/2" FPT	13.58 S
B34D	3/4"	13.58 S
B100D	1"	15.60 S
B100D114	1" X 1-1/4" FPT	15.60 S
B114D	1-1/2" x 1-1/4" FPT	21.95 S
B112D	1-1/2"	18.29 S
B200D	2"	22.27 S
300200D	3" x 2" FPT	33.72 S
B300D	3"	37.42 S
B400D	4"	74.16 S



FEMALE COUPLER X FPT "90D"		
PART #	DESCRIPTION	PRICE
150D90	1-1/2"	26.29 S
200D90	2"	27.16 S



MALE ADAPTER X BARB "E"		
PART #	DESCRIPTION	PRICE
B12E	3/4" x 1/2" HS	6.42 S
B34E	3/4"	6.42 S
B100E	1"	7.13 S
B100E114	1" X 1-1/4" HS	7.13 S
B114E	1-1/2" x 1-1/4" HS	8.58 S
B112E	1-1/2"	7.15 S
B200E	2"	9.38 S
B300E	3"	24.61 S
B400E	4"	35.16 S



MALE ADAPTER X MPT "F"		
PART #	DESCRIPTION	PRICE
B12F	3/4" x 1/2" MPT	6.42 S
B34F	3/4"	6.42 S
B100F	1"	7.13 S
B100F114	1" X 1-1/4" MPT	7.13 S
B114F	1-1/2" x 1-1/4" MPT	8.58 S
B112F	1-1/2"	7.15 S
B200F	2"	9.38 S
B300F	3"	24.68 S
300200F	2" x 3" MPT	9.58 S
B400F	4"	35.16 S



MALE ADAPTER X MPT "45F"		
PART #	DESCRIPTION	PRICE
200F45	2"	25.69 S



MALE ADAPTER X MPT "90F"		
PART #	DESCRIPTION	PRICE
150F90	1-1/2"	15.29 S
200F90	2"	13.67 S



SPOOL ADAPTER		
PART #	DESCRIPTION	PRICE
200FF	2"	24.48 S
300F200F	3" X 2"	58.81 S
300FF	3"	58.81 S

CAM LEVER PARTS		
PART #	GASKET	PRICE
034G	3/4" EPDM	1.07 S
100G	1" EPDM	1.07 S
100GV	1" VITON	12.33 S
150G	1-1/2" EPDM	1.14 S
150GV	1-1/2" VITON	12.83 S
150GXT	1-1/2" EPDM Thick	2.05 S
200G	2" EPDM	1.20 S
200GV	2" VITON	19.86 S
200GXT	2" EPDM Thick	2.54 S
300G	3" EPDM	1.64 S
300GV	3" VITON	27.26 S
300GXT	3" EPDM Thick	3.39 S
400G	4" EPDM	3.87 S
400GV	4" VITON	42.85 S

CAM ARM w/RING		
PART #	DESCRIPTION	PRICE
100K	1" & 1-1/4"	4.46 S
150(200)K	1-1/2" & 2"	6.03 S
300K	3"	8.54 S

PINS & RINGS		
PART #	DESCRIPTION	PRICE
75P	1/2" & 3/4"	1.10 S
100P	1" & 1-1/4"	1.10 S
200P	1-1/2" & 2"	1.14 S
300P	3" & 4"	2.39 S
100RING	1/2", 3/4", 1" & 1-1/4"	1.10 S
150RING	1-1/2", 2" & 3"	1.10 S

SHIMS		
PART #	DESCRIPTION	PRICE
034S	1/2" & 3/4"	1.03 S
100S	1"	1.03 S
112S	1-1/4" & 1-1/2"	2.03 S
200S	2"	1.00 S
300S	3"	1.71 S

LANYARD		
PART #	DESCRIPTION	PRICE
V20207	11" Lanyard	3.01 S



90° SWEEP MALE ADAPTER X MPT		
PART #	PART #	PRICE
200FSW90	2"	25.37 S
300FSW90	3"	52.53 S

MANIFOLD FITTINGS



FLANGED COUPLER / COUPLER W/PORT		
SIZE	PART#	PRICE
1" X 1"	M100CPG	6.22 \$
2" X 2"	M200CPG	14.87 \$
2" X 2"FP	M220CPG	16.71 \$
2" X 2"FP X 3" w/port	M220CPG3G	43.12 \$
2" X 2"FP X 6"	M220CPG6	23.49 \$
3" X 3"FP	M300CPG	19.70 \$
3" X 3"FP X 7"	M300CPG7	23.22 \$
3" X 3"FP X 12"	M300CPG12	120.41 \$



FLANGE X FEMALE QDC		
SIZE	PART#	PRICE
2"FP	M220D	25.52 \$
3"FP	M303D	48.92 \$



FLANGE X MALE THREAD		
SIZE	PART#	PRICE
1" X 3/4"	M100075MPT	2.91 \$
1" X 1"	M100MPT	2.91 \$
1" X 1-1/4"	M100125MPT	2.91 \$
2" X 1-1/4"	M200125MPT	5.49 \$
2" X 1-1/2"	M200150MPT	5.49 \$
2" X 2"	M200MPT	5.49 \$
2"FP X 2"	M220MPT	5.49 \$
3" X 3"	M300MPT	15.26 \$



FLANGED TEE		
SIZE	PART#	PRICE
1"	M100TEE	7.98 \$
1" LONG	M101TEE	7.98 \$
2" X 1"	M200100TEE	16.09 \$
2"	M200TEE	15.26 \$
2"FP X 1"	M220100TEE	16.99 \$
2"FP X 2"	M220200TEE	26.29 \$
2"FP	M220TEE	15.26 \$
3"	M300TEE	71.96 \$



PLUG W & W/O GAUGE PORT		
SIZE	PART#	PRICE
1"	M100PLG	2.91 \$
2"	M200PLG	5.49 \$
2"FP	M220PLG	6.96 \$
3"	M300PLG	18.58 \$
1" W-1/4"	M100PLG025	12.86 \$
1" W-1/2"	M100PLG050	14.15 \$
2" W-1/4"	M200PLG025	16.63 \$
2" W-3/8"	M200PLG038	18.19 \$
2" W-1/2"	M200PLG050	16.63 \$
2" W-3/4"	M200PLG075	16.63 \$
2" W-1"	M200PLG100	16.63 \$
2"FP W-3/8"	M220PLG038	27.86 \$
2"FP W-3/4"	M220PLG075	25.33 \$
3" W-3/4"	M300PLG075	30.06 \$
3" W-1"	M300PLG100	30.99 \$



45° FLANGED COUPLING		
SIZE	PART#	PRICE
1" X 1"	M100CPG45	12.89 \$
2" X 2"	M200CGP45	15.21 \$
2" X 2"FP	M220CPG45	18.33 \$
3" X 3"FP	M300CPG45	74.98 \$



90° FLANGED COUPLING		
SIZE	PART#	PRICE
1" X 1"	M100CPG90	8.68 \$
2" X 2"	M200CPG90	14.51 \$
2" X 2"SH	M200CPG90SH	14.51 \$
2" X 2"FP	M220CPG90	13.20 \$
3" X 3"FP	M300CPG90	62.68 \$



3" MANIFOLD Y		
SIZE	PART #	PRICE
3" FP x 2"FP	M300220WYCG	113.71 \$



FLANGED "Y" COUPLER		
SIZE	PART#	PRICE
2"	M200Y45	67.66 \$
2" w/port	M200Y45	76.51 \$
2"FP	M220Y45	74.26 \$
2"FP w/port	M220Y45	88.58 \$
3"FP	M300Y45	148.80 \$
3"FP w/port	M300Y45	155.50 \$



FLANGE X FEMALE PIPE		
SIZE	PART#	PRICE
1" X 1/2"	M100050FPT	2.91 \$
1" X 3/4"	M100075FPT	2.91 \$
1" X 1"	M100FPT	5.48 \$
2" X 1-1/2"	M200150FPT	14.47 \$
2" X 2"	M200FPT	15.92 \$
2"FP X 2"	M220FPT	25.65 \$
3" X 3"	M300FPT	41.32 \$



FLANGE REDUCER COUPLER		
SIZE	PART#	PRICE
2" X 1"	M200100CPG	16.88 \$
2"FP X 1"	M220100CPG	18.58 \$
2"FP X 2"	M220200CPG	18.58 \$
3" X 2"	M300200CPG	43.35 \$
3" X 2"FP	M300220CPG	39.40 \$

MANIFOLD FITTINGS



FLANGE X MALE ADAPTER		
SIZE	PART#	PRICE
1" X 1"	M100A	7.56 S
2" X 2"	M200A	10.10 S
2"FP X 2"	M220A	11.13 S
3" X 3"	M300A	21.54 S



FLANGE X HB ELBOW 90°		
SIZE	PART#	PRICE
1" X 3/4"	M100075BRB90	3.06 S
1" X 1"	M100BRB90	3.06 S
1" X 1-1/4"	M100125BRB90	3.06 S
1" X 1-1/2"	M100150BRB90	20.78 S
2" X 1"	M200100BRB90	11.50 S
2" X 1-1/4"	M200125BRB90	11.50 S
2" X 1-1/2"	M200150BRB90	10.46 S
2" X 2"	M200BRB90	11.50 S
2"FP X 1-1/2"	M220150BRB90	11.50 S
2" FP X 2"	M220BRB90	11.50 S
3" X 2"	M300220BRB90	18.99 S
3" X 3"	M300BRB90	46.20 S



FLANGE X MALE NPT -SS		
SIZE	PART#	PRICE
1" X 1"	M100MPTSS	30.50 S
2" X 1-1/4"	M200125MPTSS	52.01 S
2" X 1-1/2"	M200150MPTSS	47.67 S
2" X 2"	M200MPTSS	65.84 S
2"FP X 1-1/2"	M220150MPTSS	69.26 S
2"FP X 2"	M220MPTSS	69.26 S
3" X 2"FP	M300220MPTSS	195.29 S
3" X 3"	M300MPTSS	116.24 S



FLANGE X HOSE BAR		
SIZE	PART #	PRICE
1" X 3/4"	M100075BRB	2.53 S
1" X 1"	M100BRB	2.53 S
1" X 1-1/4"	M100125BRB	2.53 S
2" X 1"	M200100BRB	6.22 S
2" X 1-1/4"	M200125BRB	6.43 S
2" X 1-1/2"	M200150BRB	5.66 S
2" X 2"	M200BRB	6.22 S
2"FP X 1"	M220100BRB	6.79 S
2"FP X 1-1/4"	M220125BRB	6.22 S
2"FP X 1-1/2"	M220150BRB	6.22 S
2"FP X 2"FP	M220BRB	5.66 S
3" X 2"	M300220BRB	19.11 S
3" X 3"	M300BRB	17.27 S



FLANGE X HB TEE		
SIZE	PART#	PRICE
1" X 1"	M100100HBT	9.92 S
1" X 1-1/4"	M100125HBT	12.21 S
2"FP X 2"	M220200HBT	18.39 S
3" X 3"	M300300HBT	40.08 S



FLANGE X SOCKET WELD -SS		
SIZE	PART#	PRICE
1" X 1"	M100SWFSS	30.50 S
1" X 1" X 4"	M104SWFSS	133.24 S
2" X 2"	M200SWFSS	87.14 S
2"FP X 2"	M220SWFSS	81.25 S
2"FP X 2" X 3-3/4"	M220375SWFSS	146.27 S
3" X 3"	M300SWFSS	138.64 S
3" X 3" X 3-3/4"	M300375SWFSS	239.34 S



FLANGE X HB 45°		
SIZE	PART#	PRICE
1" X 1"	M100BRB45	17.01 S
2" X 1-1/2"	M200150BRB45	20.47 S
2" X 2"	M200BRB45	24.03 S
2"FP X 2"	M220BRB45	23.16 S
3" X 3"	M300BRB45	80.75 S



FLANGED CROSS		
SIZE	PART#	PRICE
1"	M100CR	23.41 S
2"	M200CR	38.17 S
2"FP	M220CR	41.98 S
3"	M300CR	84.44 S



1" Manifold Pressure Spike Valves		
PART#	PRESSURE	PRICE
MPRV100-100	100 PSI	93.60 S
MPRV100-125	125 PSI	93.60 S



MANIFOLD SWIVEL		
SIZE	PART #	PRICE
2"FP	MSW220	46.50 S

MANIFOLD FITTINGS



FLANGED CHECK VALVE		
SIZE	PART#	PRICE
1"	MCV100	22.27 \$
2"	MCV200	28.81 \$
2"FP	MCV221	37.90 \$
3"	MCV300	57.70 \$



GASKET FLANGE		
SIZE	PART #	PRICE
1"	FG100	1.76 \$
1-1/2"	FG200	1.89 \$
2"	FG220	1.92 \$
3"	FG300	2.75 \$



FLANGE X FLANGE SWEEP		
SIZE	PART#	PRICE
1"	M100SWP90	15.96 \$
1" w/port	M100SWPG90	19.86 \$
2"	M200SWP90	18.14 \$
2"FP x 2"	M220SWP90	16.75 \$
2"FP w/port	M220SWPG90	19.32 \$
2"FP x 2"	M220200SWP90	19.58 \$
3" x 2" FP	M300220SWP90	76.83 \$
3"	M300SWP90	76.83 \$
3" w/port	M300SWPG90	84.51 \$



FLANGE X MPT SWEEP		
SIZE	PART #	PRICE
2"FP	M220MPTSWP90	18.41 \$
3"	M300MPTSWP90	84.51 \$



GASKETS REGULAR		
SIZE	PART#	PRICE
1"	M100G	2.41 \$
1"	M100GV	7.07 \$



GASKETS RIB		
SIZE	PART#	PRICE
1"	M101G	2.02 \$
2"	M201G	2.37 \$
2"FP	M221G	2.57 \$
3"	M301G	2.77 \$



FLANGE X HOSE BARB SWEEP		
SIZE	PART #	PRICE
1"	M100BRBSWP90	17.36 \$
1" w/gauge port	M100BRBSWPG90	18.06 \$
1" X 1-1/4"	M100125BRBSWP90	19.62 \$
2"FP	M220BRBSWP90	39.51 \$
3"	M300BRBSWP90	76.83 \$

FLANGE X MALE ADAPTER SWEEP		
SIZE	PART #	PRICE
2"FP	M220ASWP90	16.75 \$
3"	M300ASWP90	84.51 \$



FLANGE CLAMPS		
SIZE	PART#	PRICE
1"	FC100	6.72 \$
2"	FC200	7.84 \$
2"FP	FC220	8.16 \$
2"FP	FC220B	47.80 \$
3"	FC300	11.25 \$
3"	FC300B	53.28 \$



U-BOLTS		
SIZE	PART#	PRICE
100 SERIES	UB100	27.83 \$
200 SERIES	UB202	27.84 \$
220 SERIES	UB220	29.39 \$



FLANGE X PVC GLUE SOCKET		
SIZE	PART#	PRICE
1" X 1"	M101GSA	9.72 \$
2"FP X 2"	M221GSA	16.83 \$
3"FP X 3"	M301GSA	26.42 \$

MANIFOLD FITTINGS & BOOM NOZZLE ADAPTER



FLANGE FLOW METER		
SIZE	PART #	PRICE
1" FPT	FM100	1,328.42 S
1"	MFM100	1,328.42 S
2"FP	MFM220	1,509.41 S
3"FP	MFM300	1,894.38 S



FLOW METER

- *Displays overall total volume & batch total volume
- *Flow rate allows for Gallons or Liters Per Minute
- *Self calibrating meter
- *Measures water & most conductive liquids
- *No moving parts to fail during use
- *Magnetic style meter with stainless steel electrodes



VENTURI		
PART#	DESCRIPTION	PRICE
HV200	2"MPT Poly Venturi	161.60 S
MHV200	2" Manifold Poly Venturi 1-1/2" Port	148.12 S
MHV220A	2"FP Manifold Poly Venturi	148.86 S

BOOM NOZZLE PIPE ADAPTER		
PART#	DESCRIPTION	PRICE
M100PA	1" Flanged Pipe Adapter	55.11 S
M100PAT	1" Flanged Pipe Adapter Tee	61.27 S
M100PAC	1" Flanged Pipe Adapter Cap	57.26 S



MANIFOLD INDUCTOR SYSTEM		
PART#	DESCRIPTION	PRICE
MIS220	2" FP Flange x Flange - Assembled	614.99 S
MIS300	3" FP Flange x Flange - Assembled	1,178.41 S



MANIFOLD VALVES

4 & 6 BOLT MANIFOLD VALVES



4 & 6 Bolt Manifold Valves				
PART#	DESCRIPTION	PIPE SIZE	OPENING	PRICE
MV100CF	1" x 1" Flange Ball Valve	1"	1"	49.50 S
MV200CF	2" x 2" Flange Ball Valve	2"	1-1/2"	70.06 S
MV220CF	2" x 2"FP Flange Ball Valve	2"	2"	93.37 S
MV300	3" x 3" Flange Ball Valve	3"	2-1/2"	153.29 S
MV300CF	3" x 3"FP Flange Ball Valve	3"	3"	222.18 S

MANIFOLD "STUBBY" VALVES

Manifold Stubby Valves				
PART#	DESCRIPTION	SIZE	OPENING	PRICE
VSM200CF	2" Flange x 2" Male NPT	2"	1-1/2"	81.62 S
VSF200CF	2" Flange x 2" Male Adapter	2"	1-1/2"	70.06 S
MVS220FP	2"FP Flange x 2" Female NPT	2"	2"	101.47 S
MVSF220FP	2"FP Flange x 2" Male Adapter	2"	2"	84.57 S
MVS220CF	2"FP Flange x 2"FP Flange	2"	2"	84.57 S
MVSMT220FP	2"FP Flange x 2" Male NPT	2"	2"	84.57 S
MVSF300	3" Flange x 3" Male Adapter	3"	2-1/2"	172.87 S
MVSF300FP	3"FP Flange x 3" Male Adapter	3"	3"	216.42 S
MVSMT300	3" Flange x 3" Male NPT	3"	2-1/2"	216.02 S
MVS300CF	3" Flange x 3" Flange	3"	2-1/2"	172.87 S
MVS300CFPP	3"FP Flange x 3"FP Flange	3"	3"	211.48 S



MANIFOLD "STUBBY" VALVES "STAINLESS STEEL"



SS Manifold Valves				
PART#	DESCRIPTION	PIPE SIZE	OPENING	PRICE
MVS220HSFP	2" FP Flange x 2" FP Flange	2"	2"	222.02 S
MVSF220HSFP	2" FP Flange x 2" Male NPT	2"	2"	222.02 S
MVSMT220HSFP	2"FP NPT x 2" Male Flange	2"	2"	222.02 S
MVS300HSFP	3" FP Flange x 3" FP Flange	3"	3"	416.08 S
MVSF300HSFP	3" FP Flange x 3" Male Adapter	3"	3"	416.08 S
MVSMT300HSFP	3" FP Flange x 3" Male NPT	3"	3"	416.08 S

BOTTOM & SIDE LOAD VALVES

3-Way Manifold Ball Valves				
PART#	DESCRIPTION	FLANGE SIZE	OPENING	PRICE
MV100BL	1" Flange Bottom Load	1"	1"	77.92 S
MV200BL	2" Flange Bottom Load	2"	1-1/2"	83.83 S
MV220BL	2"FP Flange Bottom Load	2"	2"	132.73 S
MV300BL	3" Flange Bottom Load	3"	3"	355.81 S
MV100SL	1" Flange Side Load	1"	1"	77.92 S
MV200SL	2" Flange Side Load	2"	1-1/2"	100.77 S
MV220SL	2"FP Flange Side Load	2"	2"	132.73 S
MV225CF	2"FP 5 WAY VALVE	2"	2"	442.82 S



VS VALVES MANIFOLD STYLE

VS Valve Manifold				
PART#	DESCRIPTION	SIZE	OPENING	PRICE
TMV200CF	2" Flange x 2" Flange	2"	1-1/2"	65.28 S
TVVSF200CF	2" Flange x 2" Male Adapter	2"	1-1/2"	65.28 S
TVSMT200CF	2" Flange x 2" Male NPT	2"	1-1/2"	76.04 S
TMVS220FP	2"FP Flange x 2" Female NPT	2"	2"	94.54 S
TMVSF220FP	2"FP Flange x 2"FP Flange	2"	2"	78.80 S
TMVS220CF	2" Flange x 2" Male Adapter	2"	2"	78.80 S
TMVSMT220FP	2"FP Flange x 2" Male NPT	3"	2"	78.80 S
TMVSF300FP	3"FP Flange x 3" Male Adapter	3"	3"	201.64 S
TMVS300CFFP	3"FP Flange x 3" Flange	3"	3"	197.03 S



- * Compact Design
- * Stainless Steel Bolts
- * Precision molded in polypropylene
- * Polypropylene is reinforced with fiberglass for additional strength
- Self-aligning ball moves freely against the Teflon seats for smooth operation
- The valve opens and closes with little pressure on the handle
- * Viton o-rings
- * Teflon self-lubricating stem bushings and seats cannot stick or bind

SS VS Valve Manifold				
PART#	DESCRIPTION	PIPE SIZE	OPENING	PRICE
TMVS220HSFP	2" FP Flange x 2" FP Flange	2"	2"	206.87 S
TMVSF220HSFP	2" FP Flange x 2" Male Adapter	2"	2"	206.87 S
TMSMT220HSFP	2" Male NPT x 2" Flange	2"	2"	206.87 S
TMV300HSFP	3" FP Flange x 3" FP Flange	3"	3"	387.68 S
TMVSF300HSFP	3" FP Flange x 3" Male Adapter	3"	3"	387.68 S
TMVSMT300HSFP	3" Male NPT x 3" Flange	3"	3"	387.68 S

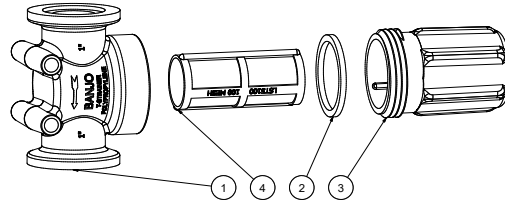


- * Compact Design
- * Stainless Steel Ball, Handle, Stem and Bolts
- * Precision molded in polypropylene
- * **Locking Handle**
- * Viton o-rings
- * Teflon self-lubricating stem bushings and seats cannot stick or bind

Flange x Female Coupler Valve		
PART #	Description	Price
MVSD220FP	2" Flange x 2" Female Coupler Full Port	98.89 S
MVSD300FP	3" Flange x 3" Female Coupler Full Port	235.37 S

MANIFOLD STRAINERS

1" MINI T STRAINER



MINI T STRAINERS				
PART#	SIZE	MESH	MAX PSI	PRICE
BLACK BOWL				
MLSTM100-30	1"	30	300	27.33 \$
MLSTM100-50	1"	50	300	27.33 \$
MLSTM100-80	1"	80	300	27.33 \$
MLSTM100-100	1"	100	300	27.33 \$
CLEAR BOWL				
MLSTM100-30C	1"	30	300	35.59 \$
MLSTM100-50C	1"	50	300	35.59 \$
MLSTM100-80C	1"	80	300	35.07 \$
MLSTM100-100C	1"	100	300	35.59 \$

MANIFOLD MINI T REPLACEMENT PARTS			
ITEM	PART #	DESCRIPTION	PRICE
1	MLSTM100H	1" Mini T Strainer Head	23.19 \$
2	BLST050G	EPDM Gasket	4.46 \$
3	BLSTM050B	BLACK Bowl	10.37 \$
3	BLSTM050C	CLEAR Bowl	20.23 \$
4	BLST530	30 Mesh Screen FLAME RED	20.22 \$
4	BLST550	50 Mesh Screen GENTIAN BLUE	20.22 \$
4	BLST580	80 Mesh Screen ZINC YELLOW	20.22 \$
4	BLST5100	100 Mesh Screen TRAFFIC GREEN	20.22 \$

1" & 2" T STRAINER



1" & 2" MANIFOLD T STRAINER				
PART #	SIZE	MESH	MAX PSI	PRICE
MLST100-16	1"	16	300	52.39 \$
MLST100-30	1"	30	300	52.39 \$
MLST100-50	1"	50	300	52.39 \$
MLST100-80	1"	80	300	52.39 \$
MLST100-100	1"	100	300	52.39 \$
MLST150-16	2"	16	250	97.56 \$
MLST150-30	2"	30	250	97.56 \$
MLST150-50	2"	50	250	88.70 \$
MLST150-80	2"	80	250	97.56 \$
MLST150-100	2"	100	250	97.56 \$

MANIFOLD 1" T REPLACEMENT PARTS			
ITEM	PART #	DESCRIPTION	PRICE
1	MLST100-H	1" T Head	18.04 \$
2	BLST100-B	1" T Bowl, Drain Plug, O-ring	16.93 \$
3	12777	1/2" Plug	3.28 \$
4	UV15163	O-ring	1.20 \$
5	BLST100-G	1" EPDM Gasket	4.46 \$
6	BLST116	16 Mesh Screen BROWN RED	25.12 \$
6	BLST130	30 Mesh Screen FLAME RED	25.12 \$
6	BLST150	50 Mesh Screen GENTIAN BLUE	22.84 \$
6	BLST180	80 Mesh Screen Zinc Yellow	22.84 \$
6	BLST1100	100 Mesh Screen TRAFFIC GREEN	24.53 \$
KIT	MLST100-HB	Kit Includes Items 1-5	33.06 \$

MANIFOLD 2" T REPLACEMENT PARTS			
ITEM	PART #	DESCRIPTION	PRICE
1	MLST150-H	1-1/2" T Body	35.53 \$
2	BLST150-B	2" T Bowl, Drain Plug, O-ring	32.24 \$
3	BLSQ200-PL	1-1/2" Plug	3.81 \$
4	BLSQ200-R	O-ring	1.20 \$
5	BLST150-G	1-1/2" EPDM Gasket	4.46 \$
6	BLST1516	16 Mesh Screen BROWN RED	38.59 \$
6	BLST1530	30 Mesh Screen FLAME RED	38.59 \$
6	BLST1550	50 Mesh Screen GENTIAN BLUE	38.59 \$
6	BLST1580	80 Mesh Screen ZINC YELLOW	38.59 \$
6	BLST15100	100 Mesh Screen TRAFFIC GREEN	38.59 \$
KIT	MLST150-HB	kit Includes Items 1-5	62.31 \$

MANIFOLD STRAINERS



1" Y STRAINER



2" Y STRAINER

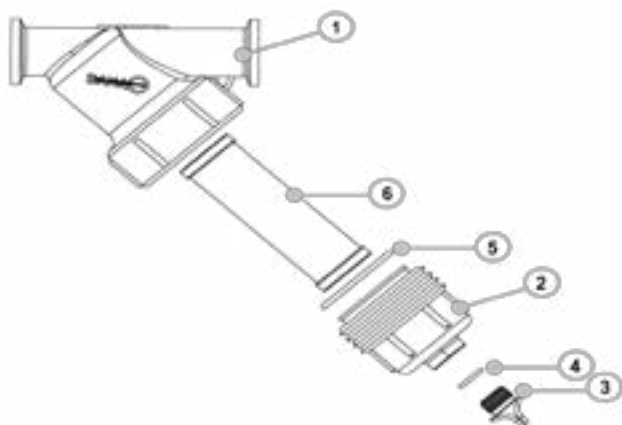


1" MANIFOLD Y STRAINER				
PART #	SIZE	MESH	MAX PSI	PRICE
MLS100-20	1"	20	225	47.92 \$
MLS100-40	1"	40	225	43.61 \$
MLS100-80	1"	80	225	49.35 \$

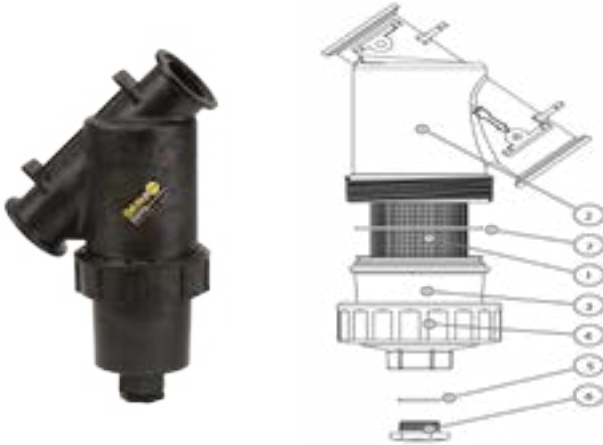
2" MANIFOLD "Y" STRAINER				
PART #	SIZE	MESH	MAX PSI	PRICE
MLS200-06	2"	6	225	112.12 \$
MLS200-12	2"	12	225	112.12 \$
MLS200-20	2"	20	225	112.12 \$
MLS200-30	2"	30	225	101.93 \$
MLS200-50	2"	50	225	112.12 \$
MLS200-80	2"	80	225	112.12 \$

1" REPLACEMENT PARTS			
ITEM	PART#	DESCRIPTION	PRICE
1	MLS100B	1" Y Body	21.32 \$
2	BLS100-C1	Bowl, Drain Plug, O-ring	16.93 \$
3	12777	1/2" Plug	3.28 \$
4	UV15163	O-ring	1.20 \$
5	BLS100-G	1" EPDM Gasket	4.46 \$
6	BLS120	20 Mesh Screen BEIGE	28.80 \$
6	BLS140	40 Mesh Screen BROWN	28.80 \$
6	BLS150	50 Mesh Screen GENTIAN BLUE	28.80 \$
6	BLS180	80 Mesh Screen ZINC YELLOW	26.18 \$
KIT	MLS100BC	Kit Includes Items 1-5	23.50 \$

2" REPLACEMENT PARTS			
ITEM	PART #	DESCRIPTION	PRICE
1	MLS200B	2" Y Body	48.63 \$
2	BLS150-C	Bowl, Drain Plug, O-ring	29.46 \$
3	BLSQ200-PL	2" Plug	3.81 \$
4	BLSQ200-R	O-ring	1.20 \$
5	BLS150-G	2" EPDM Gasket	4.46 \$
6	BLS206	6 Mesh Screen WHITE	56.98 \$
6	BLS212	12 Mesh Screen BLACK	51.80 \$
6	BLS220	20 Mesh Screen BEIGE	51.80 \$
6	BLS230	30 Mesh Screen FLAME RED	51.80 \$
6	BLS250	50 Mesh Screen GENTIAN BLUE	51.80 \$
6	BLS280	80 Mesh Screen ZINC YELLOW	51.80 \$
6	BLS2100	100 Mesh Screen TRAFFIC GREEN	56.98 \$
6	BLS2120	120 Mesh Screen BLACK	56.98 \$
KIT	MLS200BC	Kit Includes Items 1-5	77.68 \$



2" FULL PORT Y STRAINER



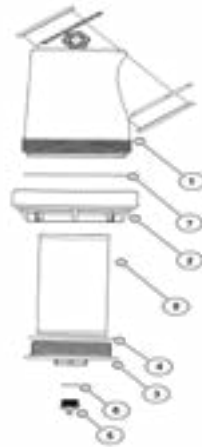
2" FP MANIFOLD Y STRAINER				
PART #	SIZE	MESH	MAX PSI	PRICE
MLS222-04	2" FP	4	225	155.57 \$
MLS222-08	2" FP	8	225	171.12 \$
MLS222-10	2" FP	10	225	171.12 \$
MLS222-16	2" FP	16	225	171.12 \$
MLS222-30	2" FP	30	225	155.57 \$
MLS222-50	2" FP	50	225	155.57 \$
MLS222-80	2" FP	80	225	171.12 \$
MLS222-100	2" FP	100	225	171.12 \$

MANIFOLD 2" FP REPLACEMENT PARTS			
ITEM	PART #	DESCRIPTION	PRICE
1	BLST204SS	4 SS Mesh Screen	78.42 \$
1	BLST206SS	6 SS Mesh Screen	78.42 \$
1	BLST208SS	8 SS Mesh Screen	78.42 \$
1	BLST210SS	10 SS Mesh Screen	78.42 \$
1	BLST216SS	16SS Mesh Screen	78.42 \$
1	BLST230SS	30 SS Mesh Screen	71.29 \$
1	BLST250SS	50 SS Mesh Screen	71.29 \$
1	MLS250SS	50 SS Mesh Perforated Screen	113.62 \$
1	BLST280SS	80 SS Mesh Screen	78.42 \$
1	MLS280SS	80 SS Mesh Perforated Screen	113.62 \$
1	BLST2100SS	100 SS Mesh Screen	78.42 \$
1	MLS2100SS	100 SS Mesh Perforated Screen	122.52 \$
2	MLS222B	2" Flanged Y Strainer Body	50.82 \$
3	MLS220C1	2" Flanged Y Strainer Cap	33.06 \$
4	MLS220R1	2" Flanged Y Strainer Ring	18.65 \$
5	BLSQ200-R	2" Plug Gasket	1.20 \$
6	BLSQ200-PL	2" Plug	3.81 \$
7	MLS220G1	2" Body Gasket	4.90 \$
KIT	MLS222BC	Kit Includes Items 2-7	90.17 \$

3" Y STRAINER



3" MANIFOLD Y STRAINER				
PART #	SIZE	MESH	MAX PSI	PRICE
MLS300-08	3"	8	100	625.63 \$
MLS300-12	3"	12	100	625.63 \$
MLS300-20	3"	20	100	568.76 \$
MLS300-50	3"	50	100	568.76 \$



3" FLANGED Y STRAINER REPLACEMENT PARTS			
ITEM	PART #	DESCRIPTION	PRICE
1	MLS300B	3" Flanged Y Strainer Body	371.61 \$
2	MLS300CAP	3" Flanged Y Strainer Cap	204.40 \$
3	BLS300EC	3" End Cap	39.09 \$
4	MLS300ECG	3" EPDM End Cap Gasket	15.77 \$
5	13777	3/4" Plug	5.28 \$
6	13778	O-ring	2.25 \$
7	MLS300G	3" EPDM Cap Gasket	8.15 \$
8	BLS304	4 SS Mesh Screen	171.55 \$
8	BLS308	8 SS Mesh Screen	171.55 \$
8	BLS312	12 SS Mesh Screen	171.55 \$
8	BLS320	20 SS Mesh Screen	155.94 \$
8	BLS350	50 SS Mesh Screen	155.94 \$
KIT	MLS300BC	Kit Includes Items 1-7	492.94 \$

***WARNING: 3" "Y" Strainer to be used on suction side or non-pressure side in all applications.**

SINGLE UNION VALVE



SINGLE UNION POLY BALL VALVE			
PART#	THREAD SIZE	PORT SIZE	PRICE
UV12	1/2"	1/2"	13.24 S
UV34	3/4"	3/4"	15.47 S
UV100	1"	1"	18.69 S
UV114	1-1/4"	1-1/4"	30.65 S
UV112	1-1/2"	1-1/2"	38.28 S
UV200	2"	2"	50.06 S
UV300	3"	3"	144.05 S
SINGLE UNION NOZZLE STYLE			
PART#	THREAD SIZE	PORT SIZE	PRICE
UV100-45	1"	1"	19.48 S

MULTI-PORT VALVE



TRUE-UNION MULTI-PORT BALL VALVE			
PART#	THREAD SIZE	PORT SIZE	PRICE
UV34MP	3/4"	3/4"	42.62 S
SINGLE UNION MULTI-PORT BALL VALVE			
PART#	THREAD SIZE	PORT SIZE	PRICE
UV200MP	2"	2"	60.38 S

BALL VALVES

4-BOLT POLY BALL VALVE



4-BOLT POLY BALL VALVE			
PART#	THREAD SIZE	PORT SIZE	PRICE
BV12FP	1/2"	1/2"	31.12 S
BV34FP	3/4"	3/4"	31.12 S
BV100FP	1"	1"	36.47 S
BV114FP	1-1/4"	1-1/4"	45.99 S
BV112FP	1-1/2"	1-1/2"	45.99 S
62046	2" Male x 2" Female	1-1/2"	46.53 S

6-BOLT POLY BALL VALVE



6-BOLT POLY VALVE			
PART#	THREAD SIZE	PORT SIZE	PRICE
BV200FP	2"	2"	65.56 S
BV300FP	3"	3"	155.20 S
BV400FP	4"	4"	331.19 S

6-BOLT MALE X FEMALE



6-BOLT FULL PORT MALE X FEMALE POLY BALL VALVE			
PART#	THREAD SIZE	PORT SIZE	PRICE
61876	2"	2"	65.56 S
62047	3"	3"	155.20 S

6-BOLT NOZZLE STYLE



6-BOLT NOZZLE STYLE POLY BALL VALE			
PART#	THREAD SIZE	PORT SIZE	PRICE
60544	1-1/2" FULL	1-1/2"	62.90 S
60545	2"	1-1/2"	64.40 S
60546	2" FULL	2"	89.66 S

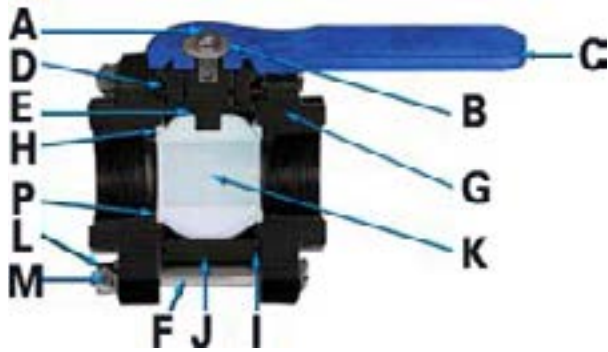
COMPACT BALL VALVES



COMPACT BOLTED VALVE FP MALE X FEMALE			
PART#	THREAD SIZE	PORT SIZE	PRICE
62286	2"	2"	52.35 S
COMPACT BOLTED VALVE FP FEMALE X FEMALE			
62287	2"	2"	52.35 S
COMPACT BOLTED VALVE FP FEMALE X MALE ADAPTER			
62314	2"	2"	52.35 S
COMPACT BOLTED VALVE FP MALE X MALE ADAPTER			
62288	2"	2"	52.35 S



BOLTED BALL VALVE PARTS



REPLACEMENT PARTS DESCRIPTION			
ITEM	DESCRIPTION	ITEM	DESCRIPTION
A	STEM SCREW	H	TEFLON SEAT
B	CAP SCREW & WASHER	I	BODY O-RING LARGE
C	HANDLE	J	VALVE BODY
D	VITON STEM O-RING	K	VALVE BALL
E	VALVE STEM W/O-RING	L	WASHER LOCK SS
F	STAINLESS BOLT	M	HEX NUT SS
G	END FLANGE	P	SEAT O-RING

NORWESCO BOLTED BALL VALVE REPLACEMENT PARTS											
ITEM	SIZE AND DESCRIPTION										
	1/2"FP	3/4"FP	1"	1"FP	1-1/4"	1-1/4"FP	1-1/2"FP	2"	2"CMP	2"FP	3"FP
A STEM CAP SCREW											
PART#	61347	61347	61347	61347	61347						
PRICE	0.33 \$	0.33 \$	0.33 \$	0.33 \$	0.33 \$						
B STEM FLAT WASHER											
PART#						61350	61350	61350	61350	61351	61351
PRICE						0.90 \$	0.90 \$	0.90 \$	0.90 \$	2.92 \$	2.92 \$
C HANDLE											
PART#	61721	61721	61721	61722	61722	61723	61723	61723	61723	61724	61724
PRICE	2.48 \$	2.48 \$	2.48 \$	2.76 \$	2.76 \$	4.63 \$	4.63 \$	4.63 \$	4.63 \$	7.14 \$	7.14 \$
D VITON STEM O-RING											
PART#	61497	61497	61497	61497	61497	61425	61425	61425	61425	61447	61447
PRICE	1.12 \$	1.12 \$	1.12 \$	1.12 \$	1.12 \$	1.86 \$	1.86 \$	1.86 \$	1.86 \$	2.48 \$	2.48 \$
E VALVE STEM W/VITON O-RING											
PART#	61359	61359	61359	61446	61446	61360	61360	61360	61360	61361	61361
PRICE	2.48 \$	2.48 \$	2.48 \$	2.48 \$	2.48 \$	4.93 \$	4.93 \$	4.93 \$	4.93 \$	7.39 \$	7.39 \$
FLM STAINLESS STEEL BOLT, LOCK WASHER AND HEX NUT											
PART#	61421	61421	61421	61422	61422	61423	61423	61423	61424	61424	62208
PRICE	2.10 \$	2.10 \$	2.10 \$	2.97 \$	2.97 \$	5.29 \$	5.29 \$	5.29 \$	5.79 \$	5.79 \$	6.78 \$
G END FLANGE WITH TEFLON SEAT											
PART#	62051	62052	62053	62054	62055	62056	62057	62059	62316	62060	62065
PRICE	6.78 \$	6.78 \$	6.78 \$	9.23 \$	9.23 \$	12.46 \$	12.46 \$	12.46 \$	14.17 \$	17.24 \$	36.96 \$
G MPT END FLANGE WITH TEFLON SEAT											
PART#								62064	62317	62063	62066
PRICE								11.70 \$	14.17 \$	18.49 \$	38.19 \$
H TEFLON SEAT											
PART#	62077	62077	62077	62076	62076	62075	62075	62075	62074	62074	62073
PRICE	2.48 \$	2.48 \$	2.48 \$	3.08 \$	3.08 \$	3.69 \$	3.69 \$	3.69 \$	4.93 \$	4.93 \$	9.29 \$
I LARGE BODY EPDM O-RING SEAL											
PART#	61378	61378	61378	61379	61379	61380	61380	61380	62319	61381	61382
PRICE	1.12 \$	1.12 \$	1.12 \$	1.86 \$	1.86 \$	1.86 \$	1.86 \$	1.86 \$	3.58 \$	3.58 \$	4.30 \$
J VALVE BODY											
PART#	61383	61383	61383	61384	61384	61385	61385	61385	62315	61386	61387
PRICE	6.16 \$	6.16 \$	6.16 \$	7.08 \$	7.08 \$	8.00 \$	8.00 \$	8.00 \$	9.23 \$	14.17 \$	23.66 \$
K VALVE BALL											
PART#	61388	61388	61388	61389	61389	61390	61390	61390	62312	61391	61392
PRICE	5.55 \$	5.55 \$	5.55 \$	6.16 \$	6.16 \$	10.17 \$	10.17 \$	10.17 \$	12.32 \$	12.32 \$	24.64 \$

4 & 6 BOLT VS VALVES



4-BOLT VS VALVE			
PART#	DESCRIPTION	PORT SIZE	PRICE
TV050FPY	1/2" Female NPT	1/2"	42.00 S
TV075FPY	3/4" Female NPT	3/4"	42.00 S
TV100FPY	1" Female NPT	1"	46.31 S
TV125FPY	1-1/4" Female NPT	1-1/4"	57.63 S
TV150FPY	1-1/2" Female NPT	1-1/2"	57.63 S
TV204FPT	2" Female NPT	2"	76.94 S



6-BOLT VS VALVE			
PART#	DESCRIPTION	PORT SIZE	PRICE
TV200FPY	2" Female NPT	2"	81.16 S
TV300FPY	3" Female NPT	3"	181.23 S
TV400FPY	4" Female NPT	4"	341.97 S



4-BOLT VS VALVE			
PART#	DESCRIPTION	PORT SIZE	PRICE
TVF204FPT	2" Female NPT x 2" Male Adapter	2"	86.00 S
TVFMT204FPY	2" Male NPT x 2" Male Adapter	2"	86.00 S
TVMT204FPY	2" Female NPT x 2" Male NPT	2"	86.00 S
TVMM204FPY	2" Male NPT x 2" Male NPT	2"	86.00 S



HOSE BARB x FEMALE COUPLER VALVE		
PART #	Description	Price
VSHBD204FP	2" Hose Barb x 2" Female Coupler Full Port	98.89 S
VSHBD300FP	3" Hose Barb x 3" Female Coupler Full Port	235.37 S

FLANGE x FEMALE COUPLER VALVE		
PART #	Description	Price
MVSD220FP	2" Flange x 2" Female Coupler Full Port	98.89 S
MVSD300FP	3" Flange x 3" Female Coupler Full Port	235.37 S



METAL VALVE HANDLE Fits V125FP, V150, V200, V300, V300FP	
PART #	PRICE
V25272	31.11 S



BOLTED VALVES



4-BOLT POLY VALVE			
PART#	THREAD SIZE	PORT SIZE	PRICE
BBV050	1/2"	3/4"	44.90 S
BBV075	3/4"	3/4"	44.90 S
BBV100FP	1"	1"	49.50 S
BBV125	1-1/4"	1"	49.50 S
BBV125FP	1-1/4"	1-1/4"	63.64 S
BBV204FP	2"	2"	84.96 S



6-BOLT POLY VALVE			
PART#	THREAD SIZE	PORT SIZE	PRICE
BBV200FP	2"	2-1/16"	89.62 S
BBV300FP	3"	3"	214.17 S
BBV400	4"	3-1/2"	468.07 S



BOLTED POLY NOZZLE VALVE			
PART#	THREAD SIZE	PORT SIZE	PRICE
BBVA150	1-1/2"	1-1/2"	76.61 S
BBVA200	2"	1-1/2"	76.61 S
BBVA200FP	2"	2-1/16"	114.62 S



"STUBBY" VALVES



"STUBBY" BALL VALVE & 2" FULL PORT ADAPTER VALVE			
PART#	DESCRIPTION	PORT SIZE	PRICE
BVSM200	2" MPT x 2" FPT	1.5"	70.06 S
BVSF200	2" MALE ADAPTER x 2" FPT	1.5"	70.06 S
BVSFMT200	2" MALE ADAPTER x 2" MPT	1.5"	74.54 S
BVSM204FP	2" MPT x 2" FPT	2"	84.57 S
BVSF204FP	2" MALE ADAPTER x 2" FPT	2"	84.57 S
BVSFMT204FP	2" MALE ADAPTER x 2" MPT	2"	84.57 S
BVS204FP	2" FPT x 2" FPT	2"	84.57 S
BVSM2300	3" MANIFOLD FLANGE x 3" MPT	2.5"	172.87 S
BVSF300	3" FPT x 3" MALE ADAPTER	2.5"	172.87 S
BVSFMT300	3" MPT x 3" MALE ADAPTER	2.5"	172.87 S

VS VALVES



VS VALVE			
PART#	DESCRIPTION	PORT SIZE	PRICE
TVSF200	2" Male Adapter x 2" Female NPT	1-1/2"	65.28 S
TVSFMT200	2" Male Adapter x 2" Male NPT	1-1/2"	69.46 S
TVSMT200	2" Male NPT x 2" Female NPT	1-1/2"	65.28 S
TVSMTMT200	2" Male NPT x 2" Male NPT	1-1/2"	69.46 S
TVS204FP	2" Female NPT x 2" Female NPT	2"	78.80 S
TVSF204FP	2" Male Adapter x 2" Female NPT	2"	78.80 S
TVSFMT204FP	2" Male Adapter x 2" Male NPT	2"	78.80 S
TVSMT204FP	2" Male NPT x 2" Female NPT	2"	78.80 S
TVSFMT300FP	3" Male Adapter x 3" Male NPT	3"	203.94 S

- * Compact Design
- * Stainless Steel Bolts
- * Precision molded in polypropylene
- * Polypropylene is reinforced with fiberglass for additional strength
- Self-aligning ball moves freely against the Teflon seats for smooth operation
- The valve opens and closes with little pressure on the handle
- * Viton "O" rings
- * Teflon self-lubricating stem bushings and seats cannot stick or bind



SS VS VALVES



SS VS VALVE			
PART#	DESCRIPTION	PORT SIZE	PRICE
TVSFMT204HSFP	2" Male Adapter x 2" Male NPT	2"	206.87 S
TVSFM300HSFP	3" Male Adapter x 3" Male NPT	3"	387.68 S



- * Compact Design
- * Stainless Steel Ball, Handle, Stem and Bolts
- * Precision molded in polypropylene
- * **Locking Handle**
- * Viton o-rings
- * Teflon self-lubricating stem bushings and seats cannot stick or bind



3-WAY BALL VALVE & REPLACEMENT PARTS



BOTTOM LOAD:
DIRECTIONAL FLOW, RIGHT OR LEFT
AND CAN BE TURNED OFF

SIDE LOAD:
DIRECTIONAL FLOW, RIGHT OR LEFT
AND CANNOT BE TURNED OFF



BANJO 3-WAY VALVES FEATURE:

- PRECISION MOLDED IN GLASS REINFORCED POLYPROPYLENE
- PTFE BUSHINGS & SEATS
- BALL IS DIAMOND TURNED AFTER MOLDING
- STAINLESS STEEL BOLTS

3-WAY BOTTOM LOAD			
PART#	THREAD SIZE	PORT SIZE	PRICE
BBV075BL	3/4"	1"	64.83 S
BBV100BL	1"	1"	64.83 S
BBV125BL	1-1/4"	1-1/2"	100.77 S
BBV150BL	1-1/2"	1-1/2"	100.77 S
BBV200BL	2"	2"	127.93 S

3-WAY SIDE LOAD			
PART#	THREAD SIZE	PORT SIZE	PRICE
BBV075SL	3/4"	1"	64.83 S
BBV100SL	1"	1"	64.83 S
BBV125SL	1-1/4"	1-1/2"	100.77 S
BBV150SL	1-1/2"	1-1/2"	100.77 S
BBV200SL	2"	2"	127.93 S

3-WAY BALL VALVE REPLACEMENT PARTS										
ITEM	SIZE AND DESCRIPTION									
VALVE	075BL	075SL	100BL	100SL	125BL	125SL	150BL	150SL	200BL	200SL
	VALVE BODY									
PART#	V07354B									V25354S
PRICE	13.66 S									21.32 S
	END PLATE									
PART#	V07357	V07357	V10257	V10257			V20257	V20257	V25356	V25356
PRICE	14.75 S	14.75 S	14.75 S	14.75 S			16.93 S	16.93 S	23.50 S	23.50 S
	STEM									
PART#	V10151A	V10151A	V10151A	V10151A	V20151M	V20151M	V20151M	V20151M	V25151B	V25151B
PRICE	5.57 S	5.57 S	5.57 S	5.57 S	10.37 S	10.37 S	10.37 S	10.37 S	16.93 S	16.93 S
	HANDLE									
PART#	V10353TB	V10153A	V10353TB	V10153A	V10353TB	V20153	V10353TB	V20153	V25353B	V25153SH
PRICE	5.57 S	6.12 S	5.57 S	6.12 S	5.57 S	10.37 S	5.57 S	10.37 S	16.93 S	16.93 S
	BALL									
PART#	V10355B	V10355S	V10355B	V10355S	V20355B	V20355S	V20355B	V20355S	V25355B	V25355S
PRICE	9.29 S	9.29 S	9.29 S	9.29 S	15.85 S	15.85 S	15.85 S	15.85 S	16.93 S	16.93 S
	BALL SEATS									
PART#	V10258	V10258	V10258	V10258					V25258	V25258
PRICE	8.15 S	8.15 S	8.15 S	8.15 S					15.77 S	15.77 S
	THRUST BUSHING									
PART#	V10060	V10060	V10060	V10060	V20060	V20060	V20060	V20060	V25060	V25060
PRICE	1.85 S	1.85 S	1.85 S	1.85 S	2.50 S	2.50 S	2.50 S	2.50 S	2.50 S	2.50 S
	STEM BUSHING									
PART#	V10159	V10159	V10159	V10159	V20159	V20159	V20159	V20159	V25160	V25160
PRICE	3.05 S	3.05 S	3.05 S	3.05 S	4.46 S	4.46 S	4.46 S	4.46 S	5.54 S	5.54 S
	STEM O-RING									
PART#					V20163	V20163	V20163	V20163	V25163	V25163
PRICE					3.16 S	3.16 S	3.16 S	3.16 S	4.46 S	4.46 S
	VALVE BODY O-RING									
PART#	V10264	V10264	V10264	V10264	V20264	V20264	V20264	V20264	V25264	V25264
PRICE	8.98 S	8.98 S	8.98 S	8.98 S	11.42 S	11.42 S	11.42 S	11.42 S	13.59 S	13.59 S

SINGLE UNION VALVE

FEATURES:

- * Glass reinforced polypropylene for strength & resistance
- * EPDM O-rings handle fertilizers & chemicals
- * Maximum operating pressure 100 P.S.I. at 70°F
- * PTFE seats for smooth operation & sealing
- * Double O-rings in stem for extra sealing

SINGLE UNION POLY BALL VALVE				
PART#	DESCRIPTION	THREAD SIZE	PORT SIZE	PRICE
BUV050FP	1/2" UNION VALVE	1/2"	1/2"	23.06 S
BUV075FP	3/4" UNION VALVE	3/4"	3/4"	23.06 S
BUV100FP	1" UNION VALVE	1"	1"	28.84 S
MSUV100FP	1" MANIFOLD UNION VALVE	1"	1"	28.84 S
BUV125FP	1-1/4" UNION VALVE	1-1/4"	1-1/4"	59.38 S
BUV150FP	1-1/2" UNION VALVE	1-1/2"	1-1/2"	59.01 S
BUV200FP	2" UNION VALVE	2"	2"	62.41 S



POLY MICRO VALVE



HOSEBARB MICRO VALE		
PART#	DESCRIPTION	PRICE
LVHB14V	1/4" Hosebarb	18.79 S
LVHB38V	3/8" Hosebarb	18.79 S
LVHB12V	1/2" Hosebarb	20.02 S
LVHB34V	3/4" Hosebarb	20.02 S



MICRO HOSEBARB X MALE NPT		
PART#	DESCRIPTION	PRICE
LVHB3812MTV	3/8" Hosebarb x 1/2" Male NPT	20.02 S
LVHB34MTV	3/4" Hosebarb x 3/4" Male NPT	20.02 S
LVHB34100MTV	3/4" Hosebarb x 1" Male NPT	20.02 S



MICRO FEMALE NPT/MANIFOLD		
PART#	DESCRIPTION	PRICE
LV14V	1/4" Female NPT	18.79 S
LV38V	3/8" Female NPT	18.79 S
LV12V	1/2" Female NPT	20.02 S
LV12SLV	1/2" Side Load	24.54 S



MICRO FEMALE/MALE NPT		
PART#	DESCRIPTION	PRICE
LV14MTV	1/4" Female x Male NPT	18.79 S
LV38MTV	3/8" Female x Male NPT	18.79 S
LV3812MTV	3/8" Female x 1/2" Male NPT	20.02 S
LV12MTV	1/2" Female x Male NPT	20.02 S
LV12100MTV	1/2" Female x 1" Male NPT	20.02 S

LOCKING MICRO VALVES



MICRO VALVES W/LOCKING HANDLE		
PART#	DESCRIPTION	PRICE
LV3812MTLV	3/8" Female x 1/2" Male NPT	29.39 S
LV12SLLV	1/2" Side Load	33.85 S
LV12100MTLV	1/2" Female x 1" Male NPT	29.39 S
LVHB34MTLV	3/4" Hose Barb x 3/4" Male NPT	29.39 S
LVHB34100MTLV	3/4" Hose Barb x 1" Male NPT	29.82 S

STAINLESS, BRASS & PVC CHECK VALVES

BRASS BALL VALVES
CHROME PLATED TO RESIST CORROSION
TEFLON SEATS & VITON SEALS
RATED AT 300 PSI
LEVER OR BUTTERFLY HANDLE

BRASS BALL VALVE		
PART#	DESCRIPTION	PRICE
90FFB18	1/8" FPT x 1/8" FPT	12.15 S
90FMB18	1/4" FPT x 1/4" MPT	12.15 S
90FFB14	1/4" FPT x 1/4" FPT	10.95 S
90FFL14	1/4" FPT x 1/4" FPT	10.95 S
90FMB14	1/4" FPT x 1/4" MPT	10.95 S
90FML14	1/4" FPT x 1/4" MPT	10.95 S
90FFB38	3/8" FPT x 3/8" FPT	10.95 S
90FFL38	3/8" FPT x 3/8" FPT	10.95 S
90FMB38	3/8" FPT x 3/8" MPT	10.95 S
90FML38	3/8" FPT x 3/8" MPT	10.95 S
90FFB12	1/2" FPT x 1/2" FPT	12.75 S
90FFL12	1/2" FPT x 1/2" FPT	12.75 S
90FMB12	1/2" FPT x 1/2" MPT	12.75 S
90FML12	1/2" FPT x 1/2" MPT	12.75 S
B=BUTTERFLY L-LEVER		



STAINLESS STEEL BALL VALVES
FULL PORT 316 STAINLESS STEEL
VALVE WITH LOCKING HANDLES
RATED AT 1000 PSI



STAINLESS STEEL BALL VALVE		
PART#	SIZE	PRICE
SSBV14	1/4"	28.50 S
SSBV38	3/8"	34.75 S
SSBV12	1/2"	35.95 S
SSBV34	3/4"	46.50 S
SSBV100	1"	65.75 S
SSBV114	1-1/4"	97.50 S
SSBV112	1-1/2"	129.75 S
SSBV200	2"	175.75 S
SSBV300	3"	518.34 S

FULL PORT BRASS BALL VALVES
CHROME PLATED BRASS BALL
TEFLON SEATS & SEALS
RATED AT 600 PSI



BRASS BALL VALVE		
PART#	SIZE	PRICE
BV14BR	1/4"	12.25 S
BV38BR	3/8"	11.70 S
BV12BR	1/2"	17.18 S
BV34BR	3/4"	22.31 S
BV100BR	1"	38.02 S
BV114BR	1-1/4"	68.19 S
BV112BR	1-1/2"	93.29 S
BV200BR	2"	118.39 S
BV300BR	3"	361.41 S

PVC CHECK VALVES



PVC CHECK VALVE			
PART#	INLET SIZE	OUTLET SIZE	PRICE
CV12	1/2" FPT	1/2" FPT	9.00 S
BCV12	1/2" FPT	1/2" FPT	21.65 S
CV34	3/4" FPT	3/4" FPT	11.00 S
CV100	1" FPT	1" FPT	14.50 S
BCV100MT	1" MPT x FPT		22.80 S
BCV100	1" FPT	1" FPT	27.35 S
CV114	1-1/4" FPT	1-1/4" FPT	19.50 S
CV112	1-1/2" FPT	1-1/2" FPT	20.00 S
CV200	2" FPT	2" FPT	25.00 S
BCV221	2"FP FPT	2"FP FPT	37.90 S
BCV300	3" FPT	3" FPT	55.80 S
BCV301	3" FPT	3" FPT	54.99 S

PUSH-IN TUBING FITTINGS



MALE CONNECTOR			
PART#	Tube OD	NPTF	PRICE
JGMC24	1/4"	1/8"	2.97 \$
JGMC44	1/4"	1/4"	3.45 \$
JGMC64	1/4"	3/8"	5.00 \$
JGMC45	5/16"	1/4"	4.00 \$
JGMC65	5/16"	3/8"	5.20 \$
JGMC46	3/8"	1/4"	5.05 \$
JGMC66	3/8"	3/8"	6.55 \$
JGMC86	3/8"	1/2"	8.95 \$
JGMC68	1/2"	3/8"	8.15 \$
JGMC88	1/2"	1/2"	8.55 \$



TEE UNION			
PART#	Run OD	Stem OD	PRICE
JGUT44	1/4"	1/4"	6.75 \$
JGUT55	5/16"	5/16"	6.85 \$
JGUT46	3/8"	1/4"	9.31 \$
JGUT66	3/8"	3/8"	8.30 \$
JGUT68	1/2"	3/8"	10.00 \$
JGUT88	1/2"	1/2"	10.15 \$



TUBE ELBOW BARB CONNECTOR			
PART#	Stem OD	Tube OD	PRICE
JGTEBC44	1/4"	1/4"	3.60 \$
JGTEBC45	1/4"	5/16"	3.99 \$
JGTEBC54	5/16"	1/4"	3.60 \$
JGTEBC55	5/16"	5/16"	3.90 \$
JGTEBC64	3/8"	1/4"	4.19 \$
JGTEBC65	3/8"	5/16"	4.85 \$



ELBOW UNION			
PART#	Tube OD	Tube OD	PRICE
JGUL44	1/4"	1/4"	5.15 \$
JGUL45	5/16"	1/4"	6.30 \$
JGUL55	5/16"	5/16"	6.55 \$
JGUL46	3/8"	1/4"	8.15 \$
JGUL66	3/8"	3/8"	8.15 \$
JGUL68	1/2"	3/8"	9.95 \$
JGUL88	1/2"	1/2"	9.85 \$



STEM ADAPTER			
PART#	Stem OD	NPTF	PRICE
JGSA24	1/4"	1/8"	1.55 \$
JGSA44	1/4"	1/4"	1.55 \$
JGSA45	5/16"	1/4"	1.55 \$
JGSA65	5/16"	3/8"	1.55 \$
JGSA46	3/8"	1/4"	1.95 \$
JGSA66	3/8"	3/8"	2.20 \$
JGSA68	1/2"	3/8"	3.50 \$
JGSA88	1/2"	1/2"	3.50 \$



FEMALE ADAPTER			
PART#	Tube OD	NPTF	PRICE
JGFC24	1/4"	1/8"	7.55 \$
JGFC44	1/4"	1/4"	7.30 \$
JGFC25	5/16"	1/8"	7.50 \$
JGFC45	5/16"	1/4"	7.50 \$
JGFC26	3/8"	1/8"	7.30 \$
JGFC64	3/8"	1/4"	7.50 \$



MALE ELBOW			
PART#	Tube OD	NPTF	PRICE
JGME24	1/4"	1/8"	4.65 \$
JGME44	1/4"	1/4"	5.30 \$
JGME64	1/4"	3/8"	5.99 \$
JGME45	5/16"	1/4"	5.20 \$
JGME65	5/16"	3/8"	5.20 \$
JGME46	3/8"	1/4"	6.55 \$
JGME66	3/8"	3/8"	8.95 \$
JGME68	1/2"	3/8"	8.45 \$
JGME88	1/2"	1/2"	8.45 \$



TUBE BARB CONNECTOR			
PART#	Stem OD	Tube OD	PRICE
JGTBC44	1/4"	1/4"	2.30 \$
JGTBC45	1/4"	5/16"	2.30 \$
JGTBC54	5/16"	1/4"	2.60 \$
JGTBC55	5/16"	5/16"	2.60 \$
JGTBC56	5/16"	3/8"	3.31 \$
JGTBC64	3/8"	1/4"	3.20 \$
JGTBC66	3/8"	3/8"	3.80 \$
JGTBC68	3/8"	1/2"	4.85 \$
JGTBC86	1/2"	3/8"	3.85 \$
JGTBC88	1/2"	1/2"	4.75 \$



TWO WAY DIVIDER			
PART#	Tube In	Tube Out	PRICE
JGTWD44	1/4"	1/4"	6.80 \$
JGTWD55	5/16"	5/16"	6.80 \$
JGTWD66	3/8"	3/8"	7.00 \$
JGTWD88	1/2"	1/2"	7.00 \$



TUBE END STOP		
PART#	Tube OD	PRICE
JGTES4	1/4"	2.80 \$
JGTES5	5/16"	2.80 \$
JGTES6	3/8"	2.80 \$
JGTES8	1/2"	2.80 \$

PUSH-IN TUBING FITTINGS



CROSS		
PART#	Tube OD	PRICE
JGCR4	1/4"	9.50 S
JGCR5	5/16"	9.50 S
JGCR6	3/8"	9.50 S
JGCR8	1/2"	9.50 S



CHECK VALVE			
PART#	Tube OD	Tube OD	PRICE
CV4	1/4"	1/4"	18.75 R
CV5	5/16"	5/16"	18.75 R
CV6	3/8"	3/8"	21.25 R
CV8	1/2"	1/2"	22.75 R



VALVE UNION CONNECTOR			
PART#	Tube OD	Tube OD	PRICE
CVUC4	1/4"	1/4"	17.75 R
CVUC6	3/8"	3/8"	19.75 R



UNION CONNECTOR			
PART#	Tube OD	Tube OD	PRICE
JGUC44	1/4"	1/4"	4.65 S
JGUC45	5/16"	1/4"	4.70 S
JGUC55	5/16"	5/16"	4.70 S
JGUC46	3/8"	1/4"	6.15 S
JGUC56	3/8"	5/16"	6.15 S
JGUC66	3/8"	3/8"	6.30 S
JGUC68	1/2"	3/8"	7.40 S
JGUC88	1/2"	1/2"	7.30 S



TUBE CUTTER		
PART#		PRICE
44103218		13.95 R
REPLACEMENT BLADES		
PART#		PRICE
44103219	5/PACK	6.95 R



HAND VALVE UNION			
PART#	Tube OD	Tube OD	PRICE
HVUC4	1/4"	1/4"	13.75 S
HVUC6	3/8"	3/8"	13.00 S
HVUC8	1/2"	1/2"	24.93 S



1181



1182

CONNECTOR MODEL 1181		
PART#	SIZE	PRICE
1181	1/8"	4.04 R
UNION MODEL 1182		
PART#	SIZE	PRICE
1182	1/8"	5.83 R



PART#	DESCRIPTION	PSI	SIZE	OPENING	PRICE
LVPL14V	1/4" Female NPT Micro Valve	150	1/4"	3/8"	26.58 S
LVPL38V	3/8" Female NPT Micro Valve	150	3/8"	3/8"	26.58 S
LVPL38MPTV	3/8" Female x 3/8" NPT Micro Valve	150	3/8"	3/8"	27.20 S
LVPL3814MPTV	3/8" Female x 1/4" NPT Micro Valve	150	1/4"	3/8"	27.20 S
LVPL12V	1/2" Female NPT Micro Valve	150	1/2"	15/32"	34.54 S

LINEAR GAUGE TUBING			
PART#	DESCRIPTION	Price/Foot	Price/Roll
LGT18	1/8" Linear Gauge Tubing	0.57 R	
LGT14	1/4" Linear Gauge Tubing 250 PSI (100')	0.37 R	35.00 S
LGT516	5/16" Linear Gauge Tubing 150 PSI (100')	0.46 R	39.95 S
LGT38	3/8" Linear Gauge Tubing 170 PSI (100')	0.46 R	39.95 S
LGT12	1/2" Linear Gauge Tubing 170 PSI (100')	0.55 R	53.95 S

HOSE

*Add R to part number when ordering rolls.

PVC WATER SUCTION HOSE



A PVC suction discharge hose for water, light chemicals and pumping service in the agricultural, rental, construction, marine and irrigation industries.

A smooth bore hose made of flexible abrasion resistant extruded clear PVC with a rigid PVC helix.

Standard roll length 100'.

PVC WATER SUCTION HOSE				
Part#	Size ID	PSI	Price/Ft.	Price/Roll
PVC34	3/4"	100	.97 R	94.35 S
PVC100	1"	90	1.10 R	107.80 S
PVC114	1-1/4"	70	1.35 R	128.70 S
PVC112	1-1/2"	70	1.70 R	161.70 S
PVC200	2"	60	2.40 R	234.30 S
PVC212	2-1/2"	60	3.95 R	390.50 S
PVC300	3"	50	5.10 R	470.80 S
PVC400	4"	45	8.95 R	858.50 S
PVC500	5"	45	15.75 R	1,650.00 S
PVC600	6"	35		

EPDM FERTILIZER SOLUTION SUCTION HOSE



A EPDM with polyethylene helix reinforcement that serves as a scuff strip. A light weight, rugged, flexible suction and discharge hose for the agricultural, rental, mining and construction industries.

Hose is resistant to diluted herbicides & fertilizers and has good flexibility even in cold weather.

Standard roll length 100'.

EPDM FERTILIZER SOLUTION SUCTION HOSE				
Part#	Size ID	PSI	Price/Ft.	Price/Roll
BEE100	1"	80	2.25 R	207.00 S
BEE114	1-1/4"	70	2.55 R	236.00 S
BEE112	1-1/2"	60	2.85 R	265.00 S
BEE200	2"	60	4.07 R	378.00 S
BEE212	2-1/2"	50	6.98 R	645.00 S
BEE300	3"	50	8.06 R	745.00 S
BEE400	4"	45	16.55 R	1,501.00 S
BEE600	6"	35	25.20 R	2,257.00 S

REINFORCED EPDM FERTILIZER SOLUTION SUCTION HOSE

A reinforced, flexible suction & discharge hose. Hose is resistant to diluted pesticides and has good flexibility even in cold weather.

Standard roll length 100'.

REINFORCED EPDM FERTILIZER SOLUTION SUCTION HOSE				
Part#	Size ID	PSI	Price/Ft.	Price/Roll
EFSH112	1-1/2"	100	5.20 R	472.00 S
EFSH200	2"	60	6.70 R	619.00 S
EFSH300	3"	50	11.50 R	1,080.00 S
EFSH400	4"	45	11.25 R	1,525.00 S

EPDM RUBBER WIRE SUCTION HOSE



A lightweight and flexible hose for the agricultural and industrial industries. The smooth EPDM tube is adaptable as a material handling, vacuum or ducting hose.

Spiral helix wire adds flexibility and crush resistance. EPDM cover is resistant to abrasion and rough handling conditions.

Standard roll length 100'.

EPDM RUBBER WIRE SUCTION HOSE				
Part#	Size ID	PSI	Price/Ft.	Price/Roll
RWS100	1"	150	6.25 R	615.00 S
RWS114	1-1/4"	150	5.75 R	525.00 S
RWS112	1-1/2"	150	7.65 R	710.00 S
RWS200	2"	120	7.95 R	755.00 S
RWS212	2-1/2"	100	10.95 R	1,060.00 S
RWS300	3"	85	12.75 R	1,180.00 S
RWS312	3-1/2"	85	16.75 R	1,475.00 S
RWS400	4"	75	19.25 R	1,775.00 S
RWS600	6"	50	31.50 R	2,950.00 S

DUE TO THE VOLATILITY OF THE PETROLEUM MARKET, HOSE PRICES ARE SUBJECT TO CHANGE.

**Add R to part number when ordering rolls.*

CHEM-FLEX X-LINK CHEMICAL SUCTION HOSE



Recommended for general undiluted chemical transfer.

Cover is EPDM that is abrasion and oil resistant. Tube is two plies of synthetic textile cord and a wire helix.

Standard roll length 100'.

CHEMFLEX X-LINK CHEMICAL SUCTION HOSE				
Part#	Size ID	PSI	Price/Ft	Price/Roll
XLINK114	1-1/4"	200	11.50 R	Call for Price
XLINK112	1-1/2"	200	12.75 R	Call for Price
XLINK200	2"	200	14.50 R	Call for price
XLINK300	3"	150	16.75 R	Call for Price

ULTRA-CHEM CHEMICAL TRANSFER HOSE



Recommended for use in pressure, gravity & suction service.

Cover is EPDM that is abrasion and chemical resistant. Tube is UHMWPE backed with a compatible rubber layer. Reinforcement is two plies of synthetic textile cord and a dual wire helix.

Standard roll length 100'.

ULTRA-CHEM CHEMICAL TRANSFER HOSE				
Part#	Size ID	PSI	Price/Ft	Price/Roll
UCH100	1"	250	22.75 R	1,950.00 S
UCH114	1-1/4"	250	23.75 R	2,002.00 S
UCH112	1-1/2"	250	25.75 R	2,250.00 S
UCH200	2"	250	25.00 R	2,010.00 S
UCH300	3"	200	37.50 R	3,300.00 S
UCH400	4"	150	48.75 R	4,300.00 S

RUBBER SPRAY HOSE



Black EPDM rubber with a 2 or 4 spiral yarn reinforced tube. General purpose, flexible pressure hose for various agricultural, construction and industrial purposes.

Standard roll length 100'.

RUBBER SPRAY HOSE - 2 SPIRAL POLYESTER YARN				
Part#	Size ID	PSI	Price/Ft	Price/Roll
RSH14	1/4"	200	.69 R	65.40 S
RSH38	3/8"	200	.85 R	77.75 S
RSH12	1/2"	200	1.21 R	110.75 S
RSH58	5/8"	200	1.55 R	142.15 S
RSH34	3/4"	200	1.78 R	156.05 S
RSH100	1"	200	2.41 R	228.65 S
RSH200	2"	200	6.85 R	Call for Price

RUBBER SPRAY HOSE - 4 SPIRAL POLYESTER YARN				
Part#	Size ID	PSI	Price/Ft	Price/Roll
RSH14HD	1/4"	300	1.35 R	86.00 S
RSH38HD	3/8"	300	1.40 R	121.00 S
RSH12HD	1/2"	300	1.82 R	169.00 S
RSH58HD	5/8"	300	2.25 R	209.00 S
RSH34HD	3/4"	300	2.30 R	213.00 S
RSH100HD	1"	200	3.36 R	311.00 S
RSH114HD	1-1/4"	150	4.90 R	442.00 S
RSH112HD	1-1/2"	150	5.85 R	535.00 S

DUE TO THE VOLATILITY OF THE PETROLEUM MARKET, HOSE PRICES ARE SUBJECT TO CHANGE.

HOSE

**Add R to part number when ordering rolls.*

PVC SIGHT GAUGE HOSE



Clear, flexible and lightweight tubing that provides full-flow viewing.
 Temperature range: -20F to 150F.
Standard roll length 100' for 1/4" to 1"
50' for 1-1/4" to 2".

PVC SIGHT GAUGE HOSE				
Part#	Size ID	PSI	Price/Ft	Price/Roll
SGH316	3/16"		.24 R	21.00 S
SGH14	1/4"	70	.58 R	56.00 S
SGH14HD	1/4"	70	.63 R	60.00 S
SGH38	3/8"	60	.83 R	77.00 S
SGH12	1/2"	45	1.00 R	95.00 S
SGH58	5/8"	40	1.09 R	105.00 S
SGH34	3/4"	35	1.28 R	125.00 S
SGH100	1"	25	1.64 R	158.00 S
SGH114	1-1/4"	40	3.50 R	325.00 S
SGH112	1-1/2"	35	4.85 R	580.00 S
SGH200	2"	30	6.90 R	650.00 S

BRAIDED VINYL TUBING



PVC sight gauge tubing with braided reinforcing. Use when a clear hose needing higher working pressure and reinforcement is required.

Standard roll length: 100' for 1/4" to 3/4"
100' for 1".

BRAIDED VINYL TUBING				
Part#	Size ID	PSI	Price/Ft	Price/Roll
BSGH14	1/4"	250	.52 R	48.00 S
BSGH38	3/8"	225	.79 R	76.00 S
BSGH12	1/2"	200	.94 R	88.50 S
BSGH58	5/8"	200	1.23 R	119.00 S
BSGH34	3/4"	150	1.47 R	141.50 S
BSGH100	1"	125	2.09 R	195.00 S

Profile formulated to comply with FDA requirements. Clear Polyvinyl Chloride reinforced with a synthetic cord.
 Temperature range: -20F to 150F.

EVA TUBING



Used in agricultural, lawn and chemical transfer. Handles common herbicides and insecticide solutions. Used for the application of anhydrous ammonia, aqua ammonia, herbicides, phosphates and all liquid fertilizers.

Standard roll length: 500' for 1/4" to 1/2"
300' for 1/2"
250' for 5/8" to 3/4"
100' for 1"

Ethyl vinyl acetate plastic tubing.
 Good chemical and weather resistance.
 Temperature range: -50F to 125F.

EVA TUBING				
Part#	Size ID	PSI	Price/Ft	Price/Roll
EVA14	1/4"		.38 R	180.00 S
EVA38	3/8"	75	.61 R	271.00 S
EVA12	1/2"	75	.75 R	
EVA12R3 (300')	1/2"	75		202.00 S
EVA12R5 (500')	1/2"	75		316.00 S
EVA58	5/8"	75	1.02 R	225.00 S
EVA34	3/4"	60	1.29 R	
EVA34R (100')	3/4"	60		126.00 S
EVA34R2 (200')	3/4"	60		252.00 S
EVA34R2.5 (250')	3/4"	60		315.00 S
EVA100	1"	60	1.64 R	
EVA100R (100')	1"	60		147.00 S
EVA100R2 (200')	1"	60		294.00 S

DUE TO THE VOLATILITY OF THE PETROLEUM MARKET, HOSE PRICES ARE SUBJECT TO CHANGE.

**Add R to part number when ordering rolls.*

BRAIDED EVA TUBING



Used in agricultural, lawn and chemical transfer. Handles common herbicides and insecticide solutions. Used for the application of anhydrous ammonia, aqua ammonia, herbicides, phosphates and all liquid fertilizers.
Standard roll length: 300' for 1/4" to 3/4" 200' for 1"

BRAIDED EVA TUBING				
Part#	Size ID	PSI	Price/Ft	Price/Roll
BEAV14	1/4"	250	.99 R	265.00 S
BEVA38	3/8"	225	1.35 R	298.00 S
BEVA12	1/2"	200	1.52 R	375.00 S
BEVA58	5/8"	200	2.75 R	581.00 S
BEVA34	3/4"	150	2.40 R	550.00 S
BEVA100	1"	125	3.50 R	690.00 S

Ethyl vinyl acetate plastic tubing. Good chemical and weather resistance.
 Temperature range: -50F to 125F.

PVC DISCHARGE HOSE



Discharge hose for water, light chemicals and the pumping service in the agricultural, rental, construction, marine and irrigation industries. Strong, lightweight, non-water-absorbing and mildew-proof hose that rolls up flat for easy storage.
Standard roll length 300'.

PVC DISCHARGE HOSE				
Part#	Size ID	PSI	Price/Ft	Price/Roll
PVCD114	1-1/4"	80	1.04 R	298.00 S
PVCD112	1-1/2"	75	.81 R	219.00 S
PVCD200	2"	70	.94 R	257.00 S
PVCD212	2-1/2"	60	2.16 R	475.00 S
PVCD300	3"	55	1.65 R	452.00 S
PVCD400	4"	45	2.85 R	779.00 S
PVCD600	6"	40	5.35 R	1240.00 S
PVCD800	8"	35	SPECIAL ORDER	

Tube and cover are PVC reinforced with 3 ply polyester yarns.
 Temperature range: -5F to 130F.

PVC HEAVY-DUTY DISCHARGE HOSE



Discharge hose for water, light chemicals and the pumping service in the agricultural, rental, construction, marine and irrigation industries. Strong, lightweight, non-water-absorbing and mildew-proof hose that rolls up flat for easy storage.
Standard roll length 300'.

PVC HEAVY-DUTY DISCHARGE HOSE				
Part#	Size ID	PSI	Price/Ft	Price/Roll
PVCDHD112	1-1/2"	150	1.82 R	505.00 S
PVCDHD200	2"	150	2.30 R	635.00 S
PVCDHD212	2-1/2"	150	3.80 R	792.00 S
PVCDHD300	3"	150	5.95 R	1,560.00 S
PVCDHD400	4"	150	7.60 R	1,950.00 S
PVCDHD600	6"	150	11.95 R	3,250.00 S
PVCDHD800	8"	115	SPECIAL ORDER	

Tube and cover are PVC reinforced with 3 ply polyester yarns.
 Temperature range: -5F to 130F

DUE TO THE VOLATILITY OF THE PETROLEUM MARKET, HOSE PRICES ARE SUBJECT TO CHANGE.

HOSE

**Add R to part number when ordering rolls.*

PVC SPRAY HOSE



PVC high pressure spray hose for use with fertilizer, herbicides and insecticides in both agricultural, lawn spray service, carpet cleaning and roof cleaning industries.

Standard roll length 300'.

PVC SPRAY HOSE				
Part#	Size ID	PSI	Price/Ft	Price/Roll
YPVC38	3/8"	600	1.29 R	357.00 S
YPVC12	1/2"	600	1.80 R	498.00 S
YPVC58	5/8"	600	1.82 R	515.00 S
YPVC34	3/4"	600	2.45 R	720.00 S

PVC Tube and cover, co-extrude with single braided synthetic cord. Black tube and yellow ribbed nonmarking cover, lightweight, flexible abrasion resistant hose.

620 WD DUCT HOSE



General ducting and blower applications.

For use with lightweight abrasives.

Construction : EPDM rubber, metal wire helix, smooth bore, slightly corrugated OD.

Rated for -40 to 220 degrees. Abrasion resistant yet very flexible.

100% rubber sidewall (no fabric).

620 WD DUCT HOSE			
Part#	Size ID	Working PSI	Price/Ft
620WD3	3"	12	6.25 P
620WD4	4"	9	7.50 P
620WD5	5"	7	10.25 P
620WD6	6"	6	11.85 P
620WD7	7"	5	13.75 P
620WD8	8"	4	15.25 P
620WD10	10"	3	20.50 P
620WD12	12"	3	24.50 P

DUE TO THE VOLATILITY OF THE PETROLEUM MARKET, HOSE PRICES ARE SUBJECT TO CHANGE.

UNIVERSAL HOSE REEL

ELECTRIC:

PART# HR100ESS (1") \$1,074.00 NET

PART# HR200ESS (2") \$1,299.00 NET

PART# HR300ESS (3") \$1,839.00 NET

FEATURES:

SPECIAL SEALED SWIVEL

SWIVEL 2" FULL PORT

POSITIVE TRANSPORT LOCK

LARGE HOSE CAPACITY

(65' - 2" OR 105' - 1-1/2")

EASY RETRIEVE (3-1 REDUCTION)

MOUNTS IN MINUTES

STAINLESS STEEL SWIVEL

MANUAL:

PART# HR200SS (2") \$931.00 Y

ADVANTAGES:

CRANK MOUNTS ON EITHER SIDE

LOAD FROM THE ROAD

DOUBLE OR TRIPLE HOSE LIFE

EXCELLENT HOSE STORAGE

REDUCE OPERATOR FATIGUE

STAINLESS STEEL SWIVEL



HOSE CLAMPS



T-BOLT HOSE CLAMPS				
Part#	Min Dia	Max Dia	Size	Price
TBC150	1-3/8"	1-9/16"	1-1/2"	5.75 R
TBC175	1-5/8"	1-13/16"	1-3/4"	5.75 R
TBC188	1-3/4"	1-15/16"	1-7/8"	5.75 R
TBC200	1-7/8"	2-1/16"	2"	5.75 R
TBC225	2-1/8"	2-5/16"	2-1/4"	5.75 R
TBC238	2-1/4"	2-7/16"	2-3/8"	5.75 R
TBC250	2-3/8"	2-9/16"	2-1/2"	5.95 R
TBC256	2-11/32"	2-5/8"	2-9/16"	5.95 R
TBC263	2-13/16"	2-11/16"	2-5/8"	5.95 R
TBC275	2-17/32"	2-13/16"	2-13/16"	5.95 R
TBC300	2-25/32"	3-1/16"	3"	5.95 R
TBC312	2-29/32"	3-3/16"	3-1/8"	5.95 R
TBC325	3-1/32"	3-5/16"	3-1/4"	5.95 R
TBC350	3-9/32"	3-9/16"	3-1/2"	5.95 R
TBC375	3-17/32"	3-13/16"	3-3/4"	5.95 R
TBC400	3-25/32"	4-1/16"	4"	5.95 R
TBC450	4-9/32"	4-9/16"	4-1/2"	6.95 R
TBC475	4-17/32"	4-13/16"	4-3/4"	6.95 R
TWO BARREL HARDWARE CLAMPS				
Part#	Min. Dia.	Max. Dia.	Torque	Price
BC090	0.91"	0.98"	75 in-lbs	14.70 S
BC114	1.14"	1.22"	75 in-lbs	14.33 S
BANJO SUPER CLAMP				
Part#	Min. Dia.	Max. Dia.	Torque	Price
TC120	1.20"	1.34"	75 in-lbs	9.83 S
TC130	1.30"	1.70"	75 in-lbs	10.82 S
TC343	3.50"	3.82"	125 in-lbs	11.11 S

Skin Saver

Protect users from cuts and scrapes.



SKIN SAVER			
PART#	USE ON	BAG QTY	PRICE
KSS500-10	Hose Clamp 1/2" Band Width	10	2.16 R
KSS500-100	Hose Clamp 1/2" Band Width	100	21.60 R
KSS625-10	Hose Clamp 5/8" Band Width	10	2.20 R
KSS625-50	Hose Clamp 5/8" Band Width	50	11.00 R
KSS562-100	Flange Clamp	10	2.25 R
KSS562-100	Flange Clamp	100	22.50 R

WORM GEAR HOSE CLAMPS			
Part#	Min Dia	Max Dia	Price
HCSS006	3/8"	7/8"	1.08 S
HCSS008	7/16"	1"	1.08 S
HCSS010	9/16"	1-1/16"	1.08 S
HCSS012	9/16"	1-1/4"	1.09 S
HCSS016	11/16"	1-1/2"	1.16 S
HCSS020	3/4"	1-3/4"	1.16 S
HCSS024	1-1/16"	2"	1.16 S
HCSS028	1-5/16"	2-1/4"	1.16 S
HCSS036	1-13/16"	2-3/4"	1.25 S
HCSS048	2-9/16"	3-1/2"	1.60 S
HCSS052	1-7/8"	3-3/4"	1.60 S
HCSS056	3-1/16"	4"	1.60 S
HCSS064	2-1/2"	4-1/2"	1.90 S
HCSS072	3-1/8"	5"	2.10 S
HCSS096	4-3/4"	6-1/2"	2.75 S
HCSS104	4"	7"	2.95 S
Micro Worm Gear Hose Clamps			
Part#	Min Dia	Max Dia	Price
HCSS5S	7/16"	11/16"	0.73 S
HCSS6S	1/4"	5/8"	0.73 S
HCSS8S	7/16"	1"	0.73 S



PRESSURE SEAL HD CLAMP			
Part#	Min Dia	Max Dia	Price
PC238	1.62"	2.12"	5.50 R
PC275	2.00"	2.50"	5.50 R
PC288	2.12"	2.62"	5.50 R
PC300	2.25"	2.75"	5.75 R
PC325	2.50"	3.00"	5.75 R
PC350	2.75"	3.25"	5.75 R
PC375	2.88"	3.50"	5.75 R
PC400	3.12"	3.75"	5.75 R
PC425	3.31"	4.00"	5.75 R
PC450	3.44"	4.25"	5.75 R
PC512	4.06"	4.87"	6.25 R

INSPECTION AND CARE OF ANHYDROUS AMMONIA HOSE

IMPORTANT - READ CAREFULLY

Anhydrous Ammonia hose has a limited life and the user must be alert to signs of impending failure. Periodic inspection and testing, as described in Rubber Manufacturers Association (RMA) publication IP-11-12, is recommended to detect signs indicating hose deterioration or loss of performance before conditions leading to malfunction or failure are reached.

All new hose assemblies should be inspected prior to use to determine if they have been damaged in storage or shipment. Hose subjected to severe usage - for example, dragged over sharp rock surfaces, or sharply bent in storage or continually exposed to weather - will deteriorate more rapidly than carefully handled hose. The hose should be visually inspected each day before use.

INSPECTION PROCEDURE:

Lay out the full length of the hose in a clean and preferably dry area. Inspect the outside cover of the hose for blistering, excessive abrasion or cuts, and coupling slippage. This inspection will be made when the hose is not under pressure.

#1

Cuts in hose cover which expose or damage the reinforcement are **cause for immediate replacement**.

Small cuts, nicks or gouges in the cover which do not go completely through the cover are not cause for replacement of the hose. Hose strength is controlled by plies of reinforcement, and for this reason, damage in this area cannot be tolerated.

Note: Pricking the hose cover is necessary for satisfactory hose performance. A uniformly pricked cover should not be viewed with alarm.

#2

Damaged to the textile or wire braid is cause for immediate hose replacement. Wire braid reinforced hose that has been kinked or flattened, so as to permanently deform the wire braid in the depressurized state, **shall be removed from service**.

#3

Blistered or loose outer cover is **cause for immediate hose replacement**.

#4

Examine couplings for slippage. **Only permanently attached fittings are to be used with anhydrous ammonia hose. Bolt on or clamp on type fittings must not be used.**

WARNING:

A failure in service can result in injury to personnel or damage to property. Do not use at temperatures or pressures above those recommended by Parker Dayco. Anhydrous ammonia is extremely volatile - and poisonous - in both liquid and gaseous (vapor) states. Contact with either state of anhydrous ammonia will burn skin and is especially damaging to the eyes and lungs. Improper hose applications or failure to inspect the hose may lead to life-threatening situations, poisonous gas leakages, fires or explosions. Do not use anhydrous ammonia hose for LP gas, natural gas or refrigeration applications. Do not use with male swivel couplings. Do not use LP gas hose for anhydrous ammonia applications.

NOTE: See price sheet for factory coupled assemblies.

ASSEMBLIES ARE AVAILABLE WITH STAINLESS STEEL OR NYLON REINFORCEMENT WITH TWO M X M CRIMP-ON FITTINGS. APACHE COUPLED HOSES CARRY A PRORATED WARRANTY.

NOTE: Warranty on bulk anhydrous ammonia hose is valid **ONLY** when coupled by a Parker Dayco certified coupler, using Parker Dayco specified couplings.

ANHYDROUS AMMONIA HOSE

Anhydrous ammonia hose designed to handle NH3 to 350psi working pressure with 5:1 safety factor (175psi minimum burst).

Degradation resistant nylon reinforcement provided flexibility with high tensile strength.

Synthetic cover provides excellent ozone and abrasion resistance.

Compatible with N-Serve when used in recommended concentrations.

Meets or exceeds RMA/TFI/ANSI.

Warning:

For anhydrous ammonia use only. DO NOT use LP, natural gas or refrigeration applications. DO NOT use with male swivel couplings.

Tube: Permeation resistant synthetic compound.

Cover: Perforated with green stripe.

Reinforcement: Multiple nylon braids.

Branding: (Side 1 embossed) Dayco USA 7262 Nylon Anhydrous Ammonia - (mfg year) - Remove no later that (year) - 350psi MAXWP RMA (s/n) - Caution Anhydrous Ammonia Use Only. (Side 2) Green identification stripe.



NH3 HOSE ASSEMBLIES

NH3 HOSE ASSEMBLIES					NH3 HOSE ASSEMBLIES				
1" NH3 HOSE w/CRIMPED 1" MPT END					1-1/4" NH3 HOSE w/CRIMPED 1-1/4" MPT ENDS				
Part#	Size ID	Length	PSI	Price	Part#	Size ID	Length	PSI	Price
AAHA100-3	1"	3'	350	78.00 R	AAHA114-3	1-1/4"	3'	350	165.00 R
AAHA100-5	1"	5'	350	105.00 R	AAHA114-5	1-1/4"	5'	350	183.00 R
AAHA100-8	1"	8'	350	138.00 R	AAHA114-8	1-1/4"	8'	350	233.00 R
AAHA100-10	1"	10'	350	170.00 R	AAHA114-10	1-1/4"	10'	350	285.00 R
AAHA100-12	1"	12'	350	185.00 R	AAHA114-12	1-1/4"	12'	350	305.00 R
AAHA100-15	1"	15'	350	222.00 R	AAHA114-15	1-1/4"	15'	350	376.00 R
AAHA100-18	1"	18'	350	265.00 R	AAHA114-20	1-1/4"	20'	350	525.00 R
					AAHA114-25	1-1/4"	25'	350	710.00 R

DUE TO THE VOLATILITY OF THE PETROLEUM MARKET, HOSE PRICES ARE SUBJECT TO CHANGE.

PRESSURE GAUGES & ACCESSORIES

ANHYDROUS AMMONIA GAUGE			
Part#	Range	Dial Size	Price
AAG60-212	0-60 PSI	2-1/2"	21.56 S
AAG60-400	0-60 PSI	4"	42.38 S
AAG160-212	0-160 PSI	2-1/2"	21.56 S
AAG160-400	0-160 PSI	4"	42.38 S
AAG400-212	0-400 PSI	2-1/2"	21.56 S
AAG400-400	0-400 PSI	4"	42.38 S



ANHYDROUS AMMONIA

BACK MOUNT GAUGE			
Part#	Range	Dial Size	Price
BMSG30-112	0-30 PSI	1-1/2"	15.95 S
BMSG60-200	0-60 PSI	2"	19.95 S
BMSG60-212	0-60 PSI	2-1/2"	22.50 S
BMSG100-200	0-100 PSI	2"	19.95 S
BMSG100-212	0-100 PSI	2-1/2"	22.50 S
BMSG160-200	0-160 PSI	2"	20.95 S
BMSG200-212	0-200 PSI	2-1/2"	22.50 S



BACK MOUNT GAUGE

GLYCERIN FILLED GAUGE			
Part#	Range	Dial Size	Price
GSG15-400SS	15 PSI	4"	99.75 S
GSG60-212	60 PSI	2-1/2"	22.50 S
GSG60-400	60 PSI	4"	66.11 S
GSG60SS-212	60 PSI	2-1/2"	54.90 S
GSG60SS-400	60 PSI	4"	99.75 S
GSG100-212	100 PSI	2-1/2"	22.50 S
GSG100-400	100 PSI	4"	66.11 S
GSG100SS-212	100 PSI	2-1/2"	54.90 S
GSG100SS-400	100 PSI	4"	99.75 S
GSG150SS-212	150 PSI	2-1/2"	54.90 S
BMGSG160-400*	160 PSI	4"	66.11 S
GSG160-212	160 PSI	2-1/2"	22.50 S
GSG160-400	160 PSI	4"	66.11 S
GSG160SS-212	160 PSI	2-1/2"	54.90 S
GSG200-212	200 PSI	2-1/2"	22.50 S
GSG200-400	200 PSI	4"	66.11 S
GSG300-212	300 PSI	2-1/2"	22.50 S
GSG300SS-212	300 PSI	2-1/2"	54.90 S
GSG300SS-400	300 PSI	4"	99.75 S
GSG400-212	400 PSI	2-1/2"	22.50 S
GSG400-400	400 PSI	4"	66.11 S
GSG400SS-212	400 PSI	2-1/2"	54.90 S
GSG1000-212	1000 PSI	2-1/2"	22.50 S
GSG1500SS-212	1500 PSI	2-1/2"	54.90 S
GSG3000-212	3000 PSI	2-1/2"	22.50 S



GLYCERIN FILLED



SPRAYER GAUGE

SPRAYER GAUGE			
Part#	Range	Dial Size	Price
SG30-212	30 PSI	2-1/2"	11.67 S
SG60-200	60 PSI	2"	9.50 S
SG60-212	60 PSI	2-1/2"	11.67 S
SG60-400	60 PSI	4"	24.26 S
SG100-200	100 PSI	2"	9.50 S
SG100-212	100 PSI	2-1/2"	11.67 S
SG100-400	100 PSI	4"	24.26 S
SG160-112	160 PSI	1-1/2"	9.50 S
SG160-200	160 PSI	2"	9.50 S
SG160-212	160 PSI	2-1/2"	11.67 S
SG160-400	160 PSI	4"	24.26 S
SG200-212	200 PSI	2-1/2"	11.67 S
SG200-400	200 PSI	4"	24.26 S
SG300-200	300 PSI	2"	11.67 S
SG300-212	300 PSI	2-1/2"	11.67 S
SG400-212	400 PSI	2-1/2"	11.67 S
SG400-400	400 PSI	4"	24.26 S



VACUUM GAUGE

VACUUM GAUGE			
Part#	Range	Dial Size	Price
VG30-400	30 PSI	4"	31.20 S

REDUCING COUPLER			
Part#	FPT	MPT	Price
MF1814B	1/4"	1/8"	3.98 R



HYPRO LINE STRAINERS



**HYPRO POLYPROPYLENE STRAINERS
HAVE A STAINLESS STEEL SCREEN AND EPDM GASKETS.
POLYPROPYLENE IS MOST RESISTANT TO ACIDS.
RATING: 80 PSI @ 70 DEGREES F.**



HYPRO POLYPROPYLENE LINE STRAINERS			
Part#	NPT Thread	Mesh	Price
3350-0085A	1/4"F & 1/2"M	20ss	13.00 \$
3350-0079A	1/4"F & 1/2"M	50ss	12.23 \$
3350-0082A	1/4"F & 1/2"M	80ss	12.23 \$
3350-0056A	1/2"	20ss	18.64 \$
3350-0046A	1/2"	50ss	18.64 \$
3350-0043A	1/2"	80 on 20ss	20.09 \$
3350-0040A	3/4"	20ss	20.09 \$
3350-0034A	3/4"	50ss	20.09 \$
3350-0035A	3/4"	80 on 20ss	21.55 \$
3350-0057A	1"	20ss	27.37 \$
3350-0058A	1"	50ss	27.37 \$
3350-0059A	1"	80 on 20ss	30.58 \$
3350-0071A	1-1/4"	20ss	30.58 \$
3350-0072A	1-1/4"	50ss	30.58 \$
3350-0073A	1-1/4"	80 on 20ss	39.26 \$
3350-0112A	1-1/2"	20ss	33.28 \$
3350-0113A	1-1/2"	50ss	33.28 \$
3350-0114A	1-1/2"	80 on 20ss	40.04 \$

REPLACEMENT SCREENS	
Part#	Price
3800-0048 (20 Mesh)	6.34 \$
3800-0046 (50 Mesh)	3.12 \$
3800-0047 (80 Mesh)	6.18 \$
3800-0029 (20 Mesh)	9.20 \$
3800-0025 (50 Mesh)	7.77 \$
3800-0026 (80/20 Mesh)	12.48 \$
3800-0029 (20 Mesh)	9.20 \$
3800-0025 (50 Mesh)	7.77 \$
3800-0026 (80/20 Mesh)	12.48 \$
3800-0040 (20 Mesh)	11.50 \$
3800-0041 (50 Mesh)	11.50 \$
3800-0042 (80/20 Mesh)	19.35 \$
3800-0043 (20 Mesh)	11.50 \$
3800-0044 (50 Mesh)	11.50 \$
3800-0045 (80/20 Mesh)	21.89 \$
3800-0065 (20 Mesh)	19.08 \$
3800-0066 (50 Mesh)	16.85 \$
3800-0067 (80/20 Mesh)	27.21 \$

REPLACEMENT PARTS						
ITEM	SIZE AND DESCRIPTION					
	1/4"F & 1/8"M	1/2"	3/4"	1"	1-1/4"	1-1/2"
Cap						
PART#	3351-0035	3351-0037	3351-0038	3351-0040	3351-0041	3351-0042
PRICE	3.30 \$	8.39 \$	8.73 \$	15.30 \$	18.14 \$	21.54 \$
Bowl						
PART#	3351-0036	3351-0039	3351-0039	3351-0043	3351-0043	3351-0043
PRICE	3.06 \$	5.72 \$	5.72 \$	22.45 \$	22.45 \$	22.45 \$
Gasket						
PART#	1700-0090	1700-0091	1700-0091	1700-0092	1700-0092	1700-0092
PRICE	1.13 \$	1.56 \$	1.56 \$	1.96 \$	1.96 \$	1.96 \$

Y-STRAINERS & SCREENS



BANJO Y-LINE STRAINER FEATURES:

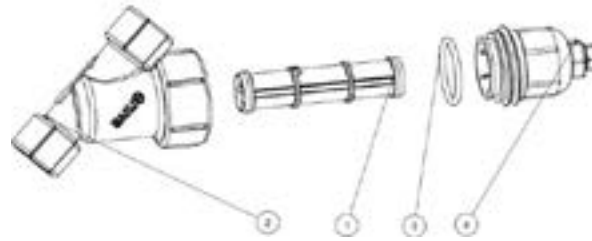
- *MANUFACTURED FROM GLASS REINFORCED POLYPROPYLENE
- *PRECISION MOLDED
- *CORROSION RESISTANT
- *SIZES FROM 1/2" TO 3"
- *6 TO 80 MESH SCREENS
- *CLEAN OUT PLUG ON 1-1/2", 2" & 3"
- *EPDM GASKETS STANDARD
- *PRESSURE RATINGS:
 - 1/2" TO 1-1/4" - 75 PSI
 - 1-1/2" TO 2" - 150 PSI
 - 3" - 75 PSI (SUCTION SIDE ONLY)



Y-LINE STRAINERS			
Part#	Size	Mesh	Price
BLS50-20	1/2"	20	44.95 S
BLS50-40	1/2"	40	40.85 S
BLS50-60	1/2"	60	40.85 S
BLS50-80	1/2"	80	44.95 S
BLS75-20	3/4"	20	40.85 S
BLS75-40	3/4"	40	40.85 S
BLS75-60	3/4"	60	44.95 S
BLS75-80	3/4"	80	44.95 S
BLS100-20	1"	20	44.95 S
BLS100-40	1"	40	40.85 S
BLS100-80	1"	80	44.86 S
BLS125-20	1-1/4"	20	44.95 S
BLS125-40	1-1/4"	40	44.95 S
BLS125-80	1-1/4"	80	49.35 S
BLS150-6	1-1/2"	6	98.91 S
BLS150-12	1-1/2"	12	89.92 S
BLS150-20	1-1/2"	20	89.92 S
BLS150-30	1-1/2"	30	98.91 S
BLS150-50	1-1/2"	50	89.92 S
BLS150-80	1-1/2"	80	98.91 S
BLS150-120	1-1/2"	120	98.91 S
BLS200-6	2"	6	98.91 S
BLS200-12	2"	12	89.92 S
BLS200-20	2"	20	89.92 S
BLS200-30	2"	30	89.92 S
BLS200-50	2"	50	89.92 S
BLS200-80	2"	80	89.92 S
BLS200-120	2"	120	98.91 S

Y-LINE STRAINER REPLACEMENT SCREENS							
ITEM	SIZE & DESCRIPTION						
	1/2"	3/4"	1"	1-1/4"	1-1/2"	2"	3"
6 MESH (WHITE)							
PART#					BLS206	BLS206	
PRICE					56.98 S	56.98 S	
8 MESH							
PART#							BLS308
PRICE							171.55 S
12 MESH (BLACK)							
PART#					BLS212	BLS212	BLS312
PRICE					51.80 S	51.80 S	171.55 S
20 MESH (BEIGE)							
PART#	BLS720	BLS720	BLS120	BLS120	BLS220	BLS220	BLS320
PRICE	28.80 S	28.80 S	28.80 S	28.80 S	51.80 S	51.80 S	155.94 S
30 MESH (YELLOW) ***NEW COLOR - FLAME RED							
PART#					BLS230	BLS230	
PRICE					51.80 S	51.80 S	
40 MESH (BROWN)							
PART#	BLS740	BLS740	BLS140	BLS140			
PRICE	26.18 S	26.18 S	28.80 S	28.80 S			
50 MESH (RED) ***NEW COLOR - GENETIAN BLUE							
PART#			BLS150	BLS150	BLS250	BLS250	BLS350
PRICE			28.80 S	28.80 S	51.80 S	51.80 S	155.94 S
60 MESH (ORANGE) ***NEW COLOR - GENETIAN BLUE							
PART#	BLS760	BLS760					
PRICE	31.45 S	31.45 S					
80 MESH (BLUE) ***NEW COLOR - ZINC YELLOW							
PART#	BLS780	BLS780	BLS180	BLS180	BLS280	BLS280	
PRICE	28.80 S	28.80 S	28.80 S	28.80 S	51.80 S	51.80 S	
120 MESH (BLACK)							
PART#					BLS2120	BLS2120	
PRICE					56.98 S	56.98 S	

Y-STRAINER PARTS, SUCTION BASKET & KLEEN FLO LAKE STRAINER



Y-LINE STRAINER REPLACEMENT PARTS						
ITEM	SIZE & DESCRIPTION					
	1/2"	3/4"	1"	1-1/4"	1-1/2"	2"
Gasket						
PART#	BLS75-G	BLS75-G	BLS100-G	BLS100-G	BLS150-G	BLS150-G
PRICE	3.37 S	3.37 S	4.46 S	4.46 S	4.46 S	4.46 S
Gasket - Viton						
PART#	BLS75-GV	BLS75-GV	BLS100-GV	BLS100-GV	BLS150-GV	BLS150-GV
PRICE	7.07 S	7.07 S	8.15 S	8.15 S	16.15 S	16.15 S
Body, Cap & Gasket						
PART#	BLS50B/C1	BLS75B/C1	BLS100B/C1	BLS125B/C1	BLS150B/C	BLS200B/C
PRICE	22.25 S	22.25 S	22.25 S	22.25 S	49.89 S	49.89 S
Body						
PART#	BLS50-B	BLS75-B	BLS100-B	BLS125-B	BLS150-B	BLS200-B
PRICE	10.37 S	10.37 S	30.06 S	30.06 S	45.35 S	45.35 S
End Cap						
PART#	BLS75-C1	BLS75-C1	BLS100-C1	BLS100-C1	BLS150-C	BLS150-C
PRICE	11.48 S	11.48 S	16.93 S	16.93 S	29.46 S	29.46 S
Drain Plug						
PART#	12723	12723	12777	12777	BLSQ200-PL	BLSQ200-PL
PRICE	2.35 S	2.35 S	3.28 S	3.28 S	3.81 S	3.81 S
EPDM O-ring for Drain Plug						
PART#	12724	12724	UV15163	UV15163	BLSQ200-R	BLSQ200-R
PRICE	1.08 S	1.08 S	1.20 S	1.20 S	1.20 S	1.20 S
Viton O-ring for Drain Plug						
PART#			UV15163V	UV15163V	BLSQ200-RV	BLSQ200-RV
PRICE			4.90 S	4.90 S	1.92 S	1.92 S

KLEEN FLO LAKE STRAINER



THE KLEEN FLO LAKE STRAINER OUTLET IS 2" MNPT, THE SCREEN IS MADE OF RUSTPROOF FIBERGLASS NETTING. HOOKS BUILT IN TO MAIN FRAME ALLOW SUSPENDING OFF BOTTOM. GREAT FOR LAKES, SLOUGHS & RIVERS.

PART#	DESCRIPTION	PRICE
KLEENFLO1	2" KLEEN FLO LAKE STRAINER	83.00 Y
KLEENFLO2	REPLACEMENT SCREEN	28.75 Y

SUCTION BASKET



SUCTION BASKET STRAINER		
PART#	DESCRIPTION	PRICE
200SBS	2" Female Thread Poly	24.41 S
200SBSS	2" Female Thread Plated Steel	25.75 S
300SBS	3" Female Thread Poly	54.99 S
300SBSS	3" Female Thread Plated Steel	42.95 S



T-STRAINER & REPLACEMENT PARTS



BANJO T-LINE STRAINER FEATURES:

- *MANUFACTURED FROM GLASS REINFORCED POLYPROPYLENE
- *CORROSION RESISTANT
- *SIZES FROM 3/4" TO 1-1/2"
- *CLEAN-OUT PLUG
- *304 STAINLESS STEEL SCREENS
- *EPDM GASKETS STANDARD, VITON AVAILABLE
- *RATED TO 150 PSI @ 70F

T-LINE STRAINERS			
Part#	Size	Mesh	Price
BLST75-16	3/4"	16	47.53 \$
BLST75-30	3/4"	30	47.53 \$
BLST75-50	3/4"	50	43.22 \$
BLST75-80	3/4"	80	47.53 \$
BLST75-100	3/4"	100	47.53 \$
BLST100-16	1"	16	47.53 \$
BLST100-30	1"	30	47.53 \$
BLST100-50	1"	50	43.22 \$
BLST100-80	1"	80	47.53 \$
BLST100-100	1"	100	47.53 \$
BLST125-16	1-1/4"	16	94.69 \$
BLST125-30	1-1/4"	30	94.69 \$
BLST125-50	1-1/4"	50	94.69 \$
BLST125-80	1-1/4"	80	94.69 \$
BLST125-100	1-1/4"	100	94.69 \$
BLST150-16	1-1/2"	16	94.69 \$
BLST150-30	1-1/2"	30	94.69 \$
BLST150-50	1-1/2"	50	86.09 \$
BLST150-80	1-1/2"	80	94.69 \$
BLST150-100	1-1/2"	100	94.69 \$

T-LINE REPLACEMENT PARTS				
ITEM	SIZE & DESCRIPTION			
	3/4"	1"	1-1/4"	1-1/2"
Head, Bowl & Gasket				
PART#	BLST75-HB	BLST100-HB	BLST125-HB	BLST150-HB
PRICE	28.25 \$	28.25 \$	61.91 \$	61.91 \$
Head				
PART#	BLST75-H	BLST100-H	BLST125-H	BLST150-H
PRICE	14.75 \$	14.75 \$	32.21 \$	32.21 \$
Bowl				
PART#	BLST100-B	BLST100-B	BLST150-B	BLST150-B
PRICE	16.93 \$	16.93 \$	28.25 \$	28.25 \$
Gasket				
PART#	BLST100-G	BLST100-G	BLST150-G	BLST150-G
PRICE	4.46 \$	4.46 \$	4.46 \$	4.46 \$
Viton Gasket				
PART#	BLST100-GV	BLST100-GV	BLST150-GV	BLST150-GV
PRICE	9.25 \$	9.25 \$	10.32 \$	10.32 \$
EPDM O-ring for Clean-Out Plug				
PART#	UV15163	UV15163	BLSQ200-R	BLSQ200-R
PRICE	1.20 \$	1.20 \$	1.20 \$	1.20 \$
Clean-Out Plug				
PART#	12777	12777	BLSQ200-PL	BLSQ200-PL
PRICE	3.28 \$	3.28 \$	3.81 \$	3.81 \$
Viton O-ring for Clean-Out Plug				
PART#	UV15163V	UV15163V	BLSQ200-RV	BLSQ200-RV
PRICE	4.90 \$	4.90 \$	1.92 \$	1.92 \$
Screen O-ring				
PART#	13778	13778		
PRICE	2.25 \$	2.25 \$		



T-LINE STRAINER REPLACEMENT SCREEN				
ITEM	SIZE & DESCRIPTION			
	3/4"	1"	1-1/4"	1-1/2"
16 MESH (GRAY) *** NEW COLOR - BROWN RED				
PART#	BLST116	BLST116	BLST1516	BLST1516
PRICE	25.12 \$	25.12 \$	38.59 \$	38.59 \$
30 MESH (YELLOW) ***NEW COLOR - FLAME RED				
PART#	BLST130	BLST130	BLST1530	BLST1530
PRICE	25.12 \$	25.12 \$	38.59 \$	38.59 \$
50 MESH (RED) ***NEW COLOR - GENETIAN BLUE				
PART#	BLST150	BLST150	BLST1550	BLST1550
PRICE	22.84 \$	22.84 \$	38.59 \$	38.59 \$
80 MESH (BLUE) ***NEW COLOR - ZINC YELLOW				
PART#	BLST180	BLST180	BLST1580	BLST1580
PRICE	22.84 \$	22.84 \$	38.59 \$	38.59 \$
100 MESH (GREEN) ***NEW COLOR - TRAFFIC GREEN				
PART#	BLST1100	BLST1100	BLST15100	BLST15100
PRICE	24.53 \$	24.53 \$	38.59 \$	38.59 \$



FLUSH-OUT LINE STRAINER

& REPLACEMENT PARTS



AA126ML STRAINER			
PART#	SIZE	MESH	PRICE
AA126ML-3-30	3/4"	30	39.47 S
AA126ML-3-50	3/4"	50	39.47 S
AA126ML-3-80	3/4"	80	39.47 S
AA126ML-3-100	3/4"	100	39.47 S
AA126ML-4-30	1"	30	39.47 S
AA126ML-4-50	1"	50	39.47 S
AA126ML-4-80	1"	80	39.47 S
AA126ML-4-100	1"	100	39.47 S
AA126ML-5-30	1-1/4"	30	80.78 S
AA126ML-5-50	1-1/4"	50	80.78 S
AA126ML-5-80	1-1/4"	80	80.78 S
AA126ML-5-100	1-1/4"	100	80.78 S
AA126ML-6-30	1-1/2"	30	80.78 S
AA126ML-6-50	1-1/2"	50	80.78 S
AA126ML-6-80	1-1/2"	80	80.78 S
AA126ML-6-100	1-1/2"	100	80.78 S

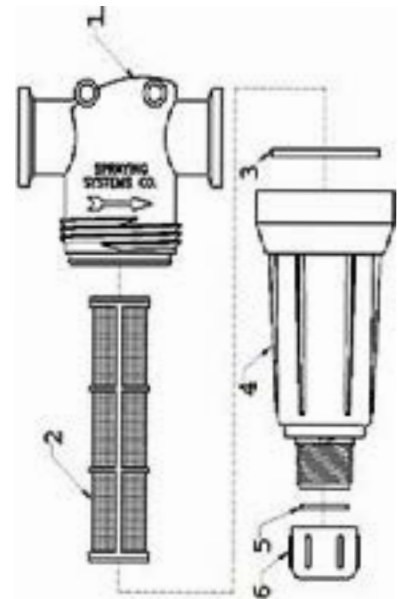
AA126 Flush-out Line Strainer

Features:

- *200 PSI maxium pressure
- *Glass-filled polypropylene with EPDM gasket
- *Screens made of 304SS are removable for cleaning
- *Removable cap & o-ring for flush-out or self-cleaning
- *Replaces AA124



REPLACEMENT PARTS				
ITEM	SIZE & DESCRIPTION			
	3/4"	1"	1-1/4"	1-1/2"
#1	Head			
PART#	CP50492-3/4-PP	CP50492-1-PP	CP63065-1-1/4-PP	CP63066-1-1/2-PP
PRICE	14.50 S	14.50 S	29.57 S	29.57 S
#2	Screen 30 Yellow - NEW COLOR - FLAME RED			
PART#	CP16903-3-SSPP	CP16903-3-SSPP	CP15941-2-SSPP	CP15941-2-SSPP
PRICE	15.86 S	15.86 S	22.33 S	22.33 S
#2	Screen 50 Red - NEW COLOR - GENTIAN BLUE			
PART#	CP16903-4-SSPP	CP16903-4-SSPP	CP15941-3-SSPP	CP15941-3-SSPP
PRICE	15.86 S	15.86 S	22.33 S	22.33 S
#2	Screen 80 Blue - NEW COLOR - ZINC YELLOW			
PART#	CP16903-5-SSPP	CP16903-5-SSPP	CP15941-4-SSPP	CP15941-4-SSPP
PRICE	15.86 S	15.86 S	22.33 S	22.33 S
#2	Screen 100 Green - NEW COLOR - TRAFFIC GREEN			
PART#	CP16903-6-SSPP	CP16903-6-SSPP	CP15941-5-SSPP	CP15941-5-SSPP
PRICE	15.86 S	15.86 S	22.33 S	22.33 S
#3	Gasket - Bowl			
PART#	CP50494-EPR	CP50494-EPR	CP48656-EPR	CP48656-EPR
PRICE	2.66 S	2.66 S	5.37 S	5.37 S
#4	Bowl			
PART#	CP50493-PP	CP50493-PP	CP48654-PP	CP48654-PP
PRICE	14.30 S	14.30 S	29.27 S	29.27 S
#5	Gasket - Cap			
PART#	CP63150-EPR	CP63150-EPR	CP63150-EPR	CP63150-EPR
PRICE	3.52 S	3.52 S	3.52 S	3.52 S
#6	Cap			
PART#	CP48655-PP	CP48655-PP	CP48655-PP	CP48655-PP
PRICE	5.21 S	5.21 S	5.21 S	5.21 S



PRESSURE RELIEF & THROTTLING VALVES

DIAPHRAGM-TYPE PRESSURE RELIEF/REGULATING VALVE

BYPASSES EXCESS LIQUID. CHOICE OF 1/2" AND 3/4" NPT SIZES. CHEMICAL RESISTANT DIAPHRAGM SEALS OFF OPERATING PARTS FROM CONTACT WITH CHEMICALS AND REMAINS RESILIENT FOR CHATTER-FREE, RESPONSIVE PRESSURE CONTROL.



8460 FEATURES:
 STAINLESS SPRINGS
 FULL FLOW
 NYLON & ALUMINUM CONSTRUCTION

DIAPHRAGM RELIEF MODEL 8460			
PART#	SIZE	RATING PSI	PRICE
8460-1/2	1/2"	300	76.33 S
8460-3/4	3/4"	300	76.33 S

PISTON-TYPE PRESSURE RELIEF/REGULATING VALVES

PISTON STYLE VALVES BYPASS EXCESS LIQUID. ADJUSTABLE TO MAINTAIN CONTROL OF LINE PRESSURE AT ANY PRESSURE WITHIN THE VALVE'S OPERATING RANGE. SELECTED PRESSURE SETTING FIRMLY HELD IN PLACE BY LOCK-NUT. EXTRA LARGE VALVE PASSAGES TO HANDLE LARGE FLOW.



110 FEATURES:
 REMOVABLE BONNET FOR SERVICING WITHOUT VALVE REMOVAL
 DUCTILE IRON, ALUMINUM OR BRASS CONSTRUCTION

PISTON TYPE RELIEF MODEL 110			
PART#	SIZE	RATING PSI	PRICE
AA110-114	1-1/4"	150	307.07 S
AA110-112	1-1/2"	150	307.07 S
AA110-114DI	1-1/4"	150	237.10 S
AA110-112DI	1-1/2"	150	237.10 S
AA110-114AL	1-1/4"	150	205.44 S
AA110-112AL	1-1/2"	150	205.44 S



23520 FEATURES:
 POLYPROPYLENE CONSTRUCTION
 PRESSURE TO 150 PSI (10 BAR)
 10 PSI PRESSURE DROP AT 6 GPM 1/2"
 10 PSI PRESSURE DROP AT 18 GPM 3/4"

PISTON STYLE THROTTLE VALVE MODEL 23520			
PART#	SIZE	RATING PSI	PRICE
23250-1/2-PP	1/2"	150	36.04 S
23520-3/4-PP	3/4"	150	36.04 S



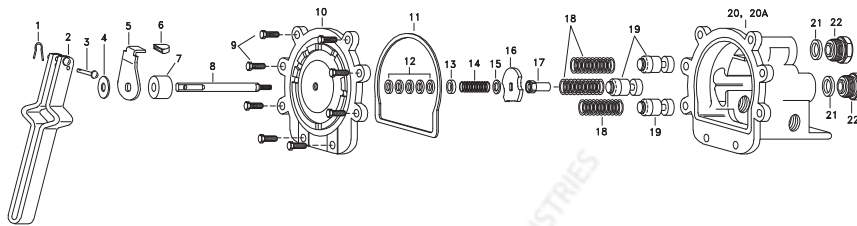
23120 FEATURES:
 STAINLESS SPRING
 EXCELLENT CHEMICAL RESISTANCE
 1/4" PORT FOR PRESSURE GAUGE

PISTON STYLE RELIEF MODEL 23120			
PART#	SIZE	RATING PSI	PRICE
23120-1/2-PP	1/2"	150	41.59 S
23120-3/4-PP	3/4"	150	41.59 S

BOOM CONTROL VALVE

TeeJet Control Valve for the selective control of three-section boom sprayers at pressures up to 300 PSI.

TEEVALVE BOOM CONTROL VALVE				
PART#	INLET	OUTLET	XTRA OUTLET	PRICE
AA17L	3/4" NPT	3/4" NPT	3/4" NPT	155.92 \$
AA17Y	1" NPT	3/4" NPT	3/4" NPT	155.92 \$



USE TO OPEN ANY OF THREE BOOM LINES IN ANY COMBINATION.

RAISE LEVER TO OPEN, LOWER TO CLOSE WITHOUT CHANGING THE INDEXED POSITION.

ALUMINUM CONSTRUCTION WITH STAINLESS STEEL AND PLASTIC INTERNAL PARTS FOR MAXIMUM CORROSION RESISTANCE.

AA17 PARTS			
REF#	PART#	DESCRIPTION	PRICE
1	CP8012-1/2SS	COTTER KEY	1.88 \$
2	CP6849-1-IZP	HANDLE	11.04 \$
3	CP7206-IZP	RIVET	6.58 \$
4	CP6976-IZP	WASHER SPRING	4.71 \$
5	CP12128-IZP	SHIELD	7.30 \$
6	CP12127-CE	SHIELD TIP	4.85 \$
7	CP12129-CE	SPACER	6.51 \$
8	CP6972-SS	STEM	13.01 \$
9	CP20607-IZP	SCREW (REQ 8)	2.70 \$
10	CP12126-AL	COVER PLATE	60.87 \$
11	CP6975-BU	GASKET BUNA-N	10.51 \$
12	CP5809-LEA	PACKING (REQ 5)	1.88 \$
13	CP12130-SS	PACKING GLAND	9.33 \$
14		MAIN SPRING	
15		WASHER SS	
16	CP6971-AL	SELECTOR CAM	5.25 \$
17		GUIDE NUT	
18	CP6959-SS	VALVE SPRING (REQ 3)	3.95 \$
19	CP6956-CE	VALVE STEM (REQ 3)	4.87 \$
20	CP6934-34-AL	BODY	70.90 \$
21	CP6958-POL	SEAT PLATE (REQ 3)	8.06 \$
22	CP7902-AL	OUTLET ADAPTER (REQ 3)	11.83 \$

12 VOLT CONTROL VALVES

12 VOLT SOLENOID VALVES



THESE VALVES ARE DIRECT ACTING WITH LARGE INTERNAL FLOW CHAMBERS WITHOUT PILOT HOLES WHICH REDUCE THE CHANCES OF PLUGGING. STAINLESS STEEL WETTED PARTS PROVIDE ADDITIONAL CORROSION RESISTANCE.

OPERATES ON 12VDC.

144A ENCAPSULATED SOLENOID CAN BE CHANGED WITHOUT REMOVING VALVE FROM SYSTEM.



144A ELECTRIC VALVE

145 & 146 ELECTRIC VALVE

SPRAYING SYSTEMS SOLENOID VALVE					
PART#	INLET	OUTLET	MAX PSI	GPM	PRICE
AA144A-1	3/4"	1/2"	100	10	186.66 \$
AA144A-2	3/4"	1/2"	100	10	378.13 \$
AA144A-3	3/4"	1/2"	100	10	569.63 \$
AA145H-1	1"	1"	100	15	427.37 \$

VALVE REPAIR KITS		
VALVE#	KIT#	PRICE
144-1	AB144-1-KIT	33.53 \$
144A-1	AB144A-1-KIT	33.53 \$
144A-1	AB144A-1-VI-KIT	50.16 \$
145H-1	AB145H-KIT	60.39 \$
244C	AB244C-KIT	12.91 \$

344B SHUT-OFF AND REGULATING BALL VALVES



- *2 & 3 WAY VALVES AVAILABLE
- *3/4" & 1" FNPT CONNECTIONS
- *12 VOLT OPERATION
- *WETTED PARTS ARE NYLON, POLYPROPYLENE, STAINLESS STEEL, TEFLON & VITON



SPRAYING SYSTEMS 12 VOLT SHUTOFF AND CONTROL VALVES							
PART#	OLD PART#	PORT SIZE	FLOW RATE	MAX PSI	TIME	TYPE	PRICE
344BEC-23-C	AA344AEC-2-3/4	3/4"	32 GPM	300	0.6 SEC	SHUTOFF	369.58 \$
344BEC-24-C	AA344AEC-2-1	1"	32 GPM	300	0.6 SEC	SHUTOFF	369.58 \$
344BEC-33-C	AA344AEC-3-3/4	3/4"	24 GPM	300	0.6 SEC	3-WAY	452.29 \$
344BEC-34-C	AA344AEC-3-1	1"	24 GPM	300	0.6 SEC	3-WAY	452.29 \$
344BRL-23-01C	AA344AE-2PR-34	3/4"	27 GPM	300	18 SEC	REGULATING	379.82 \$
344BRL-24-01C	AA344AE-2PR-1	1"	27 GPM	300	18 SEC	REGULATING	379.82 \$
344BRL-23-03C		3/4"	27 GPM	300	6 SEC	REGULATING	379.82 \$
344BRL-24-03C		1"	27 GPM	300	6 SEC	REGULATING	379.82 \$

ELECTRIC VALVES

MINI ELECTRIC VALVES

PART#	DESCRIPTION	PSI	SIZE	OPENING	PRICE
LEV038	3/8" Full Port Electric Valve	200	3/8"	3/8"	205.83 S
LEV050	1/2" Full Port Electric Valve	200	1/2"	15/32"	205.83 S



FEATURES:

- *12 Volt DC
- * Stationary current draw: less than 0.04 amps
- * Rotating current draw: less than 0.04 amps
- * Stall current: 0.75 amps
- * Response time: 1/3 sec open to close
- * TFM seats
- *EPDM seals
- * Fiberglass reinforced polypropylene
- * Integrated mounting slot
- * Standard 3 wire configuration
- *Max Pressure =200 PSI @ 70°F



MINI MANIFOLD ELECTRIC VALVE

PART#	DESCRIPTION	PSI	SIZE	OPENING	PRICE
MLEV100	1" Electric Valve	200	1"	1/2"	219.68 S

LEV SERIES ELECTRIC PUSH LOCK VALVES

FEATURES:

- *12 Volt DC
- * Stationary current draw: less than 0.04 amps
- * Rotating current draw: less than 0.04 amps
- * Stall current: 0.75 amps
- * Response time: 1/3 sec open to close
- * TFM seats
- *EPDM seals
- * Fiberglass reinforced polypropylene
- * Integrated mounting slot
- * Standard 3 wire configuration
- *Max Pressure 150 PSI

PART#	DESCRIPTION	PSI	SIZE	OPENING	PRICE
LEV38PL	3/8" FP Electric Valve	150	3/8"	3/8"	230.75 S



ELECTRIC BALL VALVES

THREADED ELECTRIC BALL VALVES



- *316 STAINLESS STEEL BALL & STEM
- *STAINLESS STEEL HARDWARE
- *FIBERGLASS REINFORCED POLYPROPYLENE
- *VITON OR EPDM O-RINGS
- *12-VOLT DC OPERATED
- *150 PSI MAXIMUM PRESSURE
- *INTERNALLY FUSED/AUTOMATIC RESET
- *OPEN/CLOSED INDICATOR



PART#	DESCRIPTION			OPENING	RESPONSE	PRICE
		MAX	PIPE	THRU	TIME IN	
		PSI	SIZE	BALL	SECONDS	
ON/OFF ELECTRIC VALVES THREADED						
EV075	3/4" ELEC VALVE	150	3/4"	1"	3/4	541.11 S
EV100FP	1" FP ELEC VALVE	150	1"	1"	3/4	541.11 S
EV125	1-1/4" ELEC VALVE	150	1-1/4"	1"	3/4	541.11 S
EV150	1-1/2" ELEC VALVE	150	1-1/2"	1-1/2"	1-1/4	793.19 S
EV200	2" ELEC VALVE	150	2"	1-1/2"	1-1/4	793.19 S
EV204FP	2" FP ELEC VALVE	150	2"	2"	1-1/4	837.25 S
EV300FP	3" FP ELEC VALVE	100	3"	3"	3	2,283.04 S
PART#	DESCRIPTION			OPENING	RESPONSE	PRICE
		MAX	PIPE	THRU	TIME IN	
		PSI	SIZE	BALL	SECONDS	
REGULATING ELECTRIC VALVES THREADED						
EVR075	3/4" ELEC VALVE	150	3/4"	1"	4	749.13 S
EVR100FP	1" FP ELEC VALVE	150	1"	1"	4	749.13 S
EVR204FP	2" FP ELEC VALVE	150	2"	2"	4	995.88 S

MANIFOLD ELECTRIC BALL VALVES

PART#	DESCRIPTION			OPENING	RESPONSE	PRICE
		MAX	FLANGE	THRU	TIME IN	
		PSI	SIZE	BALL	SECONDS	
ON/OFF ELECTRIC VALVES MANIFOLD STYLE FLANGE						
MEV100CF	1" FP ELEC VALVE	150	1"	1"	3/4	541.11 S
MEV200CF	2" STD PORT ELEC VALVE	150	2"	1-1/2"	1-1/4	793.19 S
MEV220CF	2" FP ELEC VALVE	150	2" FP	2"	1-1/4	837.25 S
PART#	DESCRIPTION			OPENING	RESPONSE	PRICE
		MAX	FLANGE	THRU	TIME IN	
		PSI	SIZE	BALL	SECONDS	
REGULATING ELECTRIC VALVES MANIFOLD STYLE FLANGE						
MEVR100CF	1" FP ELEC VALVE	150	1"	1"	4	749.13 S
MEVR200CF	2" STD PORT ELEC VALVE	150	2"	1-1/2"	4	943.02 S
MEVR220CF	2" FP ELEC VALVE	150	2" FP	2"	4	995.88 S

FLANGED ELECTRIC BALL VALVES

3-WAY ELECTRIC BALL VALVES THREADED OUTLET W/FLANGED INLET

SIDE AND BOTTOM INLET PORTS ARE FLANGED
OUTLET PORTS ARE THREADED

SIDE LOAD:
DIRECTIONAL FLOW LEFT OR RIGHT
FLOW CANNOT BE SHUT OFF

BOTTOM LOAD:
DIRECTIONAL FLOW LEFT OR RIGHT
FLOW CANNOT BE SHUT OFF



- *316 STAINLESS STEEL BALL & STEM
- *STAINLESS STEEL HARDWARE
- *FIBERGLASS REINFORCED PLOYPROPYLENE
- *GLASS REINFORCED PTFE SEATS
- *VITON OR EPDM O-RINGS
- *12-VOLT DC OPERATED
- *150 PSI MAXIMUM PRESSURE
- *INTERNALLY FUSED/AUTOMATIC RESIST
- *OPEN/CLOSED INDICATOR

PART#	DESCRIPTION	MAX PSI	PIPE SIZE	OPENING	RESPONSE	PRICE
				THRU	TIME IN	
				BALL	SECONDS	
SIDE LOAD 3-WAY ELECTRIC BALL VALVES						
EV075SL	3/4" X 1" INLET FLANGE	150	3/4"	1"	3/4	608.10 S
EV100SL	1" X 1" INLET FLANGE	150	1"	1"	3/4	608.10 S
EV150SL	1-1/2" X 2" INLET FLANGE	150	1-1/2"	1-1/2"	1-1/4	877.78 S
EV200SL	2" X 2" INLET FLANGE	150	2"	1-1/2"	1-1/4	877.78 S
EV204SLFP	2" X 2" FP INLET FLANGE	150	2"	2"	1-1/4	943.02 S
PART#	DESCRIPTION	MAX PSI	PIPE SIZE	OPENING	RESPONSE	PRICE
				THRU	TIME IN	
				BALL	SECONDS	
BOTTOM LOAD 3-WAY ELECTRIC BALL VALVES						
EV075BL	3/4" X 1" INLET FLANGE	150	3/4"	1"	1-1/2	608.11 S
EV100BL	1" X 1" INLET FLANGE	150	1"	1"	1-1/2	608.11 S
EV150BL	1-1/2" X 2" INLET FLANGE	150	1-1/2"	1-1/2"	2-1/2	877.78 S
EV204BLFP	2" X 2" FP INLET FLANGE	150	2"	2"	2-1/2	943.02 S

1" ELECTRIC MANIFOLD VALVE ASSEMBLIES



PART#	DESCRIPTION	MAX PSI	FLANGE	FLANGE	PRICE
			INLET	OUTLET	
			SIZE	SIZE	
MEV103CF	3 VALVE 1" MANIFOLD ASSEMBLY	150	2"	1"	1,665.71 S
MEV105CF	5 VALVE 1" MANIFOLD ASSEMBLY	150	2"	1"	2,837.85 S



RC-10N

Remote Control System with 1560A pressure regulator, with solenoid shutoff valve.

PART# RC-10N \$364.14 Y



1560A Pressure Regulator

Recommended for flow rates up to 50GPM.
3/4" NPT Female Inlet/Outlet
3/4" Orifice

PART# 1560A \$153.89 D



1999A Solenoid Valve

12-Volt DC Electric Boom Shutoff Valves have 1" NPT female outlete, 1" male bypass outlet and 3/4" NPT female boom line outlet for high volume applications at minimum pressure loss (pressure drop is only 5 PSI at 18 GPM). Max operating pressure, 175 PSI and 18 GPM.

PART# 1999A-1 \$186.80 D



Chemical Isolator

with mounting bracket and 1/8" female NPT threads without tube fittings.

PART# GI-18 \$25.00 NET

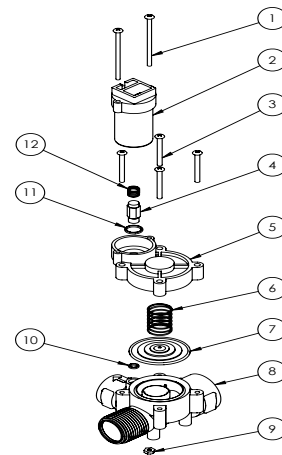


2201A Solenoid Valve

.148 Dia. Orifice, .45 CV Rating
1GPM, 125 PSI, 12-Volt DC, 1.1 Amp.
This is a good choice when large flow and high pressure are required.

PART# 2201A \$101.29 D

PART# 2201 \$20.00 NET



2501B Solenoid Valve

Use these valves anytime you need direct \ shut-off control with no bypass.
12 Volt DC shut-off
1/2" NPT Female Inlet/Outlet,
6 GPM, 150 PSI

PART# 2501B \$132.52 D

2504A Solenoid Valve

3WAY, 12 Volt
2GPM, 75 PSI
Weatherpack

PART# 2504BWP \$150.02 D



2202A Solenoid Valve

Ideal for small sprayers.
1/4" NPT Female Inlet
1.4" NPT Female Outlet
Weatherpack Connection

PART# 2202AWP \$89.94 D

1999A PARTS			
REF#	PART#	DESCRIPTION	PRICE
8	1962	Valve Body	34.65 A
7	*1974	Viton Diaphragm Assembly, Standard	45.68 A
7	#2109	Aflas Diaphragm Assembly, Optional	64.03 A
6	*#1975	Spring	7.04 A
5	1963	Valve Cover	40.10 A
10	*#1976	Viton "O" Ring 010	4.35 A
1	5305	6-32 x 2 5/8 Screw (Req 2)	2.00 A
9	5306	Hex Nut (Req 2)	0.57 A
11	*#1977	Viton "O" Ring 014	4.92 A
4	*2239	Plunger w/Viton Seat, Standard	31.09 A
4	#2240	Plunger w/Aflas Seat, Optional	35.22 A
12	*#1979	Plunger Spring	7.17 A
2	2515	Coil Assembly	84.01 A
2A	2520	Coil Assembly, Weather Pack	85.95 A
3	5307	No. 8 x 1 1/2" Screw (Req 4)	1.94 A
	2168	"O" Ring 022	3.23 A
	2517	Viton Repair Kit - *	61.70 A
	2518	Aflas Repair Kit - #	88.80 A

QUICK TEEJET CAPS & GASKETS



	PART#		COMPATIBLE TIPS	PRICE
	TOP CAP & GASKET			
	OLD	CURRENT		
	25612-X-NYR	114441-X-CELR	TP Standard (0067-01), XR (01-08)	1.25 S
	CP25611-X-NY	CP114440-X-CE	DG, TT, TTTJ60, AIXR, OC	0.89 S
		25610-X-NYR	TP Standard (10-20), XR (10-15)	1.42 S
		CP25609-XNY		1.02 S
	25598-X-NYR	114443-X-CELR	TJ60, AI & AIUB, SJ3, DG TwinJet)	1.42 S
	CP25597-X-NY	CP114442-X-CE	TTI, AITTTJ60 (02-06)	1.02 S
	98579-1-NYR	98579-1-NYR	AI3070 & AITTTJ60 (08-15)	2.35 S
	CP98578-1-NY	CP98578-1-NY		1.69 S
		25600-X-NYR	Tube FloodJet, TK-VS FloodJet	1.42 S
		CP25599-X-NY	TK-VP FloodJet	1.02 S
	25608-X-NYR	114445-X-CELR	TK FloodJet, FLFullJet, TX/TXA ConeJet	1.42 S
	CP25607-X-NY	CP114444-X-CE	TG Full Cone, Hose Shank, AITXA ConeJet, Disc/Core	1.02 S
	QJ4676-45-1/4-NYR	QJ4676-45-1/4-NYR	45° Quick TeeJet Cap with 1/4" NPT female thread outlet	5.36 S
	QJ4676-90-1/4-NYR	QJ4676-90-1/4-NYR	90° Quick TeeJet Cap with 1/8" NPT female thread outlet	5.36 S
	QJ4676-1/8-NYR	QJ4676-1/8-NYR	1/8" NPT female thread outlet	2.82 S
	QJ4676-1/4-NYR	QJ4676-1/4-NYR	1/4" NPT female thread outlet	2.82 S
	19843-NYR	114447-1-CELR	Shutoff Cap	2.70 S
	CP19438-EPR	CP19438-EPR	Gasket (EPDM)	0.61 S
	CP19438-VI	CP19438-VI	Gasket (Viton)	2.53 S
	CP18999-EPR	CP18999-EPR	Gasket (EPDM) Disc/Core	1.32 S
	CP18999-VI	CP18999-VI	Gasket (Viton) Disc/Core	8.02 S

NUMBER	COLOR
1	BLACK
2	WHITE
3	RED
4	BLUE
5	GREEN
6	YELLOW
7	BROWN
8	ORANGE
10	VIOLET

ADD THE FOLLOWING NUMBER TO THE END OF THE CAP & GASKET PART NUMBER TO SPECIFY COLOR NEEDED.

**EXAMPLE:
CAP & GASKET IN RED
25612-3**

QUICK TEE-JET CAP

**SEAT GASKET
CP19438-EPR
(EPDM STANDARD)
CP19438-VI
(VITON OPTIONAL)**

QUICK TEE-JET CAP & GASKET SET

SPRAY TIPS

VISIFLO FLAT SPRAY TIP

****Always verify tips or orifices you received are the size which you require before using with chemical.
Chemical rates need to be obtained from your chemical dealer.****

USE A MINIMUM OF 30 PSI SPRAY PRESSURE FOR UNIFORM DISTRIBUTION. THIS PROVIDES MEDIUM SIZE DROPLETS FOR GOOD SOIL COVERAGE AS A PRE-EMERGE SURFACE APPLICATION. FOR POST-EMERGE CONTACT HERBICIDES USE 40 PSI AND HIGHER PRESSURE TO PROVIDE GOOD CANOPY PENETRATION AND SMALLER DROPLETS FOR FOLIAR COVERAGE. ADJUST HEIGHT FOR 30% OVERLAP.

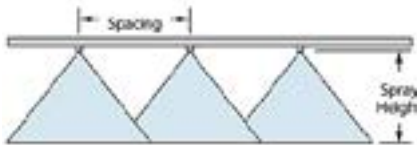


**GOOD SPRAY PENETRATION
UNIFORM COVERAGE
SPRAY PRESSURE 30 TO 60 PSI**

MATERIAL		
CODE	DESCRIPTION	PRICE
VS	VISIFLO SS	7.47 \$
VP	VISIFLO POLY	1.08 \$
HSS	HARDENED SS	17.70 \$
SS	SS	12.86 \$
	BRASS	5.02 \$

HOW TO ORDER:

- TP8002VS - Stainless Steel with VisiFlo color-coding
- TP11002-VP - Polymer with VisiFlo color-coding
- TP11002-HSS - Hardened Stainless Steel
- TP8002-SS - Stainless Steel
- TP8002 - Brass



OPTIMUM	
SPRAY HEIGHT	
65"	35"
80"	30"
110"	20"

*AVAILABLE IN: BRASS, STAINLESS STEEL
& HARDENED STAINLESS ONLY

	PSI	GPM	GPA 20" SPACING AT MPH							
			4	5	6	8	10	12	15	20
TP650050*	30	0.043	3.2	2.6	2.1	1.6	1.3	1.1	0.85	0.64
TP800050*	35	0.047	3.5	2.8	2.3	1.7	1.4	1.2	0.93	0.7
TP1100050*	40	0.050	3.7	3	2.5	1.9	1.5	1.2	0.99	0.74
(100)	50	0.056	4.2	3.3	2.8	2.1	1.7	1.4	1.1	0.83
	60	0.061	4.5	3.6	3	2.3	1.8	1.5	1.2	0.91
TP650067*	30	0.058	4.3	3.4	2.9	2.2	1.7	1.4	1.1	0.9
TP800067*	35	0.063	4.7	3.7	3.1	2.3	1.9	1.6	1.2	0.9
TP1100067*	40	0.067	5.0	4.0	3.3	2.5	2.0	1.7	1.3	1.0
(100)	50	0.075	5.6	4.5	3.7	2.8	2.2	1.9	1.5	1.1
	60	0.082	6.1	4.9	4.1	3.0	2.4	2.0	1.6	1.2
TP6501*	30	0.087	6.5	5.2	4.3	3.2	2.6	2.2	1.7	1.3
TP8001	35	0.094	7.0	5.6	4.7	3.5	2.8	2.3	1.9	1.4
TP11001	40	0.10	7.4	5.9	5.0	3.7	3.0	2.5	2.0	1.5
(100)	50	0.11	8.2	6.5	5.4	4.1	3.3	2.7	2.2	1.6
ORANGE	60	0.12	8.9	7.1	5.9	4.5	3.6	3.0	2.4	1.8
TP65015*	30	0.13	9.7	7.7	6.4	4.8	3.9	3.2	2.6	1.9
TP80015	35	0.14	10.4	8.3	6.9	5.2	4.2	3.5	2.8	2.1
TP110015	40	0.15	11.1	8.9	7.4	5.6	4.5	3.7	3.0	2.2
(100)	50	0.17	12.6	10.1	8.4	6.3	5.0	4.2	3.4	2.5
GREEN	60	0.18	13.4	10.7	8.9	6.7	5.3	4.5	3.6	2.7
TP6502*	30	0.17	12.6	10.1	8.4	6.3	5.0	4.2	3.4	2.5
TP8002	35	0.19	14.1	11.3	9.4	7.1	5.6	4.7	3.8	2.8
TP11002	40	0.2	14.9	11.9	9.9	7.4	5.9	5.0	4.0	3.0
(50)	50	0.22	16.3	13.1	10.9	8.2	6.5	5.4	4.4	3.3
YELLOW	60	0.24	17.8	14.3	11.9	8.9	7.1	5.9	4.8	3.6
TP6503*	30	0.26	19.3	15.4	12.9	9.7	7.7	6.4	5.1	3.9
TP8003	35	0.28	21	16.6	13.9	10.4	8.3	6.9	5.5	4.2
TP11003	40	0.3	22	17.8	14.9	11.1	8.9	7.4	5.9	4.5
(50)	50	0.34	25	20	16.8	12.6	10.1	8.4	6.7	5.0
BLUE	60	0.37	27	22	18.3	13.7	11.0	9.2	7.3	5.5
TP6504*	30	0.35	26	21	17.3	13.0	10.4	8.7	6.9	5.2
TP8004	35	0.37	27	22	18.3	13.7	11.0	9.2	7.3	5.5
TP11004	40	0.4	30	24	19.8	14.9	11.9	9.9	7.9	5.9
(50)	50	0.45	33	27	22	16.7	13.4	11.1	8.9	6.7
RED	60	0.49	36	29	24	18.2	14.6	12.1	9.7	7.3
TP6505*	30	0.43	32	26	21	16.0	12.8	10.6	8.5	6.4
TP8005	35	0.47	35	28	23	17.4	14.0	11.6	9.3	7.0
TP11005	40	0.5	37	30	25	18.6	14.9	12.4	9.9	7.4
(50)	50	0.56	42	33	28	21	16.6	13.9	11.1	8.3
BROWN	60	0.61	45	36	30	23	18.1	15.1	12.1	9.1
TP6506*	30	0.52	39	31	26	19.3	15.4	12.9	10.3	7.7
TP8006	35	0.56	42	33	28	21	16.6	13.9	11.1	8.3
TP11006	40	0.6	45	36	30	22	17.8	14.9	11.9	8.9
(50)	50	0.67	50	40	33	25	19.9	16.6	13.3	9.9
GRAY	60	0.73	54	43	36	27	22	18.1	14.5	10.8
TP6508*	30	0.69	51	41	34	26	20	17.1	13.7	10.2
TP8008	35	0.75	56	45	37	28	22	18.6	14.9	11.1
TP11008	40	0.8	59	48	40	30	24	19.8	15.8	11.9
(50)	50	0.89	66	53	44	33	26	22	17.6	13.2
WHITE	60	0.98	73	58	49	36	29	24	19.4	14.6
	30	0.87	65	52	43	32	26	22	17.2	12.9
TP6510*	35	0.94	70	56	47	35	28	23	18.6	14
TP8010*	40	1	74	59	50	37	30	25	19.8	14.9
TP11010*	50	1.12	83	67	55	42	33	28	22	16.6
	60	1.22	91	72	60	45	36	30	24	18.1
	30	1.3	97	77	64	48	39	32	26	19.3
TP6515*	35	1.4	104	83	69	52	42	35	28	21
TP8015*	40	1.5	111	89	74	56	45	37	30	22
TP11015*	50	1.68	125	100	83	62	50	42	33	25
	60	1.84	137	109	91	68	55	46	36	27
	30	1.73	128	103	86	64	51	43	34	26
TP6520*	35	1.87	139	111	93	69	56	46	37	28
TP8020*	40	2	149	119	99	74	59	50	40	30
TP11020*	50	2.24	166	133	111	83	67	55	44	33
	60	2.45	182	146	121	91	73	61	49	36

XR EXTENDED RANGE FLAT SPRAY TIP



****Always verify tips or orifices you received are the size which you require before using with chemical.
Chemical rates need to be obtained from your chemical dealer.****

AN EXCELLENT TIP FOR PRE-EMERGE SURFACE APPLIED CHEMICALS.
AT MEDIUM PRESSURE (20-30 PSI) THE XR PRODUCES A MEDIUM SIZE DROPLET FOR GOOD SURFACE COVERAGE. EXCELLENT FOR POST-EMERGE SYSTEMIC HERBICIDES. AT LOWER PRESSURES (15-20 PSI) THE XR PRODUCES A LARGER DROPLET FOR LESS DRIFT.

MATERIAL		XR	XRC
CODE	DESCRIPTION	PRICE	PRICE
VS	VISIFLO SS	8.35 \$	9.59 \$
SS	STAINLESS	9.91 \$	N/A
VP	POLYMER	3.76 \$	4.48 \$
VK	CERAMIC VISIFLO	6.46 \$	7.82 \$

PART #	80 DEGREE	110 DEGREE	PSI	XR GPM	XRC GPM	GPA 20" SPACING AT MPH							
						4	5	6	8	10	12	15	20
			15	0.061		4.5	3.6	3	2.3	1.8	1.5	1.2	0.91
			20	0.071		5.3	4.2	3.5	2.6	2.1	1.8	1.4	1.1
XR8001	XR11001		30	0.087		6.5	5.2	4.3	3.2	2.6	2.2	1.7	1.3
(100)	(100)		40	0.1		7.4	5.9	5	3.7	3	2.5	2	1.5
ORANGE	ORANGE		50	0.11		8.2	6.5	5.4	4.1	3.3	2.7	2.2	1.6
			60	0.12		8.9	7.1	5.9	4.5	3.6	3	2.4	1.8
			15	0.092	0.092	6.8	5.5	4.6	3.4	2.7	2.3	1.8	1.4
XR80015	XR110015		20	0.11	0.11	8.2	6.5	5.4	4.1	3.3	2.7	2.2	1.6
XRC80015	XRC110015		30	0.13	0.13	9.7	7.7	6.4	4.8	3.9	3.2	2.6	1.9
(100)	(100)		40	0.15	0.15	11.1	8.9	7.4	5.6	4.5	3.7	3	2.2
GREEN	GREEN		50	0.17	0.17	12.6	10.1	8.4	6.3	5	4.2	3.4	2.5
			60	0.18	0.18	13.4	10.7	8.9	6.7	5.3	4.5	3.6	2.7
			15	0.12	0.12	8.9	7.1	5.9	4.5	3.6	3	2.4	1.8
XR8002	XR11002		20	0.14	0.14	10.4	8.3	6.9	5.2	4.2	3.5	2.8	2.1
XRC8002	XRC11002		30	0.17	0.17	12.6	10.1	8.4	6.3	5	4.2	3.4	2.5
(50)	(50)		40	0.2	0.2	14.9	11.9	9.9	7.4	5.9	5	4.1	3
YELLOW	YELLOW		50	0.22	0.22	16.3	13.1	10.9	8.2	6.5	5.4	4.4	3.3
			60	0.24	0.24	17.8	14.3	11.9	8.9	7.1	5.9	4.8	3.6
			15	0.15	0.15	11.1	8.9	7.4	5.6	4.5	3.7	3	2.2
			20	0.18	0.18	13.4	10.7	8.9	6.7	5.3	4.5	3.6	2.7
			30	0.22	0.22	16.3	13.1	10.9	8.2	6.5	5.4	4.4	3.3
			40	0.25	0.25	18.6	14.9	12.4	9.3	7.4	6.2	5	3.7
			50	0.28	0.28	21	16.6	13.9	10.4	8.3	6.9	5.5	4.2
			60	0.31	0.31	23	18.4	15.3	11.5	9.2	7.7	6.1	4.6
			15	0.18	0.18	13.4	10.7	8.9	6.7	5.3	4.5	3.6	2.7
XR8003	XR11003		20	0.21	0.21	15.6	12.5	10.4	7.8	6.2	5.2	4.2	3.1
XRC8003	XRC11003		30	0.26	0.26	19.3	15.4	12.9	9.7	7.7	6.4	5.1	3.9
(50)	(50)		40	0.3	0.3	22	17.8	14.9	11.1	8.9	7.4	5.9	4.5
BLUE	BLUE		50	0.34	0.34	25	20	16.8	12.6	10.1	8.4	6.7	5
			60	0.37	0.37	27	22	18.3	13.7	11	9.2	7.3	5.5
			15	0.24	0.24	17.8	14.3	11.9	8.9	7.1	5.9	4.8	3.6
XR8004	XR11004		20	0.28	0.28	21	16.6	13.9	10.4	8.3	6.9	5.5	4.2
XRC8004	XRC11004		30	0.35	0.35	26	21	17.3	13	10.4	8.7	6.9	5.2
(50)	(50)		40	0.4	0.4	30	24	19.8	14.9	11.9	9.9	7.9	5.9
RED	RED		50	0.45	0.45	33	27	22	16.7	13.4	11.1	8.9	6.7
			60	0.49	0.49	36	29	24	18.2	14.6	12.1	9.7	7.3
			15	0.31	0.31	23	18.4	15.3	11.5	9.2	7.7	6.1	4.6
XR8005	XR11005		20	0.35	0.35	26	21	17.3	13	10.4	8.7	6.9	5.2
XRC8005	XRC11005		30	0.43	0.43	32	26	21	16	12.8	10.6	8.5	6.4
(50)	(50)		40	0.5	0.5	37	30	25	18.6	14.9	12.4	9.9	7.4
BROWN	BROWN		50	0.56	0.56	42	33	28	21	16.6	13.9	11.1	8.3
			60	0.61	0.61	45	36	30	23	18.1	15.1	12.1	9.1
			15	0.37	0.37	27	22	18.3	13.7	11	9.2	7.3	5.5
XR8006	XR11006		20	0.42	0.42	31	25	21	15.6	12.5	10.4	8.3	6.2
XRC8006	XRC11006		30	0.52	0.52	39	31	26	19.3	15.4	12.9	10.3	7.7
(50)	(50)		40	0.6	0.6	45	36	30	22	17.8	14.9	11.9	8.9
GRAY	GRAY		50	0.67	0.67	50	40	33	25	19.9	16.6	13.3	9.9
			60	0.73	0.73	54	43	36	27	22	18.1	14.5	10.8
			15	0.49	0.49	36	29	24	18.2	14.6	12.1	9.7	7.3
XR8008	XR11008		20	0.57	0.57	42	34	28	21	16.9	14.1	11.3	8.5
XRC8008	XRC11008		30	0.69	0.69	51	41	34	26	20	17.1	13.7	10.2
(50)	(50)		40	0.8	0.8	59	48	40	30	24	19.8	15.8	11.9
WHITE	WHITE		50	0.89	0.89	66	53	44	33	26	22	17.6	13.2
			60	0.98	0.98	73	58	49	36	29	24	19.4	14.6
			15	0.61		45	36	30	23	18.1	15.1	12.1	9.1
			20	0.71		53	42	35	26	21	17.6	14.1	10.5
XR8010SS	XR11010SS		30	0.87		65	52	43	32	26	22	17.2	12.9
			40	1		74	59	50	37	30	25	19.8	14.9
			50	1.12		83	67	55	42	33	28	22	16.6
			60	1.22		91	72	60	45	36	30	24	18.1
			15	0.92		68	55	46	34	27	23	18.2	13.7
			20	1.06		79	63	52	39	31	26	21	15.7
XR8015SS	XR11015SS		30	1.3		97	77	64	48	39	32	26	19.3
			40	1.5		111	89	74	56	45	37	30	22
			50	1.68		125	100	83	62	50	42	33	25
			60	1.84		137	109	91	68	55	46	36	27



XR



XRC

AIXR AIR INDUCTION XR FLAT SPRAY TIP

****Always verify tips or orifices you received are the size which you require before using with chemical.
Chemical rates need to be obtained from your chemical dealer.****

Tapered flat spray angle with air induction technology offers better drift management. Made of two-piece UHMWPE polymer construction providing excellent chemical resistance, including acids, as well as exceptional wear life. Depending on the chemical, produces large air-filled drops through a Venturi air aspirator. Removable pre-orifice.



AIXR110XXVP
\$8.70 S



OPTIMUM SPRAY HEIGHT	
110°	20"



PART #	PSI	GPM	GPA 20" SPACING AT MPH							
			4	5	6	8	10	12	15	20
	15	0.092	6.8	5.5	4.6	3.4	2.7	2.3	1.8	1.4
	20	0.11	8.2	6.5	5.4	4.1	3.3	2.7	2.2	1.6
AIXR110015	30	0.13	9.7	7.7	6.4	4.8	3.9	3.2	2.6	1.9
(100)	40	0.15	11.1	8.9	7.4	5.6	4.5	3.7	3	2.2
GREEN	50	0.17	12.6	10.1	8.4	6.3	5	4.2	3.4	2.5
	60	0.18	13.4	10.7	8.9	6.7	5.3	4.5	3.6	2.7
	75	0.21	15.6	12.5	10.4	7.8	6.2	5.2	4.2	3.1
	90	0.23	17.1	13.7	11.4	8.5	6.8	5.7	4.6	3.4
	15	0.12	8.9	7.1	5.9	4.5	3.6	3	2.4	1.8
	20	0.14	10.4	8.3	6.9	5.2	4.2	3.5	2.8	2.1
AIXR11002	30	0.17	12.6	10.1	8.4	6.3	5	4.2	3.4	2.5
(50)	40	0.20	14.9	11.9	9.9	7.4	5.9	5	4	3
YELLOW	50	0.22	16.3	13.1	10.9	8.2	6.5	5.4	4.4	3.3
	60	0.24	17.8	14.3	11.9	8.9	7.1	5.9	4.8	3.6
	75	0.27	20	16	13.4	10	8	6.7	5.3	4
	90	0.30	22	17.8	14.9	11.1	8.9	7.4	5.9	4.5
	15	0.15	11.1	8.9	7.4	5.6	4.5	3.7	3	2.2
	20	0.18	13.4	10.7	8.9	6.7	5.3	4.5	3.6	2.7
AIXR110025	30	0.22	16.3	13.1	10.9	8.2	6.5	5.4	4.4	3.3
(50)	40	0.25	18.6	14.9	12.4	9.3	7.4	6.2	5	3.7
PURPLE	50	0.28	21	16.6	13.9	10.4	8.3	6.9	5.5	4.2
	60	0.31	23	18.4	15.3	11.5	9.2	7.7	6.1	4.6
	75	0.34	25	20	16.8	12.6	10.1	8.4	6.7	5
	90	0.38	28	23	18.8	14.1	11.3	9.4	7.5	5.6
	15	0.18	13.4	10.7	8.9	6.7	5.3	4.5	3.6	2.7
	20	0.21	15.6	12.5	10.4	7.8	6.2	5.2	4.2	3.1
AIXR11003	30	0.26	19.3	15.4	12.9	9.7	7.7	6.4	5.1	3.9
(50)	40	0.30	22	17.8	14.9	11.1	8.9	7.4	5.9	4.5
BLUE	50	0.34	25	20	16.8	12.6	1.1	8.4	6.7	5
	60	0.37	27	22	18.3	13.7	11	9.2	7.3	5.5
	75	0.41	30	24	20	15.2	12.2	10.1	8.1	6.1
	90	0.45	33	27	22	16.7	13.4	11.1	8.9	6.7
	15	0.24	17.8	14.3	11.9	8.9	7.1	5.9	4.8	3.6
	20	0.28	21	16.6	13.9	10.4	8.3	6.9	5.5	4.2
AIXR11004	30	0.35	26	21	17.3	13	10.4	8.7	6.9	5.2
(50)	40	0.40	30	24	19.8	14.9	11.9	9.9	7.9	5.9
RED	50	0.45	33	27	22	16.7	13.4	11.1	8.9	6.7
	60	0.49	36	29	24	18.2	14.6	12.1	9.7	7.3
	75	0.55	41	33	27	20	16.3	13.6	10.9	8.2
	90	0.60	51	36	30	22	17.8	14.9	11.9	8.9
	15	0.31	23	18.4	15.3	11.5	9.2	7.7	6.1	4.6
	20	0.35	26	21	17.3	13	10.4	8.7	6.9	5.2
AIXR11005	30	0.43	32	26	21	16	12.8	10.6	8.5	6.4
(50)	40	0.50	37	30	25	18.6	14.9	12.4	9.9	7.4
BROWN	50	0.56	42	33	28	21	16.6	13.9	11.1	8.3
	60	0.61	45	36	30	23	18.1	15.1	12.1	9.1
	75	0.68	50	40	34	25	20	16.8	13.5	10.1
	90	0.75	56	45	37	28	22	18.6	14.9	11.1
	15	0.37	27	22	18.3	13.7	11	9.2	7.3	5.5
	20	0.42	31	25	21	15.6	12.5	10.4	8.3	6.2
AIXR11006	30	0.52	39	31	26	19.3	15.4	12.9	10.3	7.7
(50)	40	0.60	45	36	30	22	17.8	14.9	11.9	8.9
GRAY	50	0.67	50	40	33	25	19.9	16.6	13.3	9.9
	60	0.73	54	43	36	27	22	18.1	14.5	1.8
	75	0.82	61	49	41	30	24	20	16.2	12.2
	90	0.90	67	53	45	33	27	22	17.8	13.4

TURBO, TURBO INDUCTION



& TURBO TWINJET

****Always verify tips or orifices you received are the size which you require before using with chemical.
Chemical rates need to be obtained from your chemical dealer.****

TURBO TEEJET: TAPERED EDGE WIDE ANGLE FLAT SPRAY PATTERN FOR UNIFORM COVERAGE IN BROADCAST SPRAYING. BLOCKAGE-FREE PASSAGE MEANS LESS CLOGGING.

TURBO INDUCTION: AIR INDUCTION, TAPERED FLAT SPRAY TIP PATTERN, MINIMAL PLUGGING. IDEAL FOR USE WITH AUTOMATIC SPRAYER CONTROLLERS.

TURBO TWINJET: BEST SUITED FOR BROADCAST SPRAYING WHERE SUPERIOR LEAF COVERAGE AND CANOPY PENETRATION IS IMPORTANT.

110 DEGREE	PSI	TT GPM	TTI GPM	TTJ60 GPM	GPA 20" SPACING AT MPG							
					4	5	6	8	10	12	15	20
	15	0.061			4.5	3.6	3	2.3	1.8	1.5	1.2	0.91
	20	0.071			5.3	4.2	3.5	2.6	2.1	1.8	1.4	1.1
TT11001	30	0.087			6.5	5.2	4.3	3.2	2.6	2.2	1.7	1.3
(100)	40	0.1			7.4	5.9	5	3.7	3	2.5	2	1.5
ORANGE	50	0.11			8.2	6.5	5.4	4.1	3.3	2.7	2.2	1.6
	60	0.12			8.9	7.1	5.9	4.5	3.6	3	2.4	1.8
	15	0.092	0.092		6.8	5.5	4.6	3.4	2.7	2.3	1.8	1.4
TT110015	20	0.11	0.11		8.2	6.5	5.4	4.1	3.3	2.7	2.2	1.6
TTI110015	30	0.13	0.13		9.7	7.7	6.4	4.8	3.9	3.2	2.6	1.9
(100)	40	0.15	0.15		11.1	8.9	7.4	5.6	4.5	3.7	3	2.2
GREEN	50	0.17	0.17		12.6	10.1	8.4	6.3	5	4.2	3.4	2.5
	60	0.18	0.18		13.4	10.7	8.9	6.7	5.3	4.5	3.6	2.7
TT11002	15	0.12	0.12		8.9	7.1	5.9	4.5	3.6	3	2.4	1.8
TTI11002	20	0.14	0.14	0.14	10.4	8.3	6.9	5.2	4.2	3.5	2.8	2.1
(50)	30	0.17	0.17	0.17	12.6	10.1	8.4	6.3	5	4.2	3.4	2.5
TTJ60-11002	40	0.20	0.2	0.2	14.9	11.9	9.9	7.4	5.9	5	4	3
(100)	50	0.22	0.22	0.22	16.3	13.1	10.9	8.2	6.5	5.4	4.4	3.3
YELLOW	60	0.24	0.24	0.24	17.8	14.3	11.9	8.9	7.1	5.9	4.8	3.6
TT110025	15	0.15	0.15		11.1	8.9	7.4	5.6	4.5	3.7	3	2.2
TTI110025	20	0.18	0.18	0.18	13.4	10.7	8.9	6.7	5.3	4.5	3.6	2.7
(50)	30	0.22	0.22	0.22	16.3	13.1	10.9	8.2	6.5	5.4	4.4	3.3
TTJ60-110025	40	0.25	0.25	0.25	18.6	14.9	12.4	9.3	7.4	6.2	5	3.7
(100)	50	0.28	0.28	0.28	21	16.6	13.9	10.4	8.3	6.9	5.5	4.2
VIOLET	60	0.31	0.31	0.31	23	18.4	15.3	11.5	9.2	7.7	6.1	4.6
TT11003	15	0.18	0.18		13.4	10.7	8.9	6.7	5.3	4.5	3.6	2.7
TTI11003	20	0.21	0.21	0.21	15.6	12.5	10.4	7.8	6.2	5.2	4.2	3.1
(50)	30	0.26	0.26	0.26	19.3	15.4	12.9	9.7	7.7	6.4	5.1	3.9
TTJ60-11003	40	0.30	0.3	0.3	22	17.8	14.9	11.1	8.9	7.4	5.9	4.5
(100)	50	0.34	0.34	0.34	25	20	16.8	12.6	10.1	8.4	6.7	5
BLUE	60	0.37	0.37	0.37	27	22	18.3	13.7	11	9.2	7.3	5.5
TT11004	15	0.24	0.24		17.8	14.3	11.9	8.9	7.1	5.9	4.8	3.6
TTI11004	20	0.28	0.28	0.28	21	16.6	13.9	10.4	8.3	6.9	5.5	4.2
(50)	30	0.35	0.35	0.35	26	21	17.3	13	10.4	8.7	6.9	5.2
TTJ60-11004	40	0.40	0.4	0.4	30	24	19.8	14.9	11.9	9.9	7.9	5.9
(100)	50	0.45	0.45	0.45	33	27	22	16.7	13.4	11.1	8.9	6.7
RED	60	0.49	0.49	0.49	36	29	24	18.2	14.6	12.1	9.7	7.3
TT11005	15	0.31	0.31		23	18.4	15.3	11.5	9.2	7.7	6.1	4.6
TTI11005	20	0.35	0.35	0.35	26	21	17.3	13	10.4	8.7	6.9	5.2
(50)	30	0.43	0.43	0.43	32	26	21	16	12.8	10.6	8.5	6.4
TTJ60-11005	40	0.50	0.5	0.5	37	30	25	18.6	14.9	12.4	9.9	7.4
(100)	50	0.56	0.56	0.56	42	33	28	21	16.6	13.9	11.1	8.3
BROWN	60	0.61	0.61	0.61	45	36	30	23	18.1	15.1	12.1	9.1
TT11006	15	0.37	0.37		27	22	18.3	13.7	11	9.2	7.3	5.5
TTI11006	20	0.42	0.42	0.42	31	25	21	15.6	12.5	10.4	8.3	6.2
(50)	30	0.52	0.52	0.52	39	31	26	19.3	15.4	12.9	10.3	7.7
TTJ60-11006	40	0.60	0.6	0.6	45	36	30	22	17.8	14.9	11.9	8.9
(100)	50	0.67	0.67	0.67	50	40	33	25	19.9	16.6	13.3	9.9
GRAY	60	0.73	0.73	0.73	54	43	36	27	22	18.1	14.5	10.8
	15	0.49			36	29	24	18.2	14.6	12.1	9.7	7.3
TT11008	20	0.57			42	34	28	21	16.9	14.1	11.3	8.5
(50)	30	0.69			51	41	34	26	20	17.1	13.7	10.2
WHITE	40	0.80			59	48	40	30	24	19.8	15.8	11.9
	50	0.89			66	53	44	33	26	22	17.6	13.2
	60	0.98			73	58	49	36	29	24	19.4	14.6



(TT)
WIDE ANGLE
FLAT SPRAY
\$7.87 S



(TTI)
FLAT SPRAY
(015-06) \$13.48 S
(08-10) \$15.75 S



(TTJ60)
TWIN FLAT SPRAY
\$9.44 S

****Always verify tips or orifices you received are the size which you require before using with chemical.
Chemical rates need to be obtained from your chemical dealer.****

STAINLESS STEEL INSERT PRODUCES TAPERED EDGE FLAT SPRAY PATTERN FOR UNIFORM COVERAGE IN BROADCAST SPRAYING. POLYMER INSERT HOLDER AND PRE-ORIFICE WITH VISIFLO COLOR-CODING. LARGER DROPLETS FOR LESS DRIFT. DEPENDING ON CHEMICAL, PRODUCES LARGE AIR-FILLED DROPS THROUGH THE USE OF A VENTURI AIR ASPIRATOR.



AI

MATERIAL		AI	AIC
CODE	DESCRIPTION	PRICE	PRICE
VS	VISIFLO SS	15.97 S	17.31 S
VP	POLYMER	N/A	8.01 S
VK	CERAMIC VISIFLO	N/A	14.10 S

AIC



110 DEGREE	PSI	GPM	SPACING AT MPH											
			4	5	6	7	8	9	10	12	14	16	18	20
	30	0.13	9.7	7.7	6.4	5.5	4.8	4.3	3.9	3.2	2.8	2.4	2.1	1.9
AII0015	40	0.15	11.1	8.9	7.4	6.4	5.6	5	4.5	3.7	3.2	2.8	2.5	2.2
AIC110015	50	0.17	12.6	10.1	8.4	7.2	6.3	5.6	5	4.2	3.6	3.2	2.8	2.5
(100)	60	0.18	13.4	10.7	8.9	7.6	6.7	5.9	5.3	4.5	3.8	3.3	3	2.7
GREEN	75	0.21	15.6	12.5	10.4	8.9	7.8	6.9	6.2	5.2	4.5	3.9	3.5	3.1
	90	0.23	17.1	13.7	11.4	9.8	8.5	7.6	6.8	5.7	4.9	4.3	3.8	3.4
	30	0.17	12.6	10.1	8.4	7.2	6.3	5.6	5	4.2	3.6	3.2	2.8	2.5
AII002	40	0.2	14.9	11.9	9.9	8.5	7.4	6.6	5.9	5	4.2	3.7	3.3	3
AIC11002	50	0.22	16.3	13.1	10.9	9.3	8.2	7.3	6.5	5.4	4.7	4.1	3.6	3.3
(50)	60	0.24	17.8	14.3	11.9	10.2	8.9	7.9	7.1	5.9	5.1	4.5	4	3.6
YELLOW	75	0.27	20	16	13.4	11.5	10	8.9	8	6.7	5.7	5	4.5	4
	90	0.3	22	17.8	14.9	12.7	11.1	9.9	8.9	7.4	6.4	5.6	5	4.5
	30	0.22	16.3	13.1	10.9	9.3	8.2	7.3	6.5	5.4	4.7	4.1	3.6	3.3
AII0025	40	0.25	18.6	14.9	12.4	10.6	9.3	8.3	7.4	6.2	5.3	4.6	4.1	3.7
AIC110025	50	0.28	21	16.6	13.9	11.9	10.4	9.2	8.3	6.9	5.9	5.2	4.6	4.2
(50)	60	0.31	23	18.4	15.3	13.2	11.5	10.2	9.2	7.7	6.6	5.8	5.1	4.6
VIOLET	75	0.34	25	20	16.8	14.4	12.6	11.2	10.1	8.4	7.2	6.3	5.6	5
	90	0.36	28	23	18.8	16.1	14.1	12.5	11.3	9.4	8.1	7.1	6.3	5.6
	30	0.26	19.3	15.4	12.9	11	9.7	8.6	7.7	6.4	5.5	4.8	4.3	3.9
AII003	40	0.3	22	17.8	14.9	12.7	11.1	9.9	8.9	7.4	6.4	5.6	5	4.5
AIC11003	50	0.34	25	20	16.8	14.4	12.6	11.2	10.1	8.4	7.2	6.3	5.6	5
(50)	60	0.37	27	2	18.3	15.7	13.7	12.2	11	9.2	7.8	6.9	6.1	5.5
BLUE	75	0.41	30	24	20	17.4	15.2	13.5	12.2	10.1	8.7	7.6	6.8	6.1
	90	0.45	33	27	22	19.1	16.7	14.9	13.4	11.1	9.5	8.4	7.4	6.7
	30	0.35	26	21	17.3	14.9	13	11.6	10.4	8.7	7.4	6.5	5.8	5.2
AII004	40	0.4	30	24	19.8	17	14.9	13.2	11.9	9.9	8.5	7.4	6.6	5.9
AIC11004	50	0.45	33	27	22	19.1	16.7	14.9	13.4	11.1	9.5	8.4	7.4	6.7
(50)	60	0.49	36	29	24	21	18.2	16.2	14.6	12.1	10.4	9.1	8.1	7.3
RED	75	0.55	41	33	27	23	20	18.2	16.3	13.6	11.7	10.2	9.1	8.2
	90	0.6	45	36	30	25	22	19.8	17.8	14.9	12.7	11.1	9.9	8.9
	30	0.43	32	26	21	18.2	16	14.2	12.8	10.6	9.1	8	7.1	6.4
AII005	40	0.5	37	30	25	21	18.6	16.5	14.9	12.4	10.6	9.3	8.3	7.4
AIC11005	50	0.56	42	33	28	24	21	18.5	16.6	13.9	11.9	10.4	9.2	8.3
(50)	60	0.61	45	36	30	26	23	20	18.1	15.1	12.9	11.3	10.1	9.1
BROWN	75	0.68	50	40	34	29	25	22	20	16.8	14.4	12.6	11.2	10.1
	90	0.75	56	45	37	32	28	25	22	18.6	15.9	13.9	12.4	11.1
	30	0.52	39	31	26	22	19.3	17.2	15.4	12.9	11	9.7	8.6	7.7
AII006	40	0.6	45	36	30	25	22	19.8	17.8	14.9	12.7	11.1	9.9	8.9
AIC11006	50	0.67	50	40	33	28	25	22	19.9	16.6	14.2	12.4	11.1	9.9
(50)	60	0.73	54	43	36	31	27	24	22	18.1	15.5	13.6	12	10.8
GRAY	75	0.82	61	49	41	35	30	27	24	20	17.4	15.2	13.5	12.2
	90	0.9	67	53	45	38	33	30	27	22	19.1	16.7	14.9	13.4
	30	0.69	51	41	34	29	26	23	20	17.1	14.6	12.8	11.4	10.2
AII008	40	0.8	59	48	40	34	30	26	24	19.8	17	14.9	13.2	11.9
AIC11008	50	0.89	66	53	44	38	33	29	26	22	18.9	16.5	14.7	13.2
(50)	60	0.98	73	58	49	42	36	32	29	24	21	18.2	16.2	14.6
WHITE	75	1.1	82	65	54	47	41	36	33	27	23	20	18.2	16.3
	90	1.2	89	71	59	51	45	40	36	30	25	22	19.8	17.8
	30	0.87	65	52	43	37	32	29	26	22	18.5	16.1	14.4	12.9
AII010	40	1	74	59	50	42	37	33	30	25	21	18.6	16.5	14.9
AIC11010	50	1.12	83	67	55	48	42	37	33	28	24	21	18.5	16.6
(50)	60	1.22	91	72	60	52	45	40	36	30	26	23	20	18.1
LT BLUE	75	1.37	102	81	68	58	51	45	41	34	29	25	23	20
	90	1.5	111	89	74	64	56	50	45	37	32	28	25	22

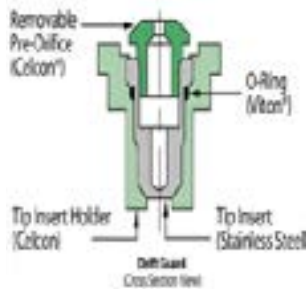
DRIFT GUARD FLAT SPRAY TIP



****Always verify tips or orifices you received are the size which you require before using with chemical.
Chemical rates need to be obtained from your chemical dealer.****

FEATURES:

PRE-ORIFICE DESIGN PRODUCES LARGER DROPLETS AND REDUCES THE SMALL DRIFT PRONE DROPLETS, MINIMIZING OFF-TARGET SPRAY CONTAMINATION. TAPERED EDGE FLAT SPRAY PATTERN PROVIDES UNIFORM COVERAGE WHEN ADJACENT NOZZLE PATTERN ARE OVERLAPPED IN BROADCAST SPRAYING THE COLOR-CODED PRE-ORIFICE IS REMOVABLE FOR ANY NECESSARY CLEANING. AVAILABLE IN BOTH 80 AND 110 DEGREE SPRAY ANGLES WITH DURABLE STAINLESS STEEL ORIFICES.



OPTIMUM SPRAY HEIGHT	
80°	30"
110°	20"



MATERIAL		
CODE	DESCRIPTION	PRICE
VS	VISIFLO SS	11.56 S
VP	POLYMER	6.70 S

80 DEGREE	110 DEGREE	PSI	GPM	GPA 20" SPACING AT MPH										
				4	5	6	7	8	9	10	12	14	16	18
DG80015 (100) GREEN	DG110015 (100) GREEN	30	0.13	9.7	7.7	6.4	5.5	4.8	4.3	3.9	3.2	2.8	2.4	2.1
		35	0.14	10.4	8.3	6.9	5.9	5.2	4.6	4.2	3.5	3	2.6	2.3
		40	0.15	11.1	8.9	7.4	6.4	5.6	5	4.5	3.7	3.2	2.8	2.5
		50	0.17	12.6	10.1	8.4	7.2	6.3	5.6	5	4.2	3.6	3.2	2.8
		60	0.18	13.4	10.7	8.9	7.6	6.7	5.9	5.3	4.5	3.8	3.3	3
DG8002 (50) YELLOW	DG11002 (50) YELLOW	30	0.17	12.6	10.1	8.4	7.2	6.3	5.6	5	4.2	3.6	3.2	2.8
		35	0.19	14.1	11.3	9.4	8.1	7.1	6.3	5.6	4.7	4	3.5	3.1
		40	0.2	14.9	11.9	9.9	8.5	7.4	6.6	5.9	5	4.2	3.7	3.3
		50	0.22	16.3	13.1	10.9	9.3	8.2	7.3	6.5	5.4	4.7	4.1	3.6
		60	0.24	17.8	14.3	11.9	10.2	8.9	7.9	7.1	5.9	5.1	4.5	4
DG8003 (50) BLUE	DG11003 (50) BLUE	30	0.26	19.3	15.4	12.9	11	9.7	8.6	7.7	6.4	5.5	4.8	4.3
		35	0.28	21	16.6	13.9	11.9	10.4	9.2	8.3	6.9	5.9	5.2	4.6
		40	0.3	22	17.8	14.9	12.7	11.1	9.9	8.9	7.4	6.4	5.6	5
		50	0.34	25	20	16.8	14.4	12.6	11.2	10.1	8.4	7.2	6.3	5.6
		60	0.37	27	2	18.3	15.7	13.7	12.2	11	9.2	7.8	6.9	6.1
DG8004 (50) RED	DG11004 (50) RED	30	0.35	26	21	17.3	14.9	13	11.6	10.4	8.7	7.4	6.5	5.8
		35	0.37	27	22	18.3	15.7	13.7	12.2	11	9.2	7.8	6.9	6.1
		40	0.4	30	24	19.8	17	14.9	13.2	11.9	9.9	8.5	7.4	6.6
		50	0.45	33	27	22	19.1	16.7	14.9	13.4	11.1	9.5	8.4	7.4
		60	0.49	36	29	24	21	18.2	16.2	14.6	12.1	10.4	9.1	8.1
DG8005 (50) BROWN	DG11005 (50) BROWN	30	0.43	32	26	21	18.2	16	14.2	12.8	10.6	9.1	8	7.1
		35	0.47	35	28	23	19.9	17.4	15.5	14	11.6	10	8.7	7.8
		40	0.5	37	30	25	21	18.6	16.5	14.9	12.4	10.6	9.3	8.3
		50	0.56	42	33	28	24	21	18.5	16.6	13.9	11.9	10.4	9.2
		60	0.61	45	36	30	26	23	20	18.1	15.1	12.9	11.3	10.1

TURBO TEEJET® DUO

****Always verify tips or orifices you received are the size which you require before using with chemical.
Chemical rates need to be obtained from your chemical dealer.****

Excellent for both contact and systemic fungicides and insecticides - typical pressure 40 PSI and higher.
Excellent for spraying post-emergence contact herbicides - typical pressure 40 PSI and higher.
Very good for post-emerge systemic herbicide applications at lower end of optimum operating pressure range.
Offers improved penetration and coverage as compared to a single flat spray tip of equal capacity.
Offers larger droplet size and improved drift control.

Features:

Dual angled spray patterns help to better penetrate crop canopy. Provides thorough leaf coverage.
QJ90-2-NYR adapter utilizes Quick TeeJet inlet and outlet connections for fast and easy installation.
Body and caps constructed of Nylon.
Turbo TeeJet tip made of acetal for excellent wear life and chemical resistance.
Quick TeeJet caps are color coded to match VisiFlo color coding of spray tip.



**DUAL OULET ONLY
QJ90-2-NYR
\$5.36 S**



**DUAL OUTLET
W/CAP & TIPS
\$23.39 S**



110 DEGREE	PSI	GPM	GPA 20" SPACING AT MPH							
			4	5	6	8	10	12	15	20
	15	0.12	8.9	7.1	5.9	4.5	3.6	3	2.4	1.8
QJ90-	20	0.14	10.4	8.3	6.9	5.2	4.2	3.5	2.8	2.1
2XTT11001-VP	30	0.17	12.6	10.1	8.4	6.3	5	4.2	3.4	2.5
(100)	40	0.2	14.9	11.9	9.9	7.4	5.9	5	4	3
ORANGE	50	0.22	16.3	13.1	10.9	8.2	6.5	5.4	4.4	3.3
	60	0.24	17.8	14.3	11.9	8.9	7.1	5.9	4.8	3.6
	15	0.18	13.4	10.7	8.9	6.7	5.3	4.5	3.6	2.7
QJ90-	20	0.21	15.6	12.5	10.4	7.8	6.2	5.2	4.2	3.1
2XTT110015-VP	30	0.26	19.3	15.4	12.9	9.7	7.7	6.4	5.1	3.9
(100)	40	0.3	22	17.8	14.9	11.1	8.9	7.4	5.9	4.5
GREEN	50	0.34	25	20	16.8	12.6	10	8.4	6.7	5
	60	0.37	27	22	18.3	13.7	11	9.2	7.3	5.5
	15	0.24	17.8	14.3	11.9	8.9	7.1	5.9	4.8	3.6
QJ90-	20	0.28	21	16.6	13.9	10.4	8.3	6.9	5.5	4.2
2XTT11002-VP	30	0.35	26	21	17.3	13	10.4	8.7	6.9	5.2
(50)	40	0.4	30	24	19.8	14.9	11.9	9.9	7.9	5.9
YELLOW	50	0.45	33	27	22	16.7	13.4	11.1	8.9	6.7
	60	0.49	36	29	24	18.2	14.6	12.1	9.7	7.3
	15	0.31	23	18.4	15.3	11.5	9.2	7.7	6.1	4.6
QJ90-	20	0.35	26	21	17.3	13	10.4	8.7	6.9	5.2
2XTT110025-VP	30	0.43	32	26	21	16	12.8	10.6	8.5	6.4
(50)	40	0.5	37	30	25	18.6	14.9	12.4	9.9	7.4
VIOLET	50	0.56	42	33	28	21	16.6	13.9	11.1	8.3
	60	0.61	45	36	30	23	18.1	15.1	12.1	9.1
	15	0.37	27	22	18.3	13.7	11	9.2	7.3	5.5
QJ90-	20	0.42	31	25	21	15.6	12.5	10.4	8.3	6.2
2XTT11003-VP	30	0.52	39	31	26	19.3	15.4	12.9	10.3	7.7
(50)	40	0.6	45	36	30	22	17.8	14.9	11.9	8.9
BLUE	50	0.67	50	40	33	25	19.9	16.6	13.3	9.9
	60	0.73	54	43	36	27	22	18.1	14.5	10.8
	15	0.49	36	29	24	18.2	14.6	12.1	9.7	7.3
QJ90-	20	0.57	42	34	28	21	16.9	14.1	11.3	8.5
2XTT11004-VP	30	0.69	51	41	34	26	20	17.1	13.7	10.2
(50)	40	0.8	59	48	40	30	24	19.8	15.8	11.9
RED	50	0.89	66	53	44	33	26	22	17.6	13.2
	60	0.98	73	58	49	36	29	24	19.4	14.6
	15	0.61	45	36	30	23	18.1	15.1	12.1	9.1
QJ90-	20	0.71	53	42	35	26	21	17.6	14.1	10.5
2XTT11005-VP	30	0.87	65	52	43	32	26	22	17.2	12.9
(50)	40	1	74	59	50	37	30	25	19.8	14.9
BROWN	50	1.12	83	67	55	42	33	28	22	16.6
	60	1.22	91	72	60	45	36	30	24	18.1
	15	0.73	54	43	36	27	22	18.1	14.5	10.8
QJ90-	20	0.85	63	50	42	32	25	21	16.8	12.6
2XTT11006-VP	30	1.04	77	62	51	39	31	26	21	15.4
(50)	40	1.2	89	71	59	45	36	30	24	17.8
GRAY	50	1.34	99	80	66	50	40	33	27	19.9
	60	1.47	109	87	73	55	44	36	29	22
	15	0.98	73	58	49	36	29	24	19.4	14.6
QJ90-	20	1.13	84	67	56	42	34	28	22	16.8
2XTT11008-VP	30	1.39	103	83	69	52	41	34	28	21
(50)	40	1.6	119	95	79	59	48	40	32	24
WHITE	50	1.79	133	106	89	66	53	44	35	27
	60	1.96	146	116	97	73	58	49	39	29

STREAMJET SJ-7



****Always verify tips or orifices you received are the size which you require before using with chemical.
Chemical rates need to be obtained from your chemical dealer.****

Excellent for application of liquid fertilizer.

Features:

- Creates seven identical fluid streams of equal velocity and capacity.
- Excellent spray distribution quality.
- Removable metering orifice for easy cleaning.
- Offered in a variety of sizes for a wide range of application rates.
- VisiFlo® color-coding for easy capacity identification.
- All acetal construction for excellent chemical resistance.
- Recommended operating pressure: 20 - 60 PSI (1.5-4bar).



PRICE: \$13.59 S

	PSI	GPM										
			3	4	5	6	8	10	12	14	16	18
	20	0.1	9.9	7.4	5.9	5	3.7	3	2.5	2.1	1.9	1.7
SJ7-015-VP	30	0.12	11.9	8.9	7.1	5.9	4.5	3.6	3	2.5	2.2	2
(100)	40	0.15	14.9	11.1	8.9	7.4	5.6	4.5	3.7	3.2	2.8	2.5
GREEN	50	0.16	15.8	11.9	9.5	7.9	5.9	4.8	4	3.4	3	2.6
	60	0.18	17.8	13.4	10.7	8.9	6.7	5.3	4.5	3.8	3.3	3
	20	0.14	13.9	10.4	8.3	6.9	5.2	4.2	3.5	3	2.6	2.3
SJ7-02-VP	30	0.17	16.8	12.6	10	8.4	6.3	5	4.2	3.6	3.2	2.8
(50)	40	0.2	19.8	14.9	11.9	9.9	7.4	5.9	5	4.2	3.7	3.3
YELLOW	50	0.23	23	17.1	13.7	11.4	8.5	6.8	5.7	4.9	4.3	3.8
	60	0.25	25	18.6	14.9	12.4	9.3	7.4	6.2	5.3	4.6	4.1
	20	0.22	22	16.3	13.1	10.9	8.2	6.5	5.4	4.7	4.1	3.6
SJ7-03-VP	30	0.27	27	20	16	13.4	10	8	6.7	5.7	5	4.5
(50)	40	0.3	30	22	17.8	14.9	11.1	8.9	7.4	6.4	5.6	5
BLUE	50	0.33	33	25	19.6	16.3	12.3	9.8	8.2	7	6.1	5.4
	60	0.35	35	26	21	17.3	13	10.4	8.7	7.4	6.5	5.8
	20	0.3	30	22	17.8	14.9	11.1	8.9	7.4	6.4	5.6	5
SJ7-04-VP	30	0.35	35	26	21	17.3	13	10.4	8.7	7.4	6.5	5.8
(50)	40	0.4	40	30	24	19.8	14.9	11.9	9.9	8.5	7.4	6.6
RED	50	0.43	43	32	26	21	16	12.8	10.6	9.1	8	7.1
	60	0.46	46	34	27	23	17.1	13.7	11.4	9.8	8.5	7.6
	20	0.38	38	28	23	18.8	14.1	11.3	9.4	8.1	7.1	6.3
SJ7-05-VP	30	0.45	45	33	27	22	16.7	13.4	11.1	9.5	8.4	7.4
(50)	40	0.5	50	37	30	25	18.6	14.9	12.4	10.6	9.3	8.3
BROWN	50	0.54	53	40	32	27	20	16	13.4	11.5	10	8.9
	60	0.58	57	43	34	29	22	17.2	14.4	12.3	10.8	9.6
	20	0.45	45	33	27	22	16.7	13.4	11.1	9.5	8.4	7.4
SJ7-06-VP	30	0.54	53	40	32	27	20	16	13.4	11.5	10	8.9
(50)	40	0.6	59	45	36	30	22	17.8	14.9	12.7	11.1	9.9
GRAY	50	0.65	64	48	39	32	24	19.3	16.1	13.8	12.1	10.7
	60	0.7	69	52	42	35	26	21	17.3	14.9	13	11.6
	20	0.57	56	42	34	28	21	16.9	14.1	12.1	10.6	9.4
SJ7-08-VP	30	0.72	71	53	43	36	27	21	17.8	15.3	13.4	11.9
	40	0.8	79	59	48	40	30	24	19.8	17	14.9	13.2
WHITE	50	0.87	86	65	52	43	32	26	22	18.5	16.1	14.4
	60	0.93	92	69	55	46	35	28	23	19.7	17.3	15.3
	20	0.71	70	53	42	35	26	21	17.6	15.1	13.2	11.7
SJ7-10-VP	30	0.9	89	67	53	45	33	27	22	19.1	16.7	14.9
	40	1	99	74	59	50	37	30	25	21	18.6	16.5
LT BLUE	50	1.09	108	81	65	54	40	32	27	23	20	18
	60	1.16	115	86	69	57	43	34	29	25	22	19.1
	20	1.03	102	76	61	51	38	31	25	22	19.1	17
SJ7-15-VP	30	1.29	128	96	77	64	48	38	32	27	24	21
	40	1.5	149	111	89	74	56	45	37	32	28	25
LT GREEN	50	1.65	162	122	97	81	61	49	41	35	30	27
	60	1.76	174	131	105	87	65	52	44	37	33	29

AIR INDUCTION DUAL PATTERN FLAT SPRAY

AI3070



PART#	DESCRIPTION	PRICE
AI3070-XXVP	Tip	9.83 S
AI3070-XXVP-C	Tip/Cap/Gasket	12.31 S

The AI3070 TeeJet dual spray, utilizing a patent-pending design, provides two spray patterns at complementary angles of 30* and 70* from vertical. The leading pattern provides canopy penetration while the trailing pattern provides thorough coverage across the top of crop canopy.

	PSI	GPM	GPA 20" SPACING AT MPH					
			4	5	6	8	10	12
	20	0.11	8.2	6.5	5.4	4.1	3.3	2.7
	30	0.13	9.7	7.7	6.4	4.8	3.9	3.2
AI3070-015VP	40	0.15	11.1	8.9	7.4	5.6	4.5	3.7
(100)	50	0.17	12.6	10.1	8.4	6.3	5	4.2
	60	0.18	13.4	10.7	8.9	6.7	5.3	4.5
	75	0.21	15.6	12.5	10.4	7.8	6.2	5.2
	90	0.23	17.1	13.7	11.4	8.5	6.8	5.7
	20	0.14	10.4	8.3	6.9	5.2	4.2	3.5
	30	0.17	12.6	10.1	8.4	6.3	5	4.2
AI3070-02VP	40	0.20	14.9	11.9	9.9	7.4	5.9	5
(100)	50	0.22	16.3	13.1	10.9	8.2	6.5	5.4
	60	0.24	17.8	14.3	11.9	8.9	7.1	5.9
	75	0.27	20	16	13.4	10	8	6.7
	90	0.30	22	17.8	14.9	11.1	8.9	7.4
	20	0.18	13.4	10.7	8.9	6.7	5.3	4.5
	30	0.22	16.3	13.1	10.9	8.2	6.5	5.4
AI3070-025VP	40	0.25	18.6	14.9	12.4	9.3	7.4	6.2
(100)	50	0.28	21	16.6	13.9	10.4	8.3	6.9
	60	0.31	23	18.4	15.3	11.5	9.2	7.7
	75	0.34	25	20	16.8	12.6	10.1	8.4
	90	0.38	28	23	18.8	14.1	11.3	9.4
	20	0.21	15.6	12.5	10.4	7.8	6.2	5.2
	30	0.26	19.3	15.4	12.9	9.7	7.7	6.4
AI3070-03VP	40	0.30	22	17.8	14.9	11.1	8.9	7.4
(50)	50	0.34	25	20	16.8	12.6	10.1	8.4
	60	0.37	27	22	18.3	13.7	11	9.2
	75	0.41	30	24	20	15.2	12.2	10.1
	90	0.45	33	27	22	16.7	13.4	11.1
	20	0.28	21	16.6	13.9	10.4	8.3	6.9
	30	0.35	26	21	17.3	13	10.4	8.7
AI3070-04VP	40	0.40	30	24	19.8	14.9	11.9	9.9
(50)	50	0.45	33	27	22	16.7	13.4	11.1
	60	0.49	36	29	24	18.2	14.6	12.1
	75	0.55	41	33	27	20	16.3	13.6
	90	0.60	45	36	30	22	17.8	14.9
	20	0.35	26	21	17.3	13	10.4	8.7
	30	0.43	32	26	21	16	12.8	10.6
AI3070-05VP	40	0.50	37	30	25	18.6	14.9	12.4
(50)	50	0.56	42	33	28	21	16.6	13.9
	60	0.61	45	36	30	23	18.1	15.1
	75	0.68	50	40	34	25	20	16.8
	90	0.75	56	45	37	28	22	18.6

TWIN JET FLAT & FULL JET CONE SPRAY TIP



FEATURES:

PENETRATES CROP RESIDUE OR DENSE FOLIAGE.
SMALLER DROPLETS FOR THOROUGH COVERAGE.
BETTER SPRAY DISTRIBUTION ALONG BOOM
THAN WITH HOLLOW CONE NOZZLES.



ALL VS TWINJET \$14.53 S

DEGREE	OPTIMUM SPRAY HEIGHT
80°	30"
110°	20"

PART #	80 DEGREE	110 DEGREE	PSI	GPM	GPA 20" SPACING AT MPH										
					4	5	6	7	8	9	10	12	14	16	18
TJ60-8002VS	TJ60-11002VS	30	0.17	12.6	10.1	8.4	7.2	6.3	5.6	5	4.2	3.6	3.2	2.8	2.5
(100)	(100)	40	0.2	14.9	11.9	9.9	8.5	7.4	6.6	5.9	5	4.2	3.7	3.3	3
YELLOW	YELLOW	50	0.22	16.3	13.1	10.9	9.3	8.2	7.3	6.5	5.4	4.7	4.1	3.6	3.3
		60	0.24	17.8	14.3	11.9	10.2	8.9	7.9	7.1	5.9	5.1	4.5	4	3.6
TJ60-8003VS	TJ60-11003VS	30	0.26	19.3	15.4	12.9	11	9.7	8.6	7.7	6.4	5.5	4.8	4.3	3.9
(100)	(100)	40	0.3	22	17.8	14.9	12.7	11.1	9.9	8.9	7.4	6.4	5.6	5	4.5
BLUE	BLUE	50	0.34	25	20	16.8	14.4	12.6	11.2	10.1	8.4	7.2	6.3	5.6	5
		60	0.37	27	22	18.3	15.7	13.7	12.2	11	9.2	7.8	6.9	6.1	5.5
TJ60-8004VS	TJ60-11004VS	30	0.35	26	21	17.3	14.9	13	11.6	10.4	8.7	7.4	6.5	5.8	5.2
(50)	(50)	40	0.4	30	24	19.8	17	14.9	13.2	11.9	9.9	8.5	7.4	6.6	5.9
RED	RED	50	0.45	33	27	22	19.1	16.7	14.9	13.4	11.1	9.5	8.4	7.4	6.7
		60	0.49	36	29	24	21	18.2	16.2	14.6	12.1	10.4	9.1	8.1	7.3
TJ60-8006VS	TJ60-11006VS	30	0.52	39	31	26	22	19.3	17.2	15.4	12.9	11	9.7	8.6	7.7
(50)	(50)	40	0.6	45	36	30	25	22	19.8	17.8	14.9	12.7	11.1	9.9	8.9
GRAY	GRAY	50	0.67	50	40	33	28	25	22	19.9	16.6	14.2	12.4	11.1	9.9
		60	0.73	54	43	36	31	27	24	22	18.1	15.5	13.6	12	10.8
TJ60-8008VS	TJ60-11008VS	30	0.69	51	41	34	29	26	23	20	17.1	14.6	12.8	11.4	10.2
(50)	(50)	40	0.8	59	48	40	34	30	26	24	19.8	17	14.9	13.2	11.9
WHITE	WHITE	50	0.89	66	53	44	38	33	29	26	22	18.9	16.5	14.7	13.2
		60	0.98	73	58	49	42	36	32	29	24	21	18.2	16.2	14.6

	PSI	GPM	GPA 40" SPACING AT MPH					
			3	4	5	6	7	7.5
BROWN	15	0.34	16.8	12.6	10.1	8.4	7.2	6.7
FL-5VS	20	0.38	18.8	14.1	11.3	9.4	8.1	7.5
FL-5VC	30	0.46	23	17.1	13.7	11.4	9.8	9.1
	40	0.52	26	19.3	15.4	12.9	11.0	10.3
GRAY	15	0.42	21	15.6	12.5	10.4	8.9	8.3
FL-6.5VS	20	0.48	24	17.8	14.3	11.9	10.2	9.5
FL-6.5VC	30	0.57	28	21	16.9	14.1	12.1	11.3
	40	0.65	32	24	19.3	16.1	13.8	12.9
WHITE	15	0.51	25	18.9	15.1	12.6	10.8	10.1
FL-8VS	20	0.58	29	22	17.2	14.4	12.3	11.5
FL-8VC	30	0.70	35	26	21	17.3	14.9	13.9
	40	0.79	39	29	23	19.6	16.8	15.6
BLUE	15	0.67	33	25	19.9	16.6	14.2	13.3
FL-10VS	20	0.76	38	28	23	18.8	16.1	15.0
FL-10VC	30	0.91	45	34	27	23	19.3	18.0
	40	1.00	50	37	30	25	21	19.8
GREEN	15	0.97	48	36	29	24	21	19.2
FL-15VS	20	1.11	55	41	33	27	24	22
FL-15VC	30	1.32	65	49	39	33	28	26
	40	1.50	74	56	45	37	32	30

FULLJET WIDE ANGLE FULL CONE SPRAY TIP

FEATURES:

LARGE DROPLETS TO REDUCE DRIFT
DISTRIBUTION OVER A RANGE OF PRESSURES (15 - 40 PSI)
WIDE SPRAY ANGLE ALLOWS USE OF 40" SPACING



MATERIAL	DESCRIPTION	PRICE
CODE		
VS	VISIFLO SS	14.23 \$
VC	VISIFLO CELCON	9.03 \$

TURBO FLOODJET WIDE ANGLE FLAT SPRAY TIP

****Always verify tips or orifices you received are the size which you require before using with chemical.
Chemical rates need to be obtained from your chemical dealer.****

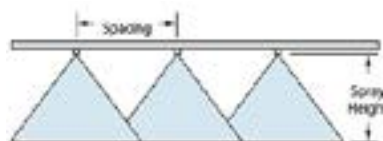


**EXCELLENT CHOICE FOR:
PRE-EMERGE & SYSTEMIC HERBICIDES.
SYSTEMIC FUNGICIDES & INSECTICIDES.**

FEATURES:

- **EXCELLENT SPRAY DISTRIBUTION FOR UNIFORM COVERAGE ALONG THE BOOM.
- **NOZZLE DESIGN INCORPORATES A PRE-ORIFICE TO PRODUCE LARGER DROPLETS FOR LESS DRIFT.
- **LARGER ROUND ORIFICE REDUCES CLOGGING.
- **STAINLESS STEEL WITH VISIFLO COLOR-CODING FOR EASY SIZE IDENTIFICATION.

MATERIAL	PRICE
CODE	PRICE
VS	15.79 S
VP	3.59 S



SPACING	OPTIMUM HEIGHT
20"	24"*
30"	30"*
40"	39"*

*Wide angle spray nozzle height is influenced by nozzle orientation. The critical factor is to achieve a minimum 30% overlap.

	PSI	GPM	GPA 40" SPACING AT MPH										
			4	5	6	7	8	9	10	12	14	16	18
	10	0.20	7.4	5.9	5.0	4.2	3.7	3.3	3.0	2.5	2.1	1.9	1.7
TF-VS2	20	0.28	10.4	8.3	6.9	5.9	5.2	4.6	4.2	3.5	3.0	2.6	2.3
TF-VP2	30	0.35	13.0	10.4	8.7	7.4	6.5	5.8	5.2	4.3	3.7	3.2	2.9
RED	40	0.40	14.9	11.9	9.9	8.5	7.4	6.6	5.9	5.0	4.2	3.7	3.3
	10	0.25	9.3	7.4	6.2	5.3	4.6	4.1	3.7	3.1	2.7	2.3	2.1
TF-VS2.5	20	0.35	13.0	10.4	8.7	7.4	6.5	5.8	5.2	4.3	3.7	3.2	2.9
TF-VP2.5	30	0.43	16.0	12.8	10.6	9.1	8.0	7.1	6.4	5.3	4.6	4.0	3.5
BROWN	40	0.50	18.6	14.9	12.4	10.6	9.3	8.3	7.4	6.2	5.3	4.6	4.1
	10	0.30	11.1	8.9	7.4	6.4	5.6	5.0	4.5	3.7	3.2	2.8	2.5
TF-VS3	20	0.42	15.6	12.5	10.4	8.9	7.8	6.9	6.2	5.2	4.5	3.9	3.5
TF-VP3	30	0.52	19.3	15.4	12.9	11.0	9.7	8.6	7.7	6.4	5.5	4.8	4.3
GRAY	40	0.60	22	17.8	14.9	12.7	11.1	9.9	8.9	7.4	6.4	5.6	5.0
	10	0.40	14.9	11.9	9.9	8.5	7.4	6.6	5.9	5.0	4.2	3.7	3.3
TF-VS4	20	0.57	21	16.9	14.1	12.1	10.6	9.4	8.5	7.1	6.0	5.3	4.7
TF-VP4	30	0.69	26	20	17.1	14.6	12.8	11.4	10.2	8.5	7.3	6.4	5.7
WHITE	40	0.80	30	24	19.8	17.0	14.9	13.2	11.9	9.9	8.5	7.4	6.6
	10	0.50	18.6	14.9	12.4	10.6	9.3	8.3	7.4	6.2	5.3	4.6	4.1
TF-VS5	20	0.71	26	21	17.6	15.1	13.2	11.7	10.5	8.8	7.5	6.6	5.9
TF-VP5	30	0.87	32	26	22	18.5	16.1	14.4	12.9	10.8	9.2	8.1	7.2
BLUE	40	1.00	37	30	25	21	18.6	16.5	14.9	12.4	10.6	9.3	8.3
	10	0.75	28	22	18.6	15.9	13.9	12.4	11.1	9.3	8.0	7.0	6.2
TF-VS7.5	20	1.06	39	31	26	22	19.7	17.5	15.7	13.1	11.2	9.8	8.7
TF-VP7.5	30	1.30	48	39	32	28	24	21	19.3	16.1	13.8	12.1	10.7
GREEN	40	1.50	56	45	37	32	28	25	22	18.6	15.9	13.9	12.4
	10	1.00	37	30	25	21	18.6	16.5	14.9	12.4	10.6	9.3	8.3
TF-VS10	20	1.41	52	42	35	30	26	23	21	17.4	15.0	13.1	11.6
TF-VP10	30	1.73	64	51	43	37	32	29	26	21	18.4	16.1	14.3
BLACK	40	2.00	74	59	50	42	37	33	30	25	21	18.6	16.5

FLOODJET WIDE ANGLE FLAT SPRAY TIPS & NOZZLES

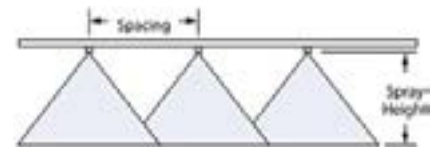


****Always verify tips or orifices you received are the size which you require before using with chemical.
Chemical rates need to be obtained from your chemical dealer.****

**THE FLOODJET TIPS AND NOZZLES PRODUCE A VERY WIDE
DEFLECTOR TYPE FLAT SPRAY PATTERN. ROUND ORIFICE
MINIMIZES CLOGGING.**

		PSI	GPM	GPA																	
				4	5	6	8	10	12	14	16	18	20								
				mph	mph	mph	mph	mph	mph	mph	mph	mph	mph	mph							
		10	0.05																		
TK-*50	1/8K-*50	20	0.07	2.6	2.1	1.7	1.3	1.0	0.87	0.74	0.65	0.58	0.52								
		30	0.09	3.3	2.7	2.2	1.7	1.3	1.11	0.95	0.84	0.74	0.67								
		40	0.10	3.7	3.0	2.5	1.9	1.5	1.2	1.1	0.93	0.83	0.74								
TK-*75	1/8K-*75	10	0.08	3.0	2.4	2.0	1.5	1.2	0.99	0.85	0.74	0.66	0.59								
		20	0.11	4.1	3.3	2.7	2.0	1.6	1.4	1.2	1.0	0.91	0.82								
		30	0.13	4.8	3.9	3.2	2.4	1.9	1.6	1.4	1.2	1.1	0.97								
TK-*1	1/8K-*1	40	0.15	5.6	4.5	3.7	2.8	2.2	1.9	1.6	1.4	1.2	1.1								
		10	0.10	3.7	3.0	2.5	1.9	1.5	1.2	1.1	0.93	0.83	0.74								
		20	0.14	5.2	4.2	3.5	2.6	2.1	1.7	1.5	1.3	1.2	1.0								
TK-*1.5	1/8K-*1.5	30	0.17	6.3	5.0	4.2	3.2	2.5	2.1	1.8	1.6	1.4	1.3								
		40	0.20	7.4	5.9	5.0	3.7	3.0	2.5	2.1	1.9	1.7	1.5								
		10	0.15	5.6	4.5	3.7	2.8	2.2	1.9	1.6	1.4	1.2	1.1								
TK-VS2		20	0.21	7.8	6.2	5.2	3.9	3.1	2.6	2.2	1.9	1.7	1.6								
		30	0.26	9.7	7.7	6.4	4.8	3.9	3.2	2.8	2.4	2.1	1.9								
		40	0.30	11.1	8.9	7.4	5.6	4.5	3.7	3.2	2.8	2.5	2.2								
TK-*2	1/8K-*2	10	0.20	7.4	5.9	5.0	3.7	3.0	2.5	2.1	1.9	1.7	1.5								
		20	0.28	10.4	8.3	6.9	5.2	4.2	3.5	3.0	2.6	2.3	2.1								
		30	0.35	13.0	10.4	8.7	6.5	5.2	4.3	3.7	3.2	2.9	2.6								
TK-VS2.5		40	0.40	14.9	11.9	9.9	7.4	5.9	5.0	4.2	3.7	3.3	3.0								
		10	0.25	9.3	7.4	6.2	4.6	3.7	3.1	2.7	2.3	2.1	1.9								
		20	0.35	13.0	10.4	8.7	6.5	5.2	4.3	3.7	3.2	2.9	2.6								
TK-*2.5	1/8K-*2.5	30	0.43	16.0	12.8	10.6	8.0	6.4	5.3	4.6	4.0	3.5	3.2								
		40	0.50	18.6	14.9	12.4	9.3	7.4	6.2	5.3	4.6	4.1	3.7								
		10	0.30	11.1	8.9	7.4	5.6	4.5	3.7	3.2	2.8	2.5	2.2								
TK-VS3		20	0.42	15.6	12.5	10.4	7.8	6.2	5.2	4.5	3.9	3.5	3.1								
		TK-*3	30	0.52	19.3	15.4	12.9	9.7	7.7	6.4	5.5	4.8	4.3	3.9							
		40	0.60	22	17.8	14.9	11.1	8.9	7.4	6.4	5.6	5.0	4.5								
TK-VS4		10	0.40	14.9	11.9	9.9	7.4	5.9	5	4.2	3.7	3.3	3.0								
		20	0.57	21	16.9	14.1	10.6	8.5	7.1	6	5.3	4.7	4.2								
		TK-*4	30	0.69	26	20	17.1	12.8	10.2	8.5	7.3	6.4	5.7	5.1							
TK-VS5		40	0.80	30	24	19.8	14.9	11.9	9.9	8.5	7.4	6.6	5.9								
		10	0.50	18.6	14.9	12.4	9.3	7.4	6.2	5.3	4.6	4.1	3.7								
		TK-*5	20	0.71	26	21	17.6	13.2	10.5	8.8	7.5	6.6	5.9	5.3							
TK-VS7.5		30	0.87	32	26	22	16.1	12.9	10.8	9.2	8.1	7.2	6.5								
		40	1.00	37	30	25	18.6	14.9	12.4	10.6	9.3	8.3	7.4								
		10	0.75	28	22	18.6	13.9	11.1	9.3	8.0	7.0	6.2	5.6								
TK-*7.5	1/8K-*7.5	20	1.06	39	31	26	19.7	15.7	13.1	11.2	9.8	8.7	7.9								
		30	1.30	48	39	32	24	19.3	16.1	13.8	12.1	10.7	9.7								
		40	1.50	56	45	37	28	22	18.6	15.9	13.9	12.4	11.1								
TK-VS10		10	1.00	37	30	25	18.6	14.9	12.4	10.6	9.3	8.3	7.4								
		20	1.41	52	42	35	26	21	17.4	15.0	13.1	11.6	10.5								
		TK-*10	30	1.73	64	51	43	32	26	21	18.4	16.1	14.3	12.8							
TK-VS12		40	2.00	74	59	50	37	30	25	21	18.6	16.5	14.9								
		10	1.20	45	36	30	22	17.8	14.9	12.7	11.1	9.9	8.9								
		20	1.70	63	50	42	32	25	21	18.0	15.8	14.0	12.6								
TK-*15	1/8K-*15	30	2.08	77	62	51	39	31	26	22	19.3	17.2	15.4								
		40	2.40	89	71	59	45	36	30	25	22	19.8	17.8								
		10	1.50	56	45	37	28	22	18.6	15.9	13.9	12.4	11.1								
TK-*18		20	2.12	79	63	52	39	31	26	22	19.7	17.5	15.7								
		30	2.60	97	77	64	48	39	32	28	24	21	19.3								
		40	3.00	111	89	74	56	45	37	32	28	25	22								
TK-*20	1/8K-*20	10	1.80	67	53	45	33	27	22	19.1	16.7	14.9	13.4								
		20	2.55	95	76	63	47	38	32	27	24	21	18.9								
		30	3.12	116	93	77	58	46	39	33	29	26	23								
TK-QCK-SS20		40	3.60	134	107	89	67	53	45	38	33	30	27								
		10	2.00	74	59	50	37	30	25	21	18.6	16.5	14.9								
		20	2.83	105	84	70	53	42	35	30	26	23	21								
TK-1/4K*22		30	3.46	128	103	86	64	51	43	37	32	29	26								
		40	4.00	149	119	99	74	59	50	42	37	33	30								
		10	2.20	82	65	54	41	33	27	23	20	18.2	16.3								
TK-1/4K*24		20	3.11	115	92	77	58	46	38	33	29	26	23								
		30	3.81	141	113	94	71	57	47	40	35	31	28								
		40	4.40	163	131	109	82	65	54	47	41	36	33								
TK-1/4K*24		10	2.40	89	71	59	45	36	30	25	22	19.8	17.8								
		20	3.39	126	101	84	63	50	42	36	31	28	25								
		30	4.16	154	124	103	77	62	51	44	39	34	31								
40	4.80	178	143	119	89	71	59	51	45	40	36										

STYLE	DESCRIPTION	SIZE	PRICE
TKSS	ALL STAINLESS	5-40	14.96 \$
TKVS	STAINLESS-VISIFLO		14.24 \$
1/4KSS	THREADED SS	1/4"	23.06 \$
3/8KSS	THREADED SS	3/8"	30.92 \$
1/8KSS	THREADED SS	1/8"	19.08 \$
QCK-SS	STAINLESS-VISIFLO	20-40	44.97 \$
QCK-SS	STAINLESS-VISIFLO	50-80	49.17 \$
QCK-SS	STAINLESS-VISIFLO	100-120	61.35 \$
QCK-SS	STAINLESS-VISIFLO	150-200	96.97 \$



THERE IS NO RECOMMENDED SPRAY HEIGHT FOR STANDARD FLOOD JET TIPS. RAISE OR LOWER SPRAY BOOM OR ROTATE NOZZLE BODIES TO DOUBLE OVERLAP SPRAY PATTERNS AND PROVIDE OPTIMUM COVERAGE ALONG BOOM.



FLOODJET WIDE ANGLE FLAT SPRAY TIPS & NOZZLES



		PSI	GPM	GPA											
				4 mph	5 mph	6 mph	8 mph	10 mph	12 mph	14 mph	16 mph	18 mph	20 mph		
		10	2.7	67	53	45	33	27	22	19.1	16.7	14.9	13.4		
	1/4K-27	20	3.8	94	75	63	47	38	31	27	24	21	18.8		
		30	4.7	116	93	78	58	47	39	33	29	26	23		
		40	5.4	134	107	89	67	53	45	38	33	30	27		
		10	3.0	74	59	50	37	30	25	21	18.6	16.5	14.9		
	TK-30	20	4.2	104	83	69	52	42	35	30	26	23	21		
	QCK-SS30	30	5.2	129	103	86	64	51	43	37	32	29	26		
		40	6.0	149	119	99	74	59	50	42	37	33	30		
		10	3.5	87	69	58	43	35	29	25	22	19.3	17.3		
	3/8K-35	20	4.9	121	97	81	61	49	40	35	30	27	24		
		30	6.1	151	121	101	75	60	50	43	38	34	30		
		40	7.0	173	139	116	87	69	58	50	43	39	35		
		10	4.0	99	79	66	50	40	33	28	25	22	19.8		
	3/8K-40	20	5.7	141	113	94	71	56	47	40	35	31	28		
	QCK-SS40	30	6.9	171	137	114	85	68	57	49	43	38	34		
		40	8.0	198	158	132	99	79	66	57	50	44	40		
		10	4.5	111	89	74	56	45	37	32	28	25	22		
	3/8K-45	20	6.4	158	127	106	79	63	53	45	40	35	32		
		30	7.8	193	154	129	97	77	64	55	48	43	39		
		40	9.0	223	178	149	111	89	74	64	56	50	45		
		10	5.0	124	99	83	62	50	41	35	31	28	25		
	1/2K-50	20	7.1	176	141	117	88	70	59	50	44	39	35		
	QCK-SS50	30	8.7	215	172	144	108	86	72	62	54	48	43		
		40	10.0	248	198	165	124	99	83	71	62	55	50		
		10	6.0	149	119	99	74	59	50	42	37	33	30		
	1/2K-60	20	8.5	210	168	140	105	84	70	60	53	47	42		
	QCK-SS60	30	10.4	257	206	172	129	103	86	74	64	57	51		
		40	12.0	297	238	198	149	119	99	85	74	66	59		
		10	7.0	173	139	116	87	69	58	50	43	39	35		
	1/2K-70	20	9.9	245	196	163	123	98	82	70	61	54	49		
		30	12.1	299	240	200	150	120	100	86	75	67	60		
		40	14.0	347	277	231	172	139	116	99	87	77	69		
		10	8.0	198	158	132	99	79	66	57	50	44	40		
	1/2K-80	20	11.3	280	224	186	140	112	93	80	70	62	56		
	QCK-SS80	30	13.9	344	275	229	172	138	115	98	86	76	69		
		40	16.0	396	317	264	198	158	132	113	99	88	79		
		10	9.0	223	178	149	111	89	74	64	56	50	45		
	3/4K-90	20	12.7	314	251	210	157	126	105	90	79	70	63		
		30	15.6	386	309	257	193	154	129	110	97	86	77		
		40	18.0	446	356	297	223	178	149	127	111	99	89		
		10	10.0	248	198	165	124	99	83	70	62	55	50		
	3/4K-100	20	14.1	349	279	233	174	140	116	100	87	78	70		
	QCK-SS100	30	17.3	428	343	285	214	171	143	122	107	95	86		
		40	20.0	495	396	330	248	198	165	141	124	110	99		
		10	11.0	272	218	182	136	109	91	78	68	61	54		
	3/4K-110	20	15.6	386	309	257	193	154	129	110	97	86	77		
		30	19.1	473	378	315	236	189	158	135	118	105	95		
		40	22.0	545	436	363	272	218	182	156	136	121	109		
		10	12.0	297	238	198	149	119	99	85	74	66	59		
	3/4K-120	20	17.0	421	337	281	210	168	140	120	105	94	84		
	QCK-SS120	30	20.8	515	412	343	257	206	172	147	129	114	103		
		40	24.0	594	475	396	297	238	198	170	149	132	119		
		10	14.0	347	277	231	173	139	116	99	87	77	69		
	3/4K-140	20	19.8	490	392	327	245	196	163	140	123	109	98		
		30	24.2	599	479	399	299	240	200	171	150	133	120		
		40	28.0	693	554	462	347	277	231	198	173	154	139		
		10	15.0	371	297	248	186	149	124	106	93	83	74		
	QCK-SS150	20	21.2	525	420	350	262	210	175	150	131	117	105		
		30	26.0	644	515	429	322	257	215	184	161	143	129		
		40	30.0	743	594	495	371	297	248	212	186	165	149		
		10	16.0	396	317	264	198	158	132	113	99	88	79		
	3/4K-160	20	22.6	559	447	373	280	224	186	160	140	124	112		
		30	27.7	686	548	457	343	274	229	196	171	152	137		
		40	32.0	792	634	528	396	317	264	226	198	176	158		
		10	18.0	446	356	297	223	178	149	127	111	99	89		
	3/4K-180	20	25.5	631	505	421	316	252	210	180	158	140	126		
	QCK-SS180	30	31.2	772	618	515	386	309	257	221	193	172	154		
		40	36.0	891	713	594	446	356	297	255	223	198	178		
		10	21.0	520	416	347	260	208	173	149	130	116	104		
	3/4K-210	20	29.7	735	588	490	368	294	245	210	184	163	147		
	QCK-SS210	30	36.4	901	721	601	450	360	300	257	225	200	180		
		40	42.0	1040	832	693	520	416	347	297	260	231	208		

STYLE	DESCRIPTION	SIZE	PRICE
TKSS	ALL STAINLESS	.5-40	14.96 S
TKVS	STAINLESS-VISIFLO		14.24 S
1/4KSS	THREADED SS	1/4"	23.06 S
3/8KSS	THREADED SS	3/8"	30.92 S
1/8KSS	THREADED SS	1/8"	19.08 S
QCK-SS	STAINLESS-VISIFLO	20-40	44.97 S
QCK-SS	STAINLESS-VISIFLO	50-80	49.17 S
QCK-SS	STAINLESS-VISIFLO	100-120	61.35 S
QCK-SS	STAINLESS-VISIFLO	150-200	96.97 S

DISC-CORE TYPE FULL CONE SPRAY TIP



****Always verify tips or orifices you received are the size which you require before using with chemical.
Chemical rates need to be obtained from your chemical dealer.****

ORIFICE DISCS:

AVAILABLE IN A VARIETY OF SIZES AND MATERIALS, CERAMIC FOR INCREASED WEAR LIFE, HARDENED STAINLESS STEEL, STAINLESS STEEL AND POLYMER.



CORES:

STANDARD CORES ARE MADE OF BRASS, ALSO AVAILABLE IN CERAMIC, HARDENED STAINLESS STEEL, ALUMINUM AND NYLON. ALL CORES EXCEPT CERAMIC ARE MADE WITH READ "NIBS", BE SURE CORE IS ALWAYS PLACED WITH THE NIB FACING THE NOZZLE BODY.

PART #	DISC DESCRIPTION	PRICE
DCER-2	CERAMIC	4.93 \$
D2	HARDENED STAINLESS	1.79 \$
DE-2	STAINLESS	1.62 \$
DVP-2	POLYMER	1.15 \$

PART #	CORE DESCRIPTION	PRICE
DC-XX-CER	CERAMIC	7.49 \$
DC-XX-HSS	HARDENED STAINLESS	7.44 \$
DC-XX	BRASS	3.11 \$
DC-XX-NY	NYLON	1.62 \$

DISC	CORE	SIZE	GPM										SPRAY ANGLE		
			10	20	30	40	60	80	100	150	200	300	20	40	80
			PSI	PSI	PSI	PSI	PSI	PSI	PSI	PSI	PSI	PSI	PSI	PSI	PSI
DI	DC31	.031"	0.08	0.11	0.13	0.15	0.18	0.20	0.23	0.27	0.31	0.37	49°	47°	43°
D1.5	DC31	.036"	0.10	0.14	0.17	0.19	0.23	0.26	0.29	0.35	0.40	0.48	57°	65°	53°
D2	DC31	.041"	0.12	0.16	0.19	0.22	0.26	0.30	0.33	0.40	0.45	0.55	62°	63°	61°
D3	DC31	.047"	0.13	0.18	0.21	0.24	0.29	0.33	0.37	0.44	0.50	0.60	63°	65°	63°
D1.5	DC33	.031"	0.09	0.11	0.12	0.14	0.17	0.20	0.22	0.26	0.30	0.37	27°	32°	35°
D1.5	DC33	.036"	0.12	0.15	0.17	0.19	0.23	0.26	0.30	0.36	0.41	0.50	37°	43°	45°
D2	DC33	.041"	0.13	0.17	0.21	0.24	0.29	0.33	0.37	0.45	0.52	0.63	45°	52°	55°
D3	DC33	.047"	0.15	0.21	0.25	0.29	0.36	0.41	0.45	0.55	0.63	0.76	48°	54°	57°
D4	DC33	.063"	0.20	0.28	0.34	0.39	0.47	0.54	0.60	0.73	0.83	1.02	50°	56°	61°
D1.5	DC35	.031"	0.08	0.11	0.13	0.14	0.17	0.20	0.22	0.26	0.29	0.35	19°	23°	26°
D1.5	DC35	.036"	0.10	0.14	0.17	0.19	0.23	0.26	0.29	0.34	0.39	0.46	23°	27°	29°
D2	DC35	.041"	0.14	0.18	0.24	0.25	0.30	0.34	0.37	0.45	0.51	0.60	40°	44°	47°
D3	DC35	.047"	0.16	0.22	0.26	0.30	0.36	0.41	0.45	0.55	0.62	0.74	45°	50°	52°
D4	DC35	.063"	0.27	0.37	0.44	0.50	0.60	0.70	0.79	0.93	1.10	1.30	68°	70°	71°
D5	DC35	.078"	0.34	0.48	0.58	0.66	0.80	0.92	1.00	1.20	1.40	1.70	67°	69°	71°
D2	DC56	.041"			0.21	0.25	0.30	0.35	0.39	0.47	0.55	0.67		14°	17°
D3	DC56	.047"			0.29	0.34	0.41	0.48	0.53	0.65	0.75	0.92		20°	23°
D4	DC56	.063"		0.39	0.48	0.55	0.67	0.78	0.87	1.06	1.23	1.51	20°	26°	29°
D5	DC56	.078"	0.38	0.54	0.66	0.76	0.93	1.08	1.20	1.47	1.69	2.08	26°	32°	34°
D6	DC56	.094"	0.55	0.78	0.95	1.10	1.35	1.55	1.74	2.13	2.46	3.02	34°	39°	41°
D7	DC56	.109"	0.76	1.07	1.32	1.52	1.86	2.15	2.40	2.94	3.40	4.16	45°	52°	54°
D8	DC56	.125"	0.96	1.36	1.67	1.93	2.36	2.73	3.05	3.73	4.32	5.28	52°	57°	59°
D10	DC56	.156"	1.35	1.91	2.34	2.70	3.31	3.82	4.26	5.22	6.03	7.39	62°	65°	67°

DISC-CORE TYPE HOLLOW CONE SPRAY TIP

****Always verify tips or orifices you received are the size which you require before using with chemical.
Chemical rates need to be obtained from your chemical dealer.****

TYPICAL ASSEMBLY W/CERAMIC DISC & CORE



PART #	DISC DESCRIPTION	PRICE
DCER-2	CERAMIC	4.93 S
D2	HARDENED STAINLESS	1.79 S
DE-2	STAINLESS	1.62 S
DVP-2	POLYMER	1.15 S

PART #	CORE DESCRIPTION	PRICE
DC-XX-CER	CERAMIC	7.49 S
DC-XX-HSS	HARDENED STAINLESS	7.44 S
DC-XX	BRASS	3.11 S
DC-XX-NY	NYLON	1.62 S

DISC	CORE	SIZE	GPM										SPRAY ANGLE		
			10 PSI	20 PSI	30 PSI	40 PSI	60 PSI	80 PSI	100 PSI	150 PSI	200 PSI	300 PSI	20 PSI	40 PSI	80 PSI
D1	DC13	.031"			0.059	0.066	0.078	0.088	0.097	0.115	0.128	0.152		51°	62°
D1.5	DC13	.036"		0.057	0.067	0.075	0.088	0.098	0.110	0.127	0.142	0.167	38°	55°	66°
D2	DC13	.041"		0.064	0.075	0.08	0.10	0.11	0.12	0.14	0.16	0.18	49°	67°	72°
D3	DC13	.047"		0.071	0.08	0.09	0.11	0.12	0.13	0.16	0.18	0.20	53°	70°	75°
D4	DC13	.063"	0.070	0.09	0.11	0.12	0.14	0.16	0.17	0.20	0.23	0.27	69°	79°	83°
D1.5	DC23	.031"			0.064	0.072	0.080	0.096	0.107	0.124	0.139	0.164		47°	58°
D1.5	DC23	.036"		0.640	0.076	0.086	0.103	0.117	0.130	0.155	0.175	0.210	34°	51°	62°
D2	DC23	.041"		0.078	0.092	0.10	0.13	0.14	0.16	0.19	0.21	0.25	51°	63°	70°
D3	DC23	.047"	0.065	0.087	0.10	0.12	0.14	0.16	0.18	0.21	0.24	0.28	58°	69°	75°
D4	DC23	.063"	0.082	0.113	0.14	0.15	0.19	0.21	0.23	0.28	0.32	0.38	68°	82°	87°
D5	DC23	.078"	0.095	0.13	0.16	0.18	0.22	0.25	0.28	0.34	0.38	0.46	79°	89°	94°
D6	DC23	.094"	0.112	0.15	0.19	0.21	0.26	0.29	0.32	0.39	0.45	0.54	84°	93°	98°
D1.5	DC25	.031"			0.088	0.101	0.122	0.138	0.156	0.185	0.210	0.255		27°	43°
D1.5	DC25	.036"			0.118	0.135	0.162	0.185	0.205	0.245	0.280	0.33		38°	49°
D2	DC25	.041"		0.12	0.14	0.16	0.19	0.22	0.25	0.29	0.34	0.41	39°	51°	58°
D3	DC25	.047"	0.10	0.14	0.17	0.19	0.23	0.26	0.29	0.35	0.40	0.48	52°	61°	67°
D4	DC25	.063"	0.15	0.21	0.25	0.29	0.35	0.40	0.45	0.54	0.62	0.75	67°	74°	80°
D5	DC25	.078"	0.18	0.25	0.30	0.35	0.42	0.48	0.54	0.65	0.75	0.90	73°	79°	84°
D6	DC25	.094"	0.23	0.32	0.39	0.44	0.54	0.62	0.70	0.85	0.97	1.19	79°	85°	89°
D7	DC25	.109"	0.26	0.37	0.45	0.52	0.63	0.73	0.81	0.98	1.18	1.37	85°	91°	93°
D8	DC25	.125"	0.31	0.43	0.53	0.61	0.75	0.89	0.97	1.19	1.36	1.68	91°	96°	97°
D10	DC25	.156"	0.38	0.54	0.65	0.76	0.93	1.07	1.21	1.48	1.71	2.10	97°	102°	103°
D12	DC25	.188"	0.46	0.61	0.80	0.93	1.15	1.32	1.47	1.81	2.09	2.55	103°	109°	112°
D14	DC25	.219"	0.51	0.72	0.88	1.03	1.26	1.47	1.65	2.02	2.34	2.89	108°	113°	114°
D1	DC45	.031"				0.125	0.148	0.170	0.190	0.225	0.257	0.310		22°	34°
D1.5	DC45	.036"			0.14	0.16	0.20	0.23	0.25	0.31	0.35	0.43		33°	44°
D2	DC45	.041"		0.14	0.18	0.20	0.25	0.28	0.32	0.38	0.44	0.53	32°	46°	55°
D3	DC45	.047"		0.17	0.20	0.23	0.28	0.33	0.36	0.44	0.51	0.62	40°	53°	60°
D4	DC45	.063"	0.18	0.25	0.31	0.36	0.43	0.50	0.56	0.68	0.78	0.95	62°	69°	72°
D5	DC45	.078"	0.23	0.32	0.39	0.45	0.55	0.64	0.71	0.86	0.99	1.22	67°	73°	76°
D6	DC45	.094"	0.29	0.41	0.50	0.58	0.72	0.83	0.93	1.15	1.33	1.64	73°	79°	81°
D7	DC45	.109"	0.33	0.48	0.59	0.68	0.84	0.97	1.11	1.35	1.57	1.94	81°	86°	87°
D8	DC45	.125"	0.41	0.59	0.72	0.84	1.04	1.21	1.35	1.68	1.94	2.40	86°	90°	90°
D10	DC45	.156"	0.54	0.77	0.94	1.10	1.35	1.57	1.77	2.18	2.50	3.10	90°	93°	93°
D12	DC45	.188"	0.67	0.95	1.17	1.36	1.68	1.95	2.20	2.69	3.11	3.80	97°	100°	102°
D14	DC45	.218"	0.75	1.07	1.32	1.53	1.89	2.19	2.45	3.00	3.49	4.30	101°	104°	105°
D16	DC45	.250"	0.86	1.25	1.54	1.79	2.20	2.57	2.89	3.54	4.11	5.20	108°	111°	112°
D1	DC46	.031"				0.145	0.178	0.205	0.23	0.28	0.32	0.39		13°	15°
D1.5	DC46	.036"				0.213	0.260	0.300	0.33	0.41	0.46	0.56		15°	17°
D2	DC46	.041"			0.24	0.27	0.33	0.37	0.42	0.50	0.57	0.68		18°	21°
D3	DC46	.047"		0.23	0.28	0.32	0.39	0.45	0.51	0.61	0.70	0.86	14°	20°	24°

QUICK TURBO FLOODJET WIDE ANGLE FLAT SPRAY TIP

FEATURES:

PATENTED TURBULENCE CHAMBER CREATES A DRAMATIC IMPROVEMENT PATTERN UNIFORMITY.
 PRE-ORIFICE DESIGN PRODUCES LARGER DROPLETS FOR REDUCED DRIFT.
 LARGE ROUND ORIFICE REDUCES CLOGGING.
 GROOVED SIDE MOLDING FOR AUTOMATIC ALIGNMENT WITH ANY QUICK COUPLER.
 STAINLESS STEEL WITH COLOR-CODING FOR EASY SIZE IDENTIFICATION.
 AVAILABLE IN STANDARD SIZES FROM 1.5 GPM TO 24 GPM AT PRESSURES OF 10 - 40 PSI.

PART	SIZE	PRICE
QCTF-VS-XX	15-80	41.82 S
QCTF-VS-XX	100-120	57.08 S

OPTIMUM SPRAY HEIGHT	
SPACING	HEIGHT
40"	40"
60"	60"



	PSI	GPM	GPA							
			4 mph	6 mph	8 mph	10 mph	12 mph	14 mph	16 mph	18 mph
QCTF-VS15	10	1.50	37	25	18.6	14.9	12.4	10.6	9.3	8.3
	20	2.12	52	35	26	21	17.5	15.0	13.1	11.7
	30	2.60	64	43	32	26	21	18.4	16.1	14.3
	40	3.00	74	50	37	30	25	21	18.6	16.5
QCTF-VS20	10	2.00	50	33	25	19.8	16.5	14.1	12.4	11.0
	20	2.83	70	47	35	28	23	20	17.5	15.6
	30	3.46	86	57	43	34	29	24	21	19.0
	40	4.00	99	66	50	40	33	28	25	22
QCTF-VS30	10	3.00	74	50	37	30	25	21	18.6	16.5
	20	4.24	105	70	52	42	35	30	26	23
	30	5.20	129	86	64	51	43	37	32	29
	40	6.00	149	99	74	59	50	42	37	33
QCTF-VS40	10	4.00	99	66	50	40	33	28	25	22
	20	5.66	140	93	70	56	47	40	35	31
	30	6.93	172	114	86	69	57	49	43	38
	40	8.00	198	132	99	79	66	57	50	44
QCTF-VS50	10	5.00	124	83	62	50	41	35	31	28
	20	7.07	175	117	78	70	58	50	44	39
	30	8.66	214	143	107	86	71	61	54	48
	40	10.00	248	165	124	99	83	71	62	55
QCTF-VS60	10	6.00	149	99	74	59	50	42	37	33
	20	8.49	210	140	105	84	70	60	53	47
	30	10.4	257	172	129	103	86	74	64	57
	40	12.0	297	198	149	119	99	85	74	66
QCTF-VS80	10	8.00	198	132	99	79	66	57	50	44
	20	11.3	280	186	140	112	93	80	70	62
	30	13.9	344	229	172	138	115	98	86	76
	40	16.0	396	264	198	158	132	113	99	88
QCTF-VS100	10	10.0	248	165	124	99	83	71	62	55
	20	14.1	349	233	174	140	116	100	87	78
	30	17.3	428	285	214	171	143	122	107	95
	40	20.0	495	330	248	198	165	141	124	110
QCTF-VS120	10	12.0	297	198	149	119	99	85	74	66
	20	17.0	421	281	210	168	140	120	105	94
	30	20.8	515	343	257	206	172	147	129	114
	40	24.0	594	396	297	238	198	170	149	132

OFF-CENTER FLAT SPRAY TIP SMALL CAPACITIES

****Always verify tips or orifices you received are the size which you require before using with chemical.
Chemical rates need to be obtained from your chemical dealer.****



PART	PRICE
OC-02 THRU OC-16	13.34 S
OC-SS-02 THRU OC-SS-16	19.72 S



TEEJET OFF-CENTER SPRAY TIPS ARE COMMONLY INSTALLED IN DOUBLE AND SINGLE NOZZLE BODIES. BECAUSE THESE BODIES ARE ADJUSTABLE FOR ANGULAR POSITION, A WIDE SPRAY SWATH IS EASILY OBTAINED.

RECOMMENDED SPRAYING PRESSURES ARE 30-60 PSI (2-4 BAR).

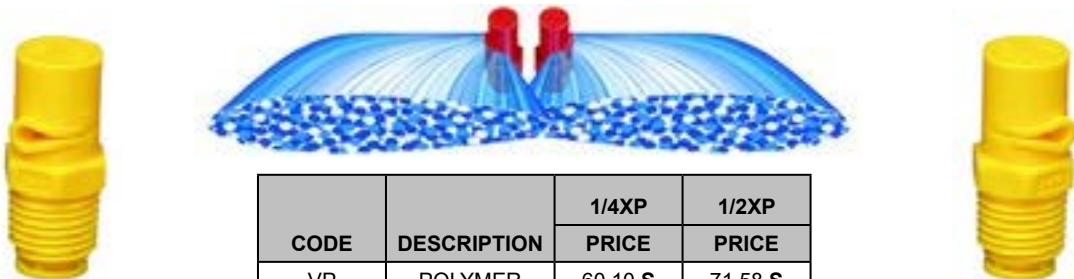
AVAILABLE IN STAINLESS STEEL AND BRASS.

	PSI	GPM	"H" = 18"				"H" = 24"					
			"W" in inches	GPA				"W" in inches	GPA			
				3 mph	4 mph	5 mph	6 mph		3 mph	4 mph	5 mph	6 mph
OC-02	30	0.17	68	5.0	3.7	3.0	2.5	75	4.5	3.4	2.7	2.2
	40	0.20	70	5.7	4.2	3.4	2.8	77	5.1	3.9	3.1	2.6
	60	0.24	72	6.6	5.0	4.0	3.3	78	6.1	4.6	3.7	3.0
OC-03	30	0.26	77	6.7	5.0	4.0	3.3	80	6.4	4.8	3.9	3.2
	40	0.30	80	7.4	5.6	4.5	3.7	83	7.2	5.4	4.3	3.6
	60	0.37	82	8.9	6.7	5.4	4.5	85	8.6	6.5	5.2	4.3
OC-04	30	0.35	91	7.6	5.7	4.6	3.8	93	7.5	5.6	4.5	3.7
	40	0.40	93	8.5	6.4	5.1	4.3	94	8.4	6.3	5.1	4.2
	60	0.49	94	10.3	7.7	6.2	5.2	95	10.2	7.7	6.1	5.1
OC-06	30	0.52	99	10.4	7.8	6.2	5.2	108	9.5	7.2	5.7	4.8
	40	0.60	101	11.8	8.8	7.1	5.9	110	10.8	8.1	6.5	5.4
	60	0.73	102	14.2	10.6	8.5	7.1	111	13.0	9.8	7.8	6.5
OC-08	30	0.69	100	13.7	10.2	8.2	6.8	110	12.4	9.3	7.5	6.2
	40	0.80	102	15.5	11.6	9.3	7.8	112	14.1	10.6	8.5	7.1
	60	0.98	104	18.7	14.0	11.2	9.3	113	17.2	12.9	10.3	8.6
OC-12	30	1.04	102	20	15.1	12.1	10.1	113	18.2	13.7	10.9	9.1
	40	1.20	104	23	17.1	13.7	11.4	115	21	15.5	12.4	10.3
	60	1.47	105	28	21	16.6	13.9	116	25	18.8	15.1	12.5
OC-16	30	1.39	132	21	15.6	12.5	10.4	142	19.4	14.5	11.6	9.7
	40	1.60	138	23	17.2	13.8	11.5	146	22	16.3	13.0	10.8
	60	1.96	143	27	20	16.3	13.6	148	26	19.7	15.7	13.1

XPBOOMJET BOOMLESS FLAT SPRAY NOZZLE



PART#	PSI	TWO NOZZLE		NOZZLE SPACING 3"							36"	NOZZLE SPACING 3"							
		GPM	24" HEIGHT	GPA FOR TWO NOZZLES AT MPH								HEIGHT	GPA FOR TWO NOZZLES AT MPH						
				4	6	8	10	15	20	4			6	8	10	15	20		
1/4XP10R 1/4XP10L	20	1.42	17	10.3	6.9	5.2	4.1	2.8	2.1	20	8.8	5.9	4.4	3.5	2.3	1.8			
	30	1.74	20	10.8	7.2	5.4	4.3	2.9	2.2	22	9.8	6.5	4.9	3.9	2.6	2			
	40	2	22	11.3	7.5	5.6	4.5	3	2.3	25	9.9	6.6	5	4	2.6	2			
	50	2.24	25	11.1	7.4	5.5	4.4	3	2.2	27	10.3	6.8	5.1	4.1	2.7	2.1			
	60	2.44	26	11.6	7.7	5.8	4.6	3.1	2.3	29	10.4	6.9	5.2	4.2	2.8	2.1			
1/4XP20R 1/4XP20L	20	2.84	18	19.5	13	9.8	7.8	5.2	3.9	22	16	10.7	8	6.4	4.3	3.2			
	30	3.5	23	18.8	12.6	9.4	7.5	5.2	3.8	24	18	12	9	7.2	4.8	3.6			
	40	4	27	18.3	12.2	9.2	7.3	4.9	3.7	28	17.7	11.8	8.8	7.1	4.7	3.5			
	50	4.5	29	19.2	12.8	9.6	7.7	5.1	3.8	30	18.6	12.4	9.3	7.4	5	3.7			
	60	5	30	21	13.8	10.3	8.3	5.5	4.1	32	19.3	12.9	9.7	7.7	5.2	3.9			
1/4XP25R 1/4XP25L	20	3.48	21	21	13.7	10.3	8.2	5.5	4.1	22	19.6	13.1	9.8	7.8	5.2	3.9			
	30	4.26	24	22	14.6	11	8.8	5.9	4.4	27	19.5	13	9.8	7.8	5.2	3.9			
	40	5	27	23	15.3	11.5	9.2	6.1	4.6	29	21	14.2	10.7	8.5	5.7	4.3			
	50	5.5	29	23	15.6	11.7	9.4	6.3	4.7	30	23	15.1	11.3	9.1	6.1	4.5			
	60	6	30	25	16.5	12.4	9.9	6.6	5	32	23	15.5	11.6	9.3	6.2	4.6			
1/2XP40R 1/2XP40L	20	5.74	22	32	22	16.1	12.9	8.6	6.5	24	30	19.7	14.8	11.8	7.9	5.9			
	30	7.06	26	34	22	16.8	13.4	9	6.7	29	30	20	15.1	12.1	8	6			
	40	8	2	35	24	17.7	14.1	9.4	7.1	31	32	21	16	12.8	8.5	6.4			
	50	9.1	30	38	25	18.8	15	10.1	7.5	32	35	23	17.6	14.1	9.4	7			
	60	10	32	39	26	19.3	15.5	10.3	7.7	35	35	24	17.7	14.1	9.4	7.1			
1/2XP80R 1/2XP80L	20	11.2	26	53	36	27	21	14.2	10.7	31	45	30	22	17.9	11.9	8.9			
	30	13.7	30	57	38	28	23	15.1	11.3	33	51	34	26	21	13.7	10.3			
	40	16	32	62	41	31	25	16.5	12.4	35	57	38	28	23	15.1	11.3			
	50	17.5	33	66	44	33	26	17.5	13.1	36	60	40	30	24	16	12			
	60	19.2	35	68	45	34	27	18.1	13.6	37	64	43	32	26	17.1	12.8			



CODE	DESCRIPTION	1/4XP	1/2XP
		PRICE	PRICE
VP	POLYMER	60.10 S	71.58 S

PART#	PSI	ONE NOZZLE		NOZZLE SPACING 3"							36"	NOZZLE SPACING 3"							
		GPM	24" HEIGHT	GPA FOR ONE NOZZLES AT MPH								HEIGHT	GPA FOR ONE NOZZLES AT MPH						
				4	6	8	10	15	20	4			6	8	10	15	20		
1/4XP10R 1/4XP10L	20	0.71	8.5	10.3	6.9	5.2	4.1	2.8	2.1	10	8.8	5.9	4.4	3.5	2.3	1.8			
	30	0.87	10	10.8	7.2	5.4	4.3	2.9	2.2	11	9.8	6.5	4.9	3.9	2.6	2			
	40	1	11	11.3	7.5	5.6	4.5	3	2.3	12.5	9.9	6.6	5	4	2.6	2			
	50	1.12	12.5	11.1	7.4	5.5	4.4	3	2.2	13.5	10.3	6.8	5.1	4.1	2.7	2.1			
	60	1.22	13	11.6	7.7	5.8	4.6	3.1	2.3	14.5	10.4	6.9	5.2	4.2	2.8	2.1			
1/4XP20R 1/4XP20L	20	1.42	9	19.5	13	9.8	7.8	5.2	3.9	11	16	10.7	8	6.4	4.3	3.2			
	30	1.75	11.5	18.8	12.6	9.4	7.5	5.2	3.8	12	18	12	9	7.2	4.8	3.6			
	40	2	13.5	18.3	12.2	9.2	7.3	4.9	3.7	14	17.7	11.8	8.8	7.1	4.7	3.5			
	50	2.25	14.5	19.2	12.8	9.6	7.7	5.1	3.8	15	18.6	12.4	9.3	7.4	5	3.7			
	60	2.5	15	21	13.8	10.3	8.3	5.5	4.1	16	19.3	12.9	9.7	7.7	5.2	3.9			
1/4XP25R 1/4XP25L	20	1.74	10.5	21	13.7	10.3	8.2	5.5	4.1	11	19.6	13.1	9.8	7.8	5.2	3.9			
	30	2.13	12	22	14.6	11	8.8	5.9	4.4	13.5	19.5	13	9.8	7.8	5.2	3.9			
	40	2.5	13.5	23	15.3	11.5	9.2	6.1	4.6	14.5	21	14.2	10.7	8.5	5.7	4.3			
	50	2.75	14.5	23	15.6	11.7	9.4	6.3	4.7	15	23	15.1	11.3	9.1	6.1	4.5			
	60	3	16	25	16.5	12.4	9.9	6.6	5	16	23	15.5	11.6	9.3	6.2	4.6			
1/2XP40R 1/2XP40L	20	2.87	11	32	22	16.1	12.9	8.6	6.5	12	30	19.7	14.8	11.8	7.9	5.9			
	30	3.53	13	34	22	16.8	13.4	9	6.7	14.5	30	20	15.1	12.1	8	6			
	40	4	14	35	24	17.7	14.1	9.4	7.1	15.5	32	21	16	12.8	8.5	6.4			
	50	4.55	15	38	25	18.8	15	10.1	7.5	16	35	23	17.6	14.1	9.4	7			
	60	5	16	39	26	19.3	15.5	10.3	7.7	17.5	35	24	17.7	14.1	9.4	7.1			
1/2XP80R 1/2XP80L	20	5.6	13	53	36	27	21	14.2	10.7	15.5	45	30	22	17.9	11.9	8.9			
	30	6.83	15	57	38	28	23	15.1	11.3	16.5	51	34	26	21	13.7	10.3			
	40	8	16	62	41	31	25	16.5	12.4	17.5	57	38	28	23	15.1	11.3			
	50	8.73	16.5	66	44	33	26	17.5	13.1	18	60	40	30	24	16	12			
	60	9.6	17.5	68	45	34	27	18.1	13.6	18.5	64	43	32	26	17.1	12.8			

EVEN FLAT SPRAY TIP

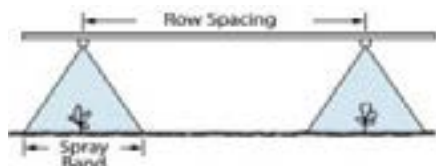
****Always verify tips or orifices you received are the size which you require before using with chemical.
Chemical rates need to be obtained from your chemical dealer.****

FEATURES:

- Ideal for banding over the row or in row middles.
- Provides uniform distribution throughout the flat spray pattern.
- Easily mounted on spray boom or planter.
- Available with VisiFlo color-coding in stainless steel or all stainless steel, hardened stainless steel and brass.



MATERIAL		
CODE	DESCRIPTION	PRICE
VS	VISIFLO SS	7.47 S
HSS	HARDENED SS	18.00 S
SS	STAINLESS STEEL	13.09 S
	BRASS	5.10 S



BAND	SPRAY HEIGHT					GPA	
WIDTH	BY NOZZLE DEGREE					CONVERSION	
	40°	65°	80°	95°	110°	20"	30"
8"	11"	6"	5"	4"	3"	2.50	3.75
10"	14"	8"	6"	5"	4"	2.00	2.00
12"	16"	9"	7"	5"	4"	1.67	2.50
15"	21"	12"	9"	7"	5"	1.33	2.00

TO FIND GPA RATE ON BAND WIDTHS, MULTIPLY THE TABULATED GPA FOR ROW SPACING BY CONVERSION FACTORS.

	PSI	GPM	GPA FOR 30" SPACING											
			3	3.5	4	4.5	5	5.5	6	6.5	7	7.5	8	8.5
TP4001E*	20	0.07	4.6	4.0	3.5	3.1	2.8	2.5	2.3	2.1	2.0	1.8	1.7	1.6
TP6501E*	30	0.09	5.9	5.1	4.5	4.0	3.6	3.2	3.0	2.7	2.5	2.4	2.2	2.1
ORANGE	40	0.10	6.6	5.7	5.0	4.4	4.0	3.6	3.3	3.0	2.8	2.6	2.5	2.3
TP8001E	50	0.11	7.3	6.2	5.4	4.8	4.4	4.0	3.6	3.4	3.1	2.9	2.7	2.6
TP9501E	60	0.12	7.9	6.8	5.9	5.3	4.8	4.3	4.0	3.7	3.4	3.2	3.0	2.8
TP40015E*	20	0.11	7.3	6.2	5.4	4.8	4.4	4.0	3.6	3.4	3.1	2.9	2.7	2.6
TP65015E*	30	0.13	8.6	7.4	6.4	5.7	5.1	4.7	4.3	4.0	3.7	3.4	3.2	3.0
GREEN	40	0.15	9.9	8.5	7.4	6.6	5.9	5.4	5.0	4.6	4.2	4.0	3.7	3.5
TP80015E	50	0.17	11.2	9.6	8.4	7.5	6.7	6.1	5.6	5.2	4.8	4.5	4.2	4.0
TP95015E	60	0.18	11.9	10.2	8.9	7.9	7.1	6.5	5.9	5.5	5.1	4.8	4.5	4.2
TP4002E*	20	0.14	9.2	7.9	6.9	6.2	5.5	5.0	4.6	4.3	4.0	3.7	3.5	3.3
TP6502E*	30	0.17	11.2	9.6	8.4	7.5	6.7	6.1	5.6	5.2	4.8	4.5	4.2	4.0
YELLOW	40	0.20	13.2	11.3	9.9	8.8	7.9	7.2	6.6	6.1	5.7	5.3	5.0	4.7
TP8002E	50	0.22	14.5	12.4	10.9	9.7	8.7	7.9	7.3	6.7	6.2	5.8	5.4	5.1
TP9502E	60	0.24	15.8	13.6	11.9	10.6	9.5	8.6	7.9	7.3	6.8	6.3	5.9	5.6
TP4003E*	20	0.21	13.9	11.9	10.4	9.2	8.3	7.6	6.9	6.4	5.9	5.5	5.2	4.9
TP6503E*	30	0.26	17.2	14.7	12.9	11.4	10.3	9.4	8.6	7.9	7.4	6.9	6.4	6.1
BLUE	40	0.30	19.8	17.0	14.9	13.2	11.9	10.8	9.9	9.1	8.5	7.9	7.4	7.0
TP8003E	50	0.34	22	19.2	16.8	15.0	13.5	12.2	11.2	10.4	9.6	9.0	8.4	7.9
TP9503E	60	0.37	24	21	18.3	16.3	14.7	13.3	12.2	11.3	10.5	9.8	9.2	8.6
TP4004E*	20	0.28	18.5	15.8	13.9	12.3	11.1	10.1	9.2	8.5	7.9	7.4	6.9	6.5
TP6504E*	30	0.35	23	19.8	17.3	15.4	13.9	12.6	11.6	10.7	9.9	9.2	8.7	8.2
RED	40	0.40	26	23	19.8	17.6	15.8	14.4	13.2	12.2	11.3	10.6	9.9	9.3
TP8004E	50	0.45	30	25	22	19.8	17.8	16.2	14.9	13.7	12.7	11.9	11.1	10.5
TP9504E	60	0.49	32	28	24	22	19.4	17.6	16.2	14.9	13.9	12.9	12.1	11.4
TP4005E*	20	0.35	23	19.8	17.3	15.4	13.9	12.6	11.6	10.7	9.9	9.2	8.7	8.2
TP6505E*	30	0.43	28	24	21	18.9	17.0	15.5	14.2	13.1	12.2	11.4	10.6	10.0
BROWN	40	0.50	33	28	25	22	19.8	18.0	16.5	15.2	14.1	13.2	12.4	11.6
TP8005E	50	0.56	37	32	28	25	22	20	18.5	17.1	15.8	14.8	13.9	13.0
TP9505E	60	0.61	40	35	30	27	24	22	20	18.6	17.3	16.1	15.1	14.2
TP4006E*	20	0.42	38	24	21	18.5	16.6	15.1	13.9	12.8	11.9	11.1	10.4	9.8
TP6506E*	30	0.52	34	29	26	23	21	18.7	17.2	15.8	14.7	13.7	12.9	12.1
GRAY	40	0.60	40	34	30	26	24	22	19.8	18.3	17.0	15.8	14.9	14.0
TP8006E	50	0.67	44	38	33	29	27	24	22	20	19.0	17.7	16.6	15.6
TP9506E	60	0.73	48	41	36	32	29	26	24	22	21	19.3	18.1	17.0
TP4008E*	20	0.57	38	32	28	25	23	21	18.8	17.4	16.1	15.0	14.1	13.3
TP6508E*	30	0.69	46	39	34	30	27	25	23	21	19.5	18.2	17.1	16.1
WHITE	40	0.80	53	45	40	35	32	29	26	24	23	21	19.8	18.6
TP8008E	50	0.89	59	50	44	39	35	32	29	27	25	23	22	21
TP11008E	60	0.98	65	55	49	43	39	35	32	30	28	26	24	23
TP4010E*	20	0.71	47	40	35	31	28	26	23	22	20	18.7	17.6	16.5
TP6510E*	30	0.87	57	49	43	38	34	31	29	27	25	23	22	20
TP8010E*	40	1.00	66	57	50	44	40	36	33	30	28	26	25	23
TP11010E*	50	1.12	74	63	55	49	44	40	37	34	32	30	28	26
	60	1.22	81	69	60	54	48	44	40	37	35	32	30	28
TP4015E*	20	1.06	70	60	52	47	42	38	35	32	30	28	26	25
TP6515E*	30	1.30	86	74	64	57	51	47	43	40	37	34	32	30
TP8015E*	40	1.50	99	85	74	66	59	54	50	46	42	40	37	35
TP11015E*	50	1.68	111	95	83	74	67	60	55	51	48	44	42	39
	60	1.84	121	104	91	81	73	66	61	56	52	49	46	43

DRIFT GUARD EVEN FLAT SPRAY TIP

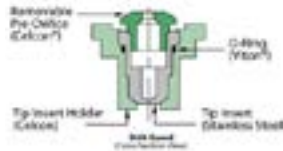


****Always verify tips or orifices you received are the size which you require before using with chemical.
Chemical rates need to be obtained from your chemical dealer.****



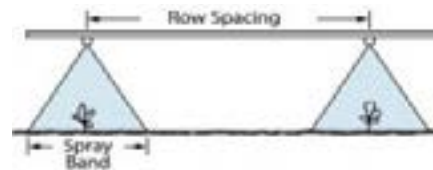
FEATURES:

- **PRE-ORIFICE DESIGN PRODUCES LARGE DROPLETS TO REDUCE DRIFT.
- **IDEAL FOR BANDING OVER THE ROW OR IN ROW MIDDLES.
- **PROVIDES UNIFORM DISTRIBUTION THROUGHOUT THE FLAT SPRAY PATTERN.
- **EASILY MOUNTED ON SPRAY BOOM OR PLANTER.



DG TEEJET DRIFT GUARD \$11.56 S

BAND WIDTH	HEIGHT	GPA CONVERSION FACTOR 30"
8"	4"	3.8
10"	5"	3.0
12"	5"	2.5
15"	7"	2.0
18"	8"	1.7



TO FIND GPA RATE ON BAND WIDTHS, MULTIPLY THE TABULATED GPA FOR ROW SPACING BY CONVERSION FACTORS.

	PSI	GPM	OZ/ MIN.	GPA FOR 30" SPACING					
				3 mph	4 mph	5 mph	6 mph	7 mph	8 mph
DG95015EVS	30	0.13	17	8.6	6.4	5.1	4.3	3.7	3.2
	40	0.15	19	9.9	7.4	5.9	5.0	4.2	3.7
	50	0.17	22	11.2	8.4	6.7	5.6	4.8	4.2
	60	0.18	23	11.9	8.9	7.1	5.9	5.1	4.5
DG9502EVS	30	0.17	22	11.2	8.4	6.7	5.6	4.8	4.2
	40	0.2	26	13.2	9.9	7.9	6.6	5.7	5.0
	50	0.22	28	14.5	10.9	8.7	7.3	6.2	5.4
	60	0.24	31	15.8	11.9	9.5	7.9	6.8	5.9
DG9503EVS	30	0.26	33	17.2	12.9	10.3	8.6	7.4	6.4
	40	0.3	38	19.8	14.9	11.9	9.9	8.5	7.4
	50	0.34	44	22	16.8	13.5	11.2	9.6	8.4
	60	0.37	47	24	18.3	14.7	12.2	10.5	9.2
DG9504EVS	30	0.35	45	23	17.3	13.9	11.6	9.9	8.7
	40	0.4	51	26	19.8	15.8	13.2	11.3	9.9
	50	0.45	58	30	22	17.8	14.9	12.7	11.1
	60	0.49	63	32	24	19.4	16.2	13.9	12.1
DG9505EVS	30	0.43	55	28	21	17.0	14.2	12.2	10.6
	40	0.5	64	33	25	19.8	16.5	14.1	12.4
	50	0.56	72	37	28	22	18.5	15.8	13.9
	60	0.61	78	40	30	24	20	17.3	15.1

AIR INDUCTION EVEN FLAT SPRAY TIP

****Always verify tips or orifices you received are the size which you require before using with chemical.
Chemical rates need to be obtained from your chemical dealer.****

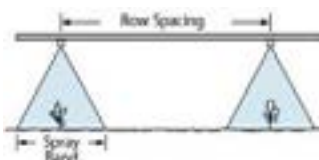


FEATURES:

- *POLYMER INSERT HOLDER AND PRE-ORIFICE WITH VISIFLO COLOR-CODING.
- *LARGER DROPLETS FOR LESS DRIFT.
- *DEPENDING ON THE CHEMICAL, PRODUCES LARGE AIR-FILLED DROPS THROUGH THE USE OF A VENTURI AIR ASPIRATOR.

BAND	HEIGHT	GPA CONVERSION
WIDTH	95°	FACTOR 30"
8"	4"	3.8
10"	5"	3.0
12"	5"	2.5
15"	7"	2.0
18"	8"	1.7

AI TEEJET EVEN \$16.34 S



TO FIND GPA RATE ON BAND WIDTHS, MULTIPLY THE TABULATED GPA FOR ROW SPACING BY CONVERSION FACTORS.

	PSI	1 NOZZLE GPM	1 NOZZLE OZ/MIN.	GPA FOR 30" SPACING							
				4 mph	6 mph	8 mph	10 mph	12 mph	14 mph	16 mph	18 mph
AI95015EVS GREEN	30	0.13	17	6.4	4.3	3.2	2.6	2.1	1.8	1.6	1.4
	40	0.15	19	7.4	5.0	3.7	3.0	2.5	2.1	1.9	1.7
	50	0.17	22	8.4	5.6	4.2	3.4	2.8	2.4	2.1	1.9
	60	0.18	23	8.9	5.9	4.5	3.6	3.0	2.5	2.2	2.0
	70	0.20	26	9.9	6.6	5.0	4.0	3.3	2.8	2.5	2.2
	80	0.21	27	10.4	6.9	5.2	4.2	3.5	3.0	2.6	2.3
	90	0.23	29	11.4	7.6	5.7	4.6	3.8	3.3	2.8	2.5
100	0.24	31	11.9	7.9	5.9	4.8	4.0	3.4	3.0	2.6	
AI9502EVS YELLOW	30	0.17	22	8.4	5.6	4.2	3.4	2.8	2.4	2.1	1.9
	40	0.20	26	9.9	6.6	5.0	4.0	3.3	2.8	2.5	2.2
	50	0.22	28	10.9	7.3	5.4	4.4	3.6	3.1	2.7	2.4
	60	0.24	31	11.9	7.9	5.9	4.8	4.0	3.4	3.0	2.6
	70	0.26	33	12.9	8.6	6.4	5.1	4.3	3.7	3.2	2.9
	80	0.28	36	13.9	9.2	6.9	5.5	4.6	4.0	3.5	3.1
	90	0.30	38	14.9	9.9	7.4	5.9	5.0	4.2	3.7	3.3
100	0.32	41	15.8	10.6	7.9	6.3	5.3	4.5	4.0	3.5	
AI95025EVS TEAL	30	0.22	28	10.9	7.3	5.4	4.4	3.6	3.1	2.7	2.4
	40	0.25	32	12.4	8.3	6.2	5.0	4.1	3.5	3.1	2.8
	50	0.28	36	13.9	9.2	6.9	5.5	4.6	4.0	3.5	3.1
	60	0.31	40	15.3	10.2	7.7	6.1	5.1	4.4	3.8	3.4
	70	0.33	42	16.3	10.9	8.2	6.5	5.4	4.7	4.1	3.6
	80	0.35	45	17.3	11.6	8.7	6.9	5.8	5.0	4.3	3.9
	90	0.38	49	18.8	12.5	9.4	7.5	6.3	5.4	4.7	4.2
100	0.40	51	19.8	13.2	9.9	7.9	6.6	5.7	5.0	4.4	
AI9503EVS BLUE	30	0.26	33	12.9	8.6	6.4	5.1	4.3	3.7	3.2	2.9
	40	0.30	38	14.9	9.9	7.4	5.9	5	4.2	3.7	3.3
	50	0.34	44	16.8	11.2	8.4	6.7	5.6	4.8	4.2	3.7
	60	0.37	47	18.3	12.2	9.2	7.3	6.1	5.2	4.6	4.1
	70	0.40	51	19.8	13.2	9.9	7.9	6.6	5.7	5.0	4.4
	80	0.42	54	21	13.9	10.4	8.3	6.9	5.9	5.2	4.6
	90	0.45	58	22	14.9	11.1	8.9	7.4	6.4	5.6	5.0
100	0.47	60	23	15.5	11.6	9.3	7.8	6.6	5.8	5.2	
AI9504EVS RED	30	0.35	45	17.3	11.6	8.7	6.9	5.8	5.0	4.3	3.9
	40	0.40	51	19.8	13.2	9.9	7.9	6.6	5.7	5.0	4.4
	50	0.45	58	22	14.9	11.1	8.9	7.4	6.4	5.6	5.0
	60	0.49	63	24	16.2	12.1	9.7	8.1	6.9	6.1	5.4
	70	0.53	68	26	17.5	13.1	10.5	8.7	7.5	6.6	5.8
	80	0.57	73	28	18.8	14.1	11.3	9.4	8.1	7.1	6.3
	90	0.60	77	30	19.8	14.9	11.9	9.9	8.5	7.4	6.6
100	0.63	81	31	21	15.6	12.5	10.4	8.9	7.8	6.9	
AI9504EVS BROWN	30	0.43	55	21	14.2	10.6	8.5	7.1	6.1	5.3	4.7
	40	0.50	64	25	16.5	12.4	9.9	8.3	7.1	6.2	5.5
	50	0.56	72	28	18.5	13.9	11.1	9.2	7.9	6.9	6.2
	60	0.61	78	30	20	15.1	12.1	10.1	8.6	7.5	6.7
	70	0.66	84	33	22	16.3	13.1	10.9	9.3	8.2	7.3
	80	0.71	91	35	23	17.6	14.1	11.7	10.0	8.8	7.8
	90	0.75	96	37	25	18.6	14.9	12.4	10.6	9.3	8.3
100	0.79	101	39	26	19.6	15.6	13.0	11.2	9.8	8.7	

TWINJET EVEN FLAT SPRAY TIP



****Always verify tips or orifices you received are the size which you require before using with chemical
Chemical rates need to be obtained from your chemical dealer.****

TWINJET EVEN FLAT \$20.25 S

FEATURES:

IDEAL FOR BANDING OVER OR BETWEEN CROP ROWS.

PROVIDES UNIFORM DISTRIBUTION THROUGHOUT THE SPRAY PATTERN.

AVAILABLE IN 80 AND 40 DEGREE TWIN FLAT SPRAY PATTERN.



	SPRAY HEIGHT BY		GPA
BAND	NOZZLE DEGREE		CONVERSION
WIDTH	40°	80°	30"
8"	11"	5"	3.8
10"	14"	6"	3.0
12"	16"	7"	2.5
15"	21"	9"	2.0

40 AND 80 DEGREE E SERIES

TwinJet even tips combine the advantages of twin flat spray patterns with even distribution across the pattern. The twin flat sprays provide improved coverage of crop or weed without sacrificing uniformity. The small droplet size makes this tip ideal for providing a through, penetrating coverage with post-emergence contact herbicides.

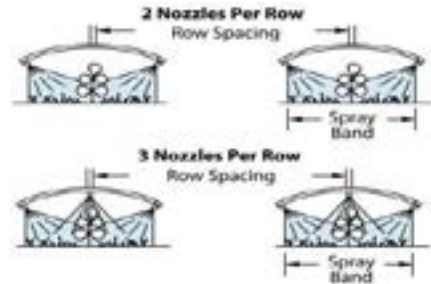
TO FIND GPA RATE ON BAND WIDTHS, MULTIPLY THE TABULATED GPA FOR ROW SPACING BY CONVERSION FACTORS.

	PSI	1	1	GPA FOR 30" SPACING					
		NOZZLE GPM	NOZZLE OZ/ MIN.	3 mph	4 mph	5 mph	6 mph	7 mph	8 mph
TJ60-4002EVS TJ60-8002EVS	20	0.1	18	9.2	6.9	5.5	4.6	4.0	3.5
	30	0.2	22	11.2	8.4	6.7	5.6	4.8	4.2
	40	0.2	26	13.2	9.9	7.9	6.6	5.7	5.0
	50	0.2	28	14.5	10.9	8.7	7.3	6.2	5.4
TJ60-4003EVS TJ60-8003EVS	20	0.2	27	13.9	10.4	8.3	6.9	5.9	5.2
	30	0.3	33	17.2	12.9	10.3	8.6	7.4	6.4
	40	0.3	38	19.8	14.9	11.9	9.9	8.5	7.4
	50	0.3	44	22	16.8	13.5	11.2	9.6	8.4
TJ60-4004EVS TJ60-8004EVS	20	0.3	36	18.5	13.9	11.1	9.2	7.9	6.9
	30	0.4	45	23	17.3	13.9	11.6	9.9	8.7
	40	0.4	51	26	19.8	15.8	13.2	11.3	9.9
	50	0.5	58	30	22	17.8	14.9	12.7	11.1
TJ60-8006EVS	20	0.4	54	28	21	16.6	13.9	11.9	10.4
	30	0.5	67	34	26	21	17.2	14.7	12.9
	40	0.6	77	40	30	24	19.8	17.0	14.9
	50	0.7	86	44	33	27	22	19.0	16.6

CONEJET VISIFLO HOLLOW CONE SPRAY TIP

****Always verify tips or orifices you received are the size which you require before using with chemical.
Chemical rates need to be obtained from your chemical dealer.****

MATERIAL		
CODE	DESCRIPTION	PRICE
TX-VSX	VISIFLO SS	7.88 S
TX-X	BRASS	7.08 S
TX-SSX	STAINLESS	44.18 S
TX-VKX	CERAMIC	7.13 S



BAND WIDTH	GPA CONVERSION
8"	3.8
10"	3.0
12"	2.5
15"	2.0
18"	1.7

- FEATURES:**
 VISIFLO SS OR CERAMIC ORIFICE IN POLY BODY.
 SPRAY ANGLE 80 DEGREE.
 MAX PRESSURE 300PSI.
 IDEAL ROW BANDING WITH 2 OR 3 NOZZLES.

TO FIND GPA RATE ON BAND WIDTHS, MULTIPLY THE TABULATED GPA FOR ROW SPACING BY CONVERSION FACTORS.

	PSI	2 NOZZLE GPM	2 NOZZLE OZ/MIN.	2 NOZZLES PER ROW					PSI	3 NOZZLE GPM	3 NOZZLE OZ/MIN.	3 NOZZLES PER ROW				
				3 mph	4 mph	5 mph	6 mph	7 mph				3 mph	4 mph	5 mph	6 mph	7 mph
TX-SS1	40	0.033	4.2	2.2	1.6	1.3	1.1	0.93	40	0.050	6.4	3.3	2.5	2.0	1.7	1.4
	60	0.039	5.0	2.6	1.9	1.5	1.3	1.1	60	0.059	7.6	3.9	2.9	2.3	1.9	1.7
	75	0.043	5.5	2.8	2.1	1.7	1.4	1.2	75	0.065	8.3	4.3	3.2	2.6	2.1	1.8
	90	0.047	6.0	3.1	2.3	1.9	1.6	1.3	90	0.070	9.0	4.6	3.5	2.8	2.3	2.0
	120	0.053	6.8	3.5	2.6	2.1	1.7	1.5	120	0.079	10	5.2	3.9	3.1	2.6	2.2
TX-SS2	40	0.067	8.6	4.4	3.3	2.7	2.2	1.9	40	0.100	13	6.6	5.0	4.0	3.3	2.8
	60	0.080	10	5.3	4.0	3.2	2.6	2.3	60	0.12	15	7.9	5.9	4.8	4.0	3.4
	75	0.088	11	5.8	4.4	3.5	2.9	2.5	75	0.13	17	8.6	6.4	5.1	4.3	3.7
	90	0.095	12	6.3	4.7	3.8	3.1	2.7	90	0.14	18	9.2	6.9	5.5	4.6	4.0
	120	0.11	14	7.3	5.4	4.4	3.6	3.1	120	0.16	20	10.6	7.9	6.3	5.3	4.5
TX-SS3	40	0.10	13	6.6	5.0	4.0	3.3	2.8	40	0.15	19	9.9	7.4	5.9	5.0	4.2
TX-VS3 YELLOW	60	0.12	15	7.9	5.9	4.8	4.0	3.4	60	0.18	23	11.9	8.9	7.1	5.9	5.1
	75	0.13	17	8.6	6.4	5.1	4.3	3.7	75	0.20	26	13.2	9.9	7.9	6.6	5.7
	90	0.14	18	9.2	6.9	5.5	4.6	4.0	90	0.21	27	13.9	10.4	8.3	6.9	5.9
	120	0.16	20	10.6	7.9	6.3	5.3	4.5	120	0.24	31	15.8	11.9	9.5	7.9	6.8
TX-SS4	40	0.13	17	8.6	6.4	5.1	4.3	3.7	40	0.20	26	13.2	9.9	7.9	6.6	5.7
TX-VS4 GREEN	60	0.16	20	10.6	7.9	6.3	5.3	4.5	60	0.24	31	15.8	11.9	9.5	7.9	6.8
	75	0.18	23	11.9	8.9	7.1	5.9	5.1	75	0.27	35	17.8	13.4	10.7	8.9	7.6
	90	0.19	24	12.5	9.4	7.5	6.3	5.4	90	0.29	37	19.1	14.4	11.5	9.6	8.2
	120	0.22	28	14.5	10.9	8.7	7.3	6.2	120	0.33	42	22	16.3	13.1	10.9	9.3
TX-SS6	40	0.20	26	13.2	9.9	7.9	6.6	5.7	40	0.30	38	19.8	14.9	11.9	9.9	8.5
TX-VS6 RED	60	0.24	31	15.8	11.9	9.5	7.9	6.8	60	0.36	46	24	17.8	14.3	11.9	10.2
	75	0.27	35	17.8	13.4	10.7	8.9	7.6	75	0.40	51	26	19.8	15.8	13.2	11.3
	90	0.29	37	19.1	14.4	11.5	9.6	8.2	90	0.43	55	28	21	17.0	14.2	12.1
	120	0.33	42	22	16.3	13.1	10.9	9.3	120	0.50	64	33	25	19.8	16.5	14.1
TX-SS8	40	0.27	35	17.8	13.4	10.7	8.9	7.6	40	0.40	51	26	19.8	15.8	13.2	11.3
TX-VS8 GREY	60	0.32	41	21	15.8	12.7	10.6	9.1	60	0.49	63	32	24	19.4	16.2	13.9
	75	0.36	46	24	17.8	14.3	11.9	10.2	75	0.54	69	36	27	21	17.8	15.3
	90	0.39	50	26	19.3	15.4	12.9	11.0	90	0.59	76	39	29	23	19.5	16.7
	120	0.45	58	30	22	17.8	14.9	12.7	120	0.68	87	45	34	27	22	19.2
TX-SS10	40	0.33	42	22	16.3	13.1	10.9	9.3	40	0.50	64	33	25	19.8	16.5	14.1
TX-VS10 BLACK	60	0.40	51	26	19.8	15.8	13.2	11.3	60	0.61	78	40	30	24	20	17.3
	75	0.45	58	30	22	17.8	14.9	12.7	75	0.68	87	45	34	27	22	19.2
	90	0.49	63	32	24	19.4	16.2	13.9	90	0.74	95	49	37	29	24	21
	120	0.56	72	37	28	22	18.5	15.8	120	0.85	109	56	42	34	28	24
TX-SS12	40	0.40	51	26	19.8	15.8	13.2	11.3	40	0.60	77	40	30	24	19.8	17.0
TX-VS12 BROWN	60	0.49	63	32	24	19.4	16.2	13.9	60	0.73	93	48	36	29	24	21
	75	0.54	69	36	27	21	17.8	15.3	75	0.81	104	53	40	32	27	23
	90	0.59	76	39	29	23	19.5	16.7	90	0.88	113	58	44	35	29	25
	120	0.68	87	45	34	27	22	19.2	120	1.01	129	67	50	40	33	29
TX-SS18	40	0.60	77	40	30	24	19.8	17.0	40	0.90	115	59	45	36	30	25
TX-VS18 ORANGE	60	0.73	93	48	36	29	24	21	60	1.10	141	73	54	44	36	31
	75	0.82	105	54	41	32	27	23	75	1.23	157	81	61	49	41	35
	90	0.90	115	59	45	36	30	25	90	1.35	173	89	67	53	45	38
	120	1.03	132	68	51	41	34	29	120	1.55	198	102	77	61	51	44
TX-SS26	40	0.87	111	57	43	34	29	25	40	1.30	166	86	64	51	43	37
TX-VS26 BLUE	60	1.06	136	70	52	42	35	30	60	1.59	204	105	79	63	52	45
	75	1.18	151	78	58	47	39	33	75	1.78	228	117	88	70	59	50
	90	1.30	166	86	64	51	43	37	90	1.94	248	128	96	77	64	55
	120	1.49	191	98	74	59	49	42	120	2.24	287	148	111	89	74	63

FULL CONE & UNDERLEAF BANDING SPRAY TIP



TG-1 THRU TG-8
\$10.87 S

3 NOZZLES PER ROW



PROVIDES COARSE SPRAY WITH FULL CONE PATTERN. USED FREQUENTLY FOR TOBACCO PLANT SUCKER CONTROL.

	PSI	GPM	1 NOZZLE OZ/MIN.	GPA 48" SPACING (THREE NOZZLES PER ROW)			
				2 mph	3 mph	4 mph	5 mph
TG-1	20	0.14	18	26	17.3	13.0	10.4
	30	0.16	20	30	19.8	14.9	11.9
	40	0.19	24	35	24	17.6	14.1
	60	0.23	29	43	28	21	17.1
TG-2	20	0.28	36	52	35	26	21
	30	0.33	42	61	41	31	25
	40	0.38	49	71	47	35	28
	60	0.46	59	85	57	43	34
TG-3	20	0.41	52	76	51	38	30
	30	0.50	64	93	62	46	37
	40	0.57	73	106	71	53	42
	60	0.68	87	126	84	63	50
TG-4	20	0.55	70	102	68	51	41
	30	0.66	84	123	82	61	49
	40	0.76	97	141	94	71	56
	60	0.91	116	169	113	84	68
TG-5	20	0.69	88	128	85	64	51
	30	0.84	108	156	104	78	62
	40	1.00	128	186	124	93	74
	60	1.16	148	215	144	108	86
TG-6	20	0.82	105	152	101	76	61
	30	0.99	127	184	123	92	74
	40	1.14	146	212	141	106	85
	60	1.37	175	254	170	127	102
TG-8	20	1.10	141	204	136	102	82
	30	1.33	170	247	165	123	99
	40	1.51	193	280	187	140	112
	60	1.82	233	338	225	169	135

UB-UNDERLEAF BANDING SPRAY TIPS

UB-UNDERLEAF TIPS	PRICE
STAINLESS	33.76 S
BRASS	17.74 S



2 NOZZLES PER ROW



OFF CENTER TIP WITH TAPERED FLAT SPRAY CHARACTERISTICS. 85 DEGREE SPRAY ANGLE. IN BRASS OR STAINLESS. OPERATING PRESSURE IS 20 TO 60 PSI.

DIRECTED APPLICATION UNDER CROP CANOPY. NOZZLE SPACING 10"-2 TIPS PER ROW. ADJUST TIP HEIGHT AND NOZZLE ORIENTATION TO ACHIEVE DESIRED BAND WIDTH.

	PSI	2								
		NOZZLE GPM	NOZZLE OZ/MIN.	2 mph	3 mph	4 mph	5 mph	6 mph	7 mph	
D25143-UB 850075	20	0.11	14	10.9	7.3	5.4	4.4	3.6	3.1	
	30	0.13	17	12.9	8.6	6.4	5.1	4.3	3.7	
	40	0.15	19	14.9	9.9	7.4	5.9	5.0	4.2	
	50	0.17	22	16.9	11.2	8.4	6.7	5.6	4.8	
D25143-UB 8501	20	0.14	18	13.9	9.2	6.9	5.5	4.6	4	
	30	0.17	22	16.8	11.2	8.4	6.7	5.6	4.8	
	40	0.20	26	19.8	13.2	9.9	7.9	6.6	5.7	
	50	0.22	28	22	14.5	10.9	8.7	7.3	6.2	
D25143-UB 85015	20	0.21	27	21	13.9	10.4	8.3	6.9	5.9	
	30	0.26	33	26	17.2	12.9	10.3	8.6	7.4	
	40	0.30	38	30	19.8	14.9	11.9	9.9	8.5	
	50	0.34	44	34	22	16.8	13.5	11.2	9.6	
D25143-UB 8502	20	0.28	36	28	18.5	13.9	11.1	9.2	7.9	
	30	0.35	45	35	23	17.3	13.9	11.6	9.9	
	40	0.40	51	40	26	19.8	15.8	13.2	11.3	
	50	0.45	58	45	30	22	17.8	14.9	12.7	
D25143-UB 8503	20	0.42	54	42	28	21	16.6	13.9	11.9	
	30	0.52	67	51	34	26	21	17.2	14.7	
	40	0.60	77	59	40	30	24	19.8	17.0	
	50	0.67	86	66	44	33	27	22	19.0	
D25143-UB 8504	20	0.57	73	56	38	28	23	18.8	16.1	
	30	0.69	88	68	46	34	27	23	19.5	
	40	0.80	102	79	53	40	32	26	23	
	50	0.89	114	88	59	44	35	29	25	
60	0.98	125	97	65	49	39	32	28		

FLOW REGULATORS

****Always verify tips or orifices you received are the size which you require before using with chemical.
Chemical rates need to be obtained from your chemical dealer.****

FLOW REGULATORS ARE USUALLY MOUNTED BEHIND CULTIVATOR SHANKS FOR THE SUBSURFACE APPLICATION OF LIQUID FERTILIZERS AND SOIL FUMIGANTS. THEY ARE ALSO USED FOR ABOVE-GROUND STREAMING APPLICATIONS.



NOTE: Always insert Orifice Plate with side marked with number facing the outlet.

ORIFICE PLATES - CP4916-8 THRU CP4916-250 \$3.76 S

TO DETERMINE THE ORIFICE PLATE NEEDED USE THE FOLLOWING EQUATION:

- W = Nozzle spacing (in inches) for broadcast spraying.
- = Spray width (in inches) for single nozzle, band spraying or boomless spraying.
- = Row spacing (in inches) divided by the number of nozzles per row for directed spraying.

ORIFICE PLATE	GPM			
	5 PSI	10 PSI	20 PSI	30 PSI
CP4916-8	0.003	0.004	0.006	0.007
CP4916-10	0.005	0.006	0.009	0.011
CP4916-12	0.007	0.009	0.013	0.016
CP4916-14	0.009	0.013	0.018	0.022
CP4916-15	0.010	0.014	0.020	0.025
CP4916-16	0.012	0.016	0.023	0.028
CP4619-18	0.015	0.021	0.030	0.036
CP4916-20	0.018	0.026	0.037	0.045
CP4916-22	0.022	0.031	0.043	0.053
CP4916-24	0.026	0.037	0.052	0.064
CP4916-25	0.028	0.040	0.056	0.068
CP4916-26	0.030	0.043	0.060	0.074
CP4916-27	0.032	0.045	0.064	0.078
CP4916-28	0.035	0.049	0.069	0.085
CP4916-29	0.038	0.054	0.076	0.093
CP4916-30	0.040	0.057	0.081	0.099
CP4916-31	0.043	0.061	0.087	0.106
CP4916-32	0.048	0.067	0.095	0.116
CP4916-34	0.052	0.074	0.104	0.127
CP4916-35	0.056	0.079	0.111	0.136
CP4916-37	0.061	0.086	0.121	0.149
CP4916-39	0.067	0.095	0.135	0.165
CP4916-40	0.072	0.102	0.144	0.177
CP4916-41	0.074	0.105	0.149	0.182
CP4916-43	0.081	0.115	0.163	0.200
CP4916-45	0.088	0.125	0.176	0.216
CP4916-46	0.095	0.135	0.191	0.233

ORIFICE PLATE	GPM			
	5 PSI	10 PSI	20 PSI	30PSI
CP4916-47	0.097	0.137	0.194	0.238
CP4916-48	0.101	0.143	0.202	0.247
CP4916-49	0.104	0.147	0.208	0.026
CP4916-51	0.116	0.164	0.232	0.284
CP4916-52	0.118	0.167	0.237	0.290
CP4916-54	0.127	0.180	0.255	0.312
CP4916-55	0.133	0.188	0.266	0.326
CP4916-57	0.141	0.200	0.283	0.346
CP4916-59	0.152	0.215	0.304	0.372
CP4916-61	0.166	0.233	0.330	0.404
CP4916-63	0.174	0.246	0.347	0.425
CP4916-65	0.185	0.261	0.369	0.452
CP4916-67	0.196	0.278	0.392	0.481
CP4916-68	0.203	0.287	0.405	0.496
CP4916-70	0.216	0.306	0.433	0.530
CP4916-72	0.226	0.320	0.453	0.554
CP4916-73	0.233	0.330	0.467	0.572
CP4916-75	0.245	0.347	0.491	0.601
CP4916-78	0.272	0.385	0.544	0.667
CP4916-80	0.280	0.397	0.561	0.687
CP4916-81	0.290	0.411	0.581	0.711
CP4916-83	0.317	0.449	0.634	0.777
CP4916-86	0.332	0.470	0.664	0.813
CP4916-89	0.346	0.490	0.693	0.849
CP4916-91	0.369	0.523	0.739	0.905
CP4916-93	0.387	0.547	0.774	0.947
CP4916-95	0.404	0.572	0.808	0.990

ORIFICE PLATE	GPM			
	5 PSI	10 PSI	20 PSI	30 PSI
CP4916-98	0.442	0.625	0.884	1.08
CP4916-103	0.461	0.653	0.923	1.13
CP4916-107	0.518	0.733	1.04	1.27
CP4916-110	0.548	0.775	1.10	1.34
CP4916-115	0.605	0.855	1.21	1.48
CP4916-120	0.629	0.890	1.26	1.54
CP4916-125	0.693	0.980	1.39	1.70
CP4916-128	0.721	1.02	1.44	1.77
CP4916-132	0.774	1.10	1.55	1.90
CP4916-136	0.840	1.19	1.68	2.06
CP4916-140	0.894	1.27	1.79	2.19
CP4916-144	0.926	1.31	1.85	2.27
CP4916-147	0.953	1.35	1.91	2.33
CP4916-151	1.04	1.47	2.08	2.55
CP4916-156	1.10	1.55	2.20	2.69
CP4916-161	1.15	1.63	2.31	2.83
CP4916-166	1.21	1.72	2.43	2.97
CP4916-170	1.30	1.84	2.61	3.19
CP4916-172	1.36	1.92	2.71	3.32
CP4916-177	1.41	2.00	2.83	3.46
CP4916-182	1.47	2.08	2.95	3.61
CP4916-187	1.56	2.21	3.12	3.82
CP4916-196	1.73	2.45	3.46	4.24
CP4916-205	1.88	2.65	3.75	4.59
CP4916-218	2.11	2.98	4.21	5.16
CP4916-234	2.45	3.47	4.91	6.01
CP4916-250	2.83	4.00	5.66	6.93

QUICK TEEJET NOZZLE BODIES FOR DRY BOOM



QJ360 NOZZLE BODY SERIES

- AVAILABLE WITH EITHER 3, 4 OR 5 POSITIONS FOR EASY CHANGE OF SPRAY TIPS OR QUICK BOOM FLUSHING.
- MAXIMUM OPERATING PRESSURE FOR 300PSI (20 BARS).
- POSITIVE SHUTOFF BETWEEN EACH SPRAY POSITION.
- AVAILABLE IN 1/2", 3/4" OR 1" SINGLE OR DOUBLE HOSE SHANKS.
- INCLUDES CHEMSAVER DIAPHRAGM CHECK VALVE FOR DRIP FREE SHUTOFF.
- DURABLE DESIGN MOUNTS BODY HIGH ON BOOM STRUCTURE FOR MAXIMUM PROTECTION.
- STANDARD EPDM DIAPHRAGM WITH VITON AVAILABLE AS AN OPTION.



QJ363C

PART#		NUMBER OF OUTLETS	TO FIT HOSE ID	PRICE
SINGLE	DOUBLE			
QJ363C-500-1-NYB	QJ363C-500-2-NYB	3	1/2"	23.31 S
QJ363C-750-1-NYB	QJ363C-750-2-NYB	3	3/4"	23.31 S
QJ363C-1000-1-NYB	QJ363C-1000-2-NYB	3	1"	23.31 S



QJ364C

PART#		NUMBER OF OUTLETS	TO FIT HOSE ID	PRICE
SINGLE	DOUBLE			
QJ364C-500-1-NYB	QJ364C-500-2-NYB	4	1/2"	23.31 S
QJ364C-750-1-NYB	QJ364C-750-2-NYB	4	3/4"	23.31 S
QJ364C-1000-1-NYB	QJ364C-1000-2-NYB	4	1"	23.31 S



QJ365C

PART#		NUMBER OF OUTLETS	TO FIT HOSE ID	PRICE
SINGLE	DOUBLE			
QJ365C-500-1-NYB	QJ365C-500-2-NYB	5	1/2"	23.31 S
QJ365C-750-1-NYB	QJ365C-750-2-NYB	5	3/4"	23.31 S
QJ365C-1000-1-NYB	QJ365C-1000-2-NYB	5	1"	23.31 S

TRIPLE NOZZLE BODY FOR DRY BOOM



- * PROVIDES 3 POSITIONS FOR EASY CHANGE OF SPRAY TIPS OR QUICK BOOM FLUSHING.
- * MAXIMUM OPERATING PRESSURE OF 125PSI (9 BAR).
- * POSITIVE SHUTOFF BETWEEN EACH SPRAY POSITION.
- * AVAILABLE IN 1/2" & 3/4" SINGLE OR DOUBLE HOSE SHANKS.
- * INCLUDES CHEMSAVER DIAPHRAGM CHECK VALVE FOR DRIP FREE SHUTOFF.
- * CAN BE USED WITH ALL QUICK TEEJET CAPS.
- * STANDARD EPDM DIAPHRAGM WITH VITON AVAILABLE AS AN OPTION.

PART#		TO FIT HOSE ID	PRICE
SINGLE	DOUBLE		
24230A-1-540-NYB	24230A-2-540-NYB	1/2"	25.65 S
24230A-1-785-NYB	24230A-2-785-NYB	3/4"	25.65 S

QUICK TEEJET NOZZLE BODIES FOR DRY BOOM



QJ100 SERIES
QUICK TEEJET NOZZLE ASSEMBLIES

Hose barb size to fit 3/8", 1/2" & 3/4" hose.
Available in single, double & triple hose shanks.
Maximum operating pressure 125psi (9 bar).

PART# SINGLE	HOSE ID	PRICE
18635-111-406-NYB	3/8"	4.83 S
18638-111-540-NYB	1/2"	4.83 S
18719-111-785-NYB	3/4"	4.83 S

PART# DOUBLE	HOSE ID	PRICE
18636-112-406-NYB	3/8"	4.83 S
18639-112-540-NYB	1/2"	4.83 S
18720-112-785-NYB	3/4"	4.83 S

PART# TRIPLE	HOSE ID	PRICE
18637-113-406-NYB	3/8"	4.83 S
18640-113-540-NYB	1/2"	4.83 S
18721-113-785-NYB	3/4"	4.83 S



QJ200 SERIES
DIAPHRAGM CHECK VALVE
QUICK TEEJET NOZZLE ASSEMBLIES

Drip-free shutoff. Opening pressure 10psi.
Standard diaphragm EPDM, Viton available.
Maximum operating pressure 125psi (9 bar).
Hose barb sizes to fit 3/8", 1/2" & 3/4" hose.
Available in single, double & triple hose shanks.

PART# SINGLE	HOSE ID	PRICE
19349-211-406-NYB	3/8"	11.94 S
19349-211-540-NYB	1/2"	11.94 S
19349-211-785-NYB	3/4"	11.94 S

PART# DOUBLE	HOSE ID	PRICE
19350-212-406-NYB	3/8"	11.94 S
19350-212-540-NYB	1/2"	11.94 S
19350-212-785-NYB	3/4"	11.94 S

PART# TRIPLE	HOSE ID	PRICE
19351-213-406-NYB	3/8"	11.94 S
19351-213-540-NYB	1/2"	11.94 S
19351-213-785-NYB	3/4"	11.94 S



QJ300 SERIES
DIAPHRAGM CHECK VALVE
QUICK TEEJET NOZZLE ASSEMBLIES

Low profile design allows maximum protection against damage.
Available in single and double hose shanks.
Hose barb sizes to fit 3/8", 1/2" & 3/4" hose.
Drip-free shutoff. Opening pressure 10psi.
Standard diaphragm EPDM, Viton available.
Maximum operating pressure 300psi (20 bar).

PART# SINGLE	HOSE ID	PRICE
22251-311-375-NYB	3/8"	9.87 S
22251-311-500-NYB	1/2"	9.87 S
22251-311-750-NYB	3/4"	9.87 S

PART # DOUBLE	HOSE ID	PRICE
22252-312-375-NYB	3/8"	9.87 S
22252-312-500-NYB	1/2"	9.87 S
22252-312-750-NYB	3/4"	9.87 S

QJ39685 SERIES QUICK TEEJET NOZZLE BODIES

FEATURES:

- USE WITH QUICK TEEJET CAPS
- HOSE SHANKS AVAILABLE IN SINGLE (LEFT OR RIGHT) & DOUBLE FOR 1/2" HOSE ID.
- DRIP-FREE SHUTOFF.
- MAXIMUM OPERATING PRESSURE 300psi.

PART#	DESCRIPTION	PRICE
QJ39685-1L-500-NYB	SINGLE LEFT	8.08 S
QJ39685-1R-500-NYB	SINGLE RIGHT	8.08 S
QJ39685 2-500-NYB	DOUBLE	8.08 S



QUICK TEEJET NOZZLE BODIES FOR WET BOOMS



QJ360 NOZZLE BODY SERIES

- AVAILABLE WITH EITHER 3, 4 OR 5 POSITIONS FOR EASY CHANGE OF SPRAY TIPS OR QUICK BOOM FLUSHING.
- MAXIMUM OPERATING PRESSURE OF 300PSI (20 BAR).
- POSITIVE SHUTOFF BETWEEN EACH SPRAY POSITION.
- AVAILABLE IN 1/2", 3/4" OR 1" PIPE CONNECTIONS.
- INCLUDES CHEMSAVER DIAPHRAGM CHECK VALVE FOR DRIP FREE SHUTOFF.
- STANDARD EPDM DIAPHRAGM WITH VITON AVAILABLE AS AN OPTION.

QJ363C



PART NUMBER	NUMBER OF OUTLETS	CLAMPS ON PIPE SIZE	PRICE
QJ363C-1/2-NYB	3	1/2"	18.66 S
QJ363C-3/4-NYB	3	3/4"	18.66 S
QJ363C-1-NYB	3	1"	18.66 S

QJ364C



PART NUMBER	NUMBER OF OUTLETS	CLAMPS ON PIPE SIZE	PRICE
QJ364C-1/2-NYB	4	1/2"	18.66 S
QJ364C-3/4-NYB	4	3/4"	18.66 S
QJ364C-1-NYB	4	1"	18.66 S

QJ365C



PART NUMBER	NUMBER OF OUTLETS	CLAMPS ON PIPE SIZE	PRICE
QJ365C-1/2-NYB	5	1/2"	18.66 S
QJ365C-3/4-NYB	5	3/4"	18.66 S
QJ365C-1-NYB	5	1"	18.66 S

RAPID STOP

- * New feature for QJ360C & QJ17560A
- * Evacuates air trapped in booms
- * Reduces boom shut-off times
- * Does NOT require boom redesign

PART#	DESCRIPTION	PRICE
CP98583-1-1-SS	QJ360C	10.39 S
CP98583-2-1-SS	QJ17560A	10.39 S

TYPE 24216 TRIPLE NOZZLE BODY

- PROVIDES 3 POSITIONS FOR EASY CHANGE OF SPRAY TIPS OR QUICK BOOM FLUSHING.
- MAXIMUM OPERATING PRESSURE OF 125PSI (9 BAR).
- POSITIVE SHUTOFF BETWEEN EACH SPRAY POSITION.
- AVAILABLE IN 1/2", 3/4" & 1" PIPE CONNECTIONS.
- INCLUDES CHEMSAVER DIAPHRAGM CHECK VALVE FOR DRIP-FREE SHUTOFF.
- CAN BE USED WITH ALL QUICK TEEJET CAPS.
- STANDARD EPDM DIAPHRAGM WITH VITON AVAILABLE AS AN OPTION.



24216

PART NUMBER	NUMBER OF OUTLETS	CLAMPS ON PIPE SIZE	PRICE
24216A-1/2-NYB	3	1/2"	24.98 S
24216A-3/4-NYB	3	3/4"	24.98 S
24216A-1-NYB	3	1"	24.98 S

QJ380 & QJ380F WET BOOM BODIES



QJ380 & QJ380F

Standard & Fertilizer (F) styles
 Triple outlet turrets
 3/4" and 1" wet boom sizes (wet only)
 Max operating pressure 150psi (10 bar)
Applications:
 High speed self-propelled machines
 High flow rate liquid fertilizer applications



PART#	NUMBER OF OUTLETS	CLAMPS ON PIPE SIZE	PRICE
QJ383-3/4-NYB	3	3/4"	36.92 S
QJ383-1-NYB	3	1"	36.92 S

PART#	NUMBER OF OUTLETS	CLAMPS ON PIPE SIZE	PRICE
QJ383F-3/4-NYB	3/F	3/4"	40.30 S
QJ383F-1-NYB	3/F	1"	40.30 S

RAPID STOP

- * New feature for QJ360C & QJ17560A
- * Evacuates air trapped in booms
- * Reduces boom shut-off times
- * Improves start up times
- * Does **NOT** require boom redesign
- * Install 1 or 2 Rapid Stops per boom section



PART#	DESCRIPTION	PRICE
CP98583-1-1-SS	QJ360C	10.39 S
CP98583-2-1-SS	QJ17560A	10.39 S

RETROFIT SEAL

Retrofit gasket for large hole booms
 - Replace JD factory supplied bodies
 - Fits existing booms with 11/16" holes
 Molded VITON material



PART# CP98488-VI \$7.88 S

POLYPROPYLENE SCHEDULE 80 PIPE

POLYPROPYLENE PIPE		
PART#	DESCRIPTION	PRICE
075-8-00P	3/4" no spacing	4.36 NET
075-8-20P	3/4" w/20" spacing, 3/8" holes	4.36 NET
100-8-00P	1" no spacing	5.76 NET
100-8-20P	1" w/20" spacing, 3/8" holes	5.76 NET



QUICK TEEJET NOZZLE BODIES & ACCESSORIES



TYPE QJ17560-NYB

	CLAMPS TO	
PART NUMBER	PIPE SIZE	PRICE
QJ17560A-1/2-NYB	1/2"	5.23 S
QJ17560A-3/4-NYB	3/4"	5.23 S
QJ17560A-1-NYB	1"	5.23 S

- CAN BE MOUNTED TO 1/2", 3/4" & 1" PIPE OR EQUIVALENT SIZE TUBING.
- 1/2" & 3/4" INCLUDE A MOUNTING HOLE IN CLAMP SUBASSEMBLY FOR MOUNTING TO FLAT SURFACE.
- ALLOWS SIDE MOUNTING TO FLAT SURFACE FOR PROTECTION OF NOZZLE BODY.
- FEATURES CHEMSAVER DRIP-FREE SHUTOFF.
- STANDARD EPDM DIAPHRAGM WITH OPTIONAL VITON AVAILABLE.
- MAXIMUM OPERATING PRESSURE OF 300psi (20 BAR).



TYPE QJ7421-NYB

	CLAMPS TO	
PART NUMBER	PIPE SIZE	PRICE
QJ7421-1/2-NYB	1/2"	4.85 S
QJ7421-3/4-NYB	3/4"	4.85 S
QJ7421-1-NYB	1"	4.85 S

- CAN BE MOUNTED TO 1/2", 3/4" & 1" PIPE OR EQUIVALENT SIZE TUBING.
- 1/2" & 3/4" INCLUDE A MOUNTING HOLE IN CLAMP SUBASSEMBLY FOR MOUNTING TO FLAT SURFACE.
- MAXIMUM OPERATING PRESSURE OF 300psi (20 BAR).



TYPE QJ22187-NYB

	CLAMPS TO	
PART NUMBER	PIPE SIZE	PRICE
QJ22187-1/2-NYB	1/2"	12.20 S
QJ22187-3/4-NYB	3/4"	12.20 S
QJ22187-1-NYB	1"	12.20 S

- CAN BE MOUNTED TO 1/2", 3/4" & 1" PIPE OR EQUIVALENT SIZE TUBING.
- 1/2" & 3/4" INCLUDE A MOUNTING HOLE IN CLAMP SUBASSEMBLY FOR MOUNTING TO FLAT SURFACE.
- ALLOWS SIDE MOUNTING TO FLAT SURFACE FOR PROTECTION OF NOZZLE BODY.
- FEATURES CHEMSAVER DRIP-FREE SHUTOFF.
- STANDARD EPDM DIAPHRAGM WITH OPTIONAL VITON AVAILABLE.
- MAXIMUM OPERATING PRESSURE OF 300psi (20 BAR).

QJ8360-NYB, 300psi

ALLOWS HOOK-UP TO 1/4" FPT



PART#	TO FIT	PRICE
QJ8360-NYB	1/4" NPT	6.02 S

QJ8355-NYB, 300psi

ALLOWS SIDE MOUNT



PART#	TO FIT	PRICE
QJ8355-1/4-NYB	1/4" NPT	12.09 S
QJ8355-1/8-NYB	1/8" NPT	12.09 S

QJT8360-NYB, 300psi

FITS TEEJET THREAD



PART#	TO FIT	PRICE
QJT8360-NYB	11/16" - 16 TJ	6.55 S

RAPID STOP

- * New feature for QJ360C & QJ17560A
- * Evacuates air trapped in booms
- * Reduces boom shut-off times
- * Does NOT require boom redesign

PART#	DESCRIPTION	PRICE
CP98583-1-1-SS	QJ360C	10.39 S
CP98583-2-1-SS	QJ17560A	10.39 S

QUICK TEEJET

PUSH TO CONNECT FITTINGS

Features and Benefits:

- * Available in both 1/4" and 3/8" tubing sizes
- * For use with linear, low-density, polyethylene tubing
- * Choice of body, cap, or body and cap combination
- * Bodies feature proven Quick TeeJet diaphragm check valve available with a choice of opening pressures
- * Allows flow shutoff to occur further downstream for improved fertilizer savings
- * Orifice plate can be easily installed between body and cap for precise flow regulation
- * Rugged nylon construction for reliability and excellent chemical resistance
- * Compact, inline design for mounting in a variety of locations
- * Integrated mounting lugs for easy installation using #10 or M5 screws or cable ties
- * Flow rate of 2.5 GPM at 5 PSI pressure drop, 3.18 GPM at 10 PSI pressure drop
- * Maximum pressure rating of 100 PSI



QUICK TEEJET PUSH TO CONNECT				
PART#	DESCRIPTION	OPENING PSI	HOSE OD	PRICE
QJ98595-1/4-2	PTC ASSEMBLY	2 PSI CHECK	1/4" OD HOSE	20.80 S
QJ98595-1/4-10	PTC ASSEMBLY	10 PSI CHECK	1/4" OD HOSE	20.80 S
QJ98594-3/8-2	PTC ASSEMBLY	2 PSI CHECK	3/8" OD HOSE	20.80 S
QJ98594-3/8-10	PTC ASSEMBLY	10 PSI CHECK	3/8" OD HOSE	20.80 S
QJ98592-1/4-2	PTC BODY	2 PSI CHECK	1/4" OD HOSE	14.05 S
QJ98592-1/4-10	PTC BODY	10 PSI CHECK	1/4" OD HOSE	14.05 S
QJ98590-3/8-2	PTC BODY	2 PSI CHECK	3/8" OD HOSE	14.05 S
QJ98590-3/8-10	PTC BODY	10 PSI CHECK	3/8" OD HOSE	14.05 S
QJ98588-1/4	PTC CAP	N/A	1/4" OD HOSE	6.77 S
QJ98586-3/8	PTC CAP	N/A	3/8" OD HOSE	6.77 S
QJ98598-90-1/4	90* CAP	N/A	1/4" OD HOSE	8.46 S
QJ98599-90-3/8	90* CAP	N/A	3/8" OD HOSE	8.46 S
CP18999-EPR	CAP GASKET	N/A	N/A	1.32 S

QUICK TEEJET ADAPTERS & CLAMPS



CP21953



CP4620-FA

CHEMSAVER END CAP

X=2#, 8#, 10#, 20#, 30#

PART#	DESCRIPTION	PRICE
21950-X-NYB	END CAP	4.35 S
CP21953-EPR	DIA EPDM	0.57 S
CP21953-VI	DIA VITON	1.78 S
CP4620-FA	DIA FAIRPRENE	0.57 S
CP98488-VI	RETRO SEAL	7.88 S
4200-0004E	HYPRO DIA EPDM	.78 S
4200-0004V	HYPRO DIA VITON	2.51 S



QJ111 & QJ111SQ

PART#	TO FIT	PRICE
QJ111-1/2	1/2"	3.19 S
QJ111-3/4	3/4"	3.19 S
QJ111-1	1"	3.19 S
QJ111-11/4	1-1/4"	3.19 S

PART#	TO FIT	PRICE
QJ111SQ-34	3/4"	3.19 S
QJ111SQ-1	1"	3.19 S
QJ111SQ-114	1-1/4"	3.19 S
QJ111SQ-112	1-1/2"	3.19 S



AA111 & AA111SQ

PART#	TO FIT	PRICE
AA111-1/2	1/2"	5.46 S
AA111-3/4	3/4"	5.46 S
AA111-1	1"	5.46 S
AA111-11/4	1-1/4"	9.13 S

PART#	TO FIT	PRICE
AA111SQ-1	1"	6.27 S
AA111SQ-11/4	1-1/4"	9.43 S
AA111SQ-11/2	1-1/2"	11.21 S



QJ1/4T-NYB

ALLOWS USE OF QUICK TEEJET SYSTEM WITH 1/4" MALE CONNECTIONS. MAXIMUM OPERATING PRESSURE OF 300psi.

PART#	TO FIT	PRICE
QJ1/4T-NYB	1/4" FPT	3.31 S



QJT-NYB

ALLOWS USE OF TEEJET SYSTEM WITH STANDARD 11/16" - 16 TEEJET THREAD. MAXIMUM OPERATING PRESSURE OF 300psi.

PART#	TO FIT	PRICE
QJT-NYB	11/16" - 16 TJ	6.13 S



QJ1/4TT-NYB

ALLOWS USE OF QUICK TEEJET SYSTEM WITH 1/4" FEMALE CONNECTIONS. MAXIMUM OPERATING PRESSURE OF 300psi.

PART#	TO FIT	PRICE
QJ1/4TT-NYB	1/4" MPT	3.31 S



22674-1/4-NYB

ALLOWS USE OF QUICK TEEJET SYSTEM WITH 1/4" FEMALE CONNECTIONS.

PART#	TO FIT	PRICE
22674-1/4-NYB	1/4" MPT	3.31 S

NOZZLE BODY ASSEMBLIES



NOZZLE THREAD TEE		
PART#	HB SIZE	PRICE
NTT38	3/8"	1.95 \$
NTT12	1/2"	1.95 \$
NTT58	5/8"	3.25 \$
NTT34	3/4"	2.50 \$
NTT100	1"	12.59 \$



NOZZLE THREAD CROSS		
PART#	HB SIZE	PRICE
NTC38	3/8"	2.75 \$
NTC12	1/2"	2.95 \$
NTC34	3/4"	2.75 \$



NOZZLE THREAD ELBOW		
PART#	HB SIZE	PRICE
NTL38	3/8"	1.95 \$
NTL12	1/2"	1.95 \$
NTL58	5/8"	1.95 \$
NTL34	3/4"	2.10 \$
NTL100	1"	12.50 \$



NOZZLE THREAD BARB		
PART#	HB SIZE	PRICE
NTB38	3/8"	1.30 \$
NTB12	1/2"	1.30 \$



NOZZLE THREAD NUT		
PART#	MATERIAL	PRICE
NTN	NYLON	.47 \$



NOZZLE CAP		
PART#	MATERIAL	PRICE
CP8027-NYB	NYLON	1.10 \$

TEEJET SWIVEL BODY ASSEMBLIES

TEEJET SWIVEL NOZZLE BODY ASSEMBLIES ARE DESIGNED FOR USE IN ROW CROP SPRAYING TIPS. A LOCKNUT HOLDS THE SWIVEL BODIES FIRMLY IN POSITION FOR SELECTED SPRAY ANGLES, NOT AFFECTED BY JARRING OR VIBRATION. PART NUMBER INCLUDES BODY ONLY, NO TIPS, STRAINERS OR CAPS INCLUDED. AVAILABLE IN THREADED CAP AND QUICK TEEJET STYLES.



QJ8600-2



8600



8600-2



5000



5540



QJ8600

PART#	DESCRIPTION	PRICE
QJ8600-1/4-NYB	NYLON SINGLE SWIVEL W/QUICKJET	8.80 \$
QJ8600-2-1/4-NYB	NYLON DOUBLE SWIVEL W/QUICKJET	10.59 \$
8600-1/4T-NYB	NYLON SINGLE SWIVEL THREADED	10.20 \$
8600-2-1/4T-NYB	NYLON DOUBLE SWIVEL THREADED	12.32 \$
5000-1/4T	BRASS SINGLE SWIVEL FEMALE	21.28 \$
5540-1/4TT	BRASS SINGLE SWIVEL MALE	23.52 \$
4202-2-1/4T	BRASS DOUBLE SWIVEL	28.84 \$



4202-2

HOSE SHANKS & ACCESSORIES



TEE CONNECTION WITH 1/4" FPT		
PART#	BARB SIZE	PRICE
13435-406-NYB	3/8"	5.28 S
13438-540-NYB	1/2"	5.28 S



ELBOW CONNECTION WITH 1/4" FPT		
PART#	BARB SIZE	PRICE
13434-406-NYB	3/8"	5.28 S
13437-540-NYB	1/2"	5.28 S



3-WAY CONNECTION WITH 1/4" FPT		
PART#	BARB SIZE	PRICE
13436-406-NYB	3/8"	5.28 S
13439-540-NYB	1/2"	5.28 S



USE TEEJET HOSE SHANKS FOR ATTACHING HOSE TO NOZZLE BODY. FITS ALL TEEJET NOZZLE CAPS, REPLACING SPRAY TIPS.

TEEJET HOSE SHANKS		
PART#	HOSE ID	PRICE
8400-14	1/4"	1.40 S
8400-38	3/8"	1.40 S
8400-12	1/2"	1.40 S



TEEJET SPLIT EYELET NOZZLE BODIES MOUNT ON 1/2", 3/4" & 1" PIPE. 25775 MOUNTS TO 9.5mm HOLE. 7421 MOUNTS TO 7.2mm HOLE.



TEEJET SPLIT EYELET NOZZLE BODIES			
PART#	MATERIAL	PIPE SIZE	PRICE
25775-1/2T-NYB	NYLON	1/2"	6.59 S
25775-3/4T-NYB	NYLON	3/4"	6.59 S
25775-1T-NYB	NYLON	1"	6.59 S
7421-1/2TSS	STAINLESS	1/2"	15.15 S
7421-3/4TSS	STAINLESS	3/4"	15.15 S
7421-1TSS	STAINLESS	1"	15.15 S



CP3942 IS USED TO TEMPORARILY SHUT-OFF SELECTED NOZZLES BY REPLACING SPRAY TIPS WITH THESE PLUG TIPS. BRASS OR STAINLESS.

TIP PLUGS		
PART#	MATERIAL	PRICE
CP3942SS	STAINLESS	0.82 S
CP3942	BRASS	0.55 S



4676 TEEJET OUTLET ADAPTER FITS THE OUTLETS OF TEEJET NOZZLE BODIES AS WELL AS THE OUTLETS OF VARIOUS GUN-JET SPRAY GUNS AND SHUT-OFF VALVES. USE FOR ATTACHING HOSE DROPS TO NOZZLES OR EXTENSIONS TO SPRAY GUNS. 11/16" -16 TJ NOZZLE THREAD X FNPT.

TEEJET OUTLET ADAPTER			
PART#	OUTLET SIZE	MATERIAL	PRICE
4676-14	1/4"	BRASS	3.38 S
4676-14-NYB	1/4"	NYLON	2.78 S
4676-14-SS	1/4"	STAINLESS	11.42 S



TEEJET HOSE DROPS

CONNECT TO STANDARD AND QUICK TEEJET NOZZLE BODIES AND CAN ALSO BE USED WITH SWIVELS. AVAILABLE IN 15" & 24" LENGTHS. MAXIMUM OPERATING PRESSURE 125psi. QJ1/4T-NYB CAN BE ATTACHED TO HOSE DROPS FOR USE WITH QUICK TEEJET CAPS

TEEJET HOSE DROPS				
PART#	LENGTH	INLET CONNECTION	OUTLET CONNECTION	PRICE
21353-6-15-NYB	15"	QUICK TEEJET	1/4" MNPT	14.29 S
21353-6-24-NYB	24"	QUICK TEEJET	1/4" MNPT	14.29 S
21354-15-NYB	15"	11/16" -16 TJ THREAD	1/4" MNPT	9.44 S
21354-24-NYB	24"	11/16" -16 TJ THREAD	1/4" MNPT	10.51 S

TIP STRAINERS



8079



5053

STANDARD STRAINERS

STRAINERS PROTECT SPRAY TIP ORIFICES FROM CLOGGING AND DAMAGE.

TEEJET STANDARD TIP STRAINERS			
PART#	MESH	MATERIAL	PRICE
8079-PP-50	50	POLYPROPYLENE (RED) **NEW COLOR - GENTIAN BLUE	1.45 S
8079-PP-100	100	POLYPROPYLENE (GREEN) **NEW COLOR - TRAFFIC GREEN	1.45 S
5053-50-SS	50	BRASS	3.42 S
5053-100-SS	100	BRASS	3.42 S

SLOTTED STRAINERS

SLOTTED ONE-PIECE STRAINERS FOR USE WITH LIQUID CONTAINING SUSPENDED SOLIDS.



4514



TEEJET SLOTTED STRAINERS			
PART#	MESH	MATERIAL	PRICE
4514-NY-10	50	NYLON (RED) **NEW COLOR - GENTIAN BLUE	1.53 S
4514-NY-20	25	NYLON (YELLOW) **NEW COLOR - FLAME RED	1.53 S
4514-NY-32	16	NYLON (GRAY) **NEW COLOR - BROWN RED	1.53 S
4514-10	50	BRASS	1.62 S
4514-20	25	BRASS	1.62 S
4514-32	16	BRASS	1.62 S



4193

STRAINER AND CHECK VALVE

MINIMIZES NOZZLE DRIPPING; FITS ALL TEEJET NOZZLES. BALL CHECK OPENS AT 5 PSI. RECOMMENDED FOR FLOW RATES UP TO 8 GPM. NOT FOR USE WITH AI OR DG TIPS.

NOTE: USE OF THESE BALL CHECK VALVES RESULTS IN A PRESSURE DROP OF 5 PSI TO 10 PSI DEPENDING ON SPRING RATING.



TEEJET STRAINERS & CHECK VALVE			
PART#	MESH	MATERIAL	PRICE
4193A-PP-50	50	POLYPROPYLENE (RED) **NEW COLOR - GENTIAN BLUE	4.76 S
4193A-PP-100	100	POLYPROPYLENE (GREEN) **NEW COLOR - TRAFFIC GREEN	4.76 S
4193A-SS-50	50	STAINLESS	23.58 S
4193A-SS-100	100	STAINLESS	23.58 S
4193A-BR-50	50	BRASS	6.00 S
4193A-BR-100	100	BRASS	6.00 S

SPRAY GUNS

22670-PP-1/4 TRIGGERJET

FEATURES:

- 22650 TRIGGERJET GUN
- TRIGGER LOCK
- 22665 EXTENSION 15" OR 24"
- 8079-PP-50 STRAINER
- 5500-PPB-X8 ADJUSTABLE TIP
- ACCEPTS ALL STANDARD SPRAY SYSTEMS
- TIPS AND STAINERS



PART#	MATERIAL	INLET	MAX PRESSURE	LENGTH	MAX FLOW	PRICE
22670-PP-15-1/4	POLYPROPYLENE	1/4" FNPT	150	15"	1.4 GPM	52.79 \$
22670-PP-24-1/4	POLYPROPYLENE	1/4" FNPT	150	24"	1.4 GPM	60.85 \$

AA23L-7676 GUNJET

FEATURES:

- AA23-7676 GUNJET
- ALUMINUM ALLOY
- EXTENSION 18" OR 24"
- ACCEPTS ALL STANDARD SPRAY SYSTEMS
- TIPS AND STRAINERS



PART#	MATERIAL	INLET	MAX PRESSURE	LENGTH	MAX FLOW	PRICE
AA23L-7676-18	ALUMINUM	1/4" MNPS	250	18"	5 GPM	130.80 \$
AA23L-7676-24	ALUMINUM	1/4" NPS	250	24"	5 GPM	138.64 \$

ADJUSTABLE CONEJET TIPS



PART#	MATERIAL	PRICE
5500-PPB-X5	POLY	10.64 \$
5500-PPB-X6	POLY	10.64 \$
5500-PPB-X8	POLY	10.64 \$
5500-X3	BRASS	23.33 \$
5500-X8	BRASS	23.33 \$



5500-PPB

THE POLYPROPYLENE TIP HAS THE SAME PERFORMANCE CHARACTERISTICS AS THE BRASS TIP AND PROVIDES EXCELLENT CHEMICAL RESISTANCE. THIS TIP'S LIGHT WEIGHT MAKES IT WELL-SUITED FOR USE ON HANDHELD AND BACKPACK TYPE SPRAYERS.

5500

KNURLED BODY OF TIP ROTATES THROUGH A HALF TURN TO PROVIDE SPRAY SELECTION FROM WIDE ANGLE, FINELY ATOMIZED CONE SPRAY TO A STRAIGHT STREAM SPRAY.

SPRAY GUNS & FIRE NOZZLES

HYPRO AG SPRAY GUN MODEL 3381-0036 \$42.38 S



Adjustable pattern spray gun with 19" barrel and 3mm nozzle, 3/8" hose barb.

HYPRO AG SPRAY GUN MODEL 3381-0043

3381-0043: Adjustable pattern spray gun with 7-1/4" barrel and 2.3mm nozzle, 3/8" and 1/2" hose barb.

3381-0043L: Adjustable pattern spray gun with 18" barrel and 2.3mm nozzle, 3/8" and 1/2" hose barb.



PART#	PORT	LENGTH	PRICE
3381-0043	3/8" & 1/2" HOSE BARB	7"	144.56 S
3381-0043L	3/8" & 1/2" HOSE BARB	18"	163.28 S

FIRE NOZZLES



Fully adjustable for solid stream to a fine mist. Polycarbonate construction with heavy rubber bumper.



PART#	SIZE	GPM	PRICE
FN34	3/4" FEMALE GARDEN HOSE THREAD	8	38.25 S
FN100	1" FEMALE PIPE	22	38.95 S
FN112	1-1/2" FEMALE PIPE	75	33.75 S
FN200	2" FEMALE PIPE	75	69.75 S

SPECIALTY NOZZLES



TEEJET EDUCTOR NOZZLE

ALLOWS SMALL PUMPS TO CIRCULATE LARGE VOLUMES OF LIQUID. MADE FROM GLASS-FILLED POLYPROPYLENE FOR EXCELLENT CORROSION & CHEMICAL RESISTANCE. LARGE FLOW OPENING MINIMIZES PLUGGING.

PART#	INLET	ORIFICE DIA	LENGTH	DIAMETER	PRICE
Y33180-PP	3/8" MPT	5/16"	4-1/16"	2-1/16"	73.88 \$
Y9270-PP	3/4" MPT	3/8"	6-3/8"	2-29/32"	73.88 \$

TEEJET TANK RINSING NOZZLES

FLUID DRIVEN ROTATIONAL SPRAY HEAD.

360 DEGREE COVERAGE INSIDE TANK.

MADE FROM CORROSION RESISTANT TEFLON MATERIAL.

MOUNTING CONNECTION 3/4" FEMALE NOT.



PART#	CAPACITY GPM					PRICE
	10 PSI	20 PSI	30 PSI	40 PSI	50 PSI	
27500E-3/4-18-TEF	9	12.7	15.6	18	20	294.26 \$

THE ROTARY TANK RINSING NOZZLE IS USED FOR RINSING THE INSIDES OF CHEMICAL CONTAINERS AND SPRAY TANKS UP TO 6.5 FT IN DIAMETER. AVAILABLE WITH 1/2" NPT OR BSPT CONNECTIONS. SELF-CLEANING SLIDING BEARING. NOZZLE FITS IN 1-1/2" OPENING. BODY AND INSERTS ARE MADE OF POM (ACETAL).



PART#	CAPACITY GPM					PRICE
	20 PSI	30 PSI	40 PSI	50 PSI	60 PSI	
D41892-1/2-POM-6	4	4.9	5.7	6.4	7	218.51 \$

TEEJET CONTAINER RINSING NOZZLES

USED TO RINSE CONTAINERS BEFORE DISPOSAL. CAN BE USED ON CONTAINERS WITH 1-1/32" OPENING OR LARGER. THREE FLAT ORIFICES PROVIDE SELF-ROTATION FORCES NEEDED. MADE OF 316 STAINLESS WITH HARDENED STAINLESS STEEL BEARING.



PART#	INLET	CAPACITY GPM				PRICE
		30 PSI	40 PSI	50 PSI	60 PSI	
23240-3-HSS-5.7-316SS	1/2" FNPT	4.3	5	5.6	6.1	783.90 \$
23240-3-HSS-7-316SS	1/2" FNPT	6.1	7	7.8	8.6	815.36 \$

USED TO RINSE CONTAINERS BEFORE DISPOSAL. 40 ORIFICES PRODUCE A 240 DEGREE SPRAY ANGLE ALL NYLON CONSTRUCTION. RECOMMENDED OPERATING PRESSURE 30-60 PSI.



PART#	INLET	CAPACITY GPM				PRICE
		30 PSI	40 PSI	60 PSI	80 PSI	
VSM-12-44	1/2" FNPT	7.5	8.6	10.6	12.2	48.68 \$
VSM-12-90	1/2" FNPT	15.3	17.7	22	25	48.68 \$
VSM-34-90	3/4" FNPT	15.3	17.7	22	25	499.46 \$



COMBO-JET® Spray Tip-Caps

Wilger's patented all-in-one Tip-Cap & snap-in strainer.
See our selection of extended range and drift control spray tips and strainers.

COMBO-JET® Extended Range (ER) Tip-Cap-Smaller droplets, best coverage, greatest drift potential.

COMBO-JET® Drift Control (SR) Tip-Cap & Orifice-Small droplet drift reduction, excellent coverage lower drift potential.

COMBO-JET® Mid Range (MR) Tip-Cap & Orifice-Medium sized droplets for very good coverage with significant reduction in drift.

COMBO-JET® Drift Control (DR) Tip-Cap & Orifice-Large droplets for good coverage with maximum drift control.

TIP #	PART#	PSI	GPM	GALLONS PER ACRE 20" SPACING							
				6	7	8	10	12	16	18	20
				MPH	MPH	MPH	MPH	MPH	MPH	MPH	MPH
ER80-01	40270-01	20	0.07	3.5	3.0	2.6	2.1	1.7	1.3	1.2	1.0
SR80-01	40288-01	30	0.09	4.5	3.8	3.3	2.7	2.2	1.7	1.5	1.3
MR80-01	40290-01	40	0.10	5.0	4.2	3.7	3.0	2.5	1.9	1.7	1.5
DR80-01	40280-01	50	0.11	5.4	4.7	4.1	3.3	2.7	2.0	1.8	1.6
ER110-01	40281-01	60	0.12	5.9	5.1	4.5	3.6	3.0	2.2	2.0	1.8
		70	0.13	6.4	5.5	4.8	3.9	3.2	2.4	2.1	1.9
		80	0.14	6.9	5.9	5.2	4.2	3.5	2.6	2.3	2.1
ER80-015	40270-015	20	0.11	5.4	4.7	4.1	3.3	2.7	2.0	1.8	1.6
SR80-015	40288-015	30	0.13	6.4	5.5	4.8	3.9	3.2	2.4	2.1	1.9
MR80-015	40290-015	40	0.15	7.4	6.4	5.6	4.5	3.7	2.8	2.5	2.2
DR80-015	40280-015	50	0.17	8.4	7.2	6.3	5.0	4.2	3.2	2.8	2.5
ER110-015	40281-015	60	0.18	8.9	7.6	6.7	5.3	4.5	3.3	3.0	2.7
SR110-015	40287-015	70	0.20	9.9	8.5	7.4	5.9	5.0	3.7	3.3	3.0
MR110-015	40291-015	80	0.21	10.4	8.9	7.8	6.2	5.2	3.9	3.5	3.1
DR110-015	40286-015										
ER80-02	40270-02	20	0.14	6.9	5.9	5.2	4.2	3.5	2.6	2.3	2.1
SR80-02	40288-02	30	0.17	8.4	7.2	6.3	5.0	4.2	3.2	2.8	2.5
MR80-02	40290-02	40	0.20	9.9	8.5	7.4	5.9	5.0	3.7	3.3	3.0
DR80-02	40280-02	50	0.22	10.9	9.3	8.2	6.5	5.4	4.1	3.6	3.3
ER110-02	40281-02	60	0.24	11.9	10.2	8.9	7.1	5.9	4.5	4.0	3.6
SR110-02	40287-02	70	0.26	12.9	11.0	9.7	7.7	6.4	4.8	4.3	3.9
MR110-02	40291-02	80	0.28	13.9	11.9	10.4	8.3	6.9	5.2	4.6	4.2
DR110-02	40286-02										
ER80-025	40270-025	20	0.18	8.9	7.6	6.7	5.3	4.5	3.3	3.0	2.7
SR80-025	40288-025	30	0.22	10.9	9.3	8.2	6.5	5.4	4.1	3.6	3.3
MR80-025	40290-025	40	0.25	12.4	10.6	9.3	7.4	6.2	4.6	4.1	3.7
DR80-025	40280-025	50	0.28	13.9	11.9	10.4	8.3	6.9	5.2	4.6	4.2
ER110-025	40281-025	60	0.31	15.3	13.2	11.5	9.2	7.7	5.8	5.1	4.6
SR110-025	40287-025	70	0.33	16.3	14.0	12.3	9.8	8.2	6.1	5.4	4.9
MR110-025	40291-025	80	0.35	17.3	14.9	13.0	10.4	8.7	6.5	5.8	5.2
DR110-025	40286-025										
ER-80-03	40270-03	20	0.21	10.4	8.9	7.8	6.2	5.2	3.9	3.5	3.1
SR80-03	40288-03	30	0.26	12.9	11.0	9.7	7.7	6.4	4.8	4.3	3.9
MR80-03	40290-03	40	0.30	14.9	12.7	11.1	8.9	7.4	5.6	5.0	4.5
DR80-03	40280-03	50	0.34	16.8	14.4	12.6	10.1	8.4	6.3	5.6	5.0
ER110-03	40281-03	60	0.37	18.3	15.7	13.7	11.0	9.2	6.9	6.1	5.5
SR110-03	40287-03	70	0.40	19.8	17.0	14.9	11.9	9.9	7.4	6.6	5.9
MR110-03	40291-03	80	0.42	20.8	17.8	15.6	12.5	10.4	7.8	6.9	6.2
DR110-03	40286-03										

COMBO-JET® Spray Tip-Caps



PART#	STRAINERS	PRICE
40250-00	50 MESH RED	1.74 S
40251-00	100 MESH GREEN	1.74 S

DESCRIPTION	PRICE	DESCRIPTION	PRICE
ER Tips 01-08	9.36 S	ER Tips 10 & UP	10.79 S
SR Tips 01-06	14.78 S	SR Tips 08 & UP	15.96 S
MR Tips 01-05	14.78 S	MR Tips 06 & UP	15.96 S
DR Tips 01-04	14.78 S	DR Tips 05 & UP	15.96 S

TIP #	PART#	PSI	GPM	GALLONS PER ACRE 20" SPACING							
				6	7	8	10	12	16	18	20
				MPH	MPH	MPH	MPH	MPH	MPH	MPH	MPH
ER80-04	40270-04	20	0.28	13.9	11.9	10.4	8.3	6.9	5.2	4.6	4.2
SR80-04	40288-04	30	0.35	17.3	14.9	13	10.4	8.7	6.5	5.8	5.2
MR80-04	40290-04	40	0.40	19.8	17	14.9	11.9	9.9	7.4	6.6	5.9
DR80-04	40280-04	50	0.45	22	19	16.7	13.4	11.1	8.4	7.4	6.7
ER110-04	40281-04	60	0.49	24	21	18.2	14.6	12.1	9.1	8.1	7.3
SR110-04	40287-04	70	0.53	26	22	19.7	15.7	13.1	9.8	8.7	7.9
MR110-04	40291-04	80	0.57	28	24	21	16.9	14.1	10.6	9.4	8.5
DR110-004	40286-04										
ER80-05	40270-05	20	0.35	17.3	14.9	13	10.4	8.7	6.5	5.8	5.2
SR80-05	40288-05	30	0.43	21	18.2	16	12.8	10.6	8	7.1	6.4
MR80-05	40290-05	40	0.50	25	21	18.6	14.9	12.4	9.3	8.3	7.4
DR80-05	40280-05	50	0.56	28	24	21	16.6	13.9	10.4	9.2	8.3
ER110-05	40281-05	60	0.61	30	26	23	18.1	15.1	11.3	10.1	9.1
SR110-05	40287-05	70	0.66	33	28	25	19.6	16.3	12.3	10.9	9.8
MR110-05	40291-05	80	0.71	35	30	26	21	17.6	13.2	11.7	10.5
DR110-05	40286-05										
ER80-06	40270-06	20	0.42	21	17.8	15.6	12.5	10.4	7.8	6.9	6.2
SR80-06	40288-06	30	0.52	26	22	19.3	15.4	12.9	9.7	8.6	7.7
MR80-06	40290-06	40	0.60	30	25	22	17.8	14.9	11.1	9.9	8.9
DR80-06	40280-06	50	0.67	33	28	25	19.9	16.6	12.4	11.1	9.9
ER110-06	40281-06	60	0.73	36	31	27	22	18.1	13.6	12	10.8
SR110-06	40287-06	70	0.79	39	34	29	23	19.6	14.7	13	11.7
MR110-06	40291-06	80	0.85	42	36	32	25	21	15.8	14	12.6
DR110-06	40286-06										
ER80-08	40270-05	20	0.57	28	24	21	16.9	14.1	10.6	9.4	8.5
SR80-08	40288-08	30	0.69	34	29	26	20	17.1	12.8	11.4	10.2
MR80-08	40290-08	40	0.80	40	34	30	24	19.8	14.9	13.2	11.9
DR80-08	40280-08	50	0.89	44	38	33	26	22	16.5	14.7	13.2
ER110-08	40281-08	60	0.98	49	42	36	29	24	18.2	16.2	14.6
SR110-08	40287-08	70	1.06	52	45	39	31	26	19.7	17.5	15.7
MR110-08	40291-08	80	1.13	56	48	42	34	28	21	18.6	16.8
DR110-08	40286-08										
ER80-10	40270-10	20	0.71	35	30	26	21	18	13	12	11
SR80-10	40288-10	30	0.87	43	37	32	26	22	16	14	13
MR80-10	40290-10	40	1.00	50	42	37	30	25	19	17	15
DR80-10	40280-10	50	1.12	55	48	42	33	28	21	18	17
ER110-10	40281-10	60	1.22	60	52	45	36	30	23	20	18
SR110-10	40287-10	70	1.32	65	56	49	39	33	25	22	20
MR110-10	40291-10	80	1.41	70	60	52	42	35	26	23	21
DR110-10	40286-10										



COMBO-JET® & COMBO-RATE® NOZZLE BODIES

COMBO-JET® NOZZLE BODY -

Rugged and durable. Unique Radiallock cap retainer makes it easier to put on and take off caps and caps are less likely to get knocked off. Available in single, double, and triple outlet wet boom, dry boom & KWIKSTOP models.



COMBO-JET WET BOOM NOZZLE BODY "NEW STYLE"		
PART#	DESCRIPTION	PRICE
40510-00	SINGLE BODY 3/4" PIPE	5.33 S
40511-00	SINGLE BODY 1" PIPE	5.33 S
40516-00	DOUBLE BODY 3/4" PIPE	13.74 S
40517-00	DOUBLE BODY 1" PIPE	13.74 S
40526-00	TRIPLE BODY 3/4" PIPE	16.90 S
40527-00	TRIPLE BODY 1" PIPE	16.90 S

COMBO-JET WET BOOM NOZZLE BODY		
PART#	DESCRIPTION	PRICE
40254-00	SINGLE BODY 3/4" PIPE	7.19 S
40256-00	SINGLE BODY 1" PIPE	7.19 S
40255-00	DOUBLE BODY 3/4" PIPE	18.52 S
40257-00	DOUBLE BODY 1" PIPE	22.27 S
40266-00	TRIPLE BODY 3/4" PIPE	22.80 S
40267-00	TRIPLE BODY 1" PIPE	24.98 S
40155-07	DIAPHRAGM - FAIRPRENE	0.90 S

COMBO-JET DRY BOOM NOZZLE BODY		
PART#	DESCRIPTION	PRICE
40352-00	SINGLE	8.91 S
40353-00	DOUBLE	16.58 S
40354-00	TRIPLE	20.84 S



COMBO-RATE® NOZZLE BODY -

Lets you spray with more than one tip at same location to optimize coverage, drift control...and results.



CAPSTAN BLENDED PULSE NOZZLE BODY		
PART#	DESCRIPTION	PRICE
41135-00	Thru-body Assy for Capstan (w/o nut)	4.12 S
41533-00	3-way Turret-body Assy for Capstan (w/o nut)	13.61 S
41534-00	4-way Turret-body Assy for Capstan (w/o nut)	13.61 S
41535-00	5-way Turret-body Assy for Capstan (w/o nut)	13.61 S

COMBO-RATE DIAPHRAGM NOZZLE BODY		
PART#	DESCRIPTION	PRICE
41100-00	Thru-body Assy Diaphragm Check	9.10 S
41101-00	End-body Assy Diaphragm Check	8.30 S
41503-00	3-way Turret-body Assy Diaphragm Check	18.23 S
41504-00	4-way Turret-body Assy Diaphragm Check	18.23 S
41505-00	5-way Turret-body Assy Diaphragm Check	18.23 S



COMBO-RATE WET BOOM SADDLES		
PART#	DESCRIPTION	PRICE
41203-00	Wet Boom Saddle Assy 3/4" Pipe, 3/8" Inlet	6.27 S
41200-00	Wet Boom Saddle Assy 1" Pipe, 3/8" Inlet	6.27 S
41201-00	Wet Boom Saddle Assy 1" Pipe, 9/16" Inlet	6.27 S
41206-00	Wet Boom Saddle Assy 2" Pipe, 9/16" Inlet	7.30 S



COMBO-RATE DRY BOOM COMPONENTS		
PART#	DESCRIPTION	PRICE
41256-00	Combo-Clip 3/4" Square Mount Adapter	3.60 S

COMBO-RATE MANUAL ON/OFF DIAPH BODY		
PART#	DESCRIPTION	PRICE
41110-00	Thru-body Assy Manual On/Off	10.40 S
41111-00	End-body Assy Manual On/Off	9.66 S
41513-00	3-way Turret-body Assy Manual On/Off	19.53 S
41514-00	4-way Turret-body Assy Manual On/Off	19.53 S
41515-00	5-way Turret-body Assy Manual On/Off	19.53 S



CONVENTIONAL NOZZLE BODIES & PARTS



CONVENTIONAL/SQUARE-LUG SWIVEL NOZZLE BODIES - are interchangeable with conventional/square-lug nozzle bodies and accommodate conventional/square-lug tip caps. Available in single, double and triple outlet wet boom, dry boom and KWIKSTOP models.



CONVENTIONAL WET BOOM NOZZLE BODY		
PART#	DESCRIPTION	PRICE
40193-00	SINGLE BODY FOR 3/4" PIPE	5.34 S
40194-00	SINGLE BODY FOR 1" PIPE	5.34 S
40195-00	DOUBLE BODY FOR 3/4" PIPE	13.75 S
40196-00	DOUBLE BODY FOR 1" PIPE	13.75 S
40197-00	TRIPLE BODY FOR 3/4" PIPE	16.90 S
40198-00	TRIPLE BODY FOR 1" PIPE	16.90 S



CONVENTIONAL DRY BOOM NOZZLE BODY		
PART#	DESCRIPTION	PRICE
40152-00	DOUBLE DRY BOOM BODY	16.58 S
40153-00	TRIPLE DRY BOOM BODY	20.84 S



DRY BOOM HOSE SHANKS				
	PART#			PRICE
SINGLE	40301-00	40306-00	40311-00	1.96 S
DOUBLE	40302-00	40307-00	40312-00	1.96 S
TRIPLE	N/A	N/A	40313-00	2.64 S



CONVENTIONAL WET BOOM NOZZLE BODY		
PART#	DESCRIPTION	PRICE
40154-00	SINGLE BODY FOR 3/4" PIPE	7.19 S
40156-00	SINGLE BODY FOR 1" PIPE	7.19 S
40155-00	DOUBLE BODY FOR 3/4" PIPE	18.54 S
40157-00	DOUBLE BODY FOR 1" PIPE	18.54 S
40166-00	TRIPLE BODY FOR 3/4" PIPE	22.80 S
40167-00	TRIPLE BODY FOR 1" PIPE	22.80 S
40155-07	DAIPHFRAGM - FAIRPRENE	0.90 S

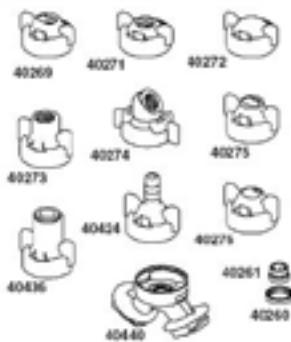


COMBO-JET CONVERSION ADAPTER		
PART#	DESCRIPTION	PRICE
40200-00	Conventional to Combo-Jet	2.37 S
40202-00	Hardi to Combo-Jet	2.37 S
40203-00	Combo-Jet to Conventional	2.37 S



BOOM END FLUSH VALVE		
PART#	DESCRIPTION	PRICE
25175-VO	1" QN SST Style & 1-1/4"	27.41 S
25176-VO	1" NPTF Style	32.52 S
41402-VO	TWS (Case IH) Style	27.41 S
25173-03	Standard Handle	2.77 S
25175-13	Long Handle	2.77 S

RADIALOCK CAPS - SLOTTED, HOSEBARB, THREADED & SEAL ADAPTER		
For colors on caps add - 01 RED, 02 WHITE, 03 GREEN, 04 YELLOW, 05 BLACK		
PART #	DESCRIPTION	PRICE
40269-XX	Cap - Universal, Slot - 3/8" Wide	0.91 S
40271-XX	Cap - Universal, Round - 1/2" Diam	1.01 S
40275-XX	Cap - Hardi Slot	1.01 S
40276-XX	Cap - Wide Slot - 7/16" Wide	1.02 S
40279-XX	Cap - Universal, Slot, High Volume - 3/8" Wide	1.02 S
40272-05	Cap - Plug	1.01 S
40273-05	Cap - 1/4" NPTF	1.29 S
40274-05	Cap - 1/4" NPTF, 45 Degree	2.99 S
40277-05	Cap - 1/8" NPFT	1.29 S
40420-05	Cap - 1/8" Hose Barb	1.28 S
40422-05	Cap - 1/4" Hose Barb	1.28 S
40424-05	Cap - 3/8" Hose Barb	1.28 S
40426-05	Cap - 1/2" Hose Barb	1.29 S
40435-05	Cap - 1/4" Tube Push-In Fitting	4.00 S
40436-05	Cap - 3/8" Tube Push-In Fitting	4.10 S
40440-00	Twin Cap Adapter Assy w/Seal	4.76 S
40261-00	Seal Adapter	0.38 S

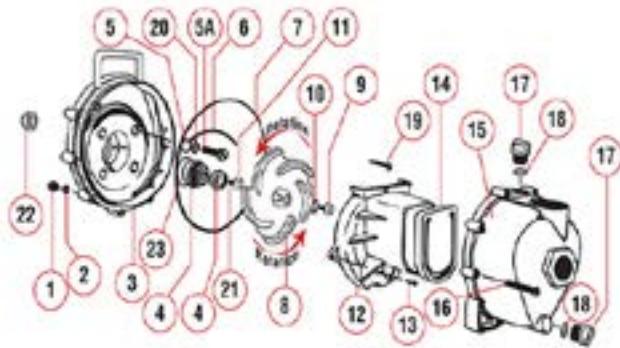


GAS-DRIVEN POLY TRANSFER PUMPS

PART#	PUMP SIZE	MOTOR	HP	GPM	PRICE
B200P6PRO	2"	BRIGGS	6.5	190	405.35 P
B200PH-5	2"	HONDA	5.5	190	708.79 P
B200PH6	2"	HONDA	6.5		970.82 P
B200P6PROE	2"	BRIGGS	6.5		625.35 P
B300PH-6	3"	HONDA	6.5	300	831.32 P
B200PO	2"	PUMP ONLY		190	389.42 R
B205PO	2"	PUMP ONLY		300	389.42 R
B300PO	3"	PUMP ONLY			551.48 R



**NEW STYLE BREAKDOWN SHOWN
"V" SHAPED BODY PRIMES FASTER.**



PUMP REPAIR KITS		
PART#	DESCRIPTION	PRICE
12000A	PUMP REPAIR KIT 2"	118.66 S
13000	PUMP REPAIR KIT 3"	134.04 S
12999A	SEAL/O-RING KIT 2"	84.65 S
13999	SEAL/O-RING KIT 3"	84.65 S

2" Pump Roll Cage



PART# PRC200 \$230.94 Y

Pump Cover



PART# PCVR \$73.80 Y

PARTS NEW DESIGN MFG BEGINNING SEPT 1996					
REF #	DESCRIPTION	REQ	PART # 2"	PART # 3"	PRICE
1	BODY NUTS SS	10	V07019	V07019	1.20 S
2	LOCK WASHER SS	10	V07018	V07018	1.20 S
3	POLY PUMP REAR BRACKET	1	12703A	12703A	103.95 S
4	SEAL ASSEMBLY	1	12713	12713	50.89 S
5	SCREW HEADS O-RING	4	12717	12717	1.08 S
#	BRACKET SCREWS SS	4	12715A	12715A	4.39 S
6	O-RING SEGMENT	1	12754	12754	6.97 S
7	BODY O-RING	1	12719A	12719A	16.60 S
8	5 VANE IMPELLER	1	12772		48.75 S
	4 VANE IMPELLER			13771	68.58 S
9	IMPELLER BOLT SS	1	12765A	13765	20.90 S
10	IMPELLER BOLT GASKET	1	12774VA	12774VA	1.89 S
11	IMPELLER NUT	1	12775A	12775A	16.60 S
12	POLY PUMP VOLUTE	1	12702A		78.32 S
				13702	84.65 S
13	VOLUTE SCREWS SS	2	12725	12725	4.39 S
14	POLY PUMP CHECK VALVE	1	12705	12705	18.75 S
15	POLY PUMP BODY ASSY	1	12712A		160.74 S
				13712	214.31 S
16	BODY SCREWS SS	10	12720	12720	4.39 S
17	PRIME / DRAIN PLUG	2	12777		3.22 S
				13777	5.28 S
18	PLUG O-RING	2	UV15163		1.20 S
				13778	2.25 S
19	UPPER VOLUTE SCREW SS	1	12900	12900	1.82 S
20	REAR BRACKET WASHER SS	1	12901	12901	1.08 S
21	IMPELLER KEY	1	12902A	12902A	2.12 S
22	POLY PUMP SLINGER	1	12716	12716	6.97 S
23	O-RING SEAL ASSEMBLY	1	12710	12710	4.39 S

BANJO PUMPS



M220 2" Manifold Poly Pumps



FEATURES:

- * Precision molded construction
- * Lightweight
- * Corrosion resistant
- * Superior design
- * Low maintenance
- * EPDM Standard, FKM (viton type) available

CAUTION-WARNING:

Please do not run pump dry, restrict or reduce port sizes, or dead head pump.



M220P6PRO

DO NOT USE WITH FLAMMABLE LIQUIDS.

M220PH5

PART #	DESCRIPTION	PRICE
M220PH5	2" Manifold Poly Pump w/5.5 HP Honda Engine	745.00 P
M220PH5E**	2" Manifold Poly Pump w/5.5 HP Honda Engine w/Electric Start	975.00 P
M220PH6	2" FP Manifold Super Pump w/6.5 HP Honda Engine	990.00 P
M220P6PRO	2" FP Manifold Super Pump w/6.5 HP Briggs & Stratton Pro Series Engine	550.00 P
M220PO	2" Manifold Poly Pump ONLY w/3/4" Shaft & 4 Vane Impeller	395.00 R
** ELECTRIC START		

REPLACEMENT PARTS							
DESCRIPTION	REQ	PART#	PRICE	DESCRIPTION	REQ	PART#	PRICE
Mechanical Seal Assembly	1	12713	50.89 S	SS Body Hex Nut	10	V07019	1.20 S
5/16" Flat Washer	4	12901	1.08 S	7/16-14 Hex Nut	1	12775A	16.60 S
#11 O'ring	4	12717	1.08 S	3/16" Sq x 5/8" Key	1	12902A	2.12 S
2" FP Manifold Pump Body Assy	1	M12712	225.02 S	2" Poly Pump Volute	1	12702A	78.32 S
Check Valve	1	12705	18.75 S	5 Vane Impeller	1	12772	48.72 S
#10 x 1-1/2" PPH SMS	1	12900	1.82 S	Decal	1		
#6 x 1/2" PPH SMS	2	12725	4.39 S	#029 O'ring	1	12710	4.39 S
#375 O'ring	1	12719A	16.60 S	Pump Slinger	1	12716	6.97 S
O'ring Segment	1	12754	6.97 S	5/16-24 x 1-1/8" HFS	1	12765A	20.90 S
SS Body Screws	10	12720	4.39 S	Impeller Bolt Gasket	1	12774VA	1.89 S
SS Lockwasher	10	V07018	1.20 S	SS Bracket Screws	4	12715A	4.39 S
				Poly Pump Rear Bracket	1	12703A	103.59 S

NOTE: The M230 Super Pump Series has become the M220 Super Pump Series

BANJO PUMPS

2" POLY PUMP with ELECTRIC MOTORS



FEATURES

- * Additional drive protection with added 1" spacer for ultimate protection
 - * Special non-metallic mechanical seal designed for better chemical resistance
 - * All elastomers are FKM (viton type)
 - * All internal fasteners are PTFE coated stainless steel
 - * The Banjo "Super Slinger" included for even more drive unit protection
- Do not run pump dry.**
DO NOT USE WITH FLAMMABLE LIQUIDS.

PART #	DESCRIPTION	PRICE
234PPE5	2" Poly Pump w/5.0 HP Three Phase Electric Motor w/EPDM Elastomers	1,530.22 P
234PPE5V	2" Poly Pump w/5.0 HP Three Phase Electric Motor w/FKM (viton type) Elastomers	1,749.52 P
234PPE51	2" Poly Pump w/5.0 HP Single Phase Electric Motor w/EPDM Elastomers	1,693.52 P
234PPE51V	2" Poly Pump w/5.0 HP Single Phase Electric Motor w/FKM (viton Type) Elastomers	2,067.75 P
200PEO	2" Poly Pump w/56C Face Adapter	389.45 R

2" & 3" POLY PUMP with HYDRAULIC MOTOR



PUMP FEATURES

- * Precision molded construction
- * Lightweight
- * Corrosion resistant
- * Superior design
- * Low maintenance

HYDRAULIC MOTOR FEATURES

- * Hydraulic fluid capacity
- * Minimum 6 Gallon/Maximum 10 Gallon
- * 12 HP Motor
- * Open or closed system
- * 3600 RPM

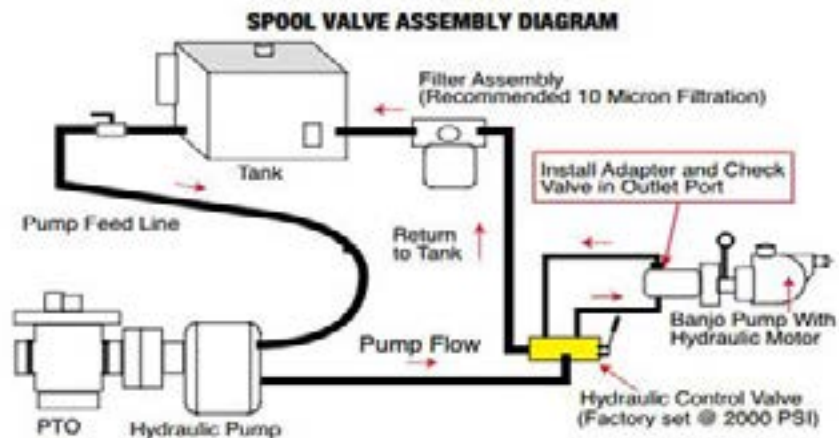
PART #	DESCRIPTION	PRICE
B200PHA	2" Poly Pump without Hydraulic Motor	680.39 R
B200PHY	2" Poly Pump w/12 HP Hydraulic Motor	1,643.21 P
B200PHYW	2" Poly Wet Seal Pump w/12 HP Hydraulic Motor	2,156.86 P
B300PHY	3" Poly Pump w/12 HP Hydraulic Motor	1,811.08 P
B300PHYW	3" Poly Wet Seal Pump w/12 HP Hydraulic Motor	1,962.30 P



PART# HSV1000 \$1,089.47 Y

Recommendation:

We recommend using the motor spool control valve or a suitable equivalent. The lack of such a valve in the circuit may cause failure to the hydraulic motor.



BANJO PUMPS



2" POLY MANIFOLD WET SEAL PUMPS

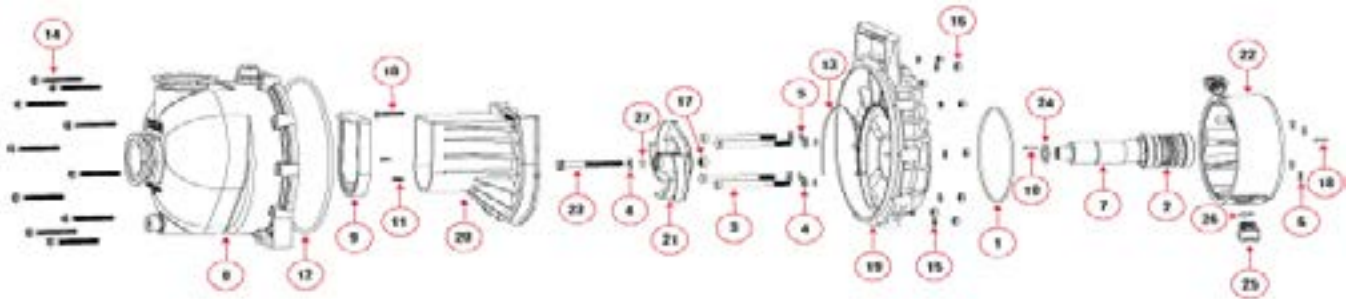
FEATURES



- * New Compact Design!
- * Run Dry Capability!
- * Double seal contained in ethylene glycol reservoir
Carbon seal faces w/stainless steel cup & spring w/EPDM rubber
- * Pump end separated from engine
- * Large weep holes between pump end and engine
- * "V" shaped for quicker priming

Do not use with flammable liquids

2" POLY MANIFOLD WET SEAL PUMPS					
PART#	PUMPSIZE	MOTOR	HP	GPM	PRICE
M220PH5W	2"	HONDA	5.5	216	1,068.79 P
M220P6PROW	2"	BRIGGS	6.5	216	725.35 P

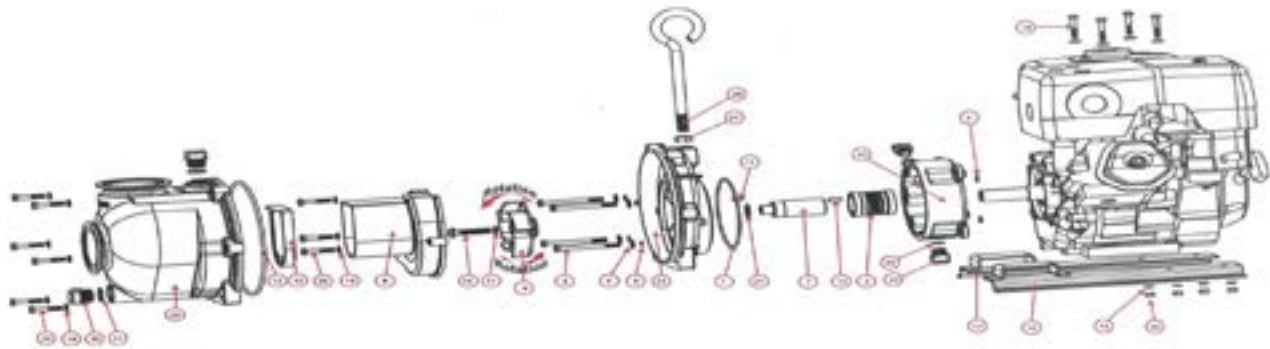


REPLACEMENT PARTS									
REF #	REQ	PART #	DESCRIPTION	PRICE	REF #	REQ	PART #	DESCRIPTION	PRICE
1	1	13719	O-ring	3.11 S	14	10	12720	SS Body Screw	4.39 S
2	1	15035E	EPDM Mechanical Seal Assembly	268.54 S	15	10	V07018	1/4" SS Lock Washer	1.20 S
3	4	13034	5/16"-24 x 3-3/4" HHCS	10.17 S	16	10	V07019	1/4" SS Nut	1.20 S
4	5	12901	SS Rear Bracket Washer	1.08 S	17	1	12775A	Impeller Hex Nut	16.60 S
5	4	12717	O-ring for Screw Head	1.08 S	18	1	12902A	Impeller Key	2.12 S
6	4	12709	O-ring	1.08 S	19	1	12707W	Wet Seal Rear Bracket	83.58 S
7	1	12155	Adapter Shaft	150.01 S	20	1	12702A	Poly Pump Volute	78.23 S
8	1	M12712	2" FP Manidold Body Assembly	225.02 S	21	1	12772	Impeller	48.75 S
9	1	12705	Poly Pump Check Valve	18.75 S	22	1	12202W	Wet Seal Reservoir	96.44 S
10	1	12900	SS Upper Volute Screw	1.82 S	23	1	12766	5/16"-24 x 3-1/2" HFS	8.03 S
11	2	12725	SS Volute Screw	4.39 S	24	1	CV10175	Gasket	1.80 S
12	1	12719A	Body O-ring	16.60 S	25	2	12777	1/2" Plug	3.28 S
13	1	12754	O-ring Segment	6.97 S	26	2	UV15163	Prime/Drain Plug O-ring	1.20 S
					27	1	A203V	O-ring	2.12 S

M332 Manifold Wet Seal Series Pumps



PART#	DESCRIPTION	PRICE
M332PIH13W	3" Manifold Cast Iron Wet Seal Pump w/13 HP Honda Engine	2,695.00 P
M332PIE10W	3" Manifold Cast Iron Wet Seal Pump w/10 HP Three Phase Electric Motor	2,695.00 P
M332PIE101W	3" Manifold Cast Iron Wet Seal Pump w/10 HP Single Phase Electric Motor	3,375.00 P



PARTS M332 WET SEAL CAST IRON					PARTS M332 WET SEAL CAST IRON				
REF #	DESCRIPTION	REQ	PART#	PRICE	REF #	DESCRIPTION	REQ	PART#	PRICE
1	O-Ring	1	13719	3.11 S	16	Z-Rail	1	18135B	26.26 S
2	Mechanical Seal Assembly	1	15035E	268.54 S	17	Z-Rail	1	18135A	26.26 S
3	5/16" - 24 x 3-3/4" HHCS	4	13034	10.17 S	18	5/16" - 18 x 1-3/4" HHCS	4	17029	1.58 S
4	5/16" Flat Washer	8	12901	1.08 S	19	5/16" Lock Washer	13	V10118	1.20 S
5	O-Ring for Bracket Screw	4	12717	1.08 S	20	5/16" Hex Nut	4	V10119	1.20 S
6	O-Ring	4	12709	1.08 S	21	Gasket	2	CV10175	1.80 S
7	Adapter Shaft	1	13055	128.59 S	22	Prime/Drain Plug	2	12777	3.28 S
8	Volute	1	19702	123.09 S	23	O-Ring	2	UV15163	1.20 S
9	5 Vane Impeller	1	19772	85.04 S	24	Rear Bracket	1	19703W	156.65 S
10	Check Valve	1	12705	18.75 S	25	Wet Seal Reservoir	1	19201W	123.09 S
11	Impeller Bolt Gasket	1	12774VA	1.89 S	26	5/16" - 24 x 1-3/4" HHCS	9	12715A	4.39 S
12	Body O-Ring	1	12719A	16.60 S	27	5/8" - 11 Jam Nut	1	18034	4.63 S
13	Impeller Key	1	12902A	2.12 S	28	Pump Handle	1	18033	22.94 S
14	1/4" sq x 3/4" Key Stock	1	16901	4.59 S	29	Pump Body	1	M19712X	246.16 S
15	3/8" - 24 x 2-1/4" HFS	1	13766	4.39 S	30	3/4" Drain Plug	2	13777	5.28 S
					31	O-Ring	2	13778	2.25 S

HYPRO ROLLER PUMPS



1500 SERIES



1700 SERIES



4001 SERIES



4101 SERIES



6500 SERIES



7500 SERIES

FEATURES:

CAST IRON, NI-RESIST OR SILVER-CAST CONSTRUCTION.
 POSITIVE DISPLACEMENT PUMPS FOR MOST
 AGRICULTURAL CHEMICAL TRANSFER & SPRAYING



7700 SERIES

MODEL	MAX GPM	MAX PSI	MAX RPM	DESCRIPTION	PRICE
1200C	74	150	800	CAST IRON, 4-ROLLER PUMP WITH SUPER ROLLERS, BUNA N SEALS, 1-1/2" NPT PORTS & 1" SOLID SHAFT	DISCONTINUED
1502C	62	150	1000	CAST IRON, 6-ROLLER PUMP WITH SUPER ROLLERS, BUNA N SEALS, 1-1/2" NPT PORTS & 15/16" SOLID SHAFT	775.84 S
1502N	62	150	1000	NI-RESIST, 6-ROLLER PUMP WITH SUPER ROLLERS, BUNA N SEALS, 1-1/2" NPT PORTS & 15/16" SOLID SHAFT	1,282.05 S
1700C	45	200	1000	CAST IRON, 5-ROLLER PUMP WITH SUPER ROLLERS, VITON SEALS, 1" NPT PORTS & 15/16" SOLID SHAFT	505.44 S
1700N	45	200	1000	NI-RESIST, 5-ROLLER PUMP WITH SUPER ROLLERS, VITON SEALS, 1" NPT PORTS & 15/16" SOLID SHAFT	1,043.70 S
1700XL	45	200	1000	SILVERCAST 5-ROLLER PUMP WITH SUPER ROLLERS, VITON SEALS, 1" NPT PORTS & 15/16" SOLID SHAFT	1,395.45 S
4001C	9	150	1800	CAST IRON, 4-ROLLER PUMP WITH SUPER ROLLERS, VITON SEALS, 3/4" NPT PORTS & 5/8" SOLID SHAFT	244.40 S
4001N-EH	10.4	30	1900	12V MOTOR DRIVEN, NI-RESIST, 4-ROLLER PUMP WITH SUPER ROLLERS, VITON SEALS, 3/4" PORTS & 1/2" HOLLOW SHAFT	894.60 S
4101C	7	150	2600	CAST IRON, 4-ROLLER PUMP WITH SUPER ROLLERS, VITON SEALS, 3/4" NPT PORTS & 5/8" SOLID SHAFT	225.68 S
4101N-EH	7.5	50	1900	12V MOTOR DRIVEN, NI-RESIST, 4-ROLLER PUMP WITH SUPER ROLLERS, VITON SEALS, 3/4" PORTS & 1/2" HOLLOW SHAFT	882.00 S
6500C	22	300	1200	CAST IRON, 6-ROLLER PUMP WITH SUPER ROLLERS, VITON SEALS, 3/4" NPT PORTS & 5/8" SOLID SHAFT	244.40 S
6500N	22	300	1000	NI-RESIST, 6-ROLLER PUMP WITH SUPER ROLLERS, VITON SEALS, 3/4" NPT PORTS & 5/8" SOLID SHAFT	554.40 S
7560C	22	300	1000	CAST IRON, 8-ROLLER PUMP WITH SUPER ROLLERS, VITON SEALS, 3/4" NPT PORTS & 15/16" SOLID SHAFT	319.28 S
7560N	22	300	1000	NI-RESIST, 8-ROLLER PUMP WITH SUPER ROLLERS, VITON SEALS, 3/4" NPT PORTS & 15/16" SOLID SHAFT	628.95 S
7700C	22.4	200	800	CAST IRON, 7-ROLLER PUMP WITH SUPER ROLLERS, VITON SEALS, 3/4" NPT PORTS & 15/16" SOLID SHAFT	324.48 S
7700N	22.4	200	800	NI-RESIST, 7-ROLLER PUMP WITH SUPER ROLLERS, VITON SEALS, 3/4" NPT PORTS & 15/16" SOLID SHAFT	628.95 S

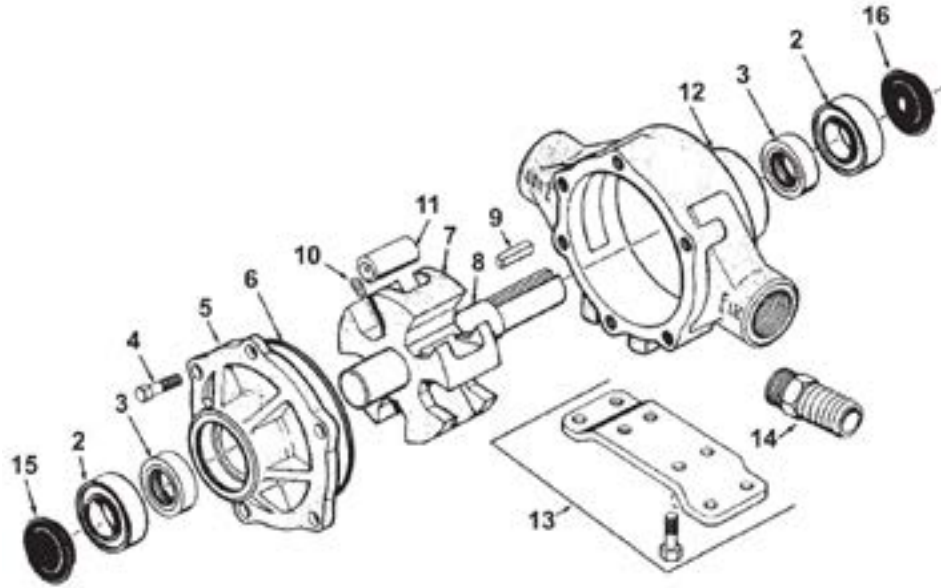
HYPRO PTO ADAPTERS



**HYPRO HEAVY DUTY PTO COUPLERS DESIGNED TO QUICKLY ATTACH ROLLER PUMPS SECURELY TO PTO SHAFTS.
MODELS FOR BOTH 540 & 1000 RPM PTO SHAFTS.**

PTO (IN)	QUICK DISCONNECT				PRICE
	RPM	SHAFT DIA (IN)	PART #	FITS PUMP	
1-3/8"	540	5/8"	1321-0006	6500	59.54 S
1-3/8"	540	15/16"	1321-0007	1502, 1700, 7560, 7700	64.48 S
1-3/8"	1000	5/8"	1321-0008	6500	72.02 S
1-3/8"	1000	15/16"	1321-0009	1502, 1700, 7560	70.72 S
1-3/8"	MULTI	5/8"	1321-0012	6500	59.54 S
1-3/8"	MULTI	15/16"	1321-0013	1502, 1700, 7560, 7700	63.44 S
PTO (IN)	STANDARD				PRICE
	RPM	SHAFT DIA (IN)	PART #	FITS PUMP	
1-3/8"	540	5/8"	1320-0022	6500	31.98 S
1-3/8"	540	15/16"	1320-0076	1500, 1700, 7560, 7700	58.76 S
1-3/8"	540	5/8"	1320-0077	6500	56.68 S
1-3/8"	1000	15/16"	1320-0078	1500, 1700, 7560	56.16 S
1-3/8"	1000	5/8"	1320-0079	4000, 6500	43.16 S
1-3/4"	1000	15/16"	1320-0080	1500, 1700, 7560	82.16 S
1-3/8"	540	1"	1320-0081	1200	85.28 S

HYPRO ROLLER PUMP REPAIR PARTS



1500 SERIES

1700 SERIES

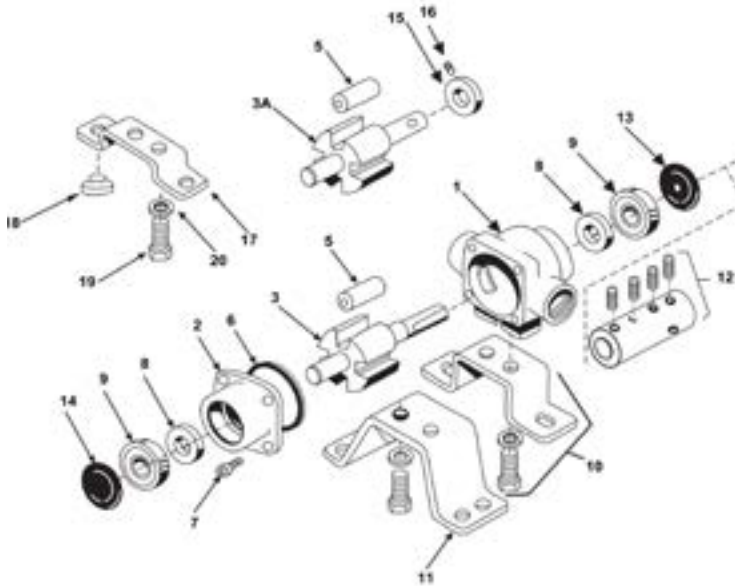
1500 SERIES				
Ref No.	Qty Req'd	Part Number	Description	Price
	1	6031-0258	Name Plate (Specify Model #)	N/A
2	2	2008-0001	Sealed Balll Bearing	16.72 S
3	2	2112-0001	Buna-N Seal (Std)	16.85 S
3	2	2112-0003	Viton Seal	18.43 S
4	6	2210-0026	Bolt	1.11 S
5	1	0200-1500C	Endplate (cast Iron) w/Seal	240.24 S
5	1	0200-1500N	Endplate (Ni-Resist) w/Seal	499.20 S
6	1	1720-0003	O-ring Gasket for Endplate	3.27 S
7	1	0300-1502C	Rotor (SilverCast) w/Shaft (Std)	316.16 S
7	1	0300-1502N	Rotor (Ni-Resist) w/Shaft (Std)	695.76 S
7A	1	0301-1502C	Rotor (SilverCast) w/Shaft (Rev)	319.28 S
7A	1	0301-1502N	Rotor (Ni-Resist) w/Shaft (Rev)	702.00 S
8	1	0500-1502	Shaft Only	70.20 S
9	1	1610-0005	Key	1.80 S
10	1	2230-0018	Set Screw	0.85 S
11	6	1005-0005	Super Roller (Std)	8.95 S
12	1	0100-1500C	Body (Cast Iron) w/Seal	524.16 S
12	1	0100-1500N	Body (Ni-Resist) w/Seal	1,197.04 S
13	1 kit	3420-0004	Base Kit Includes: (1) Base, (4) Bolts, (4) Lockwashers	100.36 S
15	1	2300-0020	Bearing Cover	163 S
16	1	2300-0022	Shaft Bearing Cover	1.63 S

1700 SERIES				
Ref No.	Qty Req'd	Part Number	Description	Price
	1	6031-0258	Name Plate (Specify Model #)	N/A
2	2	2008-0001	Sealed Balll Bearing	16.72 S
3	2	2112-0001	Buna-N Seal (Std)	16.85 S
3	2	2112-0003	Viton Seal	18.43 S
4	6	2210-0005	Bolt	0.84 S
5	1	0200-1700C	Endplate (cast Iron) w/Seal	146.64 S
5	1	0200-1700N	Endplate (Ni-Resist) w/Seal	408.72 S
6	1	1720-0099	O-ring Gasket for Endplate	2.25 S
7	1	0300-1700C	Rotor (SilverCast) w/Shaft (Std)	212.16 S
7	1	0300-1700N	Rotor (Ni-Resist) w/Shaft (Std)	501.28 S
7A	1	0301-1700C	Rotor (SilverCast) w/Shaft (Rev)	203.84 S
7A	1	0301-1700N	Rotor (Ni-Resist) w/Shaft (Rev)	501.28 S
8	1	0500-1502	Shaft Only	70.20 S
9	1	1610-0005	Key	1.80 S
10	1	2230-0018	Set Screw	0.85 S
11	5	1005-0005	Super Roller (Std)	8.95 S
12	1	0100-1700C	Body (Cast Iron) w/Seal	283.92 S
12	1	0100-1700N	Body (Ni-Resist) w/Seal	955.76 S
13	1 kit	3420-0010	Base Kit Includes: (1) Base, (4) Bolts	62.92 S
14	1	BHB114	1-1/4" Hose Barb	2.78 S
15	1	2300-0020	Bearing Cover	1.63 S
16	1	2300-0022	Shaft Bearing Cover	1.63 S



HYPRO ROLLER PUMP REPAIR PARTS

4000 SERIES



REPAIR PARTS KIT:

CONSISTS OF::

(4) REF 5 SUPER ROLLERS

(1) REF 6 O-RING GASKET

(2) REF 8 VITON SEALS

PART# 3430-0390 \$40.56 S

4001				
Ref #	Qty	Part #	Description	Price
1	1	0100-4001C	Body (Cast Iron) w/Std Seal	99.06 S
1	1	0100-4001N	Body (Ni-Resist) w/Std Seal	315.12 S
2	1	0200-4001C	Endplate (Cast Iron) w/Std Seal	59.28 S
2	1	0200-4001N	Endplate (Ni-Resist) w/Std Seal	122.72 S
3	1	0300-4001C	Rotor (Cast Iron) & Shaft Assembly	121.68 S
3	1	3430-0765	Rotor (Ni-Resist)/Shaft/Key	108.16 S
3A	1	3430-0780	Kit Hollow Shaft	107.12 S
5	4	1005-0002	Super Rollers (Std)	4.27 S
6	1	1720-0104	O-ring Gasket for Endplate	1.06 S
7	4	2220-0018	Endplate Screw	1.01 S
8	2	2107-0002	Viton Seal (Std)	11.63 S
9	2	2000-0010	Ball Bearing	11.28 S
10	1	3420-0024	Base Kit (3-1/2" shaft centerline)	46.80 S
11	1	3420-0025	Base Kit (4-3/16" shaft centerline)	54.34 S
12	1 kit	1320-0016	Adapter w/screws (5/8" x 5/8")	43.68 S
12	1 kit	1320-0015	Adapter (5/8" x 3/4")	44.72 S
13	1	2300-0023	Shaft Bearing Cover	1.71 S
14	1	2300-0021	Bearing Cover	1.63 S
15	1	1420-0001	Locking Collar	6.64 S
16	1	2230-0001	Set Screw	2.13 S
17	1	1510-0054	Base	15.43 S
18	2	1450-0003	Bumper	1.53 S
19	2	2210-0003	Bolt	1.08 S
20	2	2260-0002	Lock Washer	1.06 S

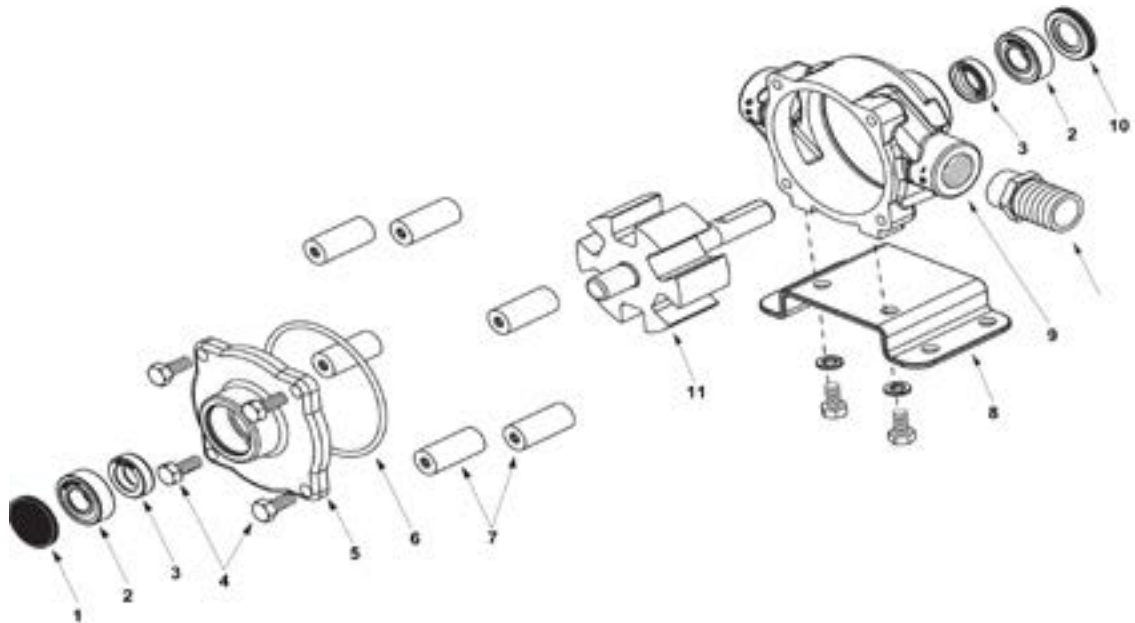
4001				
Ref #	Qty	Part #	Description	Price
1	1	0100-4101C	Body (Cast Iron) w/Std Seal	144.56 S
1	1	0100-4101N	Body (Ni-Resist) w/Std Seal	315.12 S
2	1	0200-4101C	Endplate (Cast Iron) w/Std Seal	56.16 S
2	1	0200-4101N	Endplate (Ni-Resist) w/Std Seal	121.68 S
3	1	0300-4101C	Rotor (Cast Iron) & Shaft Assembly	100.88 S
3	1	3430-0766	Rotor (Ni-Resist)/Shaft/Key	130.00 S
3A	1	3430-0781	Kit Hollow Shaft	124.80 S
5	4	1005-0002	Super Rollers (Std)	4.27 S
6	1	1720-0104	O-ring Gasket for Endplate	1.06 S
7	4	2220-0018	Endplate Screw	1.01 S
8	2	2107-0002	Viton Seal (Std)	11.63 S
9	2	2000-0010	Ball Bearing	11.28 S
10	1	3420-0024	Base Kit (3-1/2" shaft centerline)	46.80 S
11	1	3420-0025	Base Kit (4-3/16" shaft centerline)	54.34 S
12	1 kit	1320-0016	Adapter w/screws (5/8" x 5/8")	43.68 S
12	1 kit	1320-0015	Adapter (5/8" x 3/4")	44.72 S
13	1	2300-0023	Shaft Bearing Cover	1.71 S
14	1	2300-0021	Bearing Cover	1.63 S
15	1	1420-0001	Locking Collar	6.64 S
16	1	2230-0001	Set Screw	2.13 S
17	1	1510-0054	Base	15.43 S
18	2	1450-0003	Bumper	1.53 S
19	2	2210-0003	Bolt	1.08 S
20	2	2260-0002	Lock Washer	1.06 S



HYPRO ROLLER PUMP REPAIR PARTS



6500 SERIES



REPAIR PARTS KIT

CONSISTS OF:

(6) REF 7 SUPER ROLLER

(1) REF 6 O-RING

(2) REF 3 VITON SEALS

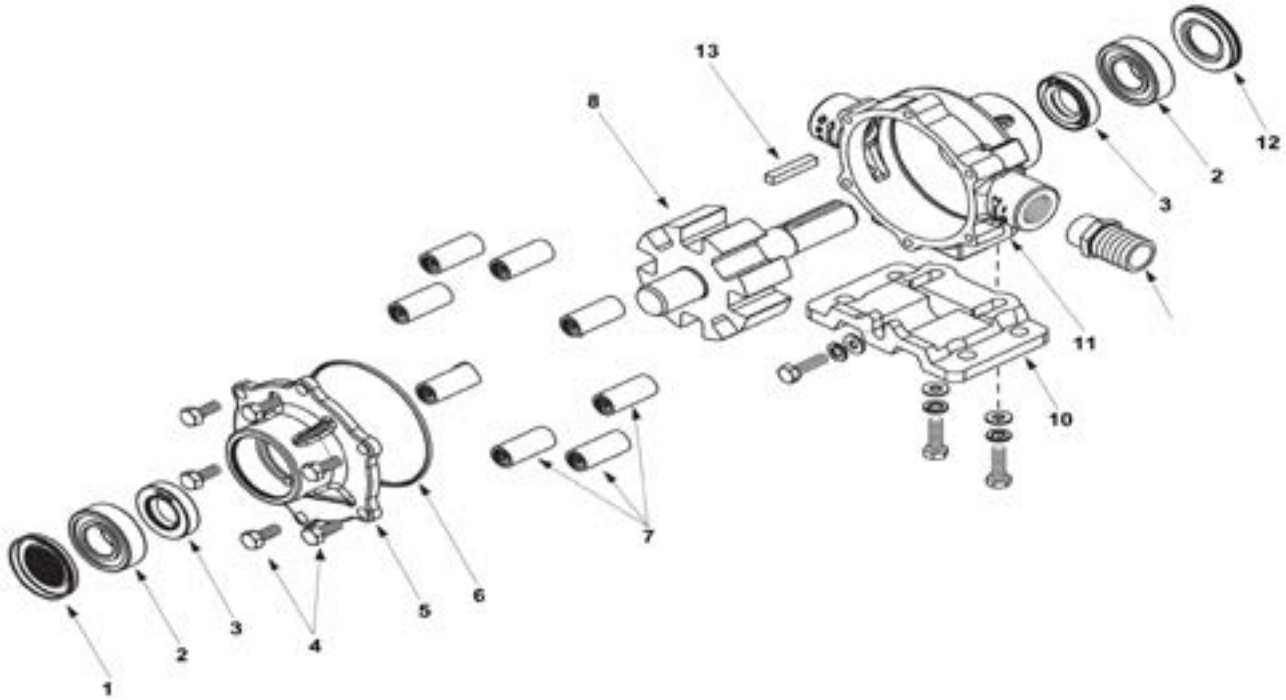
PART# 3430-0380 \$47.84 S

Ref #	Req'd	Part #	Description	Price
1	1	2300-0021	Bearing Cover	1.63 S
2	2	2000-0010	Sealed Ball Bearing	11.28 S
3	2	2107-0002	Viton Seal (Std)	11.63 S
4	4	2210-0004	Bolts	1.01 S
5	1	0200-6600C	Endplate (Cast Iron) w/Seal	66.30 S
5	1	0200-6600N	Endplate (Ni-Resist) w/Seal	188.24 S
6	1	1720-0008	O-ring Gasket for Endplate	1.68 S
7	6	1005-0004	Super Roller (Std)	4.08 S
8	1 kit	3420-0023	Base Kit: (1) Base, (2) Bolts, (2) Washers	39.78 S
9	1	0100-6600C	Body (Cast Iron) w/Seal	117.52 S
9	1	0100-6600N	Body (Ni-Resist) w/Seal	372.32 S
	1	BHB100	1" Hose Barb	1.89 S
10	1	2300-0023	Shaft Bearing Cover	1.71 S
11	1	0300-6600C	Rotor Assembly (Cast Iron)	130.00 S
11	1	3430-0767	Rotor Assembly (Ni-Resist)	214.24 S



HYPRO ROLLER PUMP REPAIR PARTS

7560 SERIES



REPAIR PARTS KIT

CONSISTS OF:

- (8) REF 7 SUPER ROLLERS
- (1) REF 6 O-RING
- (2) REF 3 VITON SEALS

PART# 3430-0381 \$68.38 S

REPAIR PARTS KIT

CONSISTS OF:

- (8) REF 7 POLYPROPYLENE ROLLERS
- (1) REF 6 O-RING
- (2) REF 3 VITON SEALS

PART# 3430-0167 \$64.48 S

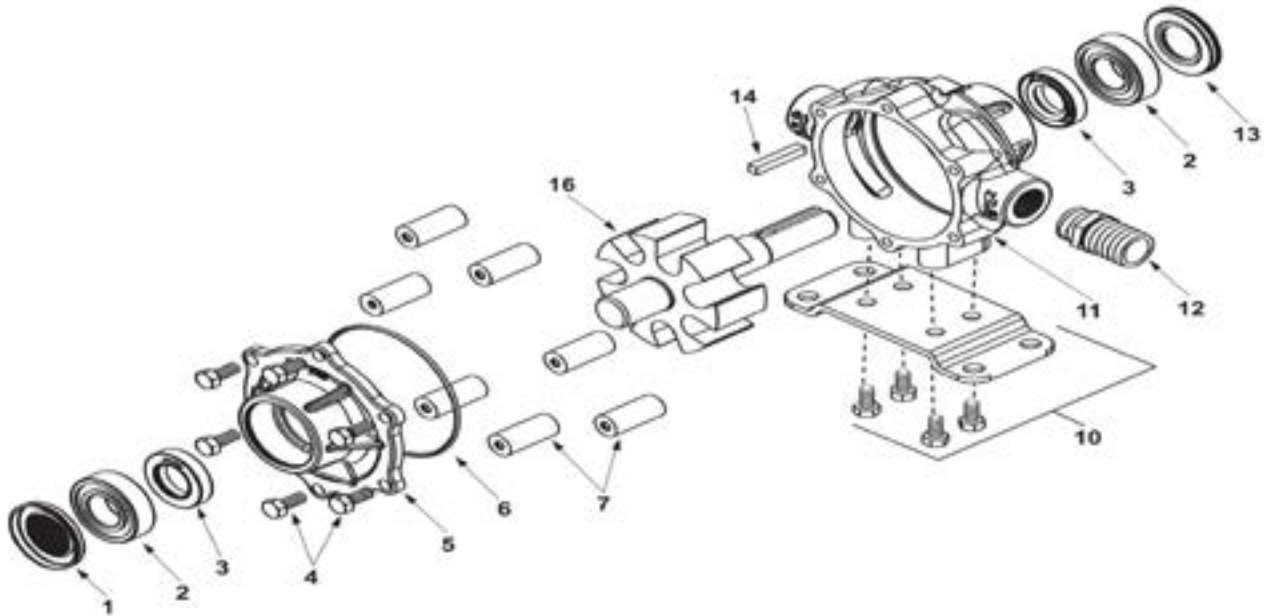
Ref #	Req'd	Part #	Description	Price
1	1	2300-0020	Bearing Cover	1.63 S
2	2	2008-0001	Sealed Ball Bearing	16.72 S
3	2	2112-0003	Viton Seal (Std)	18.43 S
4	6	2210-0004	Bolt	1.01 S
5	1	0204-7500C	Endplate (Cast Iron) with Seal	87.36 S
5	1	0204-7500N	Endplate (Ni-Resist) with Seal	231.92 S
6	1	1720-0014	O-ring Gasket for Endplate	2.48 S
7	8	1005-0004	Super Roller (Std)	4.08 S
8	1	3430-0745	Roto Assembly (Std, N & XL)	241.28 S
10	1 kit	3420-0003	Base Kit-Includes: (1) Base, (3) Bolts, (3) Washers	62.40 S
11	1	0104-7500C	Body (Cast Iron) with Seal	144.56 S
11	1	0104-7500N	Body (NiResist) with Seal	453.44 S
12	1	2300-0022	Shaft Bearing Cover	1.63 S
13	1	1610-0005	Key	1.80 S
13	1	1610-0059	Key (Stainless Steel)	4.99 S



HYPRO ROLLER PUMP REPAIR PARTS



7700 SERIES



REPAIR PARTS KIT
CONSISTS OF:
 (8) REF 7 SUPER ROLLERS
 (1) REF 6 O-RING
 (2) REF 3 VITON SEALS
PART# 3430-0384 \$64.22 S

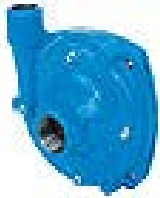
REPAIR PARTS KIT
CONSISTS OF:
 (8) REF 7 POLYPROPYLENE ROLLERS
 (1) REF 6 O-RING
 (2) REF 3 VITON SEALS
PART# 3430-0167 \$64.48 S

Ref #	Req'd	Part #	Description	Price
1	1	2300-0020	Bearing Cover	1.63 S
2	2	2008-0001	Sealed Ball Bearing	16.72 S
3	2	2112-0003	Viton Seal (std)	18.43 S
4	6	2210-0004	Bolts	1.01 S
5	1	0200-7700C	Endplate (Cast Iron) with Seal	87.88 S
5	1	0200-7700N	Endplate (Ni-Resist) with Seal	241.28 S
6	1	1720-0014	O-ring Gasket for Endplate	2.48 S
7	7	1005-0004	Super Roller (Std)	4.08 S
10	1	3420-0010	Base Kit Includes: (1) Base, (4) Bolts	62.92 S
11	1	0100-7700C	Body (Cast Iron) with Seal	160.16 S
11	1	0100-7700N	Body (Ni-Resist) with Seal	491.92 S
12	1	BHB100	Shaft Bearing Cover	1.89 S
13	1	2300-0022	Shaft Bearing Cover	1.63 S
14	1	1610-0005	Key	1.80 S
16	1	0300-7700C	Rotor Assembly (Cast Iron)	191.36 S
16	1	0300-7700N	Rotor Assembly (Ni-Resist)	425.36 S

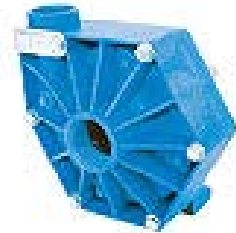


HYPRO SERIES 9200 PEDESTAL PUMPS

**HYPRO PEDESTAL PUMPS OFFER
INSTALLATION VERSATILITY. THE PEDESTAL
MOUNTING BASE CAN BE USED FOR DIRECT
DRIVE OR BELT AND PULLEY DRIVE WITH
GAS OR ELECTRIC MOTORS ALSO AVAILABLE
WITH ELECTRIC CLUTCH**



9202C



9203C

**HYPRO CAST IRON PEDESTAL PUMP OUTLET CAN
BE ROTATED TO FOUR DIFFERENT POSITIONS. CAST
IRON MODELS ARE EPOXY COATED WITH SOLID
STAINLESS STEEL SHAFTS, FACTORY LUBRICATED
BEARINGS AND NYLON IMPELLERS.**

**HYPRO POLYPROPYLENE
PEDESTAL PUMPS ARE
MANUFACTURED FROM GLASS-FILLED
POLYPROPYLENE WITH SOLID STAINLESS
STEEL SHAFTS AND VITON SEALS STANDARD.**

PART NUMBER	MAX GPM	MAX PSI	MAX RPM	CAST IRON & POLY PEDESTAL PUMP DESCRIPTION	PRICE
9202C	105	170	6000	Pedestal mount, cast iron pump with 5/8" solid shaft and Viton shaft seal. 1-1/4" inlet, 1" outlet NPT ports.	590.72 S
9203C	140	170	6000	Pedestal mount, cast iron pump with 5/8" solid shaft and Viton shaft seal. 1-1/2" inlet, 1-1/4" outlet NPT ports.	598.00 S
9203C-R	140	170	6000	Pedestal mount, clockwise rotation cast iron pump with 5/8" solid shaft and Viton shaft seal. 1-1/2" inlet, 1-1/4" outlet NPT ports.	612.56 S
9205C	180	190	4200	Pedestal mount, cast iron pump with 7/8" solid keyed shaft and Viton shaft seal. 2" inlet, 1-1/2" outlet NPT ports.	1,499.68 S
9203P-S	100	80	4200	Pedestal mount, poly pump designed for direct drive or belt & pulley with an electric or gas motor, 7/8" solid keyed stainless shaft. 1-1/2"x1-1/4"	741.52 S
CAST IRON & POLY PEDESTAL PUMP WITH CLUTCH					
9262-C-C	88	124	5000	12v HD clutch with 5" diameter, counterclockwise rotation cast iron pump with A-section pulley. 1-1/4" inlet, 1" outlet NPT ports.	1,122.16 S
9263-C-C	140	124	5000	12v HD clutch with 5" diameter, counterclockwise rotation cast iron pump with A-section pulley. 1-1/2" inlet, 1-1/4" outlet NPT ports.	1,127.36 S
9263C-CR	140	124	5000	12v HD clutch with 5" diameter, clockwise rotation cast iron pump with A-section pulley. 1-1/2" inlet, 1-1/4" outlet NPT ports.	1,139.84 S
REPLACEMENT CLUTCHES					
2526-0011			5000	FITS: 9203P, 9253P-C, 9500P-S, 9205C, 9205C-SP	1,167.92 S

CAST AND POLY MODELS



HYPRO SERIES 9300 HYDRAULIC DRIVE PUMPS



9303C



9303P



9306C

PART NUMBER	MAX GPM	MAX PSI	HYDRAULIC DRIVE CAST IRON & POLY PUMPS DESCRIPTION	PRICE
9303C-HM1C	114	130	13 gpm hydraulic motor/CAST IRON pump for open/closed system NPT threaded ports, 1-1/2" inlet, 1-1/4" outlet	1,326.00 S
9303C-HM2C	97	95	6 gpm hydraulic motor/CAST IRON pump for open/closed system NPT threaded ports, 1-1/2" inlet, 1-1/4" outlet	1,326.00 S
9303C-HM3C	125	98	24 gpm hydraulic motor/CAST IRON pump for open/closed system NPT threaded ports, 1-1/2" inlet, 1-1/4" outlet	1,410.24 S
9303C-HM4C	115	93	7 gpm hydraulic motor/CAST IRON pump for open/closed system NPT threaded ports, 1-1/2" inlet, 1-1/4" outlet	1,326.00 S
9303C-HM5C	147	145	16 gpm hydraulic motor/CAST IRON pump for open/closed system NPT threaded ports, 1-1/2" inlet, 1-1/4" outlet	1,326.00 S
9303C-HM1C-U	114	130	13 gpm hydraulic motor/CAST IRON pump for open/closed system NPT threaded ports, 1-1/2" inlet, 1-1/4" outlet w/220 x 200 flanges	1,383.20 S
9303C-HM4C-U	115	93	7 gpm hydraulic motor/CAST IRON pump for open/closed system NPT threaded ports, 1-1/2" inlet, 1-1/4" outlet w/220 x 200 flanges	1,383.20 S
9303P-HM1C	110	130	13 gpm hydraulic motor/POLY pump for open/closed system NPT threaded ports, 1-1/2" inlet, 1-1/4" outlet	1,385.28 S
9303P-HM2C	82	95	6 gpm hydraulic motor/POLY pump for open/closed system NPT threaded ports, 1-1/2" inlet, 1-1/4" outlet	1,385.28 S
9303P-HM3C	110	93	24 gpm hydraulic motor/POLY pump for open/closed system NPT threaded ports, 1-1/2" inlet, 1-1/4" outlet	1,469.52 S
9303P-HM4C	82	84	7 gpm hydraulic motor/POLY pump for open/closed system NPT threaded ports, 1-1/2" inlet, 1-1/4" outlet	1,385.28 S
9303P-HM5C	113	120	16 gpm hydraulic motor/POLY pump for open/closed system NPT threaded ports, 1-1/2" inlet, 1-1/4" outlet	1,385.28 S
9306C-HM1C	207	127	13 gpm hydraulic motor/CAST IRON pump for open/closed system NPT threaded ports, 2" inlet, 1-1/2" outlet	1,538.16 S
9306C-HM5C	212	140	17 gpm hydraulic motor/CAST IRON pump for open/closed system NPT threaded ports, 2" inlet, 1-1/2" outlet	1,538.16 S
9306C-HM5C-BU	212	140	17 gpm hydraulic motor/CAST IRON pump for open/closed system NPT threaded ports, 2" inlet, 1-1/2" outlet (silicon carbide seal)	1,725.36 S
9306C-HM1C-U	207	127	13 gpm hydraulic motor/CAST IRON pump for open/closed system ports 220 x 220 flange	1,594.32 S

HYPRO DIAPHRAGM PUMPS

HYPRO LOW PRESSURE DIAPHRAGM PUMPS ARE AN EXCELLENT CHOICE FOR A POSITIVE DISPLACEMENT PUMP. AVAILABLE IN A WIDE RANGE FOR GROUND RIGS WHEN SPRAYING HERBICIDES, PESTICIDES AND LIQUID FERTILIZERS. PUMPS LISTED ARE LOW PRESSURE PUMPS. MEDIUM AND HIGH PRESSURE PUMPS ARE ALSO AVAILABLE CALL FOR PRICING.



9910-D115 LOW PRESSURE PUMP

PART NUMBER	MAX GPM	MAX PSI	MAX RPM	HYPRO LOW-PRESSURE DIAPHRAGM PUMPS DESCRIPTION	PRICE
9910-D70	19	290	550	2-DIAPHRAGM PUMP 1-1/4" HB INLET, 3/4" HB OUTLET. SELECT SHAFT KIT FOR DESIRED DRIVE.	1,272.33 S
9910-D115	30.1	290	550	3-DIAPHRAGM PUMP 1-1/2" HB INLET, 1" HB OUTLET. SELECT SHAFT KIT FOR DESIRED DRIVE.	1,910.51 S
9910-D135	34.8	290	550	3-DIAPHRAGM PUMP 1-1/2" HB INLET, 1" HB OUTLET. 1-3/8" X 6 SPLINE MALE SHAFT	2,059.25 S
9910-D160	42.5	290	550	4-DIAPHRAGM PUMP 2" HB INLET, 1-1/2" HB OUTLET. 1-3/8" X 6 SPLINE MALE SHAFT	3,384.84 S
9910-D250	66	290	550	6-DIAPHRAGM PUMP 2" HB INLET, 1-1/2" HB OUTLET. 1-3/8" X 6 SPLINE MALE SHAFT	4,264.22 S

6 SPLINE AND SOLID SHAFT KITS

1-3/8" 6 SPLINE FEMALE PTO SHAFT KIT		
KIT NUMBER	FITS PUMP MODEL	PRICE
9910-KIT1708	9910-D70 & 9910-D115	296.48 S
KIT INCLUDES FEMALE PTO COUPLER AND RETAINING CLAMP, TORQUE ARM & MTG BRACKET, CHAINS AND NECESSARY HARDWARE		

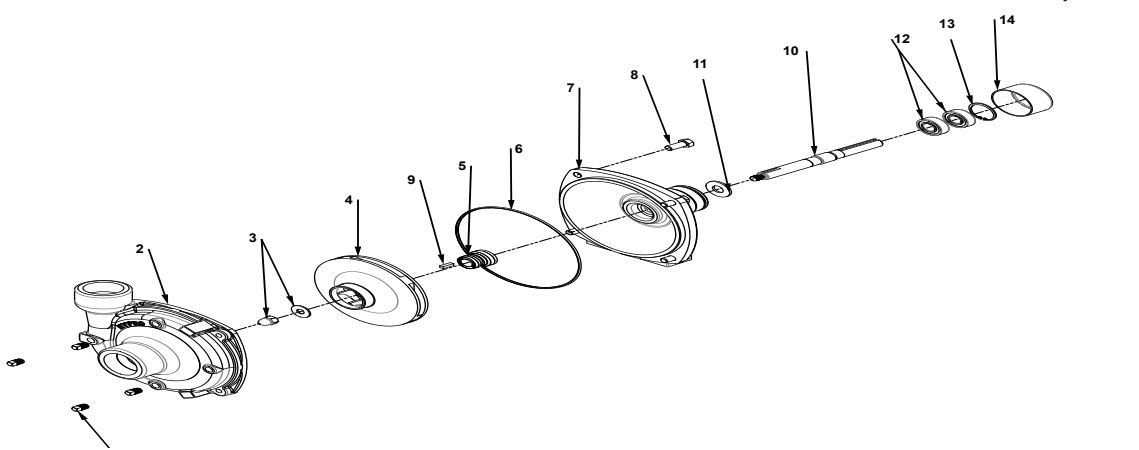
1-3/8" 6 SPLINE MALE PTO SHAFT KIT		
KIT NUMBER	FITS PUMP MODEL	PRICE
9910-KIT1710	9910-D70 & 9910-D115	343.71 S
KIT INCLUDES MALE PTO SHAFT ADAPTER, MTG BRACKET, AND NECESSARY HARDWARE		

1" MALE SOLID SHAFT KIT		
KIT NUMBER	FITS PUMP MODEL	PRICE
9910-KIT1711	9910-D70 & 9910-D115	342.71 S
KIT INCLUDES MALE PTO SHAFT ADAPTER, MTG BRACKET, AND NECESSARY HARDWARE		

HYPRO CAST IRON PEDESTAL PUMP REPAIR PARTS

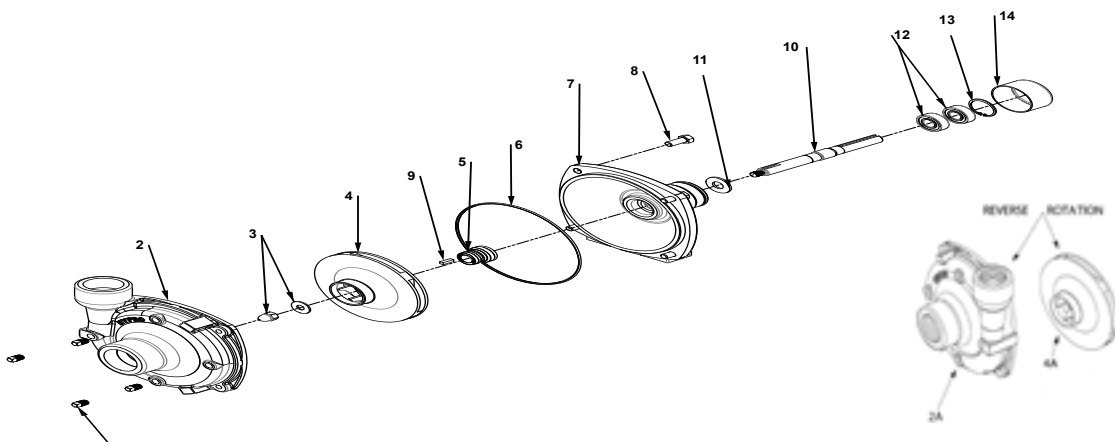


9202C, 9203C, 9252C, 9253C



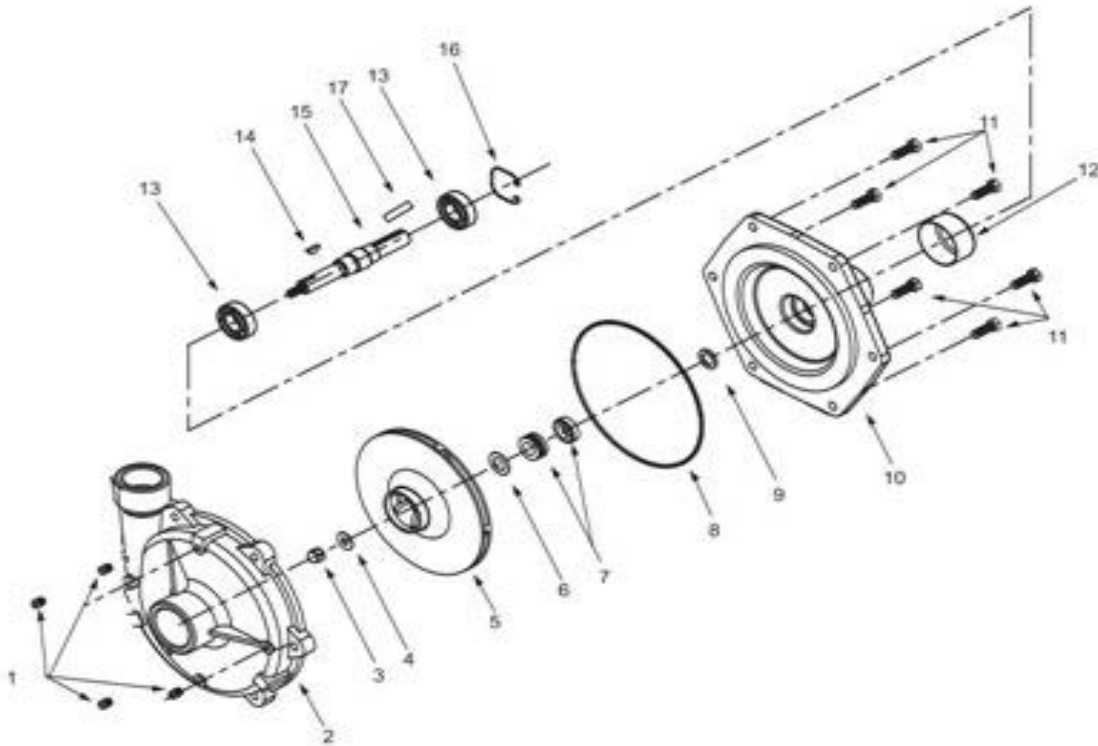
Ref	Qty	Part #	Description	Price
1	4	2406-0007	Drain Plug	N/A
2	1	0150-9200C	Pump Casting	276.64 S
2A	1	0152-9000C	Pump Casting REVERSE	236.08 S
3	1	3430-0825	Impeller Nut/Washer	30.63 S
4	1	0402-9100P	Impeller	57.98 S
4A	1	0404-9100P	Impeller (Nyglass) REVERSE	78.52 S
5	1	3430-0332	Mechanical Seal	62.14 S
6	1	1720-0083	O-ring	3.72 S
7	1	0750-9200C3	Mounting Flange	188.24 S
8	4	2210-0020	Bolt	1.01 S
9	1	1610-0015	Key	1.93 S
10	1	3430-0844	Shaft	145.60 S
11	1	1410-0056	Slinger Ring	1.37 S
12	2	2000-0010	Ball Bearing	11.28 S
13	1	1820-0013	Bearing Retainer	1.31 S
14	1	2300-0025	Protective Cover	N/A

9203C-R & 9253C-R



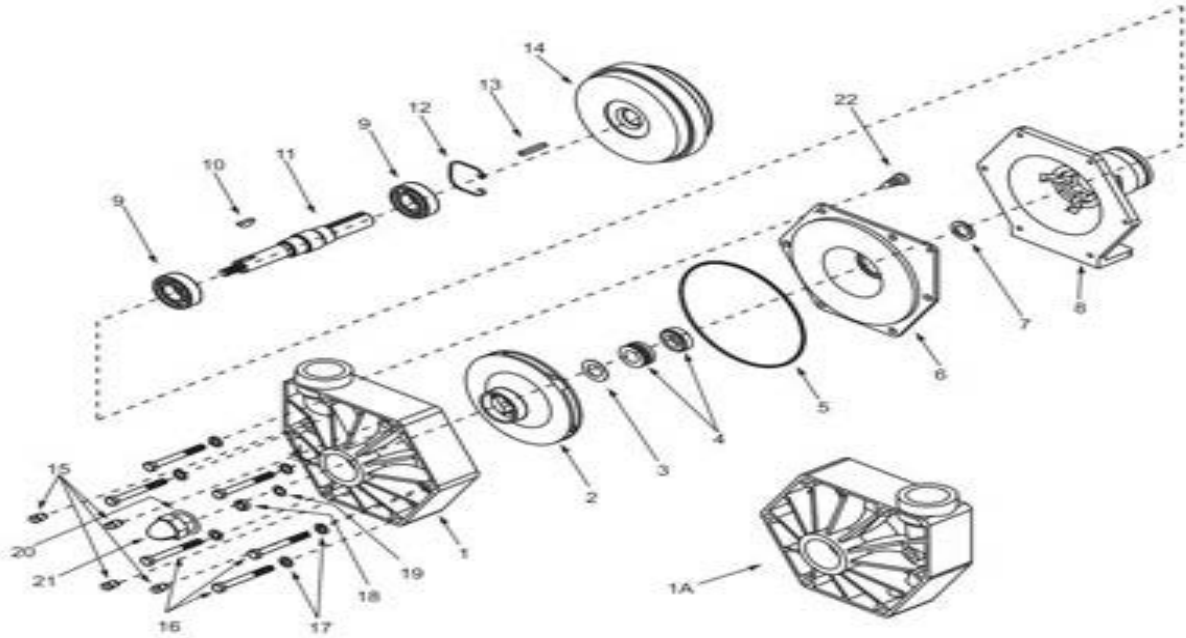
HYPRO CAST IRON PEDESTAL PUMP REPAIR PARTS

9205C



Ref	Qty	Part #	Description	Price
1	4	2406-0007	Drain Plug	N/A
2	1	0152-9200C	Pump Casing	486.72 S
3	1	2253-0002	Impeller Nut	6.06 S
4	1	2270-0071	Washer	1.31 S
5	1	0403-9200P	Impeller (Nylon)	320.32 S
6	1	1700-0101	Gasket	6.13 S
7	1	3430-0537	Mechanical Seal	57.20 S
8	1	1720-0180	O-ring	5.10 S
9	1	1410-0083	Slinger Ring	2.10 S
10	1	0751-9200C	Mounting Flange	456.56 S
11	6	2210-0086	Bolt	1.35 S
12	1	2300-0035	Protective Cover	N/A
13	2	2008-0001	Bearing	16.72 S
14	1	1610-0012	Key	1.37 S
15	1	3430-0846	Pmump Shaft	320.32 S
16	1	1820-0025	Bearing Retainer	4.23 S

HYPRO POLY PEDESTAL PUMP REPAIR PARTS



Ref	Qty	Part #	Description	Price
1	1	0700-9000P	Pump Casing (9203P-S, 9253P-C)	52.78 S
1A	1	0701-9500P	Pump Casing (9500P-S, 9553P-C)	54.34 S
2	1	0403-9000P	Impeller (Poly) 9203P-S, 9253P-C	64.74 S
2A	1	0402-9000P	Impeller (Poly) 9500P-S, 9553P-C	82.68 S
3	1	1700-0101	Gasket	6.13 S
4	1	3430-0333	Mechanical Seal	79.56 S
5	1	1721-0083	O-ring	17.75 S
6	1	0750-9000P	Back Cover (9203P-S, 9253P-C)	23.18 S
6A	1	0700-9500P	Back Cover (9500P-C, 9553P-C)	22.61 S
7	1	1410-0083	Slinger Ring	2.10 S
8	1	0702-9200C	Flange	269.36 S
9	2	2008-0001	Bearing	16.72 S
11	1	3430-0846	Shaft (316 Stainless Steel) Revd	320.32 S
12	1	1820-0025	Retaining Ring	4.23 S
13	1	1610-0004	Key	1.86 S
14	1	2526-0011	Clutch	1,167.92 S
15	4	2406-0016	Plug	9.11 S
16	6	2210-0087	Hex Head Bolt	1.31 S
17	6	2270-0041	Washer	1.14 S
18	1	2250-0051	Jam Nut	2.23 S
19	1	2270-0057	Washer	2.41 S
20	1	1700-0097	Gasket	8.12 S
21	1	2250-0052	Impeller Nut	1.73 S
22	1	2210-0088	Screw	1.14 S

9203P-S

9253P-C (Discontinued)

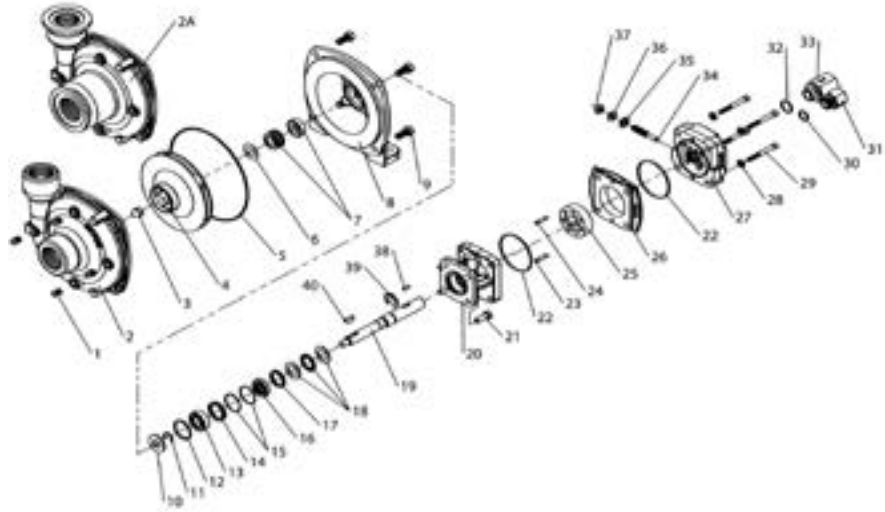
9500P-S

9553P-C (Discontinued)



HYPRO HYDRAULIC PUMP REPAIR PARTS CAST IRON

9303C-HM1C
9303C-HM2C
9303C-HM3C
9303C-HM4C
9303C-HM5C



HYDRAULIC MOTOR PART #'S		
PART#	MOTOR	PRICE
2500-0081C	HM1	1,064.96 S
2500-0082C	HM2	1,064.96 S
2500-0083C	HM3	1,246.96 S
2500-0084C	HM4	1,064.96 S
2500-0085C	HM5	1,064.96 S

Ref	Qty	Part #	Description	Price
1	4	2406-0007	Drain/Vent Plug	N/A
2	1	0150-9000C	Pump Casing	250.64 S
2A	1	0153-9000C	Pump Casing (Universal Flange Model C-U)	258.96 S
3	1	3430-0825	Impeller Nut	30.63 S
4	1	0402-9100P	Impeller	57.98 S
5	1	1720-0083	O-ring	3.72 S
6	1	1700-0100	Rubber Gasket	5.16 S
8	1	0750-9300C	Mounting Flange	144.56 S
9	4	2210-0020	Hex Head Cap Screw	1.01 S
10	1	1410-0056	Slinger Ring	1.37 S
11	1	1810-0014	Snap Ring	1.14 S
12	1	1820-0013	Retainer Ring	1.31 S
13	1	2000-0010	Ball Bearing	11.28 S
14	1	1410-0131	Cartridge, Front	12.59 S
15	2	1720-0268	O-ring	1.47 S
16	1	3430-0748	Lip Seal	95.42 S
17	1	1410-0130	Seal Spacer	6.87 S
18	1	2029-0014	Thrust Bearing Assembly	32.76 S
19	1	3430-0850	Shaft (HM2C & HM4C)	257.92 S
19	1	3430-0852	Shaft (HM1C & HM5C)	187.20 S
19	1	3430-0855	Shaft (HM3C)	332.80 S
20	1	0150-2500C	Motor Body (Includes Needle Bearing)	158.08 S
21	4	2210-0005	Hex Head Cap Screw	0.87 S
22	2	1720-0110	O-ring	1.31 S
23	1	1600-0045	Dowel Pin (HM2C/HM4C)	15.45 S
23	1	1600-0044	Dowel Pin (HM1C/HM5C)	19.46 S
23	1	1600-0052	Dowel Pin (HM3C)	27.76 S
24	1	1600-0042	Dowel Pin (HM2C/HM4C)	15.45 S
24	1	1600-0037	Dowel Pin (HM1C/HM5C)	19.46 S
24	1	1600-0068	Dowel Pin (HM3C)	12.59 S

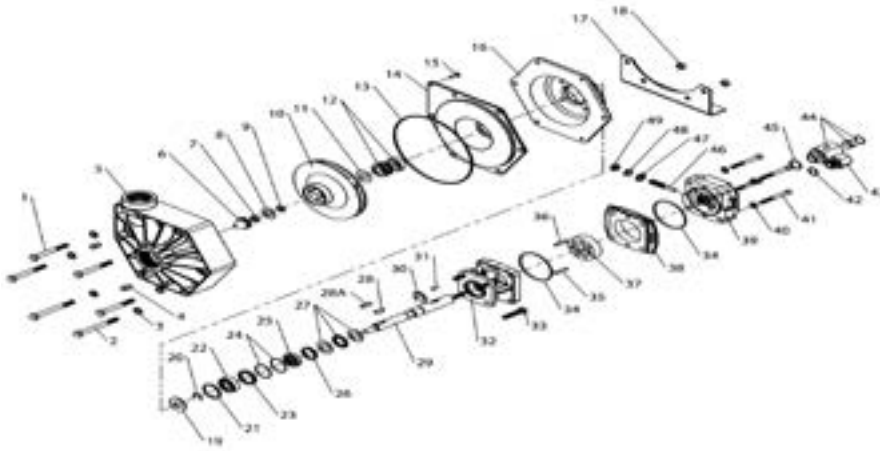
Ref	Qty	Part #	Description	Price
25	1	3900-0022	Gerotor (HM1C)	201.76 S
25	1	3900-0023	Gerotor (HM2C)	183.04 S
25	1	3900-0024	Gerotor (HM3C)	255.84 S
25	1	3900-0025	Gerotor (HM4C)	199.64 S
25	1	3900-0048	Gerotor (HM5C)	204.88 S
26	1	0701-2500C1	Gerotor Housing (HM2C) 1/4" Wide	190.32 S
26	1	0700-2500C1	Gerotor Housing (HM1C) 1/2" Wide	130.00 S
26	1	0703-2500C1	Gerotor Housing (HM4C) 5/16" Wide	124.80 S
26	1	0702-2500C1	Gerotor Housing (HM3C) 1" Wide	200.72 S
26	1	0704-2500C1	Gerotor Housing (HM5C) 5/8" Wide	159.12 S
27	1	0254-2500C2	Motor Endplate (Includes Needle Bearing)	150.80 S
28	4	2270-0039	Washer	1.09 S
29	4	2220-0045	Cap Screw (HM2C & HM4C)	1.56 S
29	4	2220-0021	Cap Screw (HM1C)	1.97 S
29	4	2220-0044	Cap Screw (HM3C)	3.38 S
29	4	2220-0032	Cap Screw (HM5C)	4.58 S
30	1	1720-0108	O-ring	1.14 S
31	1	3360-0021A	Pressure Port Adapter (includes o-ring)	24.03 S
33	1	3320-0051A	Tank Port Adapter (includes o-ring)	45.24 S
34	1	3220-0029	Bypass Adjusting Screw	9.33 S
35	1	1700-0047	Gasket	4.47 S
36	1	2270-0027	Washer	1.93 S
37	1	2250-0038	Lock Nut	1.09 S
38	1	1610-0032	Roll Pin (HM2C & HM4C)	8.36 S
38	1	1610-0031	Roll Pin (HM1C & HM5C)	4.74 S
38	1	1610-0055	Roll Pin (HM3C)	28.61 S
39	1	1810-0026	Snap Ring	1.15 S
40	1	1610-0012	Woodruff Key (9303C)	1.37 S



HYPRO HYDRAULIC PUMP REPAIR PARTS POLY



**9303P-HM1C
9303P-HM2C
9303P-HM3C
9303P-HM4C
9303P-HM5C**



HYDRAULIC MOTOR PART #'S		
PART#	MOTOR	PRICE
2500-0081C	HM1	1,064.96 S
2500-0082C	HM2	1,064.96 S
2500-0083C	HM3	1,246.96 S
2500-0084C	HM4	1,064.96 S
2500-0085C	HM5	1,064.96 S

Ref	Qty	Part #	Description	Price
1	4	2210-0087	Hex Head Cap Screw	1.31 S
2	2	2210-0016	Hex Head Cap Screw (Base only)	1.35 S
3	6	2270-0041	Washer	1.14 S
5	1	0700-9000P	Pump Casing	52.78 S
6	1	2250-0052	Impeller Nut	1.73 S
7	1	2250-0051	Jam Nut	2.23 S
8	1	1700-0097	Gasket (viton)	8.12 S
9	1	2270-0057	Washer	2.41 S
10	1	0402-9100P	Impeller	57.98 S
11	1	1700-0100	Rubber Gasket	5.16 S
13	1	1721-0083	O-ring	17.75 S
14	1	0750-9300P	Cover	23.47 S
15	1	2210-0088	Screw	1.14 S
16	1	0750-9006C	Intermediate Flange	227.76 S
17	1	1510-0063	Base Plate	39.00 S
18	2	2250-0008	Hex Nut	1.75 S
19	1	1410-0056	Slinger Ring	1.37 S
20	1	1810-0014	Snap Ring	1.14 S
21	1	1820-0013	Retaining Ring	1.31 S
22	1	2000-0010	Ball Bearing	11.28 S
23	1	1410-0131	Cartridge, Front	12.59 S
24	2	1720-0268	O-ring	1.47 S
26	1	1410-0130	Seal Spacer	6.87 S
27	1	2029-0014	Thrust Bearing Assembly	32.76 S
28A	1	1610-0053	Square Key (only HM3C)	1.93 S
29	1	3430-0850	Shaft (HM2C/HM4C)	257.92 S
29	1	3430-0852	Shaft (HM1C/HM5C)	187.20 S
29	1	3430-0855	Shaft (HM3C)	332.80 S
30	1	1810-0026	Snap Ring	1.15 S
31	1	1610-0032	Roll Pin (HM2C/HM4C)	8.36 S

Ref	Qty	Part #	Description	Price
31	1	1610-0031	Roll Pin (HM1C/HM5C)	4.74 S
31	1	1610-0055	Roll Pin (HM3C)	28.61 S
32	1	0150-2500C	Motor Body (includes needle bearing)	158.08 S
33	4	2210-0021	Hex Head Cap Screw	1.03 S
34	2	1720-0110	O-ring	1.31 S
35	1	1600-0045	Dowel Pin (HM2C/HM4C)	15.45 S
35	1	1600-0044	Dowel Pin (HM1C/HM5C)	19.46 S
35	1	1600-0052	Dowel Pin (HM3C)	27.76 S
36	1	1600-0068	Dowel Pin (HM3C)	12.59 S
36	1	1600-0042	Dowel Pin (HM2C/HM4C)	15.45 S
36	1	1600-0037	Dowel Pin (HM1C/HM5C)	19.46 S
37	1	3900-0022	Gerotor (HM1C)	201.76 S
37	1	3900-0023	Gerotor (HM2C)	183.04 S
37	1	3900-0024	Gerotor (HM3C)	255.84 S
37	1	3900-0025	Gerotor (HM4C)	198.64 S
37	1	3900-0048	Gerotor (HM5C)	204.88 S
38	1	0701-2500C1	Gerotor Housing (HM2C) 1/4" Wide	190.32 S
38	1	0700-2500C1	Gerotor Housing (HM1C) 1/2" Wide	130.00 S
38	1	0703-2500C1	Gerotor Housing (HM4C) 5/16" Wide	124.80 S
38	1	0702-2500C1	Gerotor Housing (HM3C) 1" Wide	200.72 S
38	1	0704-2500C1	Gerotor Housing (HM5C) 5/8" Wide	159.12 S
39	1	0254-2500C2	Motor End Plate (includes needle bearing)	150.80 S
40	4	2270-0039	Washer	1.09 S
41	4	2220-0032	Cap Screw (HM5C)	4.58 S
41	4	2220-0045	Cap Screw (HM2C/HM4C)	1.56 S
41	4	2220-0021	Cap Screw (HM1C)	1.97 S
41	4	2220-0044	Cap Screw (HM3C)	3.38 S
42	1	1720-0108	O-ring	1.14 S
43	1	3360-0021A	Pressure Port Adapter (includes o-ring)	24.03 S
44	1	3320-0051A	Tank Port Adapter (includes o-ring)	45.24 S
46	1	3220-0029	Bypass Adjusting Screw	9.33 S
47	1	1700-0047	Gasket	4.47 S
48	1	2270-0027	Washer	1.93 S
49	1	2250-0038	Lock Nut	1.09 S



9306C, 9306S, 93076, 93079, 93100

John Deere

AN206042 = 9306C-HM5C-B
 AN206253 = 9306C-HM5C
 PM9306SHM5C = 9306S-HM5C

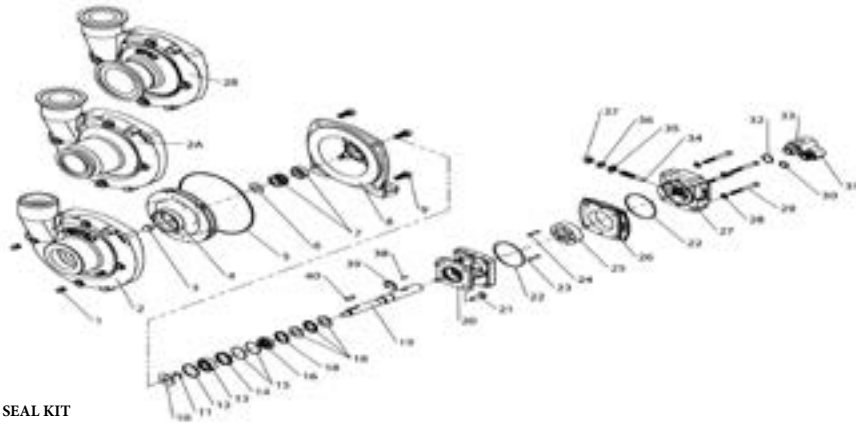
Rogator RG900, RG1100, RG1300
 9306C-HM5C3U

Versatile

SX240, SX280 = 9306C-HM5C3U

HAGIE

691249 = 9306C-HM5C-BU



SILICON CARBIDE SEAL KIT

CONSISTS OF:
 (1) REF 7 MECHANICAL SEAL
 (1) REF 5 O-RING
PART# 3430-0589 \$241.28 S

HYDRAULIC MOTOR PART

2500-0081C (HM1C Models) \$1,064.96 S
 2500-0083C (HM3C Models) \$1,246.96 S
 2500-0085C (HM5C Models) \$1,064.96 S

REPAIR PARTS KIT

CONSISTS OF:
 (1) REF 13 BALL BEARING
 (1) REF 16 MOTOR SHAFT SEAL
 (1) REF 35 THREADED SEAL GASKET
 (2) REF 15 CARTRIDGE O-RING
 (1) REF 36 WASHER
 (2) REF 22 MOTOR HOUSING O-RING
 (1) REF 30 & 32 PORT ADAPTER O-RINGS
PART# 3430-0748 \$95.42 S

REPAIR PARTS KIT

CONSISTS OF:
 (1) REF 7 MECHANICAL SEAL
 (1) REF 5 O-RING
 (1) REF 6 RUBBER GASKET
PART# 3430-0332 \$62.14 S

Ref #	Req'd	Part #	Description	Price
1	4	2406-0007	Drain/Vent Plug (9306C)	N/A
1	4	2406-0016	Drain/Vent Plug (9306S)	9.11 S
2	1	0154-9200C1	Pump Casing (9306C) Cast	370.24 S
2	1	0154-9200S1	Pump Casing (9306S) Stainless Steel	789.36 S
2A	1	0157-9200C	Pump Casing (Universal Flange 220x220)	220.48 S
2B	1	0158-9200C	Pump Casing (Universal Flange 300x220 Cast)	459.68 S
2B	1	0158-9200S	Pump Casing (Universal Flange 300x220 S.S.)	995.28 S
3	1	2253-0002	Impeller Nut (9306C, 93079)	6.06 S
3	1	2253-0006	Impeller Nut (9306S)	N/A
4	1	0401-9200P2	Impeller (Nylon Std. 9306C, 63079, 93100)	111.28 S
4	1	0405-9100P2	Impeller (Poly Optional) (Std. 9306S)	N/A
4	1	0407-9306P	Impeller (GXT Optional)	170.56 S
5	1	1720-0083	O-ring	3.72 S
6	1	1700-0100	Gasket, not used with Silicon Carbide Seal	5.16 S
7	1	2120-0009	Mechanical Seal (Viton/Ceramic) (Std. 9306C)	N/A
7	1	3430-0589	Mechanical Seal (Silicon Carbide) (Std. 9306S, 93079)	241.28 S
			Sames as John Deere AN206043	
8	1	0750-9300C2	Mounting Flange (9306C, 93079) Cast	127.92 S
8	1	0756-9300S	Mounting Flange (9306S) Stainless Steel	854.88 S
9	4	2210-0020	Hex Head Cap Screw (9306C)	1.01 S
9	4	2210-0125	Hex Head Cap Screw (9306S)	1.93 S
10	1	1410-0056	Slinger Ring	1.37 S
11	1	1810-0014	Snap Ring	1.14 S
12	1	1820-0013	Retaining Ring	1.31 S
13	1	2000-0010	Ball Bearing	11.28 S
14	1	1410-0131	Cartridge, Front	12.59 S
15	2	1720-0268	O-ring	1.47 S
16	1	2104-0010	Lip Seal	N/A
17	1	1410-0130	Seal Spacer	6.87 S
18	1	2029-0014	Thrust Bearing Assembly	32.76 S
19	1	3430-0850	Shaft (HM2C/HM4C) Prev 0531-2500	257.92 S
19	1	3430-0852	Shaft (HM1C/HM5C, 93079) Prev 0533-2500	187.20 S
19	1	3430-0855	Shaft (HM3C) Prev 0536-2500	332.80 S
20	1	0150-2500C	Motor Body (includes needle bearing)	158.08 S

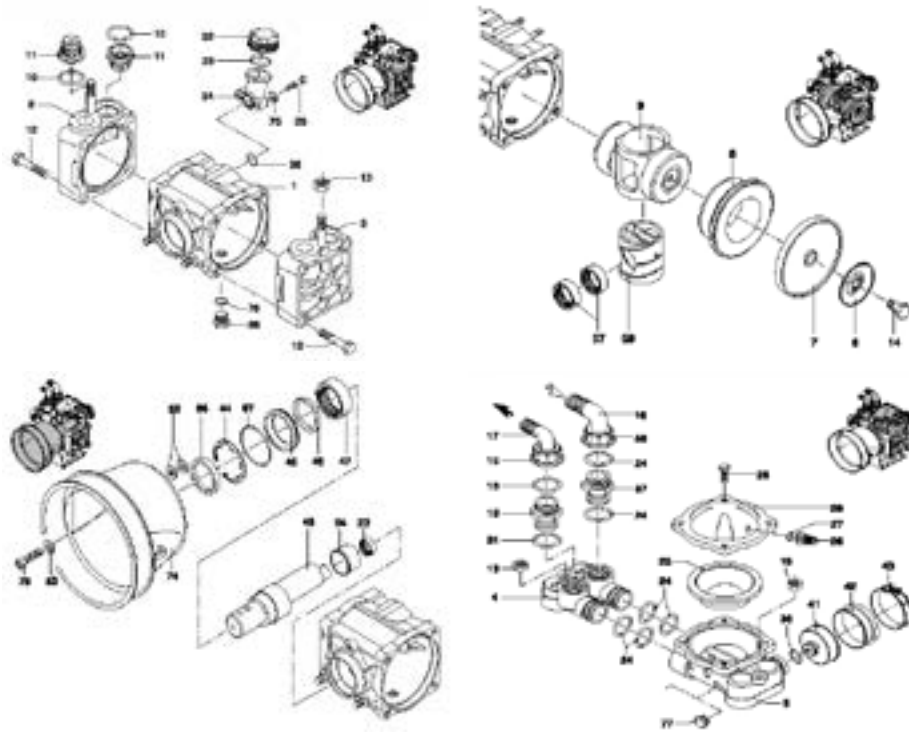
Ref #	Req'd	Part #	Description	Price
21	4	2210-0005	Hex Head Cap Screw	0.84 S
22	2	1720-0110	O-Ring	1.31 S
23	1	1600-0044	Dowel Pin (HM1C/HM5C, 93079)	19.46 S
23	1	1600-0052	Dowel Pin (HM3C)	27.76 S
24	1	1600-0037	Dowel Pin (HM1C/HM5C, 93079)	19.46 S
24	1	1600-0068	Dowel Pin (HM3C)	12.59 S
25	1	3900-0022	Gerator (HM1C, 93079)	201.76 S
25	1	3900-0024	Gerator (HM3C)	255.84 S
25	1	3900-0048	Gerator (HM5C)	204.88 S
26	1	0700-2500C1	Gerator Housing (HM1C Models, 93079) 1/2" wide	130.00 S
26	1	0702-2500C1	Gerator Housing (HM3C Models) 1" wide	200.72 S
26	1	0704-2500C1	Gerator Housing (HM5C Models, 93076) 5/8" wide	159.12 S
27	1	0254-2500C2	Motor End Plate (includes needle bearing)	150.80 S
28	4	2270-0039	Washer	1.09 S
29	4	2220-0045	Cap Screw (HM2C/HM4C Models)	1.56 S
29	4	2220-0021	Cap Screw (HM1C Models, 93079)	1.97 S
29	4	2220-0044	Cap Screw (HM3C Models)	3.38 S
29	4	2220-0032	Cap Screw (hm5C Models)	4.58 S
30	1	1720-0108	O-Ring	1.14 S
31	1	3360-0021A	Pressure Port Adapter (includes O-ring)	24.03 S
32	1	1720-0262	O-Ring	N/A
33	1	3320-0051A	Tank Port Adapter (includes O-ring)	45.24 S
34	1	3220-0029	Bypass Adjusting Screw	9.33 S
35	1	1700-0047	Gasket	4.47 S
36	1	2270-0027	Wahser	1.93 S
37	1	2250-0038	Lock Nut	1.09 S
38	1	1610-0032	Roll Pin (HM2C/HM4C)	8.36 S
38	1	1610-0031	Roll Pin (HM1C/HM5C)	4.74 S
38	1	1610-0055	Roll Pin (HM3C)	28.61 S
39	1	1810-0026	Snap Ring	1.15 S
40	1	1610-0012	Woodruf Key (9306C)	1.37 S
40	1	04432	Woodruf Key (9306S)	N/A



HYPRO DIAPHRAGM PUMP REPAIR PARTS



9910-D70



Part #	Description	Price
9910-KIT1720	Diaphragm Kit Desmopan	132.66 S
9910-KIT2364	Valve Kit	209.04 S
9910-KIT2365	O-ring Kit	22.51 S



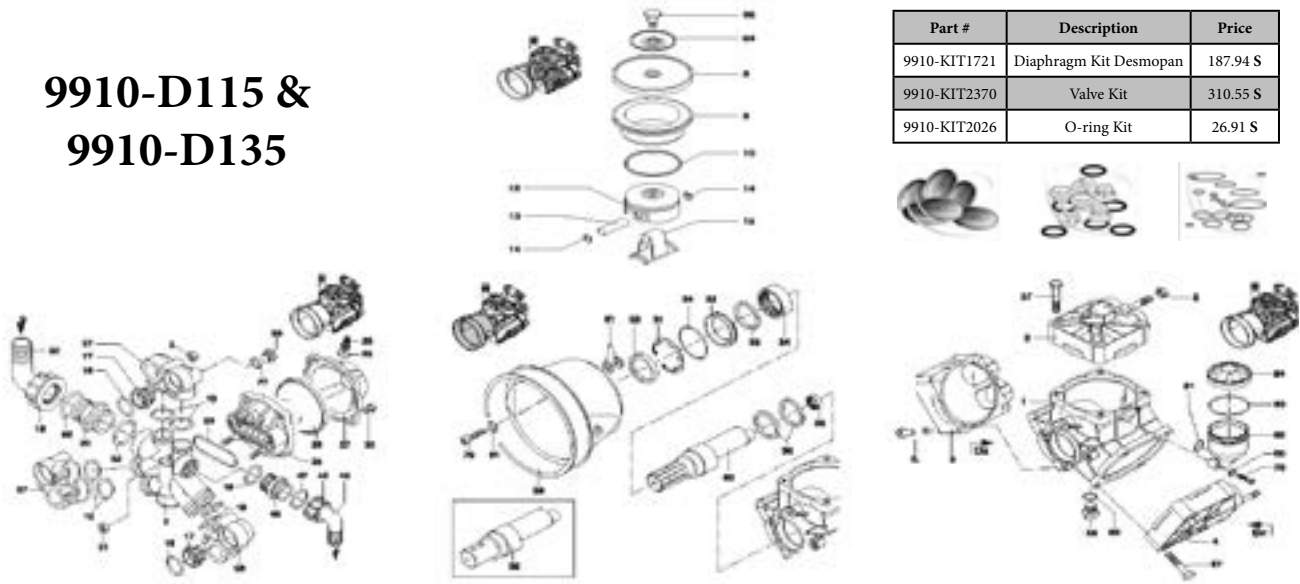
Ref	Qty	Part #	Description	Price
1	1	9910-550011	Pump Body with Bolts	265.32 S
2	1	9910-550101	Right Head DX	173.87 S
3	1	9910-550102	Left Head SX	167.84 S
4	1	9910-550150	Manifold	108.54 S
5	1	9910-559200	Accumulator Manifold	191.96 S
6	2	9910-580370	Plate	13.20 S
7	2	9910-550085	Diaphragm (Desmopan)	44.97 S
8	2	9910-550110	Sleeve	73.62 S
9	1	9910-550120	Piston	342.71 S
10	4	9910-320030	O-Ring	5.13 S
11	4	9910-759051	Complete Valve Assembly	51.00 S
12	8	9910-551040	Bolt	2.64 S
13	4	9910-180152	Nut	1.92 S
14	2	9910-580360	Diaphragm Bolt	16.30 S
15	1	9910-550880	Ring Nut	11.39 S
16	1	9910-580040	Elbow 1-1/4"	24.33 S
17	1	9910-550370	Elbow 1"	16.30 S
18	1	9910-550350	O-Ring	1.97 S
19	1	9910-550340	Threaded Adapter	9.63 S
23	1	9910-550310	Roller Bushing	48.74 S
24	7	9910-390290	O-Ring	2.59 S
25	1	9910-550190	Accumulator Diaphragm	28.72 S
26	1	9910-550300	Air Valve	16.05 S
27	1	9910-650542	Gasket	2.17 S
28	4	9910-550680	Bolt	4.14 S
29	1	9910-559204	Upper Air Chamber	86.93 S

Ref	Qty	Part #	Description	Price
32	1	9910-550057	Sight Glass Cap	11.91 S
33	1	9910-550040	O-Ring	2.17 S
34	1	9910-550030	Oil Sight Glass	19.67 S
35	2	9910-850851	Bolt	2.38 S
36	1	9910-180101	O-Ring	1.97 S
41	1	9910-650660	Diaphragm Holder	46.98 S
42	1	9910-650670	Diaphragm	16.82 S
43	1	9910-650690	Clamp	23.03 S
44	1	9910-200391	Retainer Ring	31.16 S
45	1	9910-550470	Seal Ring	59.04 S
46	1	9910-550070	Spacer Ring	22.26 S
47	1	9910-550060	Roller Bushing	76.38 S
48	1	9910-550170	Shaft	413.06 S
53	5	9910-320621	Washer	1.71 S
57	2	9910-550280	Bearing	63.32 S
58	1	9910-550140	Cylinder	122.61 S
64	1	9910-550160	Spacer	6.57 S
66	1	9910-550491	Seal Ring	34.42 S
67	1	9910-650920	O-Ring	3.21 S
68	1	2406-0023	Oil Drain Plug	10.16 S
74	1	9910-1500350	Shield	64.82 S
75	2	9910-550332	Washer	1.71 S
76	1	9910-740290	O-Ring	2.12 S
77	1	9910-330173	Plug	8.80 S
79	1	9910-620472	Bolt	2.95 S
87	1	9910-450120	Threaded Adapter	16.82 S
88	1	9910-550870	Ring Nut	17.09 S



HYPRO DIAPHRAGM PUMP REPAIR PARTS

9910-D115 & 9910-D135



Part #	Description	Price
9910-KIT1721	Diaphragm Kit Desmopan	187.94 S
9910-KIT2370	Valve Kit	310.55 S
9910-KIT2026	O-ring Kit	26.91 S

Ref	Qty	Part #	Description	Price
1	1	9910-580013	Pump Body with Bolts	352.76 S
2	1	9910-580150	Manifold	257.28 S
3	2	9910-550101	DX Right Head	173.87 S
4	1	9910-550102	SX Left Head	167.84 S
5	3	9910-180152	Nut	1.92 S
8	8	9910-550085	Diaphragm (Desmopan) Standard	44.97 S
9	3	9910-580110	Sleeve (D115)	108.54 S
9	3	9910-580350	Sleeve (D135)	88.69 S
10	3	9910-500260	Piston Ring	21.74 S
12	3	9910-580120	Piston	108.54 S
13	3	9910-380300	Pin	31.16 S
14	6	9910-380080	Pin Ring	2.12 S
15	3	9910-580140	Connecting Rod	111.56 S
16	6	9910-320030	O-Ring	5.13 S
17	6	9910-759051	Complete Valve	51.00 S
18	1	9910-540541	Ring Nut	15.01 S
19	7	9910-390291	O-Ring	2.53 S
20	1	9910-540530	Threaded Adapter	28.21 S
21	3	9910-390271	Nut	1.71 S
23	1	9910-580050	Gasket	12.94 S
25	1	9910-580180	Accumulator Manifold	187.94 S
26	1	9910-550190	Accumulator Diaphragm	28.72 S
27	1	9910-559204	Accumulator Head	86.93 S
28	1	9910-550300	Air Valve	16.05 S
29	1	9910-650542	O-Ring	2.17 S
30	4	9910-550680	Bolt	4.14 S
31	1	9910-200391	Retaining Ring	31.16 S
32	1	9910-550470	Gasket Retainer	59.04 S
33	1	9910-550070	Spacer Ring	22.26 S
34	1	9910-550060	Roller Bearing	76.38 S
35	1	9910-550170	Shaft (D115)	413.06 S

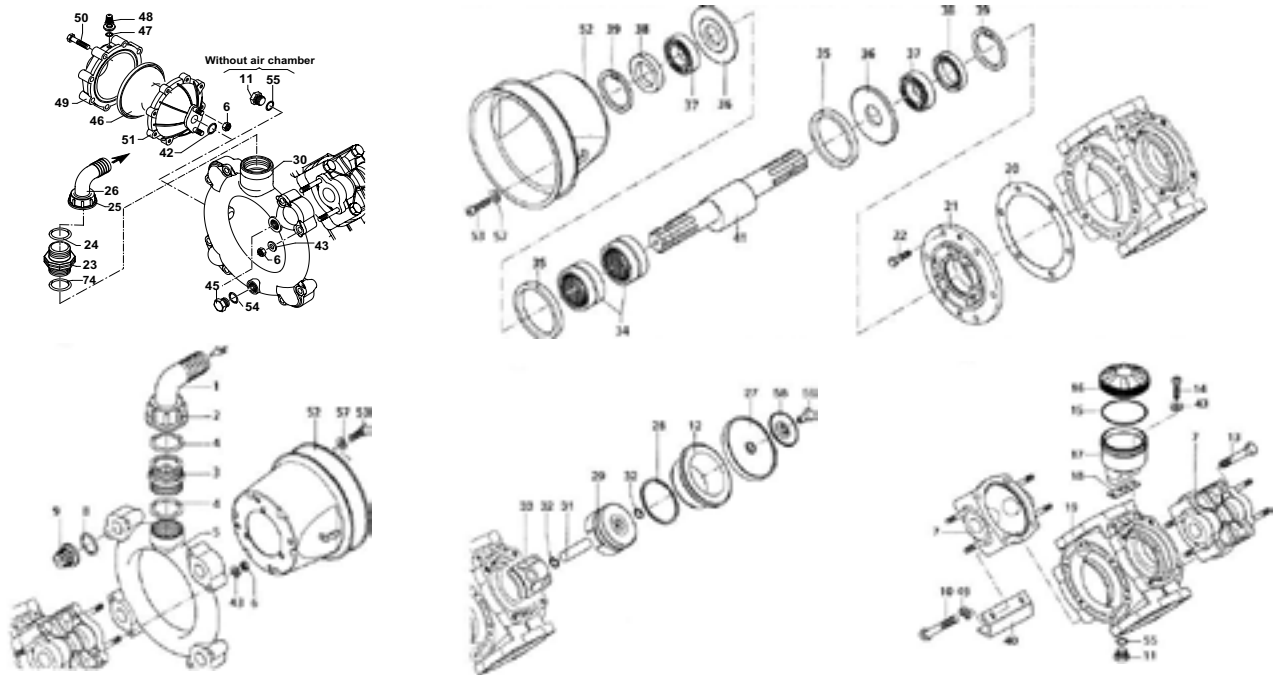
Ref	Qty	Part #	Description	Price
36	2	9910-580470	Connecting Rod Ring	6.88 S
37	12	9910-551040	Bolt	2.64 S
38	1	9910-550310	Roller Bushing	48.74 S
46	1	9910-550340	Threaded adapter	9.63 S
47	1	9910-550350	O-Ring	1.97 S
48	1	9910-550242	Ring nut	N/A
49	1	9910-550370	Elbow 1"	16.30 S
50	1	9910-540550	Elbow 1-1/2"	36.68 S
52	1	9910-250310	O-Ring	2.38 S
53	1	9910-550491	Seal Ring	34.42 S
54	1	9910-650920	O-Ring	3.21 S
55	1	2406-0023	Oil Drain Plug	10.16 S
56	1	9910-330173	Plug	8.80 S
57	2	9910-589200	DX Right Valve Retainer w/Plug/O-Ring	112.56 S
58	1	9910-580072	SX Left Valve Retainer	121.61 S
59	1	9910-1500350	Shield	64.82 S
60	2	9910-550332	Washer	1.71 S
61	5	9910-320621	Washer	1.71 S
62	1	9910-740290	O-Ring	2.12 S
63	1	9910-580330	Shaft (D135)	344.72 S
64	3	9910-580370	Plate	13.20 S
65	3	9910-580360	Diaphragm Bolt	16.30 S
66	1	9910-250310	O-Ring	2.38 S
77	1	9910-180101	O-Ring	1.97 S
78	2	9910-850851	Bolt	2.38 S
79	3	9910-620472	Bolt	2.95 S
81	1	9910-390180	O-Ring	1.86 S
82	1	9910-1040310	Oil Sight Glass	103.52 S
83	1	9910-650920	O-Ring	3.21 S
84	1	9910-1040322	Black Oil Tank Cap	35.43 S



HYPRO DIAPHRAGM PUMP REPAIR PARTS



9910-D160



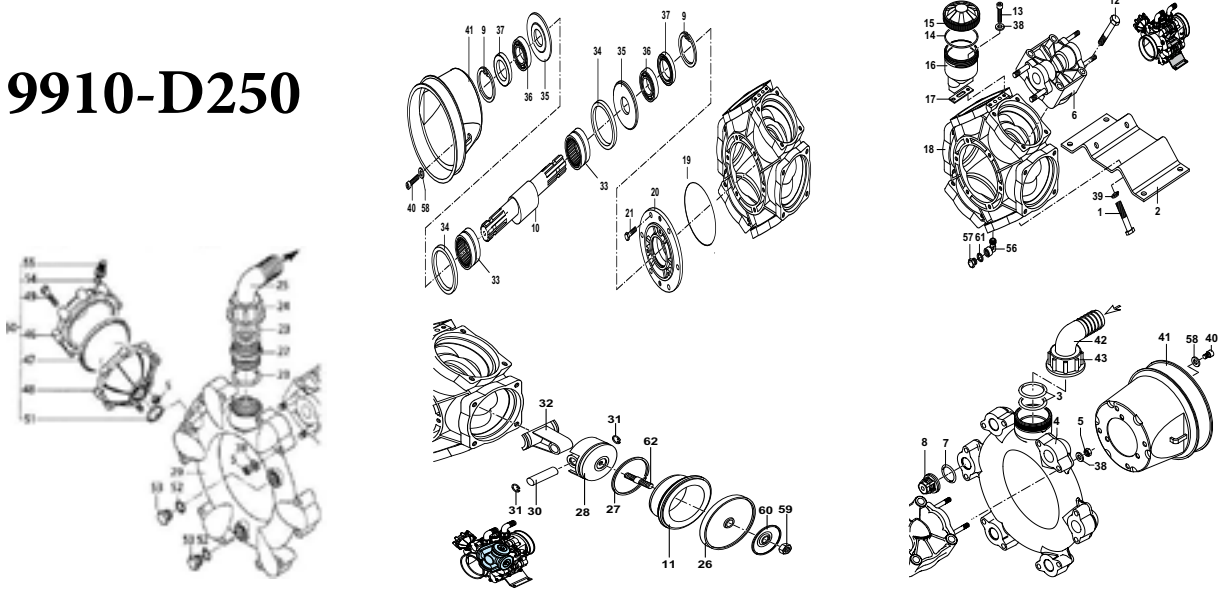
Ref	Qty	Part #	Description	Price
32	8	9910-160691	Pin ring	3.06 S
33	4	9910-760140	Connecting Rod	108.54 S
34	2	9910-750090	Roller Bearing	342.71 S
35	2	9910-750130	Connecting Rod Ring	63.82 S
36	2	9910-540040	Spacer Washer	63.32 S
37	2	9910-230350	Bearing	185.93 S
38	2	9910-160740	Seal Ring	43.47 S
39	2	9910-200390	Retainer Ring	14.75 S
40	2	9910-760201	Base	32.41 S
41	1	9910-750170	Crankshaft	750.74 S
42	1	9910-390290	O-Ring	2.59 S
43	18	9910-380243	Washer	1.71 S
44	4	9910-250143	Washer	2.38 S
45	2	9910-330173	Plug	8.80 S
46	1	9910-550190	Accumulator Diaphragm	28.72 S
47	1	9910-650542	O-Ring	2.17 S
48	1	9910-180020	Air Valve	45.23 S
49	1	9910-629216	Accumulator Head	116.58 S
50	8	9910-621781	M8 x 40 Bolt	2.95 S
51	1	9910-680180	Accumulator Body	155.78 S
52	2	9910-1500350	Shield	64.82 S
53	6	9910-850251	M8 x 12 Bolt	2.95 S
54	2	9910-180101	O-Ring	1.97 S
55	2	9910-740290	O-Ring	2.12 S
56	4	9910-2240110	Diaphragm Nut	4.55 S
57	6	9910-390314	Washer	1.71 S
58	4	9910-751250	Retaining Washer	21.23 S
61	4	9910-2240100	Diaphragm Stud	16.30 S
74	1	9910-751140	O-ring	7.77 S

Ref	Qty	Part #	Description	Price
5	1	9910-760750	Suction Manifold	S
6	18	9910-380242	Nut	1.71 S
8	8	9910-680070	O-ring	4.66 S
9	8	9910-759051	Complete Valve	51.00 S
10	8	9910-750071	Bolt	11.13 S
11	2	2406-0023	Oil Drain Plug	10.16 S
12	4	9910-750110	Sleeve	160.80 S
13	12	9910-750061	M12 x 65 Bolt	10.61 S
14	2	9910-680350	M8 x 35 Bolt	3.06 S
15	1	9910-1040060	O-Ring	9.63 S
16	1	9910-750057	Black Oil Tank Cap	23.55 S
17	1	9910-750030	Oil sight glass	59.04 S
18	1	9910-750040	Gasket	1.97 S
19	1	9910-761010	Pump body	517.58 S
20	1	9910-851360	O-ring	3.52 S
21	1	9910-680020	Bearing Support Housing	223.11 S
22	6	9910-160672	M10 x 25 Bolt	3.52 S
23	1	9910-751130	Threaded adapter	24.33 S
24	1	9910-390290	O-Ring	2.59 S
25	1	9910-750670	Ring nut	16.82 S
26	1	9910-3040160	Elbow 1-1/2"	30.40 S
27	4	9910-550085	Diaphragm (Desmopan) Standard	44.97 S
28	4	9910-500260	Piston Ring	21.74 S
29	4	9910-750122	Piston	93.97 S
30	1	9910-760760	Manifold	484.41 S
31	4	9910-160700	Pin	40.45 S



HYPRO DIAPHRAGM PUMP REPAIR PARTS

9910-D250



Ref	Qty	Part #	Description	Price
1	4	9910-750071	Bolt	11.13 S
2	1	9910-750200	Base	145.73 S
3	2	9910-750740	O-Ring	12.94 S
4	1	9910-751070	Suction Manifold	524.61 S
5	26	9910-380242	Nut	1.71 S
6	6	9910-751350	Head	161.81 S
7	12	9910-680070	O-Ring	4.66 S
8	12	9910-759051	Complete Valve	51.00 S
9	2	9910-200390	Retainer Ring	14.75 S
10	1	9910-750170	Crankshaft	750.74 S
11	6	9910-750110	Sleeve	160.80 S
12	20	9910-750061	Bolt	10.61 S
13	2	9910-680350	Bolt	3.06 S
14	1	9910-1040060	O-Ring	9.63 S
15	1	9910-750057	Black Oil Tank Cap	23.55 S
16	1	9910-750030	Oil Sight Glass	59.04 S
17	1	9910-750040	Gasket	1.97 S
19	1	9910-851360	Gasket	3.52 S
20	1	9910-680020	Shaft Support	223.11 S
21	6	9910-160672	Bolt	3.52 S
22	1	9910-751130	Threaded Adapter	24.33 S
23	1	9910-751140	O-Ring	7.77 S
23A	1	9910-390290	O-ring	2.59 S
24	1	9910-750670	Ring Nut	16.82 S
25	1	9910-3040160	Elbow 1-1/2"	30.40 S
26	6	9910-550085	Diaphragm (Desmopan) Standard	44.97 S
27	6	9910-500260	Piston Ring	21.74 S
28	6	9910-750122	Piston	93.97 S
29	1	9910-751080	Manifold	625.11 S

Ref	Qty	Part #	Description	Price
30	6	9910-160700	Pin	40.45 S
31	2	9910-160691	Pin Ring	3.06 S
32	6	9910-750140	Connecting Rod	280.40 S
33	2	9910-750090	Roller Bearing	342.71 S
34	2	9910-750130	Connecting Rod Ring	63.82 S
35	2	9910-540040	Spacer Washer	63.32 S
36	2	9910-230350	Bearing	185.93 S
37	2	9910-160740	Seal Ring	43.47 S
38	26	9910-380243	Washer	1.71 S
39	4	9910-250143	Washer	2.38 S
40	6	9910-850251	Bolt	2.95 S
41	2	9910-1500350	Shield	64.82 S
42	1	9910-750850	Elbow 2"	29.76 S
43	1	9910-750710	Ring Nut	23.81 S
46	1	9910-620232	Accumulator Head	62.56 S
47	1	9910-550190	Accumulator Diaphragm	28.72 S
48		9910-680180	Accumulator Body	155.78 S
49	8	9910-621781	Bolt	2.95 S
51	1	9910-390290	O-Ring	2.59 S
52	2	9910-180101	O-Ring	1.97 S
53	2	9910-330173	Plug	8.80 S
54	1	9910-650542	Gasket	2.17 S
55	1	9910-180020	Air Valve	45.23 S
56	1	9910-750370	Elbow	20.70 S
57	1	9910-880581	Oil Drain Plug	6.21 S
58	6	9910-390314	Washer	1.71 S
59	6	9910-2240110	Diaphragm Nut	4.55 S
60	6	9910-751250	Retainer Washer	21.23 S
62	1	9910-2240100	Diaphragm Stud	16.30 S

ACE BELT & CLUTCH DRIVE FRAME PUMPS



FMC-CW-150



FMC-CW-150-MAG



FMC-CW-200

PERFORMANCE CHART CW-150							
PUMP SHAFT RPM	20 PSI GPM	30 PSI GPM	40 PSI GPM	60 PSI GPM	80 PSI GPM	100 PSI GPM	MAX HP
3200	70	55	5	X	X	X	1.4
3800	75	70	60	10	X	X	1.8
4400	80	78	72	60	X	X	3
5200	80	80	78	75	70	30	4.7

FEATURES:

- CLOCKWISE ROTATION
- HIGH PERFORMANCE TO 100 PSI
- VALOX IMPELLER (CAST IRON OPTIONAL)
- STAINLESS STEEL SHAFT
- STANDARD VITON SEALS (SILICONE, CARBIDE OPTIONAL)
- AVAILABLE CLUTCH DRIVE (5-1/4" PULLEY)

PERFORMANCE CHART CW-200							
PUMP SHAFT RPM	20 PSI GPM	30 PSI GPM	40 PSI GPM	60 PSI GPM	80 PSI GPM	100 PSI GPM	MAX HP
2800	100	40	X	X	X	X	1.7
3200	125	100	90	X	X	X	3
3600	140	125	110	X	X	X	3.7
4000	160	140	135	90	X	X	4.5
4600	180	165	160	140	60	X	7

FEATURES:

- CLOCKWISE ROTATION
- HIGH PERFORMANCE TO 180 PSI
- CAST IRON IMPELLER
- STAINLESS STEEL SHAFT
- STANDARD VITON SEAL (SILICONE/CARBIDE OPTIONAL)
- AVAILABLE CLUTCH DRIVE (5-1/4" PULLEY)

$$\frac{\text{PUMP RPM}}{\text{DRIVE SHAFT RPM}} = \frac{\text{DRIVE PULLEY DIAMETER}}{\text{PUMP PULLEY DIAMETER}}$$
 OR

$$\text{PUMP RPM} \times \text{PUMP PULLEY DIAMETER} \text{ DIVIDED BY DRIVE SHAFT RPM EQUALS DRIVE PULLEY DIAMETER}$$

EXAMPLE: TO DRIVE FMC-150 AT 5000 RPM WITH PUMP PULLEY OF 5-1/4" DIA. AND DRIVE SHAFT RPM OF 3600.

$5000 \times 5.25 = 26250$ ROUND ANSWER TO CLOSEST 1/4"
 $26250/3600 = 7.29$ DRIVE PULLEY SHOULD BE 7.25"

PART #	INLET SIZE	OUTLET SIZE	MAX GPM	MAX PSI	SEAL TYPE	12V CLUTCH	PRICE
FMC-CW-150	1-1/2"	1-1/4"	80	100	VITON	NO	587.00 S
FMCSC-CW-150	1-1/2"	1-1/4"	80	100	SIL/CARB	NO	682.00 S
FMC-CW-150-MAG	1-1/2"	1-1/4"	80	100	VITON	YES	1,118.00 S
FMCSC-CW-150-MAG	1-1/2"	1-1/4"	80	100	SIL/CARB	YES	1,207.00 S
FMC-CW-200	2"	1-1/2"	180	100	VITON	NO	775.00 S
FMCSC-CW-200	2"	1-1/2"	180	100	SIL/CARB	NO	870.00 S
FMC-CW-200-MAG	2"	1-1/2"	180	100	VITON	YES	1,365.00 S
FMCSC-CW-200-MAG	2"	1-1/2"	180	100	SIL/CARB	YES	1,460.00 S



ACE HYDRAULIC DRIVE CENTRIFUGAL PUMPS



FMC-150-HYD-206



FMC-200-HYD-304

PERFORMANCE CHART FMC-150-HYD-206					
SHUT-OFF 0 GPM	40 GPM	60 GPM	80 GPM	100 GPM	120 GPM
120 PSI	116 PSI	112 PSI	110 PSI	88 PSI	53 PSI
100 PSI	97 PSI	92 PSI	84 PSI	74 PSI	46 PSI
80 PSI	75 PSI	70 PSI	61 PSI	52 PSI	20 PSI
60 PSI	57 PSI	57 PSI	43 PSI	29 PSI	X

USE THE SHUT-OFF PRESSURE OF YOUR SPRAYING SYSTEM TO DETERMINE WHICH LINE OF DATA APPLIES. THE HYDRAULIC SYSTEM INPUT PRESSURE AND FLOW WILL VARY WITHIN THE CHART. CONTACT FACTORY FOR MORE DATA

MAXIMUM SHUT-OFF PRESSURE 120 PSI

PERFORMANCE CHART FMC-200-HYD-304					
SHUT-OFF 0 GPM	40 GPM	80 GPM	120 GPM	160 GPM	200 GPM
120 PSI	114 PSI	100 PSI	85 PSI	65 PSI	36 PSI
100 PSI	92 PSI	83 PSI	68 PSI	52 PSI	X
80 PSI	76 PSI	68 PSI	57 PSI	43 PSI	X
60 PSI	56 PSI	50 PSI	40 PSI	X	X

USE THE SHUT-OFF PRESSURE OF YOUR SPRAYING SYSTEM TO DETERMINE WHICH LINE OF DATA APPLIES. THE HYDRAULIC SYSTEM INPUT PRESSURE AND FLOW WILL VARY WITHIN THE CHART. CONTACT FACTORY FOR MORE DATA

MAXIMUM SHUT-OFF PRESSURE 120 PSI

FEATURES FMC-150-HYD-206:

- 1-1/2" SUCTION, 1-1/4" DISCHARGE
- STANDARD VITON SEALS (SIL/CARB OPTIONAL)
- VALOX IMPELLER (CAST IRON OPTIONAL)
- STAINLESS STEEL SHAFT
- STAINLESS STEEL WEAR RING

RECOMMENDED FOR USE ON THE FOLLOWING HYDRAULIC SYSTEMS:

- PRESSURE COMPENSATING CLOSED CENTER
- LOAD SENSING OR PRESSURE FLOW-COMPENSATING CLOSED CENTER
- OPEN CENTER FROM 7-16 GPM
- INTEGRAL NEEDLE VALVE BYPASSES UP TO 9 GPM ON OPEN CENTER SYSTEMS

206 MOTOR REQUIRES 7 GPM HYDRAULIC FLUID INPUT

FEATURES FMC-200-HYD-304:

- 2" SUCTION, 1-1/2" DISCHARGE
- STANDARD VITON SEALS (SIL/CARB OPTIONAL)
- VALOX IMPELLER (CAST IRON OPTIONAL)
- STAINLESS STEEL SHAFT
- STAINLESS STEEL WEAR RING

RECOMMENDED FOR USE ON THE FOLLOWING HYDRAULIC SYSTEMS:

- PRESSURE COMPENSATING CLOSED CENTER
- LOAD SENSING OR PRESSURE FLOW-COMPENSATING CLOSED CENTER
- OPEN CENTER FROM 10-20 GPM
- INTEGRAL NEEDLE VALVE BYPASSES UP TO 9 GPM ON OPEN CENTER SYSTEMS

304 MOTOR REQUIRES 11 GPM HYDRAULIC FLUID INPUT

ACE HYDRAULIC DRIVE HIGH PERFORMANCE PUMPS							
PART #	INLET SIZE	OUTLET SIZE	MAX GPM	MAX PSI	SEAL TYPE	IMPELLER TYPE	PRICE
FMC150-HYD-206	1-1/2"	1-1/4"	120	120	VITON	VALOX	1,285.00 S
FMCS150-HYD-206	1-1/2"	1-1/4"	120	120	SIL/CARB	VALOX	1,380.00 S
FMC-200-HYD-304	2"	1-1/2"	200	120	VITON	VALOX	1,515.00 S
FMCS-200-HYD-304	2"	1-1/2"	200	120	SIL/CARB	VALOX	1,750.00 S

ACE HYDRAULIC DRIVE CENTRIFUGAL PUMPS



FEATURES

FMCS-205F-HYD-304

FMCS-205FS-HYD-304



FMCS-205F-HYD-304

FMCS-205FS-HYD-304

- * SUCTION 300 SERIES FLANGE
- * DISCHARGE 220 SERIES FLANGE
- * -FS MODEL - 316 STAINLESS STEEL
- * RECOMMENDED FOR USE ON THE FOLLOWING HYDRAULIC SYSTEMS:
 - # PRESSURE COMPENSATING CLOSED CENTER
 - # LOAD SENSING OR PRESSURE FLOW COMPENSATING CLOSED SYSTEM
 - # OPEN CENTER FROM 10 TO 20 GPM (38 TO 75 LPM) - INTEGRAL NEEDLE VALVE BYPASSES UP TO 9 GPM (34 LPM)
- * SEVERE DUTY SILICON CARBIDE MECHANICAL SEAL WITH O-RING SEAT FOR IMPROVED SURVIVABILITY
- * LARGER 203 BEARING FOR LONGER LIFE
- * CHEMICAL RESISTANT VALOX IMPELLER AND OPTIONAL CAST IRON OR 316 STAINLESS STEEL AVAILABLE



FMC-650F-HYD

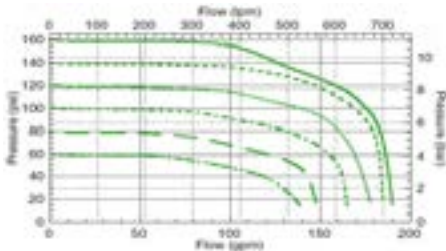
FMC-650FS-HYD

FEATURES

FMC-650F-HYD

FMC-650FS-HYD

- * SUCTION 220 FLANGE & 1-1/2" NPT
- * DISCHARGE 200 FLANGE & 1-1/4" NPT
- * HIGH PERFORMANCE PUMP
 - # MAXIMUM FLOW 170 GPM (644 LPM)
 - # MAXIMUM PRESSURE 160 PSI (11 BAR)
 - # MODIFIED IMPELLER DESIGN FOR HIGHER PRESSURE AT LOWER RPM
- * MAXIMUM RELIABILITY
 - # -FS MODEL - 316 STAINLESS STEEL
 - # OPERATES AT LOWER RPM FOR LONGER LIFE
 - # OVERSIZED BEARINGS
 - # E-COAT CORROSION PROTECTION
 - # HIGH EFFICIENCY 4000 PSI (275 BAR) PRESSURE PLATED GEAR MOTOR
 - # OPTIONAL CASE DRAIN



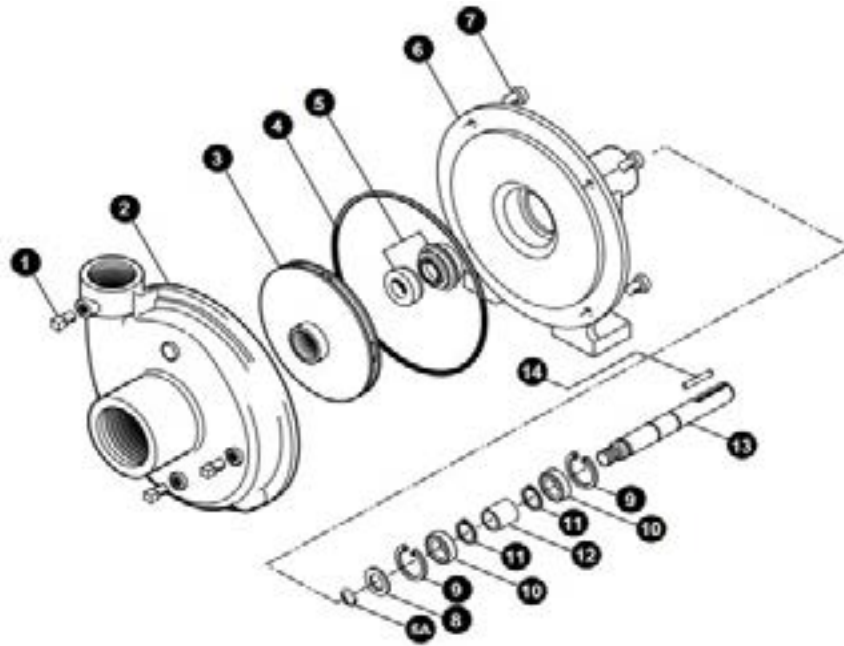
OIL FLOW	
GPM	LPM
14.5	54.8
13.6	51.5
12.4	46.8
11.3	42.8
9.8	37.1
8.3	31.4

ACE HYDRAULIC DRIVE PUMPS					
PART #	INLET SIZE	OUTLET SIZE	MAX GPM	MAX PSI	PRICE
FMCS-205F-HYD-304	300 Flange	220 Flange	240	120	1,750.00 S
FMCS-205FS-HYD-304	300 Flange	200 Flange	240	120	2,750.00 S
FMCS-205F-HYD-304-PWM	300 Flange	220 Flange	240	120	2,810.00 S
FMCS-205FS-HYD-304-PWM	300 Flange	220 Flange	240	120	3,810.00 S
FMC-650F-HYD	220 Flange & 1-1/2" NPT	200 Flange & 1-1/4" NPT	170	160	1,965.00 S
FMC-650FS-HYD	220 Flange & 1-1/2" NPT	200 Flange & 1-1/4" NPT	170	160	2,825.00 S



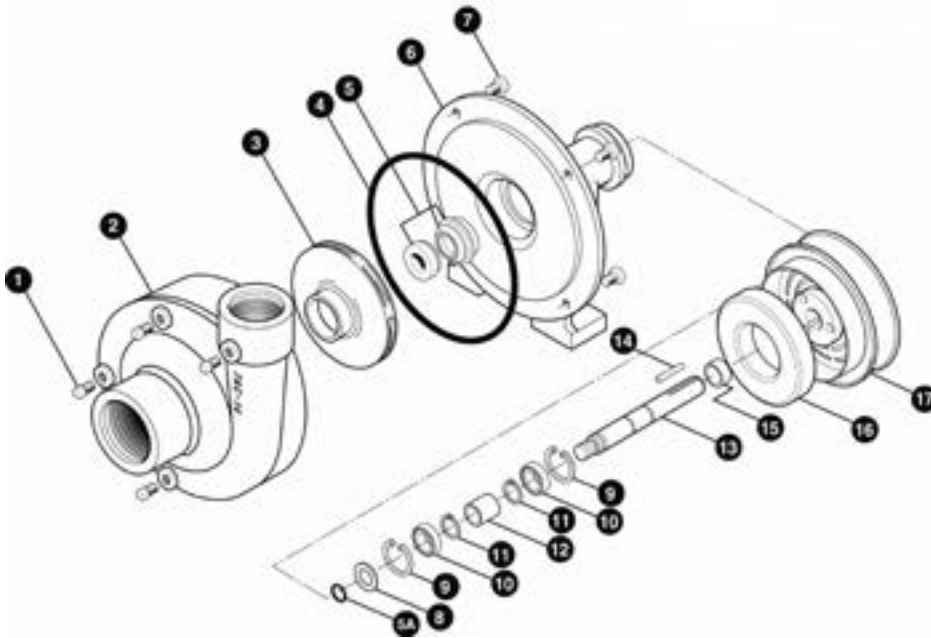
ACE PEDESTAL PUMP REPAIR PARTS

FMC-CW-150
FMC-CW-150SC
FMC-CW-150-MAG
FMC-CW-150-MAG-SC



Ref #	Req'd	Part #	Description	Price
1	4	BAC-53 (41110)	Pipe plug, 1/8" NPT	0.51 S
1	4	41120	Pipe plug, 1/8" NPT, stainless steel (opt)	5.10 S
2	1	6AC-12	Volute, 1 1/2" x 1 1/4", clockwise rotation, cast iron	N/A
3	1	BAC-26-CW-150-P	Impeller, 5 1/2" dia., right hand NF thread, thermoplastic	92.00 S
3	1	BAC-26-CW-150-CI	Impeller, 5 1/2" dia., right hand NF thread, cast iron (opt)	204.00 S
*4	1	BAC-4A	O-ring for BAC-12 volute seal, 4/96	8.15 S
*4	1	BAC-4	Gasket, 4 hole	4.10 S
*5	1	BAC-7V	Seal, Viton mechanical seal (includes 40160 o-ring)	51.00 S
5	1	BAC-7SC	Seal, silicon carbide mechanical seal (includes 40160 o-ring)(opt)	173.00 S
5A	1	40160	O-ring for BAC-6 shaft	1.00 S
6	1	BAC-14-F	Mounting frame	265.00 S
6	1	BAC-14-MAG	Mounting frame, machined to accept magnetic clutch assembly (MAG)	321.00 S
7	4	40930	Cap screw, 3/8" NC x 3/4" hex head, stainless steel (opt)	2.55 S
7	4	40950	Cap screw, 3/8" NC x 3/4" hex head	0.55 S
8	1	BAC-54	Slinger	1.55 S
9	2	BAC-33	Snap ring, internal, BAC-14 mounting frame	2.05 S
10	2	BAC-37	Bearing, BAC-6 driven shaft	20.00 S
11	2	BAC-32	Snap ring, external, BAC-6 driven shaft	0.55 S
12	1	BAC-32-S	Spacer for BAC-6 shaft	6.10 S
13	1	BAC-6-CW-SS	Shaft, 5/8" driven, right hand NF thread, stainless steel	143.00 S
14	1	BAC-50	Key, 3/16" x 3/16" x 1 1/4"	1.55 S
15	1	41477	Spacer, clutch (MAG)	N/A
*	1	RK-FMC	Repair Kit for FMC Series Includes *	60.70 S

ACE PEDESTAL PUMP REPAIR PARTS



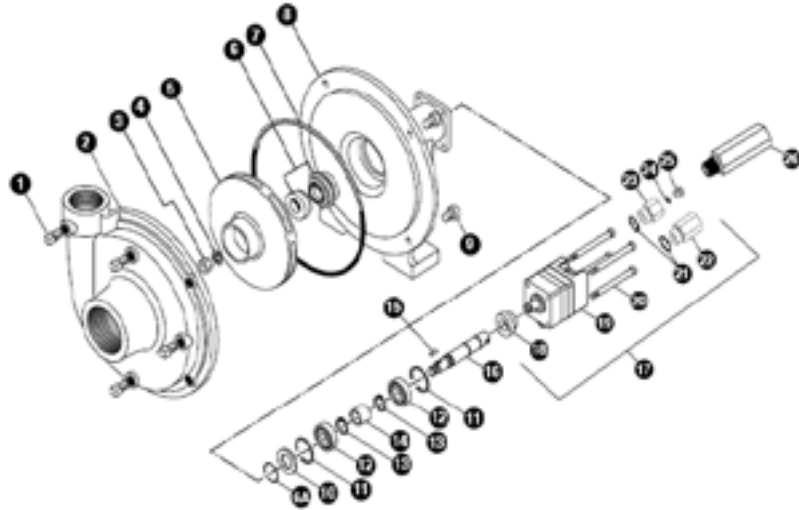
FMC-CW-200
FMC-CW-200-SC
FMC-CW-200-MAG
FMC-CW-200-MAG-SC

Ref #	Req'd	Part #	Description	Price
1	4	BAC-53 (41110)	Pipe plug, 1/8" NPT	0.51 S
1	4	41120	Pipe plug, 1/8" NPT, stainless steel (opt)	5.10 S
2	1	7AC-14-4	Volute, 2" x 1 1/2", clockwise rotation, cast iron	N/A
3	1	BAC-26-CW-200-CI	Impeller, 5 1/8" dia., right hand NF thread, cast iron	270.00 S
*4	1	BAC-4A	O-ring for BAC-12 volute seal, 4/96	8.15 S
*4	1	BAC-4	Gasket, 4 hole	4.10 S
*5	1	BAC-7V	Seal, Viton mechanical seal (includes 40160 o-ring)	51.00 S
5	1	BAC-7SC	Seal, silicon carbide mechanical seal (includes 40160 o-ring)(opt)	173.00 S
5A	1	40160	O-ring for BAC-6 shaft	1.00 S
6	1	BAC-14-F	Mounting frame	265.00 S
6	1	BAC-14-MAG	Mounting frame, machined to accept magnetic clutch assembly (MAG)	321.00 S
7	4	40930	Cap screw, 3/8" NC x 3/4" hex head, stainless steel (opt)	2.55 S
7	4	40950	Cap screw, 3/8" NC x 3/4" hex head	0.55 S
8	1	BAC-54	Slinger	1.55 S
9	2	BAC-33	Snap ring, internal, BAC-14 mouting frame	2.05 S
10	2	BAC-37	Bearing, BAC-6 driven shaft	20.00 S
11	2	BAC-32	Snap ring, external, BAC-6 driven shaft	0.55 S
12	1	BAC-32-S	Spacer for BAC-6 shaft	6.10 S
13	1	BAC-6-CW-SS	Shaft, 5/8" driven, right hand NF thread, stainless steel	143.00 S
14	1	BAC-50	Key, 3/16" x 3/16" x 1 1/4"	1.55 S
15	1	41477	Spacer, clutch (MAG)	N/A
*	1	RK-FMC	Repair Kit for FMC Series Includes *	60.70 S



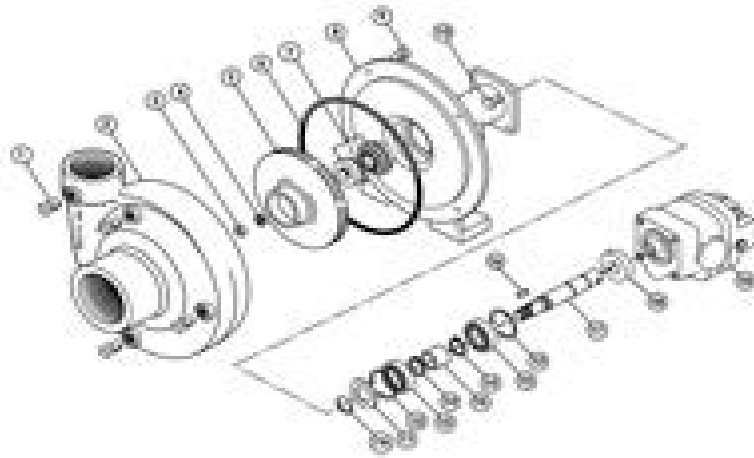
ACE HYDRAULIC PUMP REPAIR PARTS

FMC-150-HYD-206
FMC-150-HYD-206-SC



Ref #	Req'd	Part #	Description	Price
1	4	BAC-53	Pipe plug	0.51 S
1	4	41120	Pipe plug, stainless steel (opt)	5.10 S
2	1	BAC-12-150	Volute, 1 1/2" x 1 1/4"	316.00 S
3	1	BAC-23-A SS	Nut, 3/8" NE, cad plated	9.20 S
4	1	BAC-24-HYD-SS	Washer, 3/8" star, stainless steel	1.55 S
5	1	BAC-26-150-P	Impeller, Valox, keyway	92.00 S
5	1	BAC-26-150-CI	Impeller, cast iron, keyway (opt)	220.00 S
6	1	BAC-7V	Seal, mechanical, Viton (includes 40160 O-ring)	51.00 S
6	1	BAC-7SC	Seal, mechanical, silicon carbide (includes 40160 O-ring)(opt)	173.00 S
6A	1	40160	O-ring, shaft seal	1.00 S
7	1	BAC-4-150	O-ring, body seal	8.15 S
8	1	BAC-14-150-HYD	Mouting frame (for 200 series hydraulic motor)	393.00 S
9	4	40950	Cap screw, 3/8" NC x 3/4" hex head	0.55 S
9	4	40930	Cap screw, 3/8" NC x 3/4" hex head, stainless steel (opt)	2.55 S
10	1	BAC-54	Slinger	1.55 S
11	2	BAC-33	Snap ring, internal, BAC-14 mounting frame	2.05 S
12	2	BAC-37	Ball Bearing, sealed, BAC-6 shaft	20.00 S
13	2	BAC-32	Snap ring, external, BAC-6 shaft	0.55 S
14	1	BAC-32-S	Spacer for BAC-6 shaft	6.10 S
15	1	BACH-25	Key, 1/8" x 1/8" x 1/2"	1.05 S
16	1	BAC-6-HYD-SS	Shaft, 5/8" dia., keyway & tang slot, stainless steel (opt)	128.00 S
17	1	BAC-75-HYD-206	Hydraulic motor , 7 GPM (includes parts 18-25)	632.00 S
18	1	S200	Seal support spacer for 200 series HYD motor, 6/00	10.00 S
20	4	41255	Cap screw, 5/16" NC x 3-3/4" Hex head (for 206 motor)	2.00 S
26	1	LS-206N	Flow limiting valve (206N), #8 SAE male x 1/2" NPT female	87.00 S
		RK-FMC-150	Repair kit for FMC-150 series pump	60.70 S
		RK-BAC-75-HYD-L	Repair kit for 200-L Series motor	64.15 S

ACE HYDRAULIC PUMP REPAIR PARTS



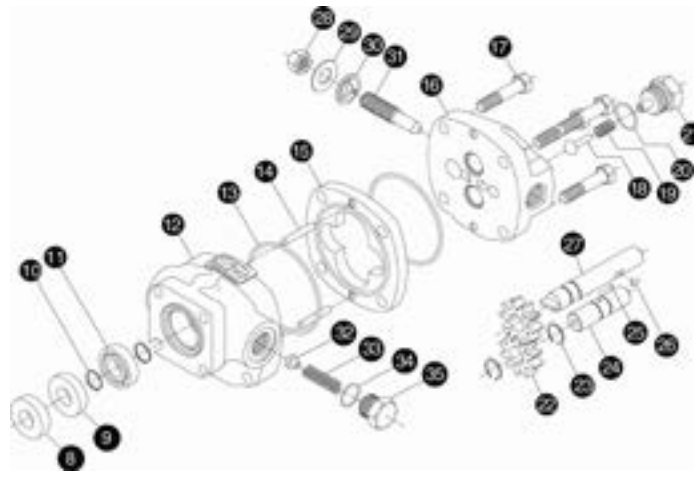
FMC-200-HYD-304
FMC-200-HYD-304-SC

Ref #	Req'd	Part #	Description	Price
1	4	BAC-53	Pipe Plug	0.51 S
1	4	41120	Pipe Plug, stainless steel (optional)	5.10 S
2	1	7AC-14-CCW	Volute, 2" x 1 1/2"	S
3	1	BAC-23-A SS	Nut, 3/8" NF, cad plated	9.20 S
4	1	BAC-24-HYD-SS	Washer, 3/8" star, stainless steel	1.55 S
5	1	BAC-26-200-CI	Impeller, w/extended keyway, cast iron (date code E-9 & up)	270.00 S
5	1	BAC-26-200-P	Impeller, w/extended keyway, thermoplastic	133.00 S
5	1	BAC-26-HYD-200-CI	Impeller, cast iron, keyway (obsolete 6/99)	270.00 S
6	1	BAC-4	Gasket, 4 hole	4.10 S
6	1	BAC-4A	O-ring, body seal 4/96	8.15 S
7	1	BAC-7V	Seal, mechanical, Viton (includes 40160 o-ring)	51.00 S
7	1	BAC-7SC	Seal, mechanical, silicon carbide (includes 40160 o-ring)	173.00 S
7A	1	40160	O-ring, shaft seal	1.00 S
8	1	BAC-14-HYD-300	Mounting frame (for -300 series hyd motor)	347.00 S
9	4	40950	Cap screw, 3/8" NC x 3/4" hex head	0.55 S
9	4	40930	Cap screw, 3/8" NC x 3/4" hex head, ss (optional)	2.55 S
10	1	BAC-54	Slinger	1.55 S
11	2	BAC-33	Snap ring, internal, BAC-14 mouting frame	2.05 S
12	2	BAC-37	Ball bearing, sealed, BAC-6 shaft	20.00 S
13	2	BAC-32	Snap ring, external, BAC-6 shaft	0.55 S
14	1	BAC-32-S	Spacer for BAC-6 shaft	6.10 S
15	1	BAC-25	Key, 1/8" x 1/8" x 13/16", extended keyway (date code E-9 & up)	1.05 S
15	1	BACH-25	Key, 1/8" x 1/8" x 1/2" (obsolete 6/99)	1.05 S
16	1	BAC-6-HYD-200-SS	Shaft, extended keyway, tang, ss (date Code E-9 & up)	128.00 S
16	1	BAC-6-HYD-SS	Shaft, 5/8" diameter, keyway & tang slot, ss (optional)	128.00 S
17	1	S300	Seal support spacer for 300 Series HYD motor 6/00	10.00 S
18	1	BAC-76-HYD	Coupling for hydraulic motor	29.00 S
19	1	BAC-75-HYD-304	Hydraulic motor, 11 GPM	949.00 S
20	4	41330	Cap screw, 5/16" NC x 3/4" hex head, motor to pump	0.55 S
		RK-FMC	Repair kit for FMC series pump	60.70 S
		RK-BAC-75-HYD-300	Repair kit for 304 motor	101.20 S
		RK-BAC-75-HYD-300-L	Repair kit for 300 Series -L motor	101.20 S



ACE HYDRAULIC MOTOR REPAIR PARTS

BAC-75-HYD-304
BAC-75-HYD-304L
BAC-75-HYD-310

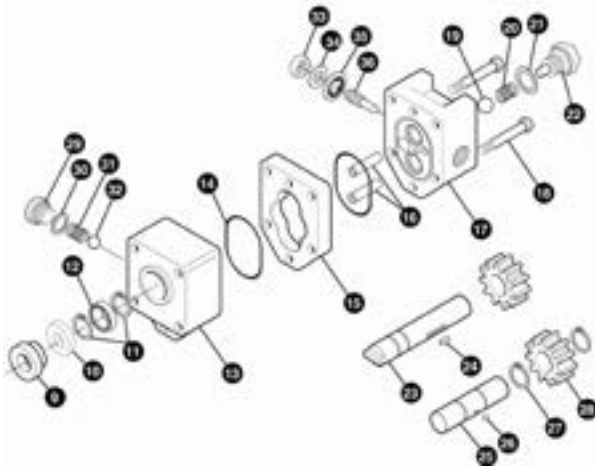


Ref #	Req'd	MODEL	MODEL	MODEL	Description	Price
		304	304L	310		
Ref #	Req'd	Part #	Part #	Part #		
1	1	43175		43170	Retaining ring, shaft seal	\$
2	1	43051		43051	Steel seal retainer	35.00 \$
3	1	43141			"O"ring, seal retainer	\$
4	1	43161		43160	Quad ring shaft seal	\$
5	1	43125		43120	Collar, quad ring shaft seal	\$
6	1	43151		43150	"O"ring, seal collar	\$
7	1	43095		43090	Backup washer	\$
8	1	S300	S300		Seal support spacer (L models)	10.00 \$
9	1	40154	40154		Seal cartridge ("L" models)	82.00 \$
10	1	43205	43205	43200	Retaining ring, bearing	6.10 \$
11	2	43225	43225	43220	Ball bearing	40.00 \$
12	1	43015	43015	43010	Drive plate	330.00 \$
13	1	43130	43130	43130	"O"ring, housing seal	2.05 \$
14	2	43085	43085	43080	Dowel pin, housing	2.05 \$
15	1	43005	43005	43000	Gear housing	182.00 \$
16	2	43020	43020	43020	End plate	323.00 \$
17	1	43185	43185	43180	Cap screw, 3/8" NC hex head	2.05 \$
18	2	43210	43210	43210	Plunger, reverse flow check	46.00 \$
19	1	43060	43060	43060	Spring, reverse flow check	8.15 \$
20	1	43290	43290	43290	"O"ring, reverse flow check	2.05 \$
21	1	43070	43070	43070	Valve cap, reverse flow check	45.00 \$
22	1	43035	43035	43030	Gear housing	136.00 \$
23	1	43240	43240	43240	Retaining ring, gear	1.05 \$
24	1	43235	43235	43230	Idler shaft	61.00 \$
25	1	43255	43255	43250	Ball, idler shaft	2.05 \$
26	1	43195	43195	43190	Dowel pin, drive shaft	2.05 \$
27	2	43045	43045		Drive shaft	202.00 \$
28	2	43270	43270	43270	Hex nut, needle valve	3.05 \$
29	1	43292	43292	43292	Backup washer, flat steel, needle valve	2.05 \$
30	1	43291	43291	43291	1/2" thread seal, needle valve	12.00 \$
31	1	43260	43260	43260	Adjusting screw, needle valve	46.00 \$
32	1	43300	43300		Plunger, coasting check	12.00 \$
33	1	43305	43305		Spring, coasting check	14.00 \$
34	1	43310	43310		"O"ring, coasting check	1.05 \$
35	1	43315	43315		Valve cap, coasting check	18.00 \$
		41361		41379	Motor kit 310	101.20 \$
		41362	41362		Motor kit 304L	101.20 \$



ACE HYDRAULIC MOTOR REPAIR PARTS

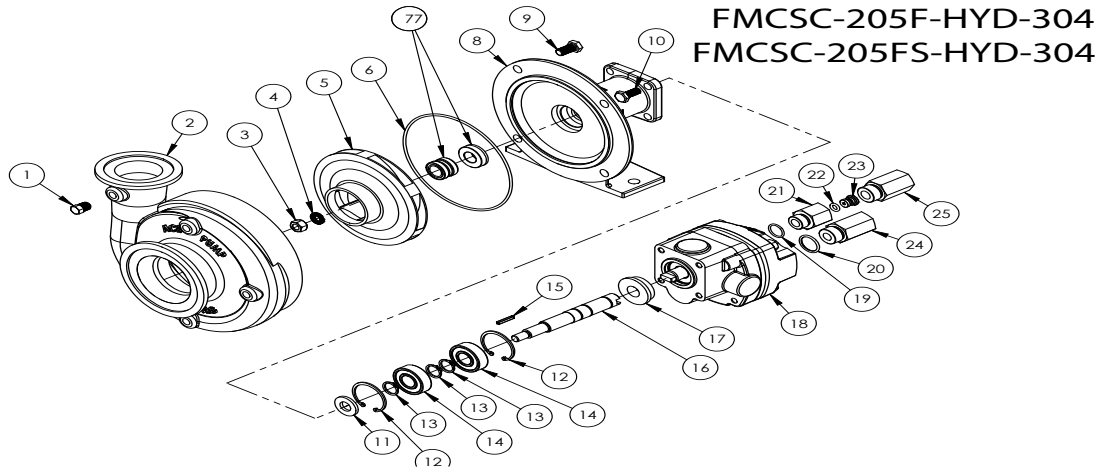
BAC-75-HYD-204
BAC-75-HYD-206
BAC-75-HYD-210



		MODEL 204	MODEL 206	MODEL 210		
Ref #	Req'd	Part #	Part #	Part #	Description	Price
1	1	41890	41890	41890	Retaining ring, shaft seal	1.00 S
2	1	41770	41770	41770	Seal retainer, steel	25.00 S
* 3	1	41880	41880	41880	Quad ring shaft seal	6.00 S
4	1	41840	41840	41840	Collar, quad ring shaft seal	5.25 S
* 5	1	41870	41870	41870	O-ring, seal collar	1.50 S
* 6	1	41860	41860	41860	O-ring, seal retainer	1.75 S
7	1	41810	41810	41810	Backup washer, steel	4.00 S
8	1	41830	41830	41830	Bearing spacer, wire ring	2.50 S
9 **	1	S200	S200	S200	Seal support spacer (L models)	10.00 S
11	2	41941	41941	41941	Snap ring, bearing	.80 S
12	1	41961	41961	41961	Ball bearing, 7/16" I.D.	45.00 S
13	1	41731	41731	41731	Drive plate	323.00 S
* 14 **	2	41850	41850	41850	O-ring, housing seal	2.05 S
15	1	41720	41721	41725	Gear housing	172.00/182.00 S
16	2	41800	41801	41805	Dowel pin, housing	3.05/4.10 S
17	1	41740	41740	41740	End plate	293.00 S
18	2	41900	41900	41905	Cap screw, 1/4" N.C. hex head	2.05 S
19	1	41950	41950	41950	Ball, reverse flow check	1.05 S
20	1	41780	41780	41780	Spring, reverse flow check	2.05 S
21	1	41820	41820	41820	Washer, nylon, reverse flow check	2.05 S
22	1	41790	41790	41790	Valve cap, reverse flow check	35.00 S
23	1	41761	41764	41766	Drive shaft	106.00/126.00 S
24	1	41920	41921	41925	Dowel pin, drive shaft	2.05 S
25	1	41970	41971	41975	Idler shaft	56.00 S
26	1	41990	41990	41990	Ball, idler shaft	2.05 S
27	2	41980	41980	41980	Retaining ring, idler gear	2.05 S
28	2	41750	41751	41755	Gear housing	11.00/126.00 S
29	1	42041	42041	42041	Valve cap, coasting check	20.00 S
* 30 **	1	42044	42044	42044	O-ring, coasting check	2.05 S
31	1	42042	42042	42042	Spring, coasting check	2.05 S
32	1	42043	42043	42043	Ball, coasting check	2.05 S
33	1	40960	40960	40960	Nut, 3/8" N.C. jam, needle valve	.55 S
34	1	42040	42040	42040	Washer, flat steel, needle valve	3.05 S
* 35 **	1	42030	42030	42030	Thread seal, 3/8", needle valve	8.00 S
36	1	42010	42010	42010	Adjusting screw, needle valve	25.00 S
*		41371	41371	41371	Repair Kit, RK-BAC-75-HYD	101.20 S
**		41374	41374	41374	Repair Kit, RK-BAC-75-HYD-L	64.15 S

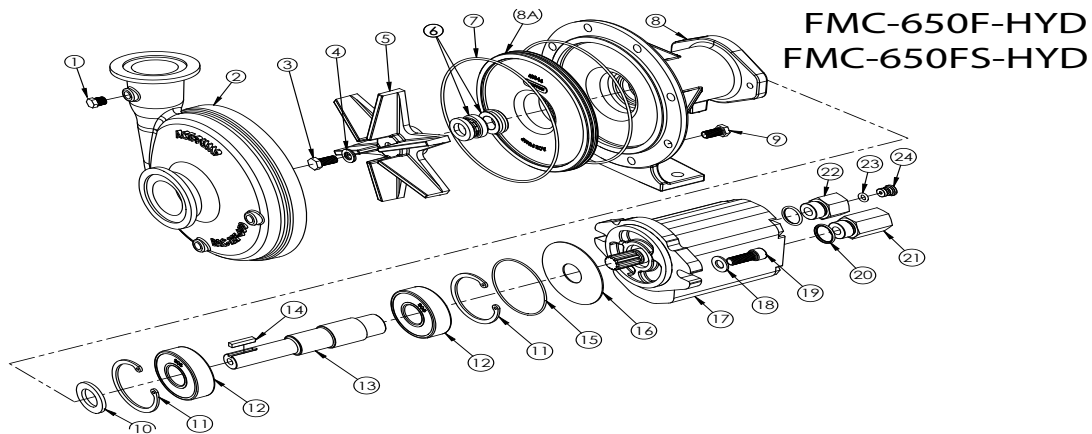


ACE HYDRAULIC PUMP REPAIR PARTS



Ref #	Req'd	Part #	Description	Price
1	4	BAC-53	Pipe plug	0.51 \$
1	4	41120	Pipe plug, stainless steel (-FS model)	5.10 \$
2	1	7AC-14-FLG	Volute, 300 standard flange x220 FP flange, cast iron	\$
2	1	7AC-14-FLG-SS	Volute, 300 flange x 220 flange, 316 stainless steel (-FS model)	\$
3	1	BAC-23-B-SS	Nut, 3/8" NF, stainless steel	1.05 \$
4	1	BAC-24-B-SS	Washer, 3/8", stainless steel, self-locking	7.15 \$
5	1	BAC-26-200-P	Impeller, thermoplastic	133.00 \$
5	1	BAC-26-200-CI	Impeller, cast iron (optional)	270.00 \$
5	1	BAC-26-200-SS	Impeller, 316 stainless steel (-FS model) (optional)	362.00 \$
6	1	BAC-4A	O-ring, body seal	8.15 \$
7	1	BAC-7SC-205V	Seal, silicon carbide	173.00 \$
8	1	BAC-14-205-HYD	Mounting frame for 205 pump	372.00 \$
8	1	BAC-14-205-HYD-SS	Mounting frame for 205 pump, 316 stainless steel (-FS model)	877.00 \$
9	4	40950	Cap screw, 3/8" NC x 3/4" hex head	0.55 \$
9	4	40930	Cap screw, 3/8" NC x 3/4" hex head, stainless steel (-FS model)	2.55 \$
10	4	41330	Cap screw, 5/16" NC x 3/4" hex head, motor to pump	0.55 \$
11	1	BAC-54	Slinger	1.55 \$
12	2	BACH-33	Snap ring, internal, BAC-14-205 mounting frame	1.55 \$
13	3	BACH-32-HD	Snap ring, external, BAC-6-205 shaft	3.05 \$
14	2	40880	Ball bearing, sealed, BAC-6-205 shaft	25.00 \$
15	1	BAC-6-205-HYD-SS	Shaft, extended keyway, tang, stainless steel	194.00 \$
16	1	BAC-25	Key, 1/8" x 1/8" x 3/16", extended keyway	1.05 \$
17	1	S305	Seal support spacer for 205 series pump	16.00 \$
18	1	BAC-75-HYD-304N	Hydraulic motor, 11 GPM, effective 5/13	939.00 \$
19	1	41875	O-ring, #8 SAE fitting	1.00 \$
20	1	41445	O-ring, #10 SAE fitting	1.00 \$
21	1	BAC-80-8SAE	Body, restrictor orifice, #8SAE x 1/2" NPT	22.50 \$
22	1	41448	O-ring, orifice insert	1.00 \$
23	1	BAC-79-8	Orifice insert, restrictor insert, 0.125	11.30 \$
24	1	41442	Reverse check assembly, #10 SAE x 1/2" NPT	28.60 \$
25	1	LS-304N	Flow limiter (optional)	87.00 \$
		RK-FMCS-205	Repair kit for FMC-205 pump with silicon carbide shaft seal	182.70 \$
		RK-BAC-75-HYD-300-L	Repair kit for 300 Series hydraulic motor	101.20 \$

ACE HYDRAULIC PUMP REPAIR PARTS



FMC-650F-HYD
FMC-650FS-HYD

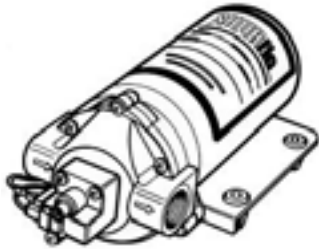
Ref #	Req'd	Part #	Description	Pirce
1	3	BAC-53	Pipe plug, 1/8" NPT, hex head	0.51 S
1	3	41120	Pipe plug, 1/8" NPT, hex head, stainless steel (optional)	5.10 S
2	1	BAC-12-650-FLG	Volute, NPT & 220 flange x NPT & 200 flange (Fmodel)	470.00 S
2	1	BAC-12-650-FLG-SS	Volute, NPT & 220 x NPT & 200, 316 stainless steel (FS model)	877.00 S
3	1	40930	Cap screw, 3/8" NC x 3/4" hex head, stainless steel	2.55 S
4	1	30029	Washer, 3/8" O.D., sealing, stainless steel	2.00 S
5	1	BAC-26-650	Impeller, cast iron, e-coated	265.00 S
5	1	BAC-26-650-SS	Impeller, stainless steel (optional)	454.00 S
6	1	BAC-7-650	Seal, carbon/ceramic/Viton, 3/4"	96.00 S
6	1	BAC-7SC-650	Seal, silicon carbide/Viton, 3/4" (optional)	204.00 S
6	1	BAC-7-650B	Seal, carbon/ceramic/Buna N, 3/4" (for aqua ammonia)	87.00 S
7	1	BAC-4-150	O-ring, volute seal	8.15 S
8	1	BAC-14-650-HYD	Mounting frame, cast iron, e-coated	612.00 S
8	1	BAC-14-650-HYD-LIN	Mounting frame, cast iron, e-coated, for liner (FS model)	653.00 S
8A	1	BAC-26-650-LIN	Liner, 316 stainless steel (FS model)	345.00 S
9	8	40950	Cap screw, 3/8" NC x 3/4" hex head	0.55 S
9	8	40930	Cap screw, 3/8" NC x 3/4" hex head, stainless steel (optional)	2.55 S
10	1	BAC-54-650	Slinger, 1.5" OD x 7/8" ID	4.10 S
11	2	41943	Snap ring, internal, mounting frame	4.00 S
12	2	40875	Bearing, FMC-650 models	44.00 S
13	1	BAC-6-650-HYD-SS	Shaft, 1.13" dia., 11T female spline, stainless steel	325.00 S
14	1	41085	Key, .188 x .188 x .875, FMC-650 models	1.00 S
15	1	43419	O-ring, flange, M Series (effective 6/15)	1.50 S
16	1	43414	Pad, absorbent, M Series (effective 6/15)	5.00 S
17	1	BAC-75-HYD-M16	Motor, hydraulic, pressure plated gear, 14.5 gpm	1,005.00 S
17	1	BAC-75-HYD-M16-CD	Motor, pressure plated gear, 14.5 gpm, case drain (optional)	985.00 S
18	2	42701	Washer, 3/8"	0.50 S
19	2	41907	Cap screw, 3/8" NC x 1", socket head	3.00 S
20	2	41445	O-ring, #10 SAE fitting	1.00 S
21	1	41442	Reverse check, #10 SAE male x 1/2" NPT female	29.00 S
22	1	41446	Body, adapter/restrictor, #10 SAE male x 1/2" NPT female	22.50 S
23	1	41448	O-ring, restrictor insert	1.00 S
24	1	41448	Restrictor orifice insert, .125	11.00 S
		RK-FMC-650	Repair kit, carbon/ceramic/Viton seal, FMC-650 models	106.20 S
		RK-FMCS-650	Repair kit, silicon carbide/Viton seal, FMC-650 models	214.20 S

ELECTRIC PUMPS



The High Performance SHURflo 2088 Series represents over 20 years of electric pump development, from the patented three chamber pump-head to its heavy duty motor and bearings. Count on the 2088 and the complete line of SHURflo pumps for long life, unmatched reliability and trouble free performance.

THE MODEL 2088 IS SELF-PRIMING TO 12 FEET & CAN BE RUN DRY WITH OUT DAMAGE.



The SHURflo 8000 Series pump is ideal for the toughest industrial applications requiring high pressure with flow rates up to 1.8 GPM with low AMP draw. Available with valving in a wide variety of elastomers, the 8000 can accommodate a broad spectrum of chemical products. Count on the compact 8000 and the complete line of SHURflo pumps for long life, unmatched reliability and trouble free performance.

THE MODEL 8000 IS SELF-PRIMING TO 8 FEET & CAN BE RUN DRY WITHOUT DAMAGE.

SHURflo ELECTRIC DIAPHRAGM PUMPS MODELS 2088 & 8000						
		MAX			MAX AMP	
PART#	VOLTS	GPM	CONTROL	PORTS	DRAW	PRICE
2088-313-145	12-DC	3.6	Adj Demand Switch	1/2" MPT	6.0	314.68 R
2088-343-135	12-DC	2.9	Adj Demand Switch	1/2" MPT	10.8	191.59 R
2088-394-154	12-DC	3.2	Demand Switch	1/2" MPT	0.9	268.66 R
2088-514-144	12-DC	4.0	Adj Demand Switch	1/2" MPT	10.0	275.08 R
8000-543-236	12-DC	1.4	Adj Demand Switch	3/8" FPT	7.3	160.55 R
8000-543-250	12-DC	1.3	Internal Bypass	3/8" FPT	5.5	156.27 R
8000-543-290	12-DC	1.4	External Bypass w/1/4" FPT	3/8" NPT	6.8	161.62 R

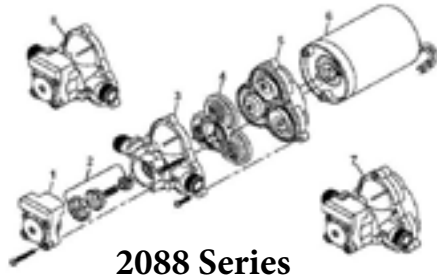


SHURflo FITTINGS & STRAINERS		
PART#	DESCRIPTION	PRICE
170-060-09	STRAINER, 1/2" HOSE BARB CONNECTOR	R
170-061-09	STRAINER, 1/2" MPT CONNECTOR	R
8-154-01	SWIVEL WING NUT STRAIGHT 1/2" FPT X 5/8" BARB	2.54 R
8-156-01	SWIVEL WING NUT STRAIGHT 1/2" FPT X 3/4" BARB	1.59 R
8-161-01	SWIVEL WING NUT STRAIGHT 1/2" FPT X 1/2" BARB	1.32 R
8-162-01	SWIVEL WING NUT STRAIGHT 1/2" FPT X 3/8" BARB	1.40 R
8-157-01	SWIVEL WING NUT ELBOW 1/2" FPT X 3/4" BARB	1.59 R
8-155-01	SWIVEL WING NUT ELBOW 1/2" FPT X 5/8" BARB	2.16 R
8-158-01	SWIVEL WING NUT ELBOW 1/2" FPT X 1/2" BARB	1.32 R
8-159-01	SWIVEL WING NUT ELBOW 1/2" FPT X 3/8" BARB	1.33 R
8-034-01	SWIVEL HEXNUT ELBOW 1/2" FPT X 1/2" BARB	1.58 R
8-035-01	SWIVEL HEXNUT ELBOW 1/2" FPT X 1/2" MPT	3.61 R
8-060-01	SWIVEL HEXNUT ELBOW 1/2" FPT X 3/8" BARB	1.58 R

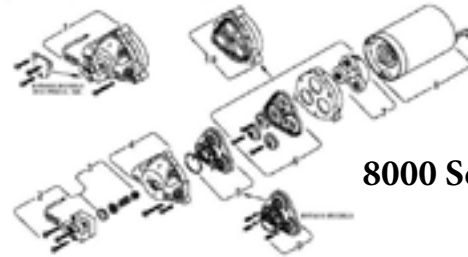
ELECTRIC PUMP REPAIR PARTS



REF#	PART#	2088 PARTS KITS	
		DESCRIPTION	PRICE
DIAPHRAGM/DRIVE KIT			
5	94-238-03	Santo 3.0 cam for all 2088	41.45 R
VALVE KIT			
4	94-232-05	Poly/Viton for all 2088	60.78 R
CHECK VALVE KIT			
2	94-237-05	Check valve kit, Viton for: 2088-313-145, 2088-343-135, 2088-394-154	27.56 R
UPPER HOUSING WITH SWITCH KIT			
N/P	94-231-05	Viton 40-45 PSI adjustable (LP) for all Viton models w/Mini-Micro Switch	66.61 R
SWITCH KIT			
1	94-230-36	Viton 40-45 PSI adjustable (LP) for: 2088-343-135, 2088-394-154	31.77 R
	94-230-55	Viton 40-45 PSI adjustable (splash proof) for: 2088-313-145	37.78 R
UPPER HOUSING KIT			
3	94-231-30	Poly-Pro 1/2" MPT x 1/2" MPT for all listed 2088 except: 2088-343-170, 2088-343-500	17.87 R



2088 Series



8000 Series

REF#	PART#	8000 PARTS KITS	
		DESCRIPTION	PRICE
DRIVE ASSEMBLY KIT			
10	94-385-03	3.0 cam for all listed 8000 models except: 8000-033-236, 8000-541-236, 8000-343-236	28.94 R
DIAPHRAGM KIT			
6	94-395-05	Viton for 8000-343-236, 8000-033-236	63.89 R
	94-395-06	Santoprene for all listed 8000 models except: 8000-343-236, 8000-033-236	23.38 R
VALVE KIT			
5	94-390-05	Viton for all listed 8000 models except: 8000-543-250, 8007-543-250, 8000-533-250, 8000-542-296	46.39 R
9	94-391-09	Viton 45 PSI bypass for 8000-543-250, 8000-533-250	57.20 R
CHECK VALVE KIT			
3	94-374-05	Viton, 1-way check valve for all listed 8000 models	14.02 R
UPPER HOUSING			
1	94-378-00	Poly-Pro 1/2" male for 8000-543-136	21.30 R
	94-379-00	Poly-Pro 3/8" female for all listed 8000 models except: 8000-543-136	23.66 R
SWITCH KIT			
2	94-375-05	Viton 60 PSI for all listed 8000 models except: 8000-543-250, 8007-543-250, 8000-533-250, 8000-543-290, 8000-543-328	38.57 R
	94-375-15	Viton 80-100 PSI for model 8000-543-238	40.77 R

EVERFLO AG PUMPS



EF1000



EF2200



**EF3000, EF4000
EF5500, EF7000**

12 VOLT DIAPHRAGM PUMP				
PART#	GPM	PSIMax	PORT	PRICE
EF1000	1	40	3/8" Barb	36.25 R
EF2200	2.2	70	3/8" NPT	71.50 R
EF3000	3	60	1/2" NPT	106.00 R
EF4000	4	60	1/2" NPT	113.60 R
EF5500	5.5	60	1/2" NPT	166.00 R
EF7000	7	60	1/2" NPT	310.00 R
12 VOLT DIAPHRAGM PUMP - QUICK ATTACH				
PART#	GPM	PSIMax	PORT	PRICE
EF2200QA	2.2	70	QA	75.75 R
EF3000QA	3	60	QA	107.00 R
EF4000QA	4	60	QA	118.00 R
EF5500QA	5.5	60	QA	170.00 R
EF7000QA	7	60	QA	314.00 R



EF2200QA



**EF3000QA, EF4000QA
EF5500QA**

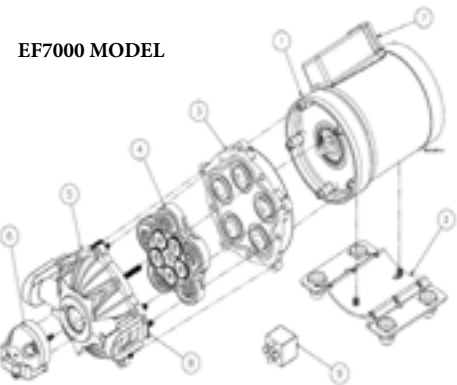
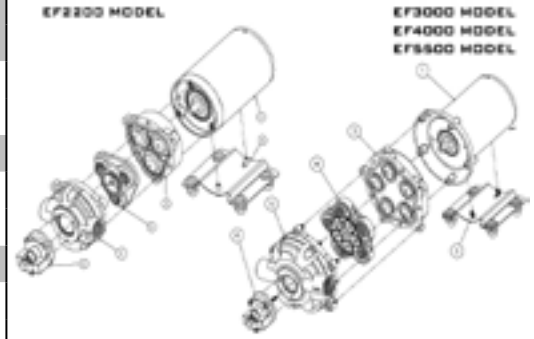


EF7000QA

CABLES		
PART#	DESCRIPTION	PRICE
WH-C	10' On/Off Switch Assembly w/Alligator Clips and 2 Pin Connectors	12.75 R
WH-DCP	8' On/Off Switch Assembly w/Fused DC Plug and 2 Pin Connector	11.95 R

EVERFLO REPLACEMENT PARTS

EVERFLO REPLACEMENT PARTS					
	EF2200	EF3000	EF4000	EF5500	EF7000
REF #1	Motor				
PART#	EF778306	EF787379	EF787379	EF787379	EF790107
PRICE		80.75 R	80.75 R	80.75 R	
REF #2	Base Plate Assembly				
PART#	EF780254	EF780254	EF780254	EF780254	EF790109
PRICE	5.50 R	5.50 R	5.50 R	5.50 R	
REF #3	Diaphragm Assembly				
PART#	EF778747	EF787528	EF781864	EF787530	EF788925
PRICE				24.95 R	
REF #4	Valve Plate Assembly				
PART#	EF778279	EF780509	EF780509	EF780509	EF788015
PRICE		12.95 R	12.95 R	12.95 R	
REF #5	Pump Head Assembly				
PART#	EF780253	EF787165	EF787165	EF787165	EF787165
PRICE		9.50 R	9.50 R	9.50 R	
REF #5	Pump Head Assembly with QA Clip				
PART#	EF787418	EF787419	EF787419	EF787419	EF787419
PRICE					
REF #6	Pressure Switch Assembly				
PART#	EF778588	EF785293	EF785293	EF785293	EF788690
PRICE		10.50 R	10.50 R	10.50 R	
	Replacement QA Clip				
PART#	EF784449	EF784449	EF784449	EF784449	EF784449
PRICE					
N/A	Replacement Fuse				
PART#	EF787380	EF787681	EF787381	EF791416	EF791419
PRICE					
	Relay Cover				
PART#					EF789252
PRICE					
	Relay (inside relay cover)				
PART#					EF788929
PRICE					
	Replacement Head Kit (Ref# 3, 4, 5, 6)				
PART#	EF2200-KIT	EF3000-KIT	EF4000-KIT	EF5500-KIT	EF7000-KIT
PRICE	39.14 R	52.20 R	61.50 R	88.90 R	105.40 R
	Replacement QA Head Kit				
PART#	EF2200QA-KIT	EF3000QA-KIT	EF4000QA-KIT	EF5500QA-KIT	EF7000QA-KIT
PRICE	44.50 R	58.75 R	69.50 R	102.75 R	102.75 R



QUICK ATTACH ENDS		
PART#	DESCRIPTION	PRICE
EFQCM12	QA x 1/2" MNPT	3.50 R
EFQCA38	QA x 3/8" Hose Barb	3.56 R
EFQCA12	QA x 1/2" Hose Barb	3.83 R
EFQCA34	QA x 3/4" Hose Barb	4.42 R
EFQCEL38	QA x 3/8" Hose Barb Elbow	4.25 R
EFQCEL12	QA x 1/2" Hose Barb Elbow	4.82 R
EFQCEL34	QA x 3/4" Hose Barb Elbow	5.95 R

TOTE PUMP & GO KIT

FILL-RITE

The Most Versatile, Dependable
Liquid Transfer Pump You Will Ever Need!



Includes:

Dip Tube, Suction Hose, Cam Lock,
Hose Clamp, Discharge Hose, Pump
and Battery Cable and Clamps

PART# SS415BX731PG \$780.00 Y 12V

PART# SS460BX731PG \$780.00 Y 115V

Pump Specifications:

Reciprocating, spring-driven, dual-diaphragm design

Flow Rates: Up to 15 GPM (1.5 CPS)

Up to 12 GPM (350 CPS)

Materials of Construction:

Pump - Glass filled polypropylene.

*Internal Wetted Parts - Polypropylene,
fluorocarbon and stainless steel.*

Fluid Viscosities - up to 3000+ CPS

Inlet port - 1.0" FNPT

Outlet port - 1.0" FNPT

Particle tolerance - up to 0.1" diameter.

Motor Specifications:

Available in 12 Volt or 115 Volt

Thermal Overload Protection

1/4 HP 12 V draws 20 amps

1/4 HP 60 HZ (110 Volt AC)

Mounts directly to drums, containers, and storage tanks.



Full Season Pump Application!!

Motor Oil, Waste Oil, Hydraulic Fluid, Transmission Fluid, Soaps & Cleaning Fluids,
Antifreeze, Propionic Hay, Seed Treatment Liquids, Crop Protection Materials and
Fertilizers.

CHEMICAL, HERBICIDE PUMPS

Sotera Series 400 Transfer Pump



Model SS415

Pump thick or thin chemicals
Up to 15 GPM
Battery cables & clips
Can pass particulates up to one tenth of an inch

Description:

Positive Displacement 12 volt DC powered Chemical diaphragm pump only.



Model SS417

Pump thick or thin chemicals
Up to 15 GPM
Battery cables & clips
Can pass particulates up to one tenth on an inch
Includes 12' discharge hose & nozzle/ball valve

Description: Complete series 700 pump with suction and discharge kit for application as a drum pump or barrel pump. Great for agriculture, industrial maintenance, material handling and car wash.



Model SS419X665

Pump thick or thin chemicals
Up to 15 GPM
Includes hoses & ball valve
Battery cables & clips
Can pass particulates up to one tenth on an inch

Description:

Positive Displacement 12 volt DC powered Chemical diaphragm pump system. Used to adapt to Monsanto keylock adapter.



Model SS445

Pump thick or thin chemicals
Up to 15 GPM
Integral Liquid recirculation
Includes 825 digital meter
Includes hoses, suction tubes, ball valve, battery cables & clips
Can pass particulates up to one tenth of an inch

Description: Basic 12 volt DC transfer pump with Santoprene® diaphragm, 20' battery cable, 1" x 12' EPDM hose, ball-valve nozzle, 825 digital meter, designed for liquid recirculation mixing only and GEM Cap tank mounting.



SOTERA SERIES 400 PUMPS		
PART#	DESCRIPTION	PRICE
SS415B	Pump ONLY	698.00 Y
SS420B	Pump w/Hose, Nozzle & Tube	795.00 Y
SS445B	Recirculation Pump w/Hose, Nozzle & Tube (GemCap Adapter & Digital Meter)	1,095.00 Y
SS417B	Pump w/Hose, Nozzle & Tube (2" NPT or Buttress Opening)	725.00 Y
SS419BX665	Pump w/Hose, Nozzle & Tube (Monsanto Keylock Adapter)	789.00 Y

CHEMTRAVELLER® Pumps

The portability and flexibility of the Chemtraveller allows for top and bottom mount directly to drums, containers and storage tanks.

Model: SS435X713

Basic 12 Volt DC transfer pump only with complete top and bottom discharge kits. Provided a wide range of applications for drums, barrels, totes or IBCs.



Model: SS435

Basic 12 Volt DC transfer pump with Santoprene® diaphragms, 20' battery cable/battery clips, 1" x 14" EPDM discharge hose, 1" x 9' EPDM suction hose, ball valve nozzle, 825 digital meter and low profile tubular frame.

Model: SS465X713

Basic 115 Volt AC transfer pump with Santoprene® diaphragms, 1" x 14' EPDM discharge hose, 1" x 9' EPDM suction hose, ball valve nozzle, high profile tubular frame and wheel kit.

CHEMTRAVELLER PUMPS		
PART#	DESCRIPTION	PRICE
SS435BX713	12V PUMP KIT NO METER	1,195.00 Y
SS465BX713	115V PUMP KIT W/METER	1,205.00 Y

METERS



Model: 850

Description:

Pre-calibrated flowmeter, nutating disc, compact, durable, accurate and for use with many kinds of chemicals. Can be used at the pump or at the end of the hose. Added capability of air sensing. Will not register air.



Model: 825

Description: Pre-calibrated flowmeter, nutating disc, compact, durable, accurate and for use with many kinds of chemicals. Can be used at the pump or at the end of the hose.

SOTERA SYSTEMS FLOWMETERS						
PART#	DESCRIPTION	GPM	ACCURACY	CALIBRATE	INLET/ OFFLET	PRICE
FR-825	825 DIGITAL METER	2 TO20	+/- 0.5%	YES	1"	252.00 Y
FR-850	850 DIGITAL METER	2 TO 20	+/- 0.5%	YES	1"	299.00 Y



DRY DISCONNECT - PF SERIES		
PART#	DESCRIPTION	PRICE
PF1001-16FP	Coupler - 1" FML x FPT Poly	51.00 R
PF-1002-32MP	Coupler - 1" Nipple x 2" NPT	38.00 R
PF-501-8FP	Coupler - 1/2" FML FPT	63.75 A
PF-502-8FP	Coupler - 1/2" Nipple ML FPT	45.75 A



DURA PRODUCTS

CHEMICAL TRANSFER PUMPS & METER



DURA-ABS AUTO-BATCH SYSTEM

How It Works

- 1 Select the volume desired
- 2 Press **START**
- 3 The pump will begin to dispense fluid and automatically shuts off when complete.

- \ Intuitive interface allows for the selection of manual or automatic operation with the flip of a switch
- \ High-flow pump with up to 15GPM flow rate
- \ Optimized for repeatable batching; returns to the last volume amount dispensed
- \ 100% moisture sealed circuitry
- \ Includes Dura-Meter with impact resistant Lexan faceplate
- \ Available in 12 Volt or 110 Volt, and EPDM or Viton options
- \ Features a 2 year warranty

PART#	DESCRIPTION	PRICE
DPABS-4312E	EPDM 12 Volt	1,110.00 Y
DPABS-4312V	VITON 12 Volt	1,162.00 Y
DPABS-4315E	EPDM 110 Volt	1,175.00 Y
DPABS-4315V	VITON 110 Volt	1,215.00 Y



The DuraPump Easy-Caddy Frame Assembly provides the ability to quickly attach the pump system to the frame of the IBC/cage tank. The system includes a 1" x 12' EPDM discharge hose, 1" x 18" EPDM suction hose, 2" cam lock, with hose barbs and hose clamps, and ball valve nozzle.

- DPE-4012E** (EPDM, without meter) \$835.00 A
- DPE-4015V** (Viton, without meter) \$855.00 A



The DuraPump top unload configuration allows for the pump to be vertically threaded into a standard 2" NPT bung. Included is a telescoping dip tube, 1" x 12' EPDM discharge hose with hose barbs and hose clamps, ball valve nozzle.

- DPT-4012E** (EPDM, w/o meter) \$770.00 A
- DPT-4012V** (Viton, w/o meter) \$792.00 A
- DPT-4015E** (EPDM, w/o meter) \$755.00 A
- DPT-4015V** (Viton, w/o meter) \$790.00 A



The DuraPump bottom unload configuration allows for the pump to be mounted to the bottom 2" valve. Included is a 2" cam lock, 1" x 12' EPDM discharge hose with hose barbs and hose clamps, ball valve nozzle.

- DPB-4012E** (EPDM, without meter) \$755.00 A
- DPB-4012V** (Viton, without meter) \$745.00 A



Dura-Meter

- * Impact resistant Lexan faceplate
- * 100% moisture-sealed circuitry makes meter impervious to water intrusion
- * Same great menu driven backlit display
- * Plumbed both for in-line and 90 degree applications
- * Features 2 Year Maintenance Program

- DP-3000V** (Viton) \$313.00 Y

DURA PRODUCTS

Diaphragm Transfer Pump

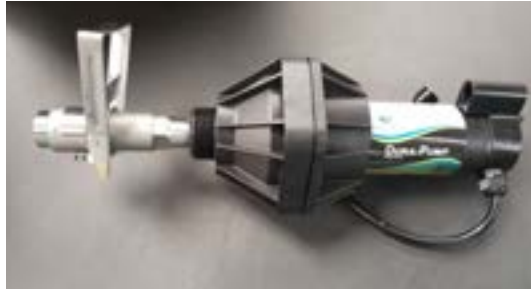


DP-4012E (12 volt, EPDM) \$635.00 A DP-4015E (110 volt, EPDM) \$726.00 A
 DP-4012V (12 volt, Viton) \$658.00 A DP-4015V (110 volt, Viton) \$731.00 A

The DuraPump is self priming, can be run dry without damage, has an internal bypass, and is easily field repairable. The DuraPump suction port is configured with a 2" Male NPT x 1" Female NPT for easy plumbing capabilities. The discharge port is a 1" Female NPT. The DuraPump features 2 year warranty.

Applications

- * Chemical transfer
- * Non-flammable liquids
- * Light oils
- * Inks
- * Automotive fluids
- * Agriculture



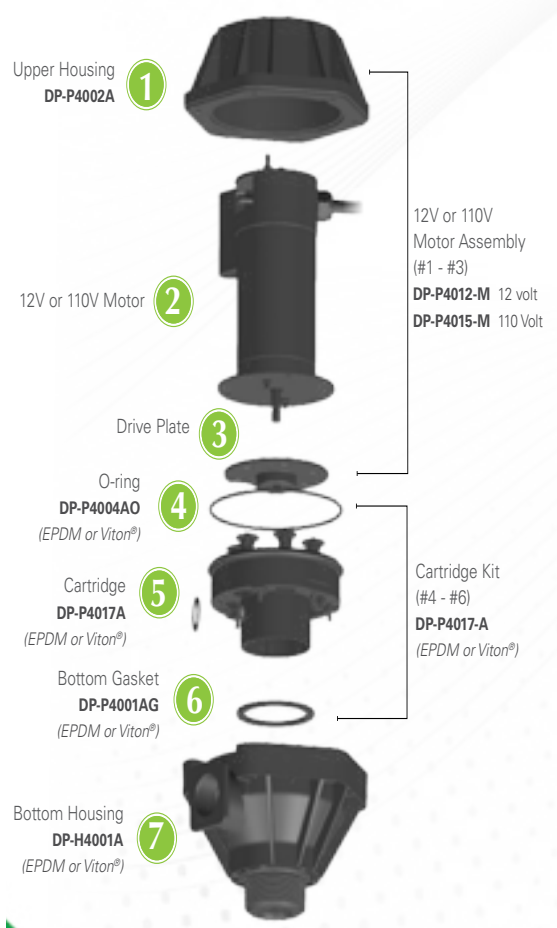
INCLUDES:

- pump
- coupler
- hose
- ball valve
- spout

DPT-4012V/KIT (Viton) \$855.00 A

DURA-PUMP PARTS			
Ref #	PART #	DESCRIPTION	PRICE
1	DP-P4002A	Upper Housing	33.00 Y
	DP-P4012-M	12V Motor Assembly (#1 - #3)	392.00 Y
	DP-P4015-M	110V Motor Assembly (#1 - #3)	382.00 Y
4	DP-P4004AO-E	O-ring EPDM	11.50 Y
4	DP-P4004AO-V	O-ring Viton	16.00 Y
5	DP-P4017A-E	Cartridge EPDM	107.00 Y
5	DP-P4017A-V	Cartridge Viton	118.00 Y
	DP-P4017-AE	Cartridge Kit EPDM (#4 - #6)	133.00 Y
	DP-P4017-AV	Cartridge Kit Viton (#4 - #6)	143.00 Y
6	DP-P4001AG-E	Bottom Gasket EPDM	16.00 Y
6	DP-P4001AG-V	Bottom Gasket Viton	20.00 Y
7	DP-H4001A-E	Bottom Housing EPDM	78.00 Y
7	DP-H4001A-V	Bottom Housing Viton	90.00 Y
	DP-G4001E	Gasket Kit EPDM	34.00 Y

PH6 PUMP PARTS AVAILABLE		
PART#	DESCRIPTION	PRICE
PHP-KIT-01	Cartridge, Gasket & O-ring	139.50 NET
PHP-KIT-02	Gasket & O-ring	13.95 NET
PHP-KIT-02V	O-ring Gasket Kit Viton	70.50 NET
PHP-KIT-03	Switch-Kit	55.50 NET



CHEMICAL, HERBICIDE PUMPS



SINGLE ACTION PISTON HAND PUMP
DESIGNED FOR HERBICIDES, INSECTICIDES, FUNGICIDES & FERTILIZERS
POLYPROPYLENE AMND VITON WETTED PARTS
ADJUSTABLE SUCTION PIPE
ONE PINT PER STROKE
3/4" INLET & 1/2" ANTI-DRIP SPOUT WITH HOSE BARB
MOUNTS EASILY ON 55 GALLON BARREL OR TANK WITH 2" NPT THREADS

PART# LP-50H \$115.00 A



12VDC MOTOR WITH LOW AMP DRAW OF 15-25 AMPS UNDER NORMAL CONDITIONS, LIGHTWEIGHT, DURABLE MOLDED PLASTIC HOUSING
DEPENDABLE ROTARY GEAR DESIGN
30 MINUTE DUTY CYCLE
INSTALLS ON 2" BUNG
HIGHLY PORTABLE WITH CARRYING HANDLE

PART# P-120H 850.00 A



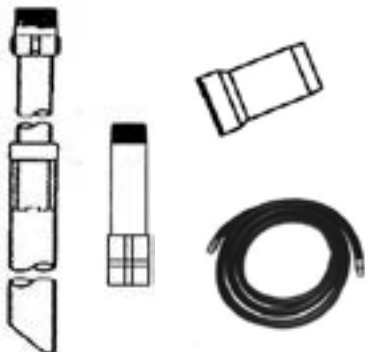
PUMP RATE OF 12 GPM, LIGHTWEIGHT CORROSION RESISTANT CAST ALUMINUM CONSTRUCTION
30 MINUTE DUTY CYCLE
1" INLET AND OUTLETS
INSTALLS ON 2" BUNG
CURRENT DRAW OF LESS THAN 23 AMPS, NORMAL CONDITION
COMES WITH 20' CABLE, BATTERY CLAMPS & BUNG ADAPTER

PART# M-120H \$735.00 A



PUMP RATE TO 30 GPM, EASY-CHANGE STROKE SETTING (2 OR 1 QUART)
PUMPS WIDE VARIETY OF PRODUCTS, LIGHTWEIGHT ALUMINUM CONSTRUCTION, FITS CONTAINERS WITH 2" BUNG, VITON SEALS
HARDENED STEEL HANDLE, SPIN COLLAR FOR EASY INSTALLATION
AIR VALVE IN BODY TO PREVENT SIPHONING
BUILT-IN NOZZLE HOLDER
COMES WITH 40" SUCTION TUBE & 8' EPDM HOSE

PART# HP100-C \$325.00 A



GPI ACCESSORIES		
PART#	DESCRIPTION	PRICE
110100-2	PLASTIC ADJUSTABLE DROP PIPE 22" TO 40"	55.95 R
115527-2	15" EXTENSION PIPE	59.00 R
F0236	ANIT-DRIP FOR BANJO NOZZLE	24.75 R
F0237	ANTI-DRIP FOR NORWESCO NOZZLE	40.25 R
110094-1	EPDM CHEMICAL RESISTANT HOSE ASSY 15'	51.95 R
CHEM1-12	EPDM HOSE ASSMY 1" x 12'	46.50 R

PLANTER MANIFOLDS REBOUNDER SEED COVERS

PLMK12, 16 & PLMK24

Wilger style Planter Manifolds for application of starter fertilizer and chemicals.

Six row section shown, Kit includes: 2 or 4 “six row manifolds”, orifices, 1/4” tubing for each row, 30’ 1/2” supply hose, 1/4” push tube outlets.

MOUNTING HARDWARE NOT INCLUDED.

PART#	PLMK12	\$439.95 R
PART#	PLMK16	\$635.00 R
PART#	PLMK24	\$790.00 R



MOUNTING PLATES/LED LIGHTS

MOUNTING PLATE		
PART #	DESCRIPTION	PRICE
TA-H3706	6 Row for CDS-John Blue & Redball Flow Monitors	23.00 NET
TA-H3712	12 Row for CDS-John Blue & Redball Flow Monitors	39.50 NET
TA-IW3706	6 Row for Wilger Flow Monitors	25.50 NET
TA-IW3708	8 Row for Wilger Flow Monitors	33.95 NET
TA-IW3712	12 Row for Wilger Flow Monitors	42.95 NET
TA-IW3716	16 Row for Wilger Flow Monitors	51.95 NET
TA-IW3718	18 Row for Wilger Flow Monitors	56.50 NET
LED LIGHT STRIP		
PART #	DESCRIPTION	PRICE
TA-6RLED	6 Row LED Light Strip w/Plug	27.95 NET
TA-8RLED	8 Row LED Light Strip w/Plug	35.95 NET
TA-12RLED	12 Row LED Light Strip w/Plug	41.75 NET
TA-16RLED	16 Row LED Light Strip w/Plug	51.00 NET
TA-18RLED	18 Row LED Light Strip w/Plug	57.00 NET

REBOUNDER

REBOUNDERS & ACCESSORIES		
PART#	DESCRIPTION	PRICE
REB-02	Super Tough Orange JD	30.00 NET
REB-03	Y-Not Split Kit	5.00 NET
REB-04	Hose Holder Kit	3.00 NET
BCV6	Bullet Check Valve	6.75 NET
W	Wedge	3.00 NET



PLANTER PUMPS FOR FERTILIZER

EVERFLO DIAPHRAGM PUMP



5.5 GPM open flow

Motor: 12 VDC permanent magnet, totally enclosed, non-ventilated

Pump: 5 chamber positive displacement diaphragm pump, self priming, capable of being run dry, demand mode

Inlet/Outlet Ports:1/2" FNPT

PART# EF5500 \$166.00 R



PLPK5.5M

Manual pump kit for application of starter fertilizers and chemicals.

Kit includes: 5.5 GPM pump, strainer, regulator, glycerin gauge, valve, all plumbing, 3/4" inlet, 1/2" outlet, mounting bracket, assembled as shown.

PART# PLPK5.3M \$395.00 R



PLPK5.5E

Electric control pump kit for application of starter fertilizer and chemicals.

Kit includes: 5.5 GPM pump, strainer, valve, all plumbing, 3/4" inlet, 1/2" outlet, 15' gauge tubing for remote gauge mounting bracket, assembled as shown. Need 3BEC control or other electric control.

PART# PLPK5.3E \$345.00 R



MSC30-SSG

Electric Control for Planter Pumps.

25 amp motor control with stainless steel gauge, will work with all electric diaphragm pumps.

PART# MSC30-SSG \$352.00 R

PART# MSC30-DD (Digital) \$380.00 R



WILGER FLOW TUBES & PLANTER MANIFOLD KITS

Easy to see, visual indicator of liquid flow. If one of the “float balls” is lower than the others, there is a blockage. Individual columns clip together so you can gang as many or as few columns as you need. Exclusive O-ring seal and joint clip system is easy to assemble and service. Range of “float balls” lets you match to your flow rate. 3/8”, 1/2” & 3/4” inlet and/or outlet fittings. 100 PSI maximum operating pressure. UV protected material stays clear.



PART#	DESCRIPTION	PRICE
20460-00	FLOW INDICATOR ASSEMBLY with BUNA-N O-RING	24.43 S
20460-02	BALL RETAINER	.70 S
20460-03	O-RING BUNA-N #212	.32 S
20460-04	LOCK U-CLIP, 302SS	1.69 S
20460-05	BALL-FLOW INDICATOR - 1/2", 302SS	1.71 S
20460-06	BALL-FLOW INDICATOR - MAROON GLASS	.82 S
20460-07	BALL-FLOW INDICATOR - RED CELCON	.82 S
20460-08	BALL-FLOW INDICATOR - GREEN POLYPRO	.82 S
20460-10	BALL-FLOW INDICATOR - 7/16", 302SS	1.84 S
20460-13	BALL-FLOW INDICATOR - ORANGE POLYPRO	.82 S
20501-00	ORS x HOSE SHANK - STRAIGHT - 3/8"	3.20 S
20502-00	ORS x HOSE SHANK - STRAIGHT - 1/2"	3.20 S
20503-00	ORS x HOSE SHANK - STRAIGHT - 3/4"	3.20 S
20511-00	ORS x HOSE SHANK - 90 DEGREE - 3/8"	3.20 S
20512-00	ORS x HOSE SHANK - 90 DEGREE - 1/2"	3.20 S
20513-00	ORS x HOSE SHANK - 90 DEGREE - 3/4"	3.20 S
20514-00	ORS x HOSE SHANK - 90 DEGREE - 5/8"	3.20 S
20516-00	ORS MALE x 1/4" PUSH-IN TUBE - 90 DEGREE	5.72 S
20517-00	ORS MALE x 3/8" PUSH-IN TUBE - 90 DEGREE	6.31 S
20518-00	ORS MALE x 1/4" NPF 90 DEGREE	3.20 S
20519-00	ORS MALE x 1/4" NPFT	3.20 S
20520-00	ORS MALE x ORS FEMALE - 90 DEGREE	6.80 S
20521-00	ORS CAP	3.77 S
20522-00	ORS MALE x ORS MALE x ORS FEMALE - TEE	8.57 S
20523-00	ORS MALE x ORS FEMALE x 3/8" NPTF - ISOLATOR TEE	7.16 S
20524-00	ORS MALE x ORS FEMALE x 3/8" NPTF - TEE	7.16 S
20525-00	ORS MALE x ORS MALE x 1" NPTF FE - TEE	8.57 S
20526-00	ORS MALE x ORS MALE x ORS FEMALE - TEE with 1/4" NPTF PORT	8.57 S
21000-00	ORIFICE INSERT ASSY BLANK with SEAL	.82 S
21025-01	ORIFICE INSERT ASSY - 0.025" DIA with SEAL	4.62 S
21055-01	ORIFICE INSERT ASSY - 0.055" DIA with SEAL	4.62 S
21070-01	ORIFICE INSERT ASSY - 0.070" DIA with SEAL	4.62 S
21104-01	ORIFICE INSERT ASSY - 0.104" DIA with SEAL	4.62 S
21250-01	ORIFICE INSERT ASSY - 0.250" DIA with SEAL	4.62 S

Flow Indicator Ball & Metering Orifice Flow Chart



1 Calculate the flow rate required with this formula; $GPM = GPA \times MPH \times \text{Nozzle Spacing in inches}$
5940

2 Combine the flow rates of all nozzles connected to a column.

3 For solutions other than water, find the conversion factor for the weight of the solution in the chart.

4 Multiply the calculated GPM by the conversion factor from the chart.

5 Find the ball and metering orifice for the flow in the charts.

Conversion Factor Chart								
Weight lbs/gallon	7.00	8.34 Water	9.00	10.00	10.65	11.00	12.00	14.00
Specific Gravity	0.64	1.00	1.08	1.20	1.28	1.32	1.44	1.68
Conversion Factor	0.92	1.00	1.04	1.10	1.13	1.15	1.20	1.30

Flow Ball Chart		Flow Range per Column	
PART#	Ball	From	To
20460-08	Green Polypro	0.05	0.18
20460-07	Red Celcon	0.09	0.30
20460-06	Maroon Glass	0.31	0.72
20460-05	1/2" SS	0.40	1.33
20460-10	7/16" SS	1.00	2.70

Flow Metering Orifice Insert Chart													
Part Number Code: 3 Numbers Following 21 Are Orifice Size in 0.000"; -00 for Buna, -V0 Viton													
To install metering orifice, remove ball retainer, insert O'ring end of orifice into ORSM end on outlet fitting.													
Pressure PSI							Pressure PSI						
PART#	5	10	15	20	30	40	PART#	5	10	15	20	30	40
21009-XX	0.004	0.005	0.006	0.007	0.009	0.01	21104-XX	0.48	0.68	0.83	0.96	1.17	1.35
21011-XX	0.006	0.008	0.01	0.011	0.014	0.016	21107-XX	0.52	0.73	0.90	1.04	1.27	1.47
21013-XX	0.008	0.011	0.013	0.016	0.019	0.022	21110-XX	0.55	0.77	0.95	1.09	1.34	1.55
21015-XX	0.010	0.014	0.018	0.02	0.025	0.029	21113-XX	0.58	0.82	1.01	1.16	1.42	1.64
21018-XX	0.015	0.021	0.025	0.029	0.036	0.042	21116-XX	0.61	0.86	1.05	1.22	1.49	1.72
21020-XX	0.016	0.026	0.032	0.037	0.045	0.052	21120-XX	0.63	0.89	1.09	1.26	1.54	1.78
21022-XX	0.022	0.031	0.037	0.043	0.053	0.061	21125-XX	0.69	0.98	1.20	1.39	1.70	1.96
21025-XX	0.028	0.039	0.048	0.056	0.068	0.079	21128-XX	0.72	1.02	1.25	1.45	1.77	2.04
21028-XX	0.035	0.049	0.06	0.069	0.085	0.098	21132-XX	0.78	1.10	1.34	1.55	1.90	2.19
21031-XX	0.043	0.061	0.075	0.087	0.11	0.12	21136-XX	0.84	1.19	1.46	1.68	2.06	2.38
21034-XX	0.052	0.073	0.09	0.10	0.13	0.15	21140-XX	0.89	1.26	1.55	1.79	2.19	2.53
21037-XX	0.061	0.086	0.11	0.12	0.15	0.17	21144-XX	0.93	1.31	1.61	1.85	2.27	2.62
21040-XX	0.072	0.10	0.13	0.14	0.18	0.20	21147-XX	0.95	1.35	1.65	1.90	2.33	2.69
21043-XX	0.082	0.12	0.14	0.16	0.20	0.23	21150-XX	1.02	1.44	1.77	2.04	2.50	2.89
21046-XX	0.095	0.13	0.16	0.19	0.23	0.27	21152-XX	1.05	1.49	1.82	2.10	2.58	2.98
21049-XX	0.10	0.15	0.18	0.21	0.26	0.29	21156-XX	1.10	1.55	1.90	2.20	2.69	3.11
21052-XX	0.12	0.17	0.21	0.24	0.29	0.33	21161-XX	1.16	1.63	2.00	2.31	2.83	3.27
21055-XX	0.13	0.19	0.23	0.27	0.33	0.38	21166-XX	1.21	1.71	2.10	2.42	2.97	3.43
21057-XX	0.14	0.20	0.24	0.26	0.35	0.40	21171-XX	1.33	1.88	2.30	2.66	3.26	3.76
21060-XX	0.16	0.22	0.27	0.32	0.39	0.45	21177-XX	1.41	2.00	2.45	2.83	3.46	4.00
21063-XX	0.17	0.25	0.30	0.35	0.43	0.49	21182-XX	1.47	2.08	2.55	2.95	3.61	4.17
21067-XX	0.20	0.28	0.34	0.39	0.48	0.56	21187-XX	1.56	2.21	2.70	3.12	3.82	4.41
21070-XX	0.22	0.31	0.37	0.43	0.53	0.61	21196-XX	1.73	2.45	3.00	3.46	4.24	4.90
21073-XX	0.23	0.33	0.40	0.47	0.57	0.66	21205-XX	1.87	2.85	3.25	3.75	4.59	5.30
21075-XX	0.25	0.35	0.42	0.49	0.60	0.69	21213-XX	2.02	2.85	3.49	4.03	4.94	5.70
21078-XX	0.27	0.39	0.47	0.54	0.67	0.77	21218-XX	2.11	2.98	3.65	4.21	5.16	5.96
21081-XX	0.29	0.41	0.50	0.58	0.71	0.82	21234-XX	2.45	3.47	4.25	4.61	6.01	6.94
21086-XX	0.33	0.47	0.57	0.68	0.81	0.94	21250-XX	2.83	4.00	4.90	5.86	5.93	8.00
21089-XX	0.35	0.49	0.60	0.69	0.85	0.98							
21091-XX	0.37	0.52	0.64	0.74	0.91	1.05							
21093-XX	0.39	0.55	0.67	0.77	0.95	1.09							

MICRO MATIC COMPONENTS

MACRO VALVE COUPLERS ELIMINATE CONTAINER RINSING AND DISPOSAL.
THE EFFICIENT, CLOSED SYSTEM MINIMIZES EXPOSURE IN LIQUID TRANSFER SYSTEMS.

MACRO VALVE



PART#	DESCRIPTION	PRICE
724-065	VALVE Viton SEALS	348.45 Y
724-067	VALVE EPDM SEALS	341.10 Y

REF#	PART#	DESCRIPTION	PRICE
1	100-615	NVR Spring	6.84 Y
2	724-320	NVR Spring Retainer	14.80 Y
3	102-525	Probe Seal EPDM	5.59 Y
3	102-875	Probe Seal Viton	11.21 Y
4	102-746	O-ring EPDM	3.80 Y
4	102-872	O-ring Viton	5.35 Y
5	102-848	Washer, Nylon	1.26 Y
6	724-106	Thread Adapter Kit	12.32 Y
7	102-553	Main Gasket EPDM	19.80 Y
7	102-874	Main Gasket Viton	31.12 Y
8	724-131	PRV Assy. EPDM	30.32 Y
8	724-133	PRV Assy. Viton	33.60 Y
9	724-102	Handle Hinge Pin	6.84 Y
10	748-100	Pull Handle Assy.	68.45 Y
	3062MB	SEAL KIT EPDM	29.21 Y
	3063MB	SEAL KIT Viton	48.70 Y

ACCESSORIES



MOUNTING BRACKET

PART# CC2302

PRICE: \$52.92 Y



RINSING SOCKET, EPDM

PART# CC2511

PRICE: \$107.75 Y



RINSING SOCKET, EPDM

PART# CC2301

PRICE: \$148.75 Y

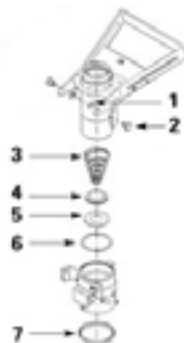
FLEX TUBE ASSY

PART# 743-203

PRICE: \$7.60 Y

PART#	DESCRIPTION	PRICE
743-007	2" BSP, EPDM (fine)	54.35 Y
743-008	2" BSP, Viton (fine)	59.45 Y
743-086	2.5" x 5 Buttress, EPDM	54.35 R
743-087	2.5" x 5 Buttress, Viton	59.45 R

DRUM VALVE



DRUM VALVES		
PART#	DESCRIPTION	PRICE
5073	VALVE VITON SEALS	174.05 Y
744-002	VALVE EPDM SEALS	165.20 Y
744-003	VALVE VITON SEALS	174.05 Y

REF#	PART#	DESCRIPTION	PRICE
1	101-753	Retaining Ring	2.25 Y
2	744-319	Grooved Handle Pin	3.55 Y
3	100-031	Dry Break Spring	2.27 Y
4	744-314	Dry Break Insert	6.03 Y
5	102-073	Probe Seal EPDM	3.55 Y
5	102-074	Probe Seal Viton	13.02 Y
6	102-061	Body O-ring EPDM	3.53 Y
6	102-062	Body O-ring Viton	6.98 Y
7	102-067	Main Gasket EPDM	7.70 Y
7	102-068	Main Gasket Viton	11.72 Y
	3080DV	Seal Kit	29.21 Y

SAFETY EQUIPMENT

DECONTAMINATION KIT

WSK-28

- 1 Draw String Bag
- 1 Gallon Water Bottle
- 1 16oz Eyewash Bottle
- 1 Tyvek Suit
- 1 Pair Tyvek Booties
- 1 Pair 224 Chemical Gloves
- Towels
- 4oz Liquid Suds Soap

\$44.00 NET

WSK-34

- 1 Draw String Bag
- 3 One Gallon Water Bottles
- 1 16oz Eyewash Bottle
- 1 Tyvek Suit
- 1 Pair Tyvek Booties
- 1 Pair 224 Chemical Gloves
- Towels
- 4oz Liquid Suds Soap

\$50.00 NET

NH3 GLOVE



- PART# C85 \$9.00 R
- PART# C85HD \$14.75 R
(HEAVY DUTY)

CHEMICAL GLOVES



PART#	SIZE	PRICE
37-145-10	10 - 13"	3.95 R
37-145-11	11 - 13"	3.95 R
37-165-10	10 - 15"	10.15 R
37-165-11	11 - 15"	10.15 R

NITRILE GLOVES



- PART# V900-M \$15.95 NET
- PART# V900-L \$15.95 NET
- PART# V900-XL \$15.95 NET
- PART# RAVEN-L \$16.95 NET
- PART# RAVEN-XL \$16.95 NET

MECHANIC GLOVES



- PART# MC18-L \$12.00 NET
- PART# MC18-XL \$12.00 NET

TYVEK COVERALLS

DISPOSABLE COVERALLS MADE OF DUPONT TYVEK MATERIAL FOR DURABILITY, ECONOMY AND PRACTICALITY. FULL CUT FOR COMFORT WITH FULL LENGTH ZIPPER AND SHIRT COLLAR.



PART#	SIZE	PRICE
C-XL	XL	10.50 R
C-XXL	XXL	10.50 R
C-XXXL	XXXL	11.75 R
C-XXXXL	XXXXL	11.75 R

FOGLESS SOFTSIDE GOGGLES



PART# 552F \$7.00 R

MECHANIC GLOVES DEERSKIN



- PART# MC22-L \$14.95 NET
- PART# MC22-XL \$14.955 NET

SURVIVAIR DUAL CARTRIDGE RESPIRATOR

DURABLE SILICONE FACEPIECE GUARANTEED TO WITHSTAND FIVE YEARS OF WASHING NEW, IMPROVED YOKE AND HEAD HARNESS DESIGN REDUCES FACEPIECE SLIPPAGE, UNIQUE SLIDING ADJUSTMENT SYSTEM ON HEAD HARNESS KEEPS LOOSE STRAPS SECURE AND OUT OF WEARER'S VISION.



PART#	DESCRIPTION	PRICE
53P71-LAR	RESPIRATOR	43.95 R

MISCELLANEOUS



PART# JETRINSE \$48.95 R

JET RINSE

THE JET RINSE NOZZLE ELIMINATES TRIPLE RINSING OF CHEMICAL CONTAINERS. USE IT ON METAL OR PLASTIC CONTAINERS. THE NOZZLE DIRECTS WATER IN SEVERAL DIRECTIONS TO PROPERLY RINSE THE CONTAINER. CONTAINER RESIDUES THEN GO DIRECTLY INTO THE SPRAY TANK.



TIP CLEANING BRUSH

PART# CP20016-NY \$10.91 S



CALIBRATION CONTAINER

PART# CP24034-PP \$49.23 S

PART# FJ025 (8.5OZ) \$ 6.00 R

PART# FJ200 (64OZ) \$13.00 R

PART# FJ300 (128OZ) \$18.00 R



DENSITY SCALE

PART# FE8000 \$69.00 R

PART# FE8888 \$43.50 R



HOSE CUTTER

PART#	DESCRIPTION	PRICE
KCSS200	Large Hose Cutter	26.95 A
SSB200	Blade Large Cutter	12.95 R
KCT100	Small Hose Cutter	25.85 A
B8983	Blade Small Cutter	12.95 R



BOOSTER CABLES		
PART#	DESCRIPTION	PRICE
BC412	4 Gauge 12' Cables	86.95 NET
BC420	4 Gauge 20' Cables	109.95 NET



TUBE CUTTER

PART#	DESCRIPTION	PRICE
44103218	Tube Cutter	13.95 R
44103219	Blade (5pk)	6.95 R



CABLE TIES			
Part#	Size	Qty	Price
21019C	8"	100	6.75 S
21094C	11-1/2"	100	14.25 S
21046C	14"	100	17.25 S
21092	21"	50	32.50 S
21598	32"	50	28.50 S

AIR TOOL HOSE

PART#	DESCRIPTION	PRICE
AH38100-STB	3/8" ID 100' Blue Oil Resistant	89.95 NET

PLASTIC HOSE CLAMPS



PLASTIC HOSE CLAMPS							
Part#	Min Dia	Max Dia	Price	Part#	Min Dia	Max Dia	Price
HCP1	0.228	0.256	.59 S	HCP10	0.569	0.65	.62 S
HCP1.25	0.269	0.291	.69 S	HCP12	0.616	0.707	.62 S
HCP1.5	0.307	0.342	.59 S	HCP14	0.702	0.801	.68 S
HCP2	0.351	0.394	.61 S	HCP16	0.759	0.848	.68 S
HCP3	0.387	0.44	.61 S	HCP18	0.779	0.899	.68 S
HCP4	0.404	0.452	.61 S	HCP19	0.859	0.989	.68 S
HCP6	0.449	0.511	.62 S	HCP22	0.928	1.072	.71 S
HCP7	0.453	0.546	.62 S	HCP24	0.985	1.135	.71 S
HCP8	0.513	0.586	.62 S	HCP28	1.123	1.296	.71 S

LIGHTS & MISCELLANEOUS

LED WORK LIGHT

Rechargeable 7.4 Volt Lithium-ion Battery. Recharge about 3.5 hours. Run time about 4 hours. Twice the Life of a Ni-Mh Battery. 32 or 62 Bright Non-Glare 80,000 Hour LEDs. 360° Foldable Swivel Hook. Impact proof Housing and Shield. 100-125 Volt AC Charger with LED32 & LED62. 12 Volt DC Vehicle Charger with LED62 only.



PART# LED32 \$46.95 NET

PART# LED62 \$58.95 NET



MEASURING WHEEL
for farm acreage computation
PART# 79MWC \$139.95 NET



FRESH CAB
BOTANICAL RODENT REPELLENT
PART# FRESHCAB \$14.75 A

KESTREL POCKET WIND METER

PART# 1000 \$105.75 A

PART# 2000 \$145.00 A



PART#	DESCRIPTION	PRICE
LT2	PTFE 2oz TUBE	13.05 S
LT4	PTFE 1/4 PINT	27.50 S
TTAPE	TEFLON TAPE 1/2" x 520"	1.50 S
TTAPEW	TEFLON TAPE 3/4" x 520"	2.95 S
RE31780	TRU BLUE 2oz TUBE	11.12 Y
RE31551	TRU BLUE PINT	33.83 Y

PART#	DESCRIPTION	PRICE
RE25790	RECTORSEAL #5 TUBE	7.95 R
RE25631	RECTORSEAL #5 1/4 PINT	14.95 R
RE25551	RECTORSEAL #5 1/2 PINT	21.50 R
RE25431	RECTORSEAL #5 PINT	29.50 R
RE28651	RECTORSEAL #21 1/2 PINT	24.95 R
RE28541	RECTORSEAL #21 PINT	39.50 R

Dig-IT



Don't use your finger to find seeds



INSTEAD use a Dig-IT Seed Finder!



PART# DIGIT \$1.95 NET



AGRICULTURAL WINDSOCK KIT

Calibrated to indicate windspeeds from 2 to 12 miles per hour. (windssock, 30" pole, brackets, wareware)

PART# AGW-100 \$64.50 NET
Replacement Sock

PART# AGW-100R \$52.00 NET



WINDSOCK KIT

PART# AWCK-10 \$90.70 NET
Replacement Sock

PART# AWCS10-36 \$35.00 NET

GARDEN & HAND SPRAYERS



MASTER GARDENER -Rechargeable Sprayer

FEATURES:

- * Rechargeable 12 Volt Battery
- * 2 Hour Run Time on Single Charge
- * Front Mounted Nozzle with 50" Swath
- * 18' Vertical and 20' Horizontal Spray
- * Includes Hitch Bar for Towing
- * 12" Wheels
- * 9 Gallon Tank
- * Ideal for Applying Insecticides & Herbicides

PART# PS9 \$285.00 Y

8.0 Liter Hand Sprayer

- *Lightweight and Easy to Use
- *Handle-Action Piston Pump
- * Single Conical Spray Tip
- * Large Mouth for Easy Filling
- * Pressure Relief Valve
- * Ergonomic Handle

PART# HS-80 \$28.00 R

1.2 Liter Hand Sprayer

- *Lightweight and Easy to Use
- *Handle-Action Piston Pump
- * Single Conical Spray Tip
- * Large Mouth for Easy Filling
- * Pressure Relief Valve
- * Ergonomic Handle

PART# HS-12 \$10.00 R



The Green Weeder

Use the Green Weeder to effectively wipe out intrusive plants or weeds. The sponge design retains your desired solution until contact with plant or weed. Easily connect our unique wand design to your existing backpack or handheld sprayer with a 1/4" or 3/8" hose.

PART# GW1 \$95.00 Y



3', 4' & 6' Weed Roller

FEATURES:

- * Full-Drain Tru-Kleen Tank
- * Adjustable Hitch or Handle
- * Direct application on plants
- * Pneumatic transport tires
- * Single master shut-off valve

PART# WR36 \$329.00 NET

PART# WR48 \$499.00 NET

PART# WR72 \$715.00 NET

Red Weeder

- * Safer than spraying
- * Easier than hoeing
- * No spray drift
- * No overspray
- * Wipe directly on weed

Replacement caps, gaskets and socks available.

PART# RW1 \$39.99 Y



TORPEDO HITCH & MISC

THE ANDERSON TORPEDO HITCH

MAKES HOOKING UP TO ANY EQUIPMENT:

- * EASY
- * SPEEDY
- * EFFICIENT
- * LABOR SAVING
- * SAFE

- AVAILABLE IN:
- * 12VOLT ELECTRIC
 - * HYDRAULIC



- HEAVY DUTY HYDRAULIC
AND/OR ELECTRIC:
- * FREE WHEEL
 - * 25' 5/16" AIRCRAFT CABLE

PART #	DESCRIPTION	PRICE
ATH-HE	12 VOLT ELECTRIC TORPEDO HITCH UNIVERSAL MOUNT	2,385.85 NET
ATH-HH	HYDRAULIC TORPEDO HITCH UNIVERSAL MOUNT	2,560.85 NET
60410100	TORPEDO HITCH HYDRAULIC 9000 LBS.	2,805.75 NET
38626	SWITCH-WINCH ATH-HE	200.00 NET

HEAVY DUTY HITCH PINS

THE ORIGINAL RED PLASTIC COATED HEAD & HANDLE.
HEAT TREATED, HIGH TENSILE STEEL FOR USE WITH TODAY'S
HEAVY EQUIPMENT. CLIP INCLUDED.



PART #	SIZE	LENGTH	PRICE
HR34	3/4"	6-3/4"	7.95 R
HR34-12	DOZEN 3/4" PINS	6-3/4"	85.00 R
HR78	7/8"	6-3/4"	11.75 R
HR78-12	DOZEN 7/8" PINS	6-3/4"	130.00 R
HR100H	1"	7-1/2"	14.95 R
HR100-12	DOZEN 1" PINS	7-1/2"	159.75 R
HR09	REPLACEMENT CLIP		.43 R

RATCHET STRAPS

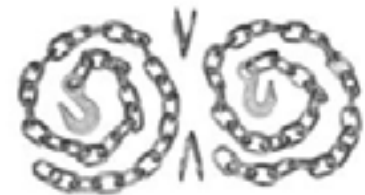


CHOICE OF 1" x 20' MINI STRAP OR 2" x 27' 500# STRAP.
NYLON BELTING FOR STRENGTH
BOTH HAVE HOOKED ENDS FOR EASY FASTENING.

PART# RS-1 \$15.75 R

PART# RS-2 \$29.75 R

SAFETY CHAINS



SAFETY CHAIN ASSEMBLY INCLUDES: 2-3'
LENGTHS OF 1/4" 1300# WORKING LOAD
GRADE 30 PROOF COIL CHAIN ONE END HAS
A GRAB HOOK AND THE OTHER END HAS AN
ATTACHMENT RING TO EITHER WELD OR
BOLT TO THE WAGON POLE.

PART# CHAINKIT \$85.00 R

Assemblies



PART# 3002A-1
CHEMICAL TANK MOUNT AIR REGULATOR
TO BE USED WITH PORTABLE AIR TANK OR
CUSTOMER SUPPLIED AIR.



PART# 3024MG
MACRO VALVE
MACRO COUPLER CAN BE USED WITH AIR
PRESSURE OR PUMP (WHEN AIR FITTING
OR REPLACED BY THE FILTER). COVERS
MOST CHEMICALS. BE SURE TO MATCH
THE COUPLER GASKET COLOR TO THE
TANK EXTRACTOR GASKET COLOR.



PART# 3050
TWIN AIR
USE WHEN OPERATING TWO CHEMICAL
TANKS WITH ONE REGULATOR.



PART# 3012E (3/8")
PART# 3012 (1/2")
METERING BALL VALVE
USED TO ACCURATELY METER CHEMICAL
INTO AUGER.



PART# 3017
INLINE LIQUID STRAINER
USE AS INLINE SCREEN TO FILTER OR MIX
PRODUCTS.

CALL FOR PRICING

CONCORD AIR TRAM SYSTEM



Tramline Details

What are tramlines?

Air Tram is the key to your Intensive Crop Management Program. This innovation system easily adapts to your air seeder to help you manage your crop. You will see increased yields from more accurate and timely applications of your chemicals and fertilizers. With the Air Tram system, you lay out a network of tracks for your sprayer to follow. The Air Tram system is mounted on your air seeder and diverts seed to the next row to create tracks to match up with your sprayer. The unit is automatic and can be programmed. The tracks that are created are known as tramlines. Follow the tramlines while spraying to apply a precise application of chemicals and fertilizers.

Who can benefit?

- *Any cereal crop or oilseed producer who is committed to developing and improving their crop management program.
- *Any farmer who fights weeds and wishes to produce healthier crops.
- *Environmentally-minded farmers who want to preserve their soil and their local water supply.

CALL FOR PRICING



Nitro-Bars maximize your fertilizer investment! With every drop, you will increase yields and efficiency. Used with the Air Tram Tramline system, Nitro-Bars enable growers to accurately and uniformly apply nitrogen with unparalleled accuracy.

Highly Accurate

The simple and effective design allows each of the four ports to be fed independently, ensuring equal flow to each port.

Easy and Quick to Assemble

Easy setup to industry-standard 20-inch nozzle spacing on sprayers. They can be fitted to your sprayer in minutes!

Unaffected by Boom Height or Movement

The vertical stream produced means no overlapping pattern.

Reduced Risk of Leaf Burn

Fertilizer contact with the crop is minimized by the configuration of the Nitro-Bars and by the large droplets produced at the leaf surface. Fertilizer rolls off the foliage quickly, virtually eliminating the risk of leaf burn.

Adaptable for All Application Rates

Five color-coded, quick-fit adapters are available to encompass flow rates from 5 to 80 gallons per acre.

NITRO-BAR



PART #	DESCRIPTION	PRICE
1040739	NITRO-BAR W/O-RING	9.00 P
1040753	ADAPTER TEEJET (ORANGE)	4.00 P
1040740	ADAPTER TEEJET (RED)	4.00 P
1040741	ADAPTER TEEJET (BLUE)	4.00 P
1040742	ADAPTER TEEJET (YELLOW)	4.00 P
1040743	ADAPTER TEEJET (GREEN)	4.00 P
1040744	ADAPTER HARDI (RED)	7.50 P
1040749	ADAPTER HARDI (BLUE)	7.50 P
1040750	ADAPTER HARDI (YELLOW)	7.50 P
1040751	ADAPTER HARDI (GREEN)	7.50 P
1040733	O-RING (FOR NITRO-BAR)	.30 P

DEF TANKS, PUMPS HOSE, NOZZLES & ACCESSORIES



FEATURES:

- * All poly and stainless steel construction for DEF compatibility
- * 18 Feet of electrical cable with battery clips
- * Fully enclosed lockable pump compartment for security and protection
- * 9 GPM pump
- * Molded in handles for easy lifting
- * No Rust
- * Lightweight Robust design
- * 18 feet of 3/4" flexible hose with auto shutoff nozzle for controlled dispensing

PART#	DESCRIPTION	DIMENSIONS	PRICE
DEFC2512V9	25 Gallon	31" x 27" x 19"	1,421.68 Y
DEFC5512V9	55 Gallon	31" x 27" x 29"	1,490.00 Y
DEFN7512V9	75 Gallon	51" x 21" x 34"	1,542.00 Y
DEF10012V9	100 Gallon	48" x 34" x 31"	1,632.83 Y

DEF DISCHARGE HOSE

PART#	DESCRIPTION	PRICE
DEF34	3/4" Hose (Bulk/Per Foot)	6.35 R
DEF34-12	DEF 3/4" x 12' Assembly, 3/4" MNPT	80.00 NET

DEF DURA-METER



- * 100% Moisture-sealed circuitry makes meter impervious to water intrusion
- * Meter calibrated for DEF
- * Same great menu driven backlit display
- * Plumbed for both in-line and 90 degree applications
- * Features 2 Year Service Warranty plan

PART# DP-3000D \$275.00 Y

DEF TANKS, PUMPS HOSE, NOZZLES & ACCESSORIES

DEF Easy-Caddy



The DuraPump DEF Easy-Caddy Frame Assembly provides the ability to quickly attach the pump system to the frame of the IBC/cage tank. The system includes a 3/4" x 15' EPDM discharge hose, 3/4" x 18" EPDM suction hose, 2" cam lock, with hose barbs and hose clamps, and a manual dispensing nozzle.

MANUAL Nozzle		PRICE	AUTOMATIC Nozzle		PRICE
DEFE-2512ME	12 Volt	995.00 A	DEFE-2512AE	12 Volt	945.00 A
DEFE-2515ME	110 Volt	850.00 A	DEFE-2515AE	110 Volt	955.00 A

DEF Dura-Meter DP-3000D sold separately

DEF Top Unload

The DuraPump DEF Top Unload allows for the pump to be vertically threaded into a standard 2" NPT bung. Included is a telescoping dip tube, 3/4" x 12' EPDM discharge hose with hose barbs and hose clamps, and nozzle.



With RSV Coupler					
MANUAL Nozzle		PRICE	AUTOMATIC Nozzle		PRICE
DEFT-2412ME	12 Volt	850.00 A	DEFT-2412AE	12 Volt	1,045.75 A
DEFT-2415ME	110 Volt	870.00 A	DEFT-2415AE	110 Volt	1,055.00A

Without RSV Coupler					
MANUAL Nozzle		PRICE	AUTOMATIC Nozzle		PRICE
DEFT-2012ME	12 Volt	725.00 A	DEFT-2012AE	12 Volt	920.00 A
DEFT-2015ME	110 Volt	740.00 A	DEFT-2015AE	110 Volt	935.00 A

PUMP ONLY



- * High-Flow pump with up to 15GPM free flow rate and 10+GPM with 3/4" discharge hose and nozzle
- * Self-priming diaphragm pump with internal bypass to protect from being run dry
- * Motor thermally protected from overheating
- * 30 minute duty cycle
- * Suction ports both male and female threads - no adapters needed
- * Pump is easily field serviceable with all parts readily available
- * Features 2 Year Service Warranty plan

PART# DEF-2012E 12 Volt \$710.00 Y

PART# DEF-2015E 110 Volt \$730.00 Y

DIESEL TANKS, PUMP HOSE, NOZZLES & ACCESSORIES



FEATURES:

- * Tank manufactured from specifically formulated diesel grade polyethylene
- * Strong poly lid to protect pump compartment
- * Splash resistant breather installed
- * 10 GPM pump with ON/OFF switch
- * Bypass valve integrated in pump body
- * 3/4" auto shut off nozzle
- * Hose swivel to prevent tangles
- * 15 feet of 3/4" hose with anti kink spring
- * Easy clean suction strainer
- * 3/4" drain bung on tank
- * Nozzle lock plate

PART#	DESCRIPTION	DIMENSIONS	PRICE
DT25	25 Gallon	31" x 27" x 19"	796.43 Y
DT55	55 Gallon	48" x 34" x 21"	898.93 Y
DT75	75 Gallon	51" x 21" x 31"	929.68 Y
DT100	100 Gallon	48" x 34" x 31"	957.00 Y

FUEL TRANSFER HOSE



FEATURES:

- * Designed for use w/12 or 110 Volt "Electric Pumps"
- * Dispense Gasoline, Diesel Fuel and Kerosene
- * High Quality Nitrile Tube
- * Nitrile/PVC Blend Cover
- * Braided Stainless Steel Static Wire is Embedded Between Hose Tube and Cove

PART#	SIZE	PRICE
FA34-12	3/4" x 12'	33.50 A
FA34-15	3/4" x 15'	39.50 A
FA34-20	3/4" x 20'	55.65 A
FA1-15	1" x 15'	54.95 A
FA1-20	1" x 20'	74.95 A

FUEL NOZZLES



PART#	DESCRIPTION	PRICE
DN100	Diesel Nozzle	75.95 A
GN34	Gas Nozzle	51.75 A
UN34	Unleaded Nozzle	52.95 A

FUEL TRANSFER PUMPS



Model: FR1210G

12V DC, 15 GPM heavy duty, cast-iron, rotary vane fuel transfer pump. Designed for gasoline, diesel, biodiesel up to B20, E15, kerosene and mineral spirits. Includes pump, 3/4" manual nozzle, 3/4" x 12' hose with static ground wire, 18' battery cable, and 20"-34" steel telescoping suction pipe. UL/cUL, ATEX, CE motor. Two-year warranty.

Features & Benefits:

- * Up to 15 GPM
- * 1/4 HP motor
- * UL/cUL listed motor
- * Compatible with Diesel, Gasoline, Kerosene, E15, Biodiesel up to B20
- * 2 year warranty
- * 2" threaded base for tank mounting
- * Heavy duty cast iron construction
- * Cast bronze rotor with bronze rotary vanes
- * Built-in strainer
- * 12' hose with static wire
- * Replaces FR1210C



Fill-Rite 12 Volt DC Transfer Pump		
PART#	DESCRIPTION	PRICE
FR1210G	Pump with manual nozzle	494.00 Y



Well known FILL-RITE® fuel transfer pumps meet your stationary and mobile fuel transfer pump needs. See our full line of pumps to find the best pump for your needs.

Model: FR4210G

12V DC, 20GPM heavy duty, cast-iron, rotary vane fuel transfer pump. Designed for gasoline, diesel, biodiesel up to B20, E15, kerosene and mineral spirits. Includes pump, 1" manual nozzle, 1" x 12' hose with static ground wire, 18' battery cable, and 20"-34" steel telescoping suction pipe. UL/cUL, ATEX, CE motor. Two-year warranty.

Features & Benefits:

- * 20 GPM (76 LPM)
- * UL listed motor
- * Heavy duty cast iron
- * Compatible with Diesel, Gasoline, Kerosene, E15, Biodiesel up to B20
- * 2 year warranty
- * 2" threaded base for tank mounting
- * Heavy duty cast iron construction
- * Cast bronze rotor with bronze rotary vanes
- * Built-in strainer
- * 1" x 12' hose with static wire
- * Manual nozzle
- * Replaces FR4210D



Fill-Rite 12 Volt DC Transfer Pump		
PART#	DESCRIPTION	PRICE
FR4210G	Pump with manual nozzle	609.00 Y

CONTINENTAL VERTICAL DAM DISTRIBUTION MANIFOLDS



PART#	DESCRIPTION	PRICE
A-MVD	MANIFOLD	385.00 R
A-SVD	SEPARATOR	500.00 R



The vertical dam distribution manifold system addresses the problem of even distributing across that entire swath width, anhydrous ammonia, by its very nature as a mixture of vapor and liquid when it leaves the nurse tank and enters the metering system. For example, tests demonstrate that at 15# of manifold pressure, you could have a resulting vapor volume of 80% to 90%. This vapor wreaks havoc with distribution. One manifold port may be blocked while the next port gets mostly liquid. The net result is that some rows of your field may get too much ammonia while others get next to nothing. The vertical dam concept (patent pending) temporarily separates a substantial amount of vapor from the liquid. This gives the liquid a chance to evenly distribute to each orifice before the separated vapor rejoins it through individual vapor orifices. In this way, the vapor villain is effectively neutralized and an even distribution to each applicator hose is greatly enhanced.

The function of the A-MVD manifold is to separate the vapor from the liquid in order to allow the liquid to divide evenly across the entire swath.

The function of the A-SVD separator is to divide the metered ammonia into 3 to 5 outlets. This eliminates the long and cumbersome length of applicator hoses. It works in the same manner as the A-MVD manifold.

NH3 TUBES & KNIVES

LINDSAY

FC-02

FOR USE BEHIND TILLAGE SPIKE OR SWEEP ON FIELD CULTIVATOR. 3/8" OD PINCHED AND DRILLED TUBE x 12" LONG. MOUNTING BRACKET HAS 9/16" HOLE PUNCHING WITH ADJUSTABLE HOLE CENTERS.

PART#	DESCRIPTION	PRICE
FC-02	3/8" CULTIVATOR	17.50 R
CP-02	3/8" CHISEL	17.95 R

CP-02

FOR USE BEHIND TILLAGE SPIKE OR SWEEP ON CHISEL PLOW. 3/8" OD PINCHED AND DRILLED TUBE x 13" LONG. MOUNTING BRACKET HAS 9/16" HOLE PUNCHING WITH ADJUSTABLE HOLE CENTERS.

SELF-CLEARING



PART#	DESCRIPTION	PRICE
CPI	CHISEL TUBE 3/8"	24.50 R
FCI	CULTIVATOR TUBE 3/8"	19.50 R
CPI-1	CHISEL TUBE 1/2"	24.50 R



CP65

HEAVY FOOTED KNIFE FOR CHISEL PLOW APPLICATION. 2" TOP WIDTH MATCHES TO SHANK. 1/2" OVERALL LENGTH. 1/2" HOLE PUNCHING, 2-1/4" TO 2-1/2" HOLE CENTERS. USE 1/2" x 2-1/2" HEX HEAD BOLTS.



CP70

THIN PROFILE TWISTED KNIFE FOR CHISEL PLOWS. 14" OVERALL LENGTH. 1/2" HOLE PUNCHING, 2-1/4" HOLE CENTERS. USE 1/2" x 2-1/2" HEX HEAD BOLTS.



DT4

THIN PROFILE TWISTED KNIFE FOR FIELD CULTIVATORS. 11-1/2" OVERALL LENGTH. 7/16" HOLE PUNCHING, 1-5/8" TO 2" HOLE CENTERS. USE 7/16" x 1-3/4" HEX HEAD BOLTS.

PART#	DESCRIPTION	PRICE
CP65	CHISEL, PLAIN	39.50 R
CP65HS	CHISEL, HARDFACED	59.50 R
CP65-1/2	PLAIN W/1/2" TUBE	49.00 R
CP65HS-1/2	HARD SURFACED W/1/2" TUBE	62.50 R

PART#	DESCRIPTION	PRICE
CP70	TWISTED CHISEL, PLAIN	36.50 R
CP70HS	TWISTED CHISEL, HARDFACED	52.50 R
CP70-C14	TWISTED CHISEL, W/INSERT	53.75 R
CP70-1/2	PLAIN W/1/2" TUBE	38.50 R
CP70HS-1/2	HARD SURFACED W/1/2" TUBE	58.50 R

PART#	DESCRIPTION	PRICE
DT4	TWISTED CULT, PLAIN	23.50 R
DT4HS	TWISTED CULT, HARDFACED	37.75 R
DT4-1/2	PLAIN W/1/2" TUBE	38.75 R
DT4HS-1/2	HARD SURFACE W/1/2" TUBE	51.75 R



DT3

DEVELOPED FOR 1-1/4" WIDE SHANKS ON FIELD CULTIVATORS 10-1/2" OVERALL LENGTH, 7/16" HOLE PUNCHING, 1-3/4" TO 2" HOLE CENTERS. USE 7/16" x 1-3/4" HEX HEAD BOLTS.

PART#	DESCRIPTION	PRICE
DT3	CULTIVATOR, PLAIN	28.75 R
DT3HS	CULTIVATOR, HARD SURFACED	38.75 R

VAPOR DUMP TUBE



USE ON SYSTEMS REQUIRING VAPOR DUMPING SUCH AS DICKEY-JOHN OR RAVEN NH3 SYSTEMS.

PART#	DESCRIPTION	PRICE
45790-3340	DICKEY-JOHN DUMP TUBE 3/4"	28.30 R
214-0002-002	RAVEN DUMP TUBE 3/4"	14.75 R

NH3 PARTS & ACCESSORIES

PART #	MALE PIPE THREAD	ACME THREAD	LENGTH	MFG	PRICE
A-521-B	1"	1-3/4"	3-3/4"	CONTINENTAL	60.00 R
A-5770	1-1/4"	2-1/4"	4	SQUIBB	215.00 R

PART #	MALE PIPE THREAD	ACME THREAD	LENGTH	MFG	PRICE
A-1131-F	1"	1-3/4"	6"	SQUIBB	115.75 R
A-571-B	1"	1-3/4"	6"	CONTINENTAL	115.75 R
A-1132-F	1-1/4"	2-1/4"	6-3/4"	SQUIBB	245.75 R
A-577-C	1-1/4"	1-3/4"	6"	CONTINENTAL	199.50 R



MALE ACME X MALE NPT ADAPTER

PART #	DESCRIPTION	PRICE
M521-4	1 3/4" Male Acme x 1/2" MPT	135.00 R
A524A	1 3/4" Male Acme x 1/2" MPT	47.50 R
A254	1 3/4" Male Acme x 3/4" MPT	47.50 R
A524B	1 3/4" Male Acme x 1" MPT	35.75 R
A524C	1 3/4" Male Acme x 1 1/4" MPT	39.95 R
M522-16/10	2 1/4" Male Acme X 2" MPT	152.50 R
M263	3 1/4" Male Acme x 2" MPT	175.50 R
M523-24	3 1/4" Male Acme x 3" MPT	295.00 R
A2059	2 1/4" Male Acme x 1" MPT	115.07 R
A2060	2 1/4" Male Acme x 1 1/4" MPT	125.95 R



MALE ACME X FEMALE NPT ADAPTER

PART #	DESCRIPTION	PRICE
M526-6	1 3/4" Male Acme x 3/4" FPT	48.15 R
M526-8	1 3/4" Male Acme x 1" FPT	85.45 R
M528-16	3 1/4" Male Acme x 2" FPT	185.75 R
M528-24	3 1/4" Male Acme x 3" FPT	275.75 R



MALE ACME X MALE ACME ADAPTER

PART #	DESCRIPTION	PRICE
A2005	1 3/4" Male Acme x 1 3/4" Male Acme	105.75 R
M536-18	2 1/4" Male Acme x 2 1/4" Male Acme	157.50 R
M536-26	3 1/4" Male Acme x 3 1/4" Male Acme	195.00 R

ACME COUPLINGS



ACME SAFETY COUPLINGS



ADAPTER CAP

PART #	DESCRIPTION	PRICE
LP-ME6125	3 1/4" Female Acme x 1 3/4" Male Acme	255.00 R
A582	2 1/4" Female Acme x 1 3/4" Male Acme	165.75 R

CAPS & CHAINS



PART #	DESCRIPTION	PRICE
M432	Metal Cap 2 1/4" Acme	145.00 R
M443	Metal Cap 3 1/4" Acme	195.00 R
P167	Chain Assembly	12.75 R
M219-1	Metal Cap & Chain 1 3/4" Acme	68.50 R



PART #	DESCRIPTION	PRICE
A2080C	Dust Cap w/Chain for 1 3/4" Acme Thread Plastic	9.40 R

HOSE HANGER ADAPTER



CAUTION:

If using as plug be certain that coupling & valve have been bled before removal. Not leak proof.

PART #	DESCRIPTION	PRICE
A524WB	Parking Plug 1 3/4" Acme	28.50 R
A2024	Parking Plug 2 1/4" Acme	84.50 R

NH3 PARTS & ACCESSORIES

PIONEER BREAKAWAY COUPLERS

POPPET TYPE VALVES ASSURE POSITIVE SHUT-OFF. STEEL BODY MATERIAL, BUNA-N O-RING, POPPET SEAL IS NEOPRENE, CADMIUM PLATED FINISH. UL APPROVED FOR ANHYDROUS AMMONIA IN ACCORDANCE WITH OSHA REGULATIONS. UL APPROVAL IS VOIDED IF COUPLER IS SERVICED OR REBUILT IN THE FIELD. MANUFACTURERS SUGGESTS REMOVAL AFTER 3 YEARS.

1" PIONEER BREAKAWAY COUPLER

INCLUDES ACME ADAPTER, BRACKET AND BLEEDER VALVE. BRACKET AND COUPLER CANNOT BE PURCHASED SEPARATELY. COUPLER WILL NOT FIT BRACKET PURCHASED BEFORE 1984.



PART#	DESCRIPTION	PRICE
4500-6M	1" Coupler complete	495.75 R
4510-6M	1" Male Tip w/Acme	149.50 R
4555-6	1" Female Assy w/Bracket	375.50 R
4503-6	1" Double Swivel Bracket	95.75 R

1-1/4" PIONEER BREAKAWAY COUPLER

PROVIDES MORE THAN 15% ADDITIONAL FLOW POTENTIAL COMPARED TO 1" COUPLER. CAN BE ADAPTED TO 1" ACME ADAPTER SEPARATELY. INCLUDES BRACKET AND BLEEDER VALVE. BRACKET AND COUPLER CANNOT BE PURCHASED SEPARATELY.



PART#	DESCRIPTION	PRICE
4500-7	1-1/4" Coupler Complete	695.75 R
4510-7B	1-1/4" MLT Tip x 1-1/4" FPT	195.75 R
4503-7	1-1/4" Double Swivel Bracket	117.50 R
A524C	Adapter - 1-3/4" M Acme x 1-1/4" MPT	39.95 R

4510-6



4510-7B



PART#	DESCRIPTION	PRICE
4510-6M	1" Male Tip w/Acme	149.50 R
4510-6	1" Male Tip w/FPT	115.75 R
4510-7B	1-1/4" Male Tip	195.75 R



A 1000 NEEDLE VALVE IS DESIGNED FOR USE IN AMMONIA TANKS TO PROVIDE A SHUT-OFF FOR THE PRESSURE GAUGE. ITS PURPOSE IS TO ALLOW THE OPERATOR TO REMOVE THE GAUGE FOR REPAIR OR REPLACEMENT WITHOUT EVACUATING THE TANK. IT CAN ALSO BE USED ON AN APPLICATOR TO SHUT-OFF THE FLOW TO ONE OR MORE KNIVES.

PART# A-1000 \$108.75 R

THE A-1415 RELIEF MANIFOLD IS USED ON LARGE NH3 TANKS TO ALLOW REMOVAL OF A RELIEF VALVE FOR INSPECTION OR REPLACEMENT WITHOUT THE NEED OF EVACUATING THE TANK. ADEQUATE RELIEF PROTECTION IS PROVIDED BY THE REMAINING RELIEF VALVE IN THE MANIFOLD. BLEEDER VALVES RELIEVE VAPOR PRESSURE UNDER EACH RELIEF AFTER CLOSING THE MANIFOLD PORT AND EACH PORT CAN BE CLOSED SEPARATELY, MEETING CODE REQUIREMENTS.

PART# A-1415-A \$1,575.00 R **PART# A-1415 \$1,175.00 R**
 PRICE INCLUDES (2) A1310A RELIEF VALVES MANIFOLD ONLY



3/4" VAPOR RELIEF



1-1/4" VAPOR RELIEF



PART#	DESCRIPTION	PRICE
A1301A	3/4" Vapro Relief Valve	69.50 R
A1310A	1-1/4" Vapor Relief Valve	295.00 R

VAPOR RELIEF VALVES ARE SAFETY VALVES DESIGNED TO OPEN WHEN TANK PRESSURE RISES ABOVE 250 PSI. USED ON APPLICATOR, STORAGE AND NURSE TANKS. RELIEF VALVES SHOULD BE REPLACED 5 YEARS AFTER THE DATE OF MANUFACTURE WHICH IS STAMPED ON THE VALVE.



THE BLEEDER VALVE HAS A T-HANDLE AND IS DESIGNED TO BLEED-OFF TRAPPED LIQUID OR VAPOR NH3 IN HOSE, VALVE COUPLINGS & PIPING. ALSO FOR INSTALLATION IN TANKS AN 85% LIQUID LEVEL GAUGE. A-410 IS THE SAME VALVE WITH A 12" DIP TUBE FACTORY INSTALLED.

PART#	DESCRIPTION	PRICE
A411	1/4" Bleed Valve	19.75 R
A410	1/4" Bleed Valve w/12" dip tube	55.75 R

HYDROSTATIC RELIEF VALVES ARE DESIGNED TO RELIEVE LIQUID PRESSURE IN VALVES, HOSES OR PIPING WHERE LIQUID MAY BE TRAPPED. PRESSURE SET AT 375 PSI. NOTE: ALL SAFETY RELIEF AND HYDROSTATIC VALVES MUST BE CHANGED 5 YEARS AFTER THE DATE OF MANUFACTURE.

PART# A400 \$48.50 R



ACTUATORS



EH3 Actuator

KEY FEATURES:

- NEMA 6P rated waterproof
- NEMA 7D rated ignition safe
- Solid-state components
- Cycle 1/4" to 1"
- Compact design
- Valve sizes 1/4" to 1"
- 12/24 volt DC & 24 volt AC
- Weight 2 lbs.



EH2 Actuator

KEY FEATURES:

- NEMA 6P rated waterproof
- NEMA 7D rated ignition safe
- Solid-state components
- Cycle 3/4" to 3" valves
- Mid-size design
- Valve sizes 3/4" to 3"
- 12/24 volt DC & 24 volt AC
- Weight 4 lbs.

EH3 SERIES SQUARE 4" CASE				
PART#	OLD#	DESCRIPTION	MANUFACTURER CODE	PRICE
10D20-P01	000-60A-M	Actuator, 12 volt DC motor, on/off, 0.8 second cycle time, 3-wire/3-pin plug	AG, AP, HA, JD, RO, SC, WI	650.00 S
K0EQS-P01	000-50K-Q	Actuator, 12/24 volt DC motor, regulating, 7.0 second cycle time, 2-wire/2-pin plug		750.00 S
EH2 SERIES "L" SHAPED CASE				
PART#	OLD#	DESCRIPTION	MANUFACTURER CODE	PRICE
10DZ0-PF1	000-60A-Z	Actuator, 12 volt DC motor, on/off, 0.5 second cycle time, 3-wire/3-pin plug	AG, MT, SC, WI	1,225.00 S
10DY0-PF1	000-60A-Y	Actuator, 12 volt DC motor, on/off, 1.5 second cycle time, 3-wire/3-pin plug	AG, MT, SC, WI	1,225.00 S
K0HW0-PF1	000-50K-W	Actuator, 12/24 volt DC motor, geulating, 3.0 second cycle time, 2-wire/2-pin plug	MT	1,225.00 S
K0HU0-PF1	000-50K-U	Actuator, 12/24 volt DC motor, regulating, 7.0 second cycle time, 2-wire/2-pin plug	AG, CH, MT, SC, WI	1,310.00 S

Manufacturer Code:

AG=AGCO, AP=APACHE, CH=CASE, HA=HAGIE, JD=JOHN DEERE,
MT=MID-TECH, RO=ROGATOR, SC=SPRAY COUPE, WI=WILMAR



SEED EXPRESS 375DX

FEATURES:

- ❏ 180° Swing-most variable conveyor available
- ❏ AutoConveyor™
- ❏ 6"-8" Conveyor with 8" Cleated Belt
- ❏ Variable speed Remote Control
- ❏ Uni-body design
- ❏ Self-filling conveyor
- ❏ Telescoping arm
- ❏ Independent Support Structure
- ❏ Bolt-on Hitches
- ❏ Quick Connect Conveyors



SEED EXPRESS 240BWT

FEATURES:

- ❏ 180° Swing-most variable conveyor available
- ❏ Ultimate Reach Conveyor™
- ❏ 8" Conveyor with 12" Cleated Belt
- ❏ Conveyor transfer volume estimated at 1500#/min
- ❏ Variable speed-control your flow
- ❏ Two separate compartments
- ❏ Rolled tarp
- ❏ 9 HP Electric start Honda gas engine
- ❏ Rubber lined hood
- ❏ Scale with digital readout

The Swing

The Speed

The Gentleness



180 degree Swing gives you the most flexibility to fill your planter or drill from position left, right or rear.



Low Speed/High Volume
We reached industry standard specs, set at 350 ft./min belt speed, with amazing flows of 900 lb/min.



Cleated Belt Technology with gentle tapered cleats that conform to the tube gently carries the seed, with no roll back, rather than propelling it as traditional conveyors do.

CALL FOR SIZES & PRICING

SEED EXPRESS 800 & 1050



STANDARD FEATURES:

- * Wired 2-Feature Hydraulic Control Switch
- * Hydraulic Shut Off Gates
- * Articulating Swing Conveyor
- * Hydraulic Raise/Lower
- * Hydraulic Conveyor or Start/Stop/Variable Speed Setting
- * Wireless 5 Function Remote Control

CALL FOR PRICING

STORAGE POD



FUNCTIONS:

- * **Easy to use** and innovative designs offer effortless operation and security
- * **Vertical Slide Gate** - Weather tight shrouded vertical gate with view glass. The vertical gate is operated by a gear drive and a crank handle. The Gate to Ground clearance is 31-1/4" offering ample clearance for many unloading methods.
- * **Mechanical Drive Roll Back Lid** - Weather tight with rubber securement latch and an easy to open chain drive operated conveniently from the ground. The lid offers a large opening to fill the **Seed Master 400** to its full operating volume without hassle.

STANDARD FEATURES:

- * Weather tight chain drive roll lid
- * Legs are two positioned, lowered for transport or raised for on-site use
- * All steel components are power coated or constructed of rust resistant material
- * Inspection ladder
- * Additional to hold - a small foot hold area offers a safe and secure way to compartment inspection if desired
- * View glass - 3 view glasses for easy to see compartment inspection
- * Weather tight document tube
- * Fork Pockets for Pod placement and easy loading & unloading
- * Warranty - 1 year free from defect in material or workmanship from the date of shipment & 5 years on the paint finish

BELT CONVEYOR



BELT CONVEYOR STANDARD FEATURES:

- * THE UNITS FEATURE A DURABLE POWDER COAT FINISH, THE MAIN HOUSING FEATURES A GALVANIZED FINISH FOR MAXIMUM DURABILITY.
- * CAPACITIES RANGE FROM 3,000 BPH TO 6,000 BPH DEPENDING ON ELEVATED ANGLE.
- * BELT CONVEYOR SYSTEM PROVIDES GENTLE HANDLING AND HIGHER CAPACITY THAN THE SAME SIZE SCREW CONVEYOR.
- * 10" DIAMETER GALVANIZED MAIN TUBE AVAILABLE IN 35', 60' AND 70' LENGTHS.
- * LOW MAINTENANCE/LONG WEAR. ENGINEERED FOR LONG LASTING PERFORMANCE WITH HEAVY-DUTY TWO PLY 15" CRESENT TOP PVC BELTING WITH NYLON SLIDER BACK.
- * BELT LIFE RATED AT 3,000 HOURS.
- * LOW HORSEPOWER-UNIQUE DESIGN. REQUIRES ONLY HALF THE HORSE-POWER OF COMPARABLE LENGTH SCREW CONVEYORS, GREATLY REDUCING ENERGY CONSUMPTION.

ROLL-AWAY HOPPER

WITH FLEX ANGLE



THE ROLL-AWAY HOPPER FROM MAYRATH IS DESIGNED FOR CONVENIENCE AND VERSATILITY. FOR FAST AND CONVENIENT UNLOADING, THE FLEX ANGLE ALLOWS THE INCLINE TUBE TO BE ADJUSTED TO REACH THE APPROPRIATE DISCHARGE HEIGHT. THIS ENABLES THE ROLL-AWAY HOPPER TO BE USED IN VARIOUS APPLICATIONS SUCH AS FEEDING PORTABLE AUGERS, CLEANERS OR ANYTHING TO DO WITH A HIGH INTAKE OR OTHERWISE LIMITED ACCESS. LOW CLEARANCE CAPABILITIES ALLOW FOR EASY PICKUP FROM HORIZONTAL BIN UNLOADERS, GRAVITY WAGONS, HOPPER BOTTOM SEMI-TRUCKS OR OTHER APPLICATIONS. WHEELS FOR THE HOPPER CAN BE POSITIONED ALLOWING FOR SIDE TO SIDE OR FORWARD MOVEMENT. SPECIAL LENGTH INCLINED SECTIONS MAY ALSO BE ORDERED. ALSO AVAILABLE WITH THE 10-1/2" LOW PROFILE HOPPER OPTION.

AVAILABLE IN 8", 10" AND 12" MODELS.

8" = 3,200 BPH, 10" = 4,500 BPH, 12" = 7,000 BPH

MAYRATH TD, TD-PLUS, IN-LINE & SWING-AWAY AUGERS

IN-LINE DRIVE



THE TD & TD-PLUS MAYRATH AUGER LINES OFFER A WIDE RANGE OF MODEL LENGTHS IN PAINTED OR GALVANIZED FINISHES. IN ADDITION THE TD-PLUS GALVANIZED LINE IS LOADED WITH OPTIONAL CHOICES. INTERNAL BEARINGS ON 6, 8 & 10" MODELS, HEAVY GAUGE FLIGHT ON 6, 8 & 10" MODELS, CORN SCREENS AVAILABLE FOR 8 & 10" MODELS. LENGTH FROM 31' TO 71'.

THE MAYRATH IN-LINE DRIVE SERIES COMBINES OPERATIONAL EFFICIENCY WITH LONG TERM DEPENDABILITY PROVIDING YOU WITH A HIGH QUALITY, GALVANIZED AUGER AT A VERY AFFORDABLE PRICE. THE REVOLUTIONARY IN-LINE DRIVE SYSTEM MINIMIZES THE NUMBER OF MOVING PARTS REDUCING DOWN TIME AND MAINTENANCE. THE IN-LINE DRIVER FEATURES AN INTERNALLY MOUNTED GEARBOX INSIDE OF AN EXPANDED, BELL SHAPED TUBE HOUSING. AVAILABLE IN DIAMETERS FROM 6" TO 12" AND LENGTHS FROM 32' TO 82'.

SWING-AWAY



THE MAYRATH SWING-AWAY PORTABLE AUGERS ARE AVAILABLE IN PAINTED OR GALVANIZED FINISHES. (PAINTED AVAILABLE IN 8" & 10" ONLY) THE SWING-AWAY FLEX HOPPER IS SECURED TO EITHER SIDE OF THE MAIN TUBE FOR TRANSPORT. ALL DRIVE COMPONENTS ENCLOSED IN OIL-BATH HOUSINGS. RELIEF DOOR IN SWING OUT HOPPER IS SECURED BY SPRING-LOADED CLIPS TO PROTECT THE MAIN AUGER FROM OVERLOADING. SPINDLE WHEEL HUBS WITH TAPERED BEARINGS PROVIDE SMOOTH, RELIABLE TRANSPORT. CHOICES OF DRIVES ARE INTERNAL GEAR OR HYDRAULIC. SIDE DRIVE ALSO AVAILABLE ON THE 8" & 10" MODELS. AVAILABLE IN 52', 62' & 72' LENGTHS AND 8", 10" & 12" DIAMETERS.

USEFUL FORMULAS AND INFO

ACRES

LENGTH X WIDTH :- 43560
 ONE ACRE = 43,560 SQ FT
 405 HECTARE
 ONE HECTARE = 2.471 ACRES
 ONE GPA = 9.35 LTR P HECTARE
 ONE MILE = 5,280 SQ FT
 1.61 KILOMETERS
 ONE US GALLON = 128 OUNCES
 8 PINTS
 4 QUARTS
 3.79 LITER
 .83 IMP GAL
 .1337 CU FT
 ONE CUBIC FOOT = 7.48 GAL
 ONE LITER = 0.2642 GAL
 ONE IMP GALLON = 1.2 US GALLON
 277.274 CUBIC INCHES

SPRAYING SOLUTIONS OTHER THAN WATER

SINCE ALL TABULATIONS ARE BASED ON SPRAYING WATER, WHICH WEIGHTS 8.34LBS PER US GALLON, CONVERSION FACTORS MUST BE USED WHEN SPRAYING SOLUTIONS WHICH ARE HEAVIER OR LIGHTER THAN WATER. TO DETERMINE THE PROPER NOZZLE SIZE FOR THE SOLUTION TO BE SPRAYED, FIRST MULTIPLY THE DESIRED GPM OR GPA OF SOLUTION BY THE WATER RATE CONVERSION FACTOR. THEN USE THE NEW CONVERTED GPM OR GPA RATE TO SELECT THE PROPER SIZE NOZZLE.

EXAMPLE: DESIRED RATE IS 20 GPA OF 28%N. DETERMINE NOZZLE SIZE AS FOLLOWS:
 GPA(SOLUTION) X CONV FACTOR - GPA
 20 GPA X 1.13 = 22.6 GPA
 THE APPLICATOR WOULD THEN CHOOSE A NOZZLE THAT WILL SUPPLY 22.6 GPA AT THE DESIRED PRESSURE.

GPM = GALLON PER MINUTE
GPA = GALLON PER ACRE
MPH = MILES PER HOUR
W = WIDTH (NOZZLE SPACE INCHES)

ANHYDROUS AMMONIA (NH₃)
POUNDS PER GALLON OF NH₃ = 5.15
POUNDS OF N PER GALLON = 4.22

TANK VOLUMES:

ROUND TANK CAPACITY
 DIAMETER IN INCHES SQUARED X LENGTH OR HEIGHT
 IN INCHES X .0034.
 RECTANGULAR TANK CAPACITY
 LENGTH X WIDTH X HEIGHT (INCHES) :- 231
 GALLONS PER FOOT OF ROUND TANK
 DIAMETER (FT) SQUARED X 5.875

OTHER FORMULAS

CIRCUMFERENCE OF A CIRCLE
 DIAMETER X 3.1416
 AREA OF A CIRCLE
 RADIUS SQUARED X 3.1416
 AREA OF RECTANGLE OR SQUARE
 LENGTH X WIDTH
 AREA OF TRIANGLE
 BASE X HEIGHT :- 2
 VOLUME OF CUBE OR RECTANGLE
 LENGTH X WIDTH X HEIGHT
 VOLUME OF A CYLINDER
 RADIUS SQUARED X 3.1416 X LENGTH
 VOLUME OF SPHERE
 RADIUS CUBED X 4.1888
 VOLUME OF CONE
 RADIUS SQUARED X 1.0472

$$\text{GPM (PER NOZZLE)} = \frac{\text{GPA X MPH X W}}{5940}$$

$$\text{GPA} = \frac{5940 \times \text{GPM (PER NOZZLE)}}{\text{MPH X W}}$$

$$\text{SPEED} = \frac{\text{DISTANCE (FT) X 60}}{\text{TIME (SECONDS) X 88}}$$

WEIGHT OF SOLUTION LBS. PER GALLON	SPECIFIC GRAVITY	CONVERSION FACTOR
7	0.84	0.92
8	0.96	0.98
8.34 (WATER)	1.00	1.00
9	1.08	1.04
10	1.20	1.10
10.65 (28% NITROGEN)	1.28	1.13
11	1.32	1.15
12	1.44	1.20
14	1.68	1.30



INCORPORATED
130 GATEWAY DR
GRAND FORKS, ND 58203

“COUNT ON US FOR SERVICE AFTER THE SALE”

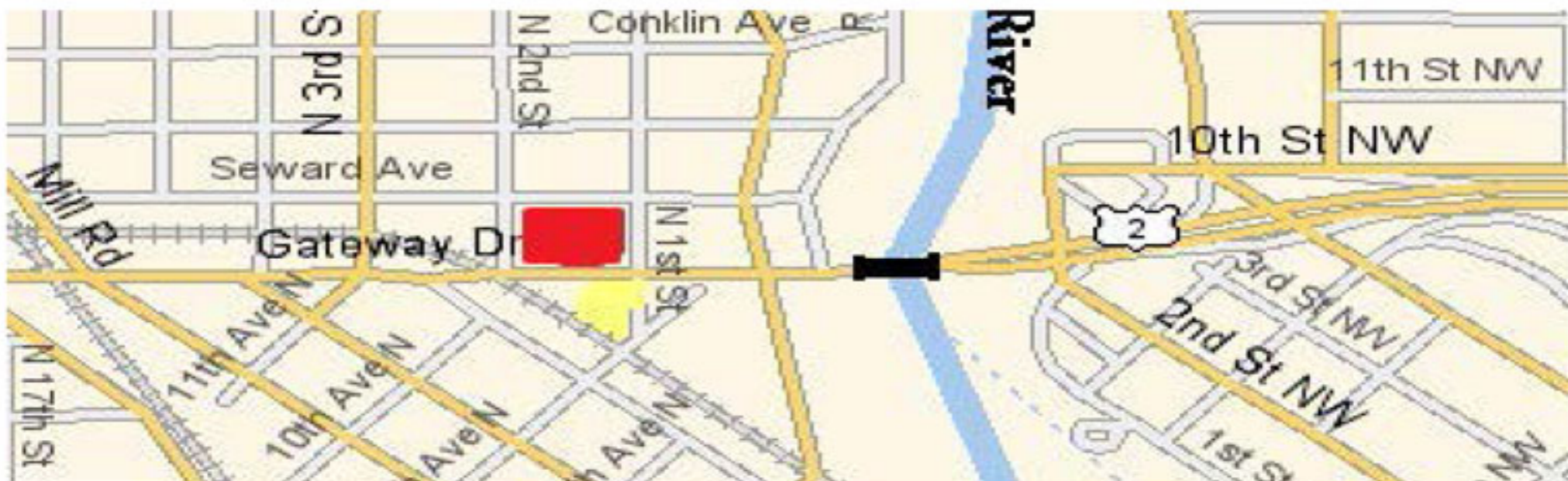
SALES & PARTS 866-775-8089

Local: 701-775-8089

Fax: 701-775-8217

“EVERYTHING YOU NEED FOR FERTILIZER & CHEMICAL APPLICATION”

Web site: www.sprayadvantage.com E-mail: sales@sprayadvantage.com



RED INDICATES LOCATION